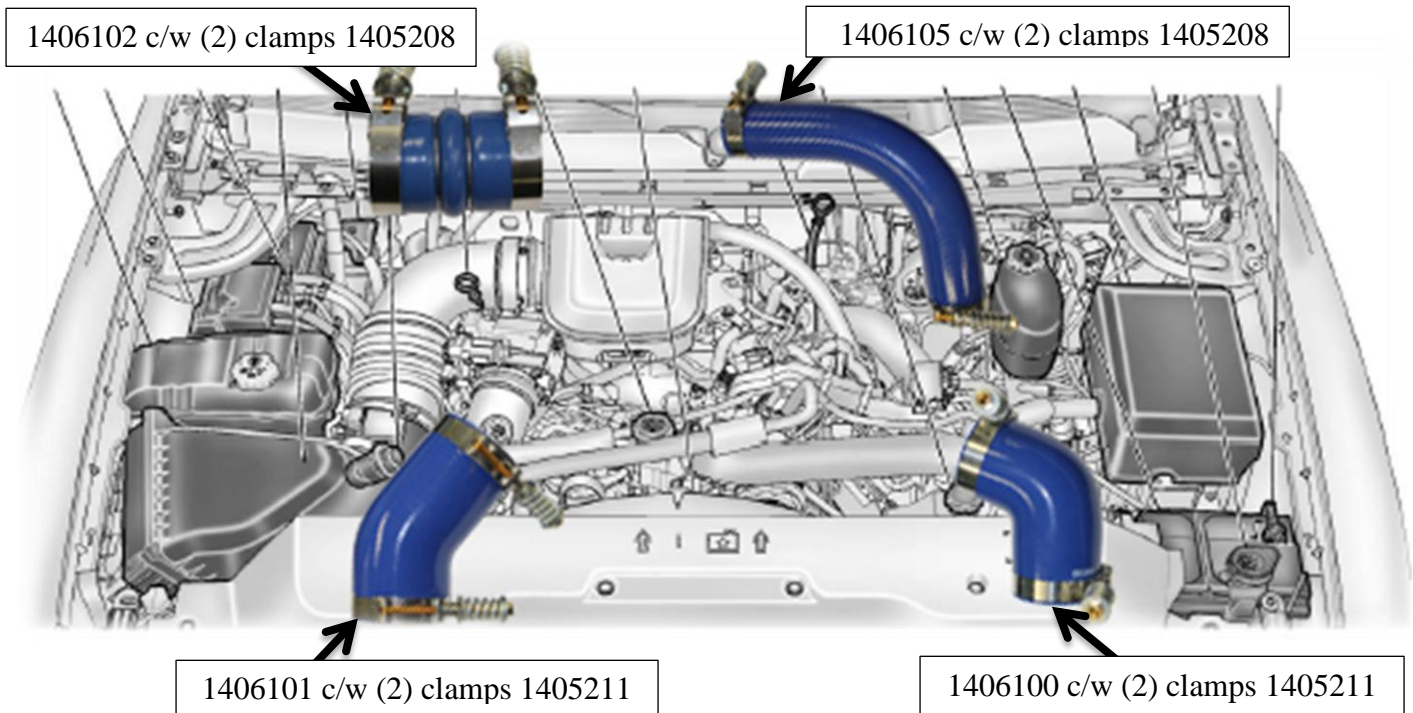


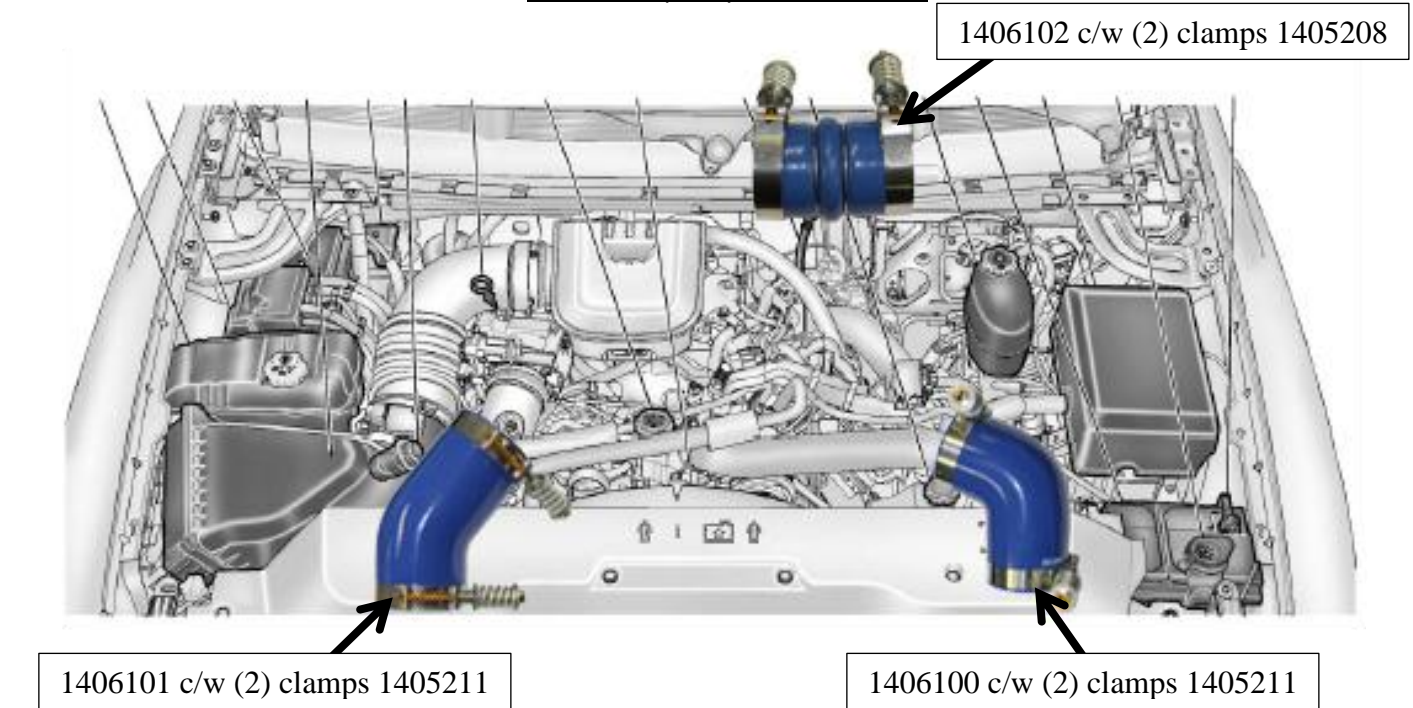
Duramax Boot & Clamp Kit

All supplied boots are of the finest quality in the industry and exceed factory specifications. The silicone boots use a 4/5ply high temperature Nomex fiber for increased high temperature strength and long term durability. All the clamps are made of stainless steel, with the heavy duty clamps providing over 400 lbs of clamp force. **Once clamps are in place tighten all clamps until spring is bound.**

1046275 (LB7) 2001-2004



1046276 (LLY) 2004.5-2005



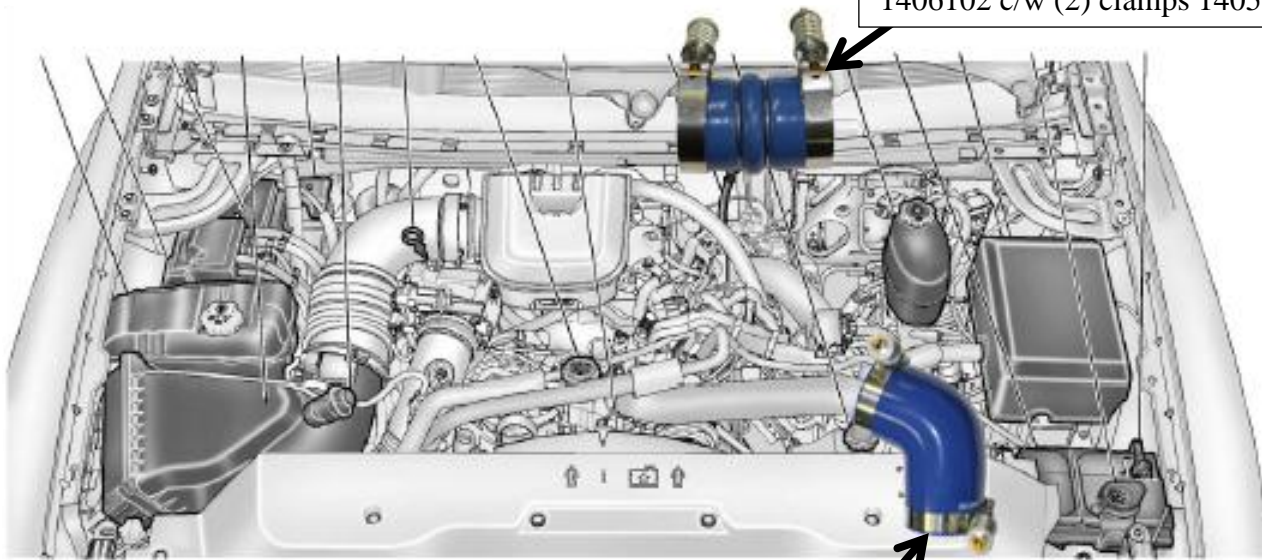
BD Engine Brake Inc.

Plant Address: 33541 MacLure Rd. Abbotsford, BC, Canada V2S 7W2

U.S. Shipping Address: 88-446 Harrison St, Sumas, WA 98295 U.S. Mailing Address: P.O. Box 231, Sumas, WA 98295

Phone: 604-853-6096 | Fax: 604-853-8749 | Internet: www.bd-power.com

1046277 (LBZ) 2006-2009



1406102 c/w (2) clamps 1405208

1406100 c/w (2) clamps 1405211