



**DOWNLOAD THE LATEST  
INSTALL MANUALS AT  
[www.bddiesel.com](http://www.bddiesel.com)**



## **BD Adjustable Track Bar**

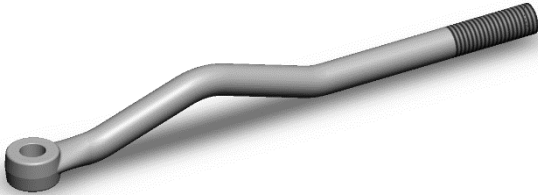
<b>1032013-F</b>	<b>Track Bar Kit 4WD 2500 2003-2013 &amp; 3500 2003-2012</b>
<b>1032018</b>	<b>Track Bar Kit 4WD 2500 2014-2025 &amp; 3500 2013-2025</b>

**PLEASE READ ALL INSTRUCTIONS BEFORE INSTALLATION**


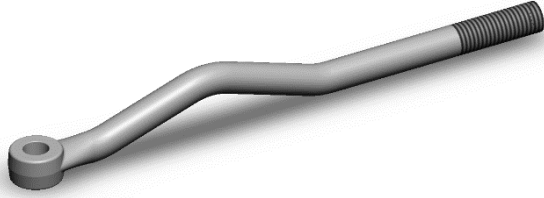

Length adjustment of the BD Track Bar is 39" -41" (bushing center to center)

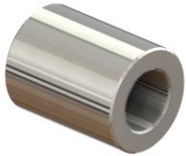
Please check to make sure that you have all the parts listed in this kit

# 1032013-F Kit Contents

1302030-1F	1302030-2F	1302030-4
		
<i>Trackbar, Driver's Side</i>	<i>Trackbar, Passenger's Side (Left Hand Thread)</i>	<i>Threaded Connector</i>
<b>Qty: 1</b>	<b>Qty: 1</b>	<b>Qty: 1</b>
1302031	1302032	1302033-1
		
<i>Jam Nut 1 3/8NF</i>	<i>Jam Nut 1 3/8NF (Left Hand Thread)</i>	<i>Polyurethane Bushing Set (14mm Sleeve inclusive)</i>
<b>Qty: 1</b>	<b>Qty: 1</b>	<b>Qty: 1</b>
1302058 (Sleeves <u>NOT</u> installed on 2003-06 vehicles)		
		
<i>16mm Sleeve</i>		
<b>Qty: 2</b>		

## 1032018 Kit Contents

1302091	1302090	1302030-4
		
<i>Trackbar, Passenger's Side (Left Hand Thread)</i>	<i>Trackbar, Driver's Side</i>	<i>Threaded Connector</i>
<b>Qty: 1</b>	<b>Qty: 1</b>	<b>Qty: 1</b>

1302031	1302032	1302062	1302063
			
<i>Jam Nut 1 3/8NF</i>	<i>Jam Nut 1 3/8NF (Left Hand Thread)</i>	<i>Polyurethane Bushing 95D</i>	<i>Bushing Track Bar Steel</i>
<b>Qty: 1</b>	<b>Qty: 1</b>	<b>Qty: 2</b>	<b>Qty: 2</b>

### ***Factory Replacement Parts (not included)***

#### Part Description

Bolt, Hex Flange Head, M14x2.0x67.5mm (2003-2007)  
 Bolt, Hex Flange Head, M16x2.0x68.5mm (2007-2012)  
 Bolt, Hex Flange Head, M18x1.5x 80mm (2013-2025)  
 Nut and Retainer, Hex Flange Lock M14x2.0 (2003-2007)  
 Nut and Retainer, Hex Flange Lock M16x2.0 (2008-2012)  
 Nut and Retainer, Hex Flange Lock M18x1.5 (2013-2025)

#### Part Number

06503576  
 06508942AA  
 06104301AA  
 06507810AA  
 06510681AA  
 06508827AA

## Welcome

Thank you for purchasing a BD track bar. This manual is divided into different areas to assist you with the installation and operation of your adjustable track bar.

This product is a replacement for the factory track bar. If the securing mounts have any signs of wear they should be fixed before installing the track bar. You will be reusing the factory bolts, if these bolts show any wear, replace them.

Installation should occur on a vehicle properly secured to prevent rolling.

Length adjustment of the BD Track Bar is 39" - 41" (bushing center to center)

Year	Steel Bushing Size
2003-2006	Two 14mm Bushing (Included in 1302033-1 bushing set)
<b>2007-2008</b>	<b>One 14mm sleeve + One 16mm sleeve</b>
2009-2012	Two 16mm sleeves (1302058)
2013-2025	Two 18mm sleeves (1302063)

## Required Tools

- 18mm Socket/Wrench
- 27mm Socket/Wrench
- Tape measure
- 2 1/16" Open End Wrench
- Large Crescent Wrench (>1.5")
- Torque Wrench (>200 lbs-ft)
- Torque wrench (>350 lbs-ft) (For 2013-2025 track)

**INSTALLATION**

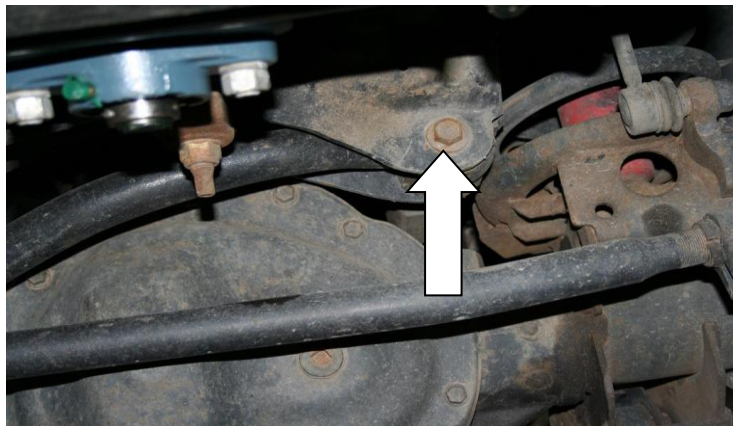
**THIS TRACK BAR SHOULD BE INSTALLED AT A SHOP THAT CAN PERFORM A FRONT-END ALIGNMENT**

Lift and support front of truck. Be sure to block the wheels to prevent the vehicle from rolling, and ensure it is secure before working!

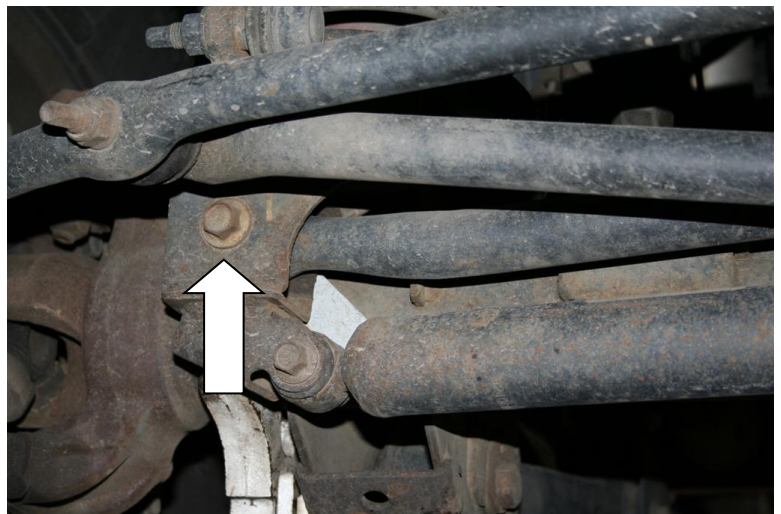
When lifting the truck keep the suspension under tension.



Using an 18mm socket (2003-2012) or 27mm socket (2013-2025) remove the driver's side track-bar bolt. Save the bolt for re-use during installation.



Using the 18mm socket (2003-2012) or 27mm socket (2013-2025) remove the passenger side track-bar bolt. Save the bolt for re-use during installation.



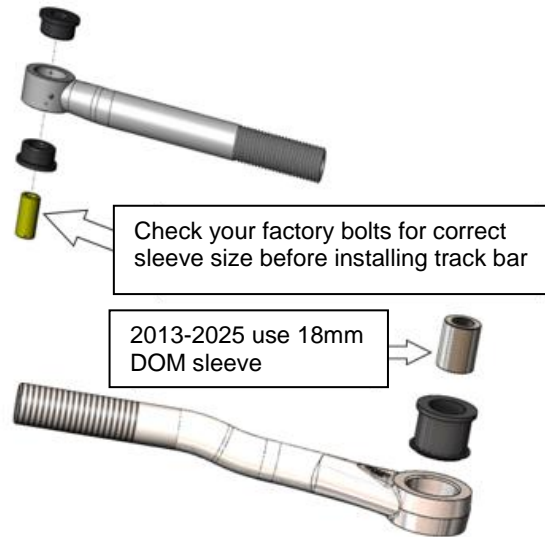
With the factory track bar removed, use a tape measure and measure the length of the factory track bar from the center of the bushing to the center of the bushing.



**Note: The two piece bushing is pre-installed with the 14mm sleeve. Check factory bolt size to see if change to 16mm sleeve is required.**

See table below to determine if bushing swap is required.

Year	Steel Sleeve Size
2003-2006	Two 14mm sleeve installed
2007-2008	One 14mm + One 16mm sleeve
2009-2012	Two 16mm sleeves (1302058)
2013-2025	Two 18mm sleeves (1302063)

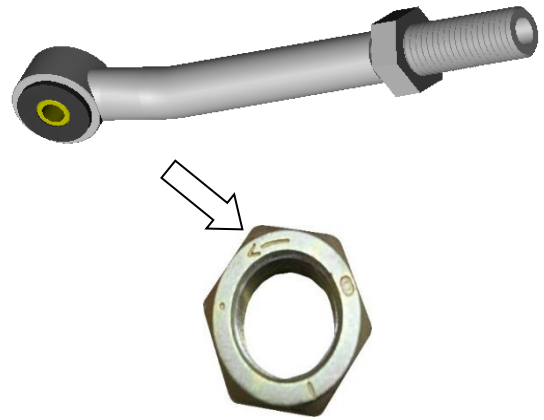


**Important:** If bushing swap not required, skip to next step.

**To swap 14mm sleeve to 16mm sleeve:** Lube the outside and align the 16mm sleeve on top of the 14mm sleeve and tap with a hammer until the 14mm is removed and the 16mm sleeve is completely installed in the bushing.

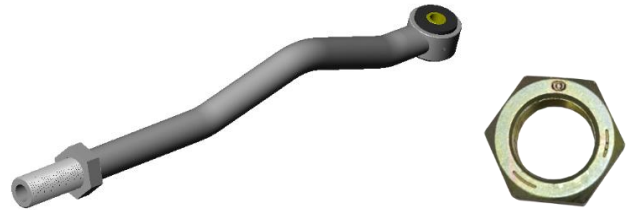


Install the left-hand threaded jam nut (#1302032) on the passenger side track bar section. Thread this all the way to the end. Use a small amount of anti-seize on the threads. The left-hand thread nut will have an arrow on the side face.



Use the right-hand threaded jam nut (#1302031) on the driver's side track bar section. You will need to thread this all the way to the end.

Install a small amount of anti-seize on the threads before threading the nut in place.



Thread the passenger side track bar section into the threaded connector (1302030-4). The passenger side track bar is Left Hand threaded, so you will need to mate these threads to the left-hand thread of the connector. The left-handed threads should be identified with an "LH".



Thread the driver's side section of the track bar into the threaded connector.

Make sure there is an equal number of threads shown on each side of the threaded connector.

For example only, if you have  $\frac{1}{2}$ " of thread showing on the passenger side of the threaded connector you should also have  $\frac{1}{2}$ " showing on the driver's side of the threaded connector.

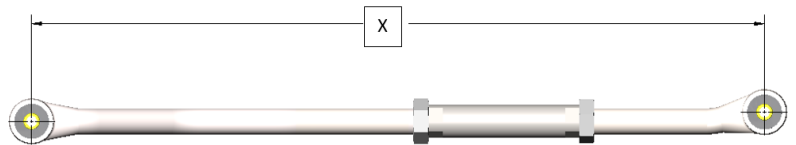
**Note: Do not expose more than 2" of thread from either side of the threaded connector**



Adjust the track bar to match the length of the OEM track bar, and snug jam nuts

Note: for lifted applications, the length can be adjusted after installation.

X = OEM length



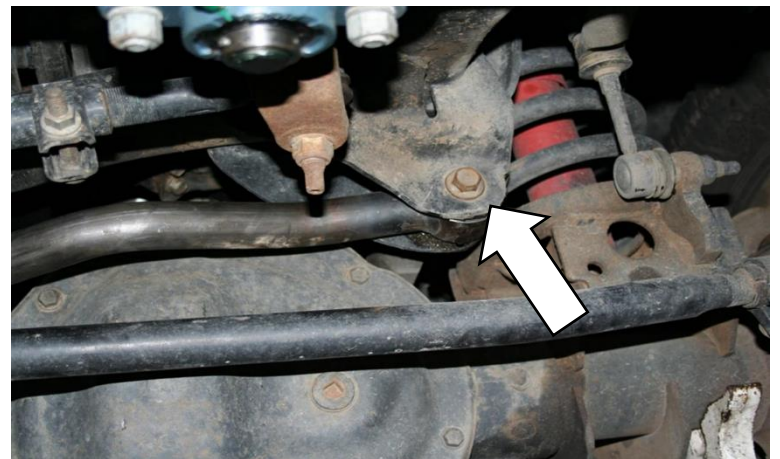
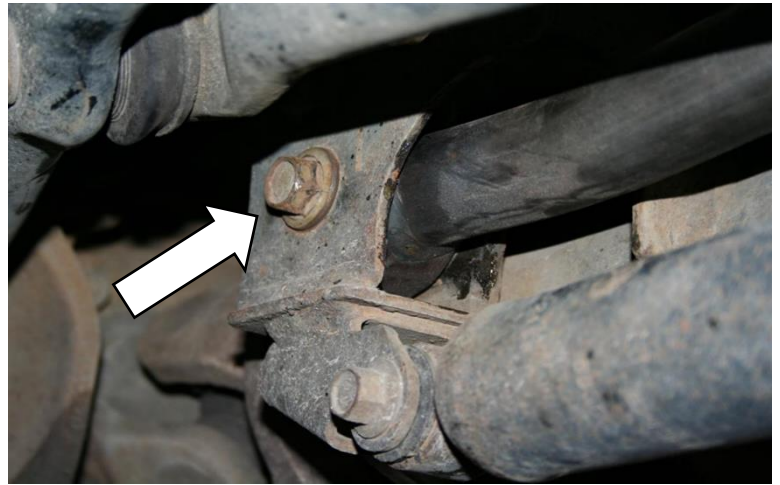
SUGGESTED LENGTH		
2003-2025	Length	Lift
<b>OEM</b>	<b>38.88"</b>	<b>0"</b>
<b>Leveled</b>	<b>39"</b>	<b>2.5"</b>
<b>Lifted</b>	<b>39.25"</b>	<b>4.5"</b>

Now you can install the track bar into the truck. You will need to reuse the factory hardware.

### Torque Specification

Year Range	Bolt size	Ft*lbs
2003-2007	14mm	150 ft-lb
2007-2013	16mm	221 ft-lb
2013-2025	18mm	324 ft-lb

**Note: 2007 vehicles use 14mm or 16mm & 2013 2500 uses 16mm.**



If required perform an alignment on the front end of the vehicle. Adjust the front axle left and right by turning the threaded connector.

The shorter you make the track bar the more it will pull the front axle towards the driver's side. And vice versa.

Once the alignment is complete, torque the jam nuts to spec.  
**Torque spec: 225 ft lbs**



Replacement Bushing Kits	
1302033-1	1302038
	
1032011-F/1032013-F Bushing Kit	2013-2025 Bushing Kit
<b>Qty: 1</b>	<b>Qty: 1</b>



**DO NOT DRIVE THE VEHICLE WITHOUT COMPLETING A PROPER ALIGNMENT.**

**If you have any technical difficulties please phone our Technical Support hotline at (800) 887-5030 between 8:30am-5:00pm PST (Pacific Standard Time) Monday to Friday.**