



***DOWNLOAD COLOUR
INSTALL MANUALS AT
www.bddiesel.com***



Ford 6.2L Exhaust Manifolds

1043055	Ford 6.2L Full Exhaust Manifold kit
1043056	Ford 6.2L Passenger's Exhaust Manifold Kit
1043057	Ford 6.2L Driver's Exhaust Manifold Kit

Kit Contents

1043055 Kit Contents		
1403056	1403057	
		
Passenger's Side Manifold	Driver's Side Manifold	
Qty: 1	Qty: 1	
1403055	1405937	FT-90702
		
Exhaust Gasket	Spacer	Nut; M10x1.5 Flange
Qty: 4	Qty: 16	Qty: 4
1453055	1403019	
		
Fastener Kit	M10x1.5 Stud	
Qty: 2	Qty: 4	






1043056 Kit Contents

1403056



Passenger's Side Manifold

Qty: 1

<p>1403055</p> 	<p>1405937</p> 	<p>FT-90702</p> 
<p>Exhaust Gasket Qty: 2</p>	<p>Spacer Qty: 8</p>	<p>Nut; M10x1.5 Flange Qty: 2</p>
<p>1453055</p> 	<p>1403019</p> 	
<p>Fastener Kit Qty: 1</p>	<p>M10x1.5 Stud Qty: 2</p>	

1043057 Kit Contents

1403057



Driver's Side Manifold

Qty: 1

1403055



Exhaust Gasket

Qty: 1

1405937



Spacer

Qty: 8

FT-90702



Nut; M10x1.5 Flange

Qty: 2

1453055



Fastener Kit

Qty: 1

1403019



M10x1.5 Stud

Qty: 2

Below table contains contents of fastener kit found in above kits.

1453055 Fastener Kit Table

M10-1.25x60 Bolt



Qty: 8

M6-1.0x12 Bolt



Qty: 2

Table of Contents

Kit Contents..... 2

Table of Contents..... 4

Introduction 5

Tools Required for Installation 5

Removal 5

Installation 13

Introduction

BD Diesel’s Ford 6.2L Exhaust Manifold kit is a direct replacement for the OEM Ford manifold. BD Diesel’s manifolds are designed with thicker walls to reduce the risk of warping and cracking. Additionally, these manifolds are redesigned to have moderately increased flow.

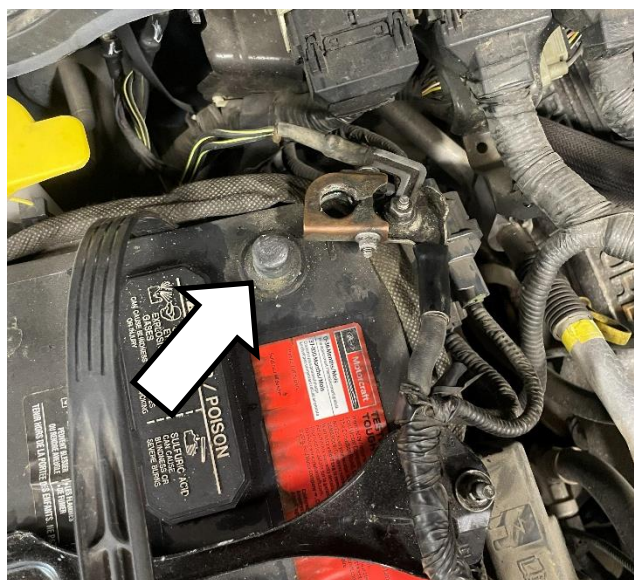
This kit contains the manifolds, x8 spacers per side, x8 bolts per side, and x2 gaskets per side.

Tools Required for Installation

- Torque Wrench
- Electric Impact
- Small Pry Bar
- Socket Set

Removal

Disconnect the vehicle battery before removal for safety.



Place vehicle on a lift or hoist.

Remove all lug nuts from the front wheels and remove both front wheels.



Disconnect unclip the fender trim clip from the front fender splash shield.



Remove the x3 inner fender splash shield bolts.

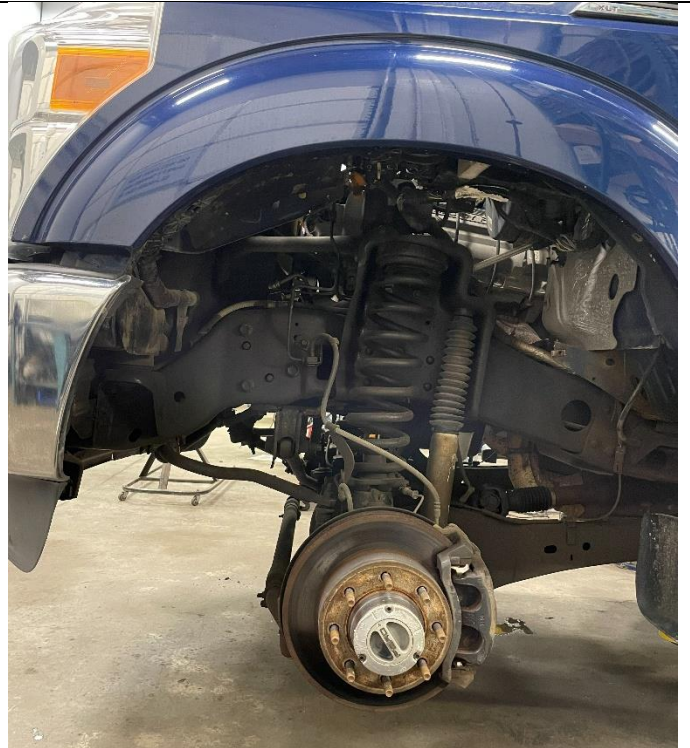


Pull the splash shield downward off of the christmas tree clip.



Remove the splash/shield fender bolts and remove the splash shield.

Note: For passenger- or both-side kits, repeat removal steps on the passenger side to remove the passenger fender splash shield.



Optional Step: Removing the steering shaft will allow for better access to the driver's side manifold, but it is not necessary.

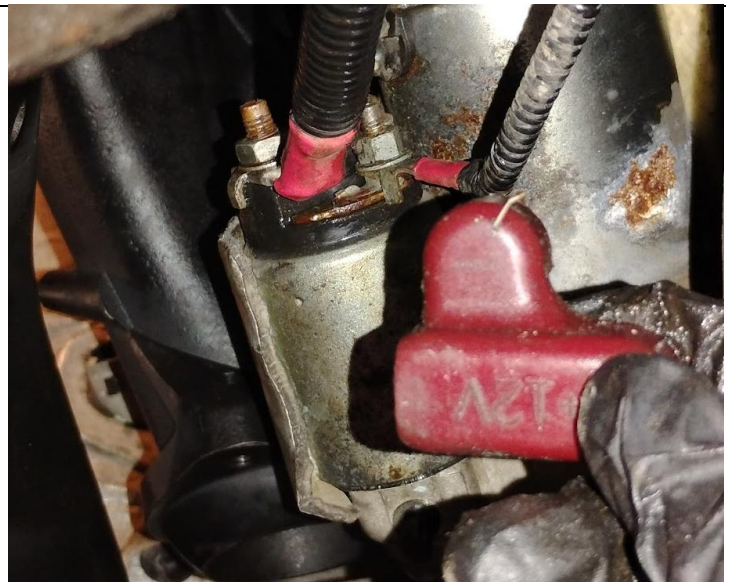
Warning! Do not allow the steering column shaft to rotate while the intermediate shaft is disconnected or damage to the clockspring can result.

Remove the upper steering column shaft-to-steering column bolt and disconnect the upper steering column.



Optional Step: Removing the starter will make accessing the passenger's side manifold easier, but it is not necessary.

To remove the starter, start by disconnecting the starter terminal cover.



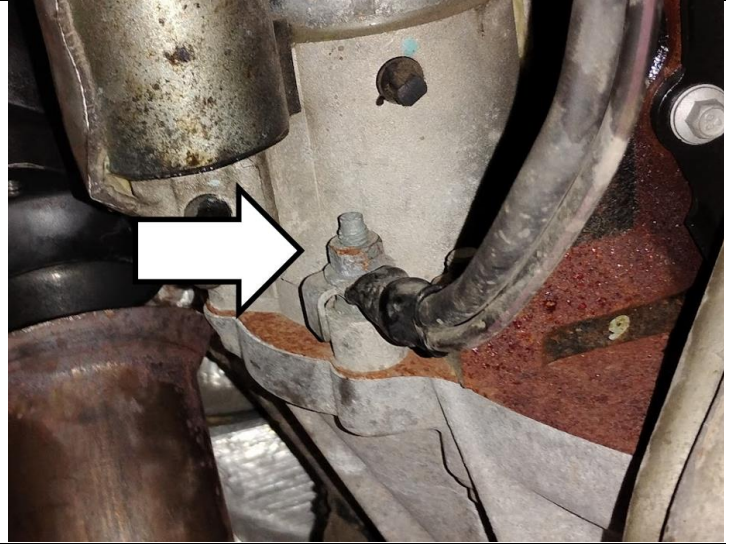
Remove the starter terminal cover and remove the nut and solenoid S-terminal electrical connection.



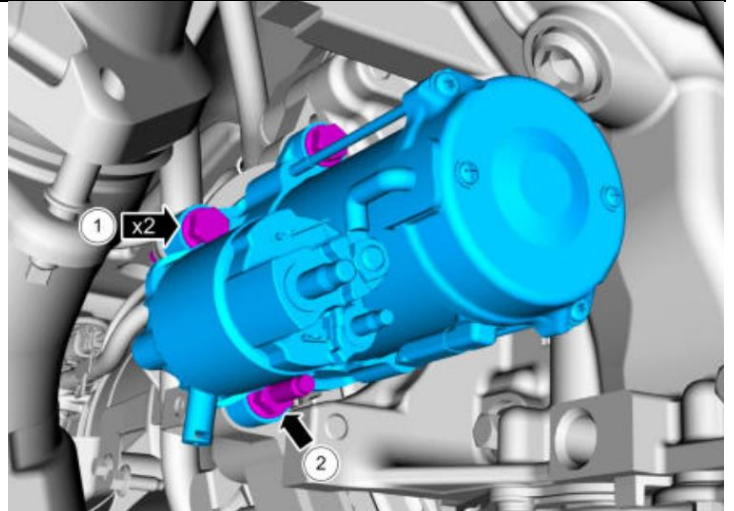
Remove the nut and the solenoid B-terminal electrical connection.



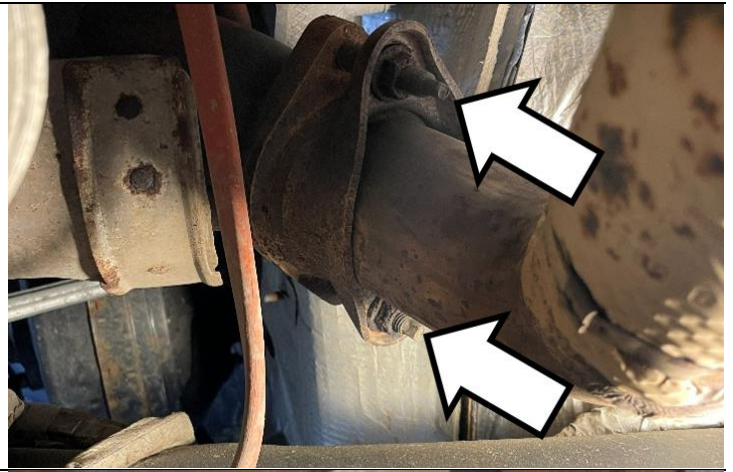
Remove the starter motor ground cable nut and disconnect the ground cable connection.



Remove the x2 starter motor mounting bolts (1), the starter motor mounting stud and bolt (2), and the starter motor.



Remove the x4 exhaust manifold-to-catalytic converter nuts (x2 driver's side and x2 passenger's side).



Optional Step: Removing the collector from the front exhaust hanger may help with removing the manifold.

To remove the hanger, pry it backwards out of the isolator as shown.



Passenger or both-side kits only:

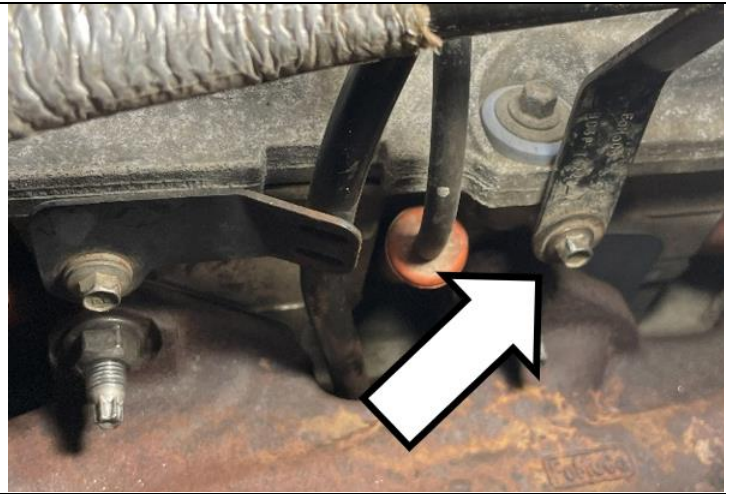
Remove the bolt for the transmission dipstick tube from the transmission.



Passenger or both-side kits only:

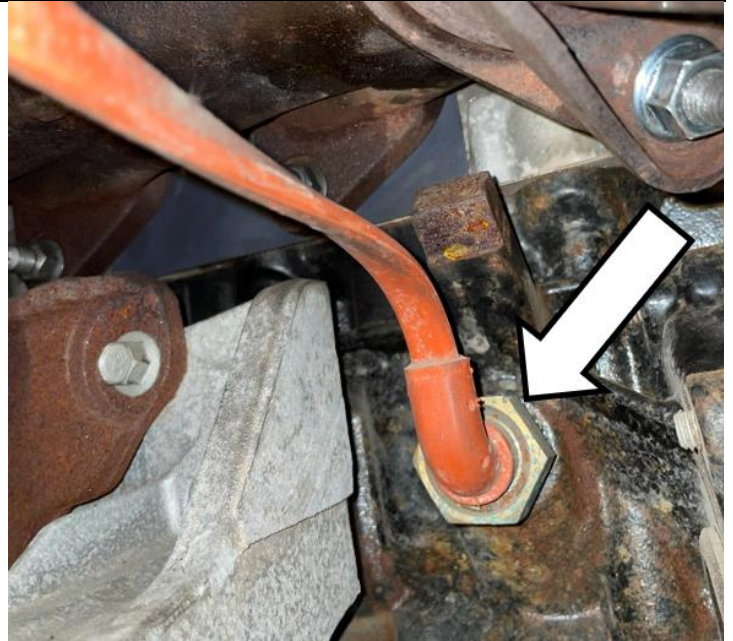
Remove the bolt for the transmission dipstick tube from the engine. Remove the dipstick tube.

Place a cap or stopper in the hole to prevent dirt from entering the transmission.



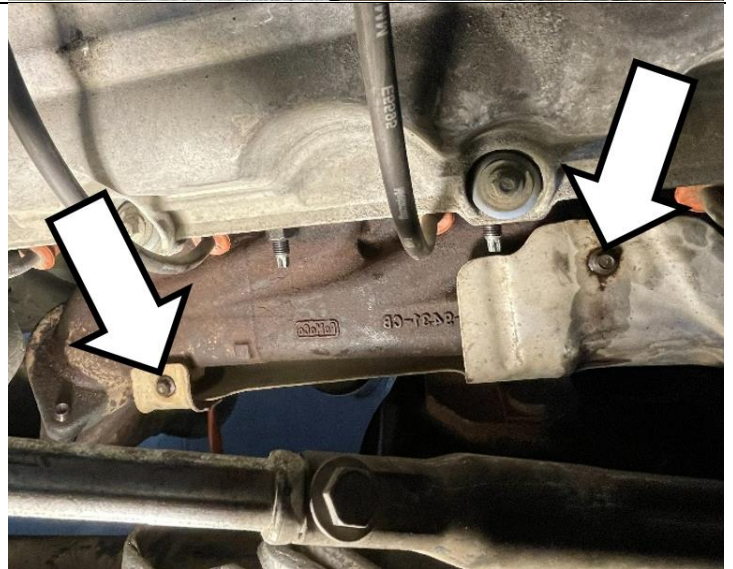
Optional Step: Removing the engine block heater will allow for easier access to the driver's side manifold.

If equipped with an engine block heater, disconnect the engine block heater electrical connector and position the wiring harness aside.



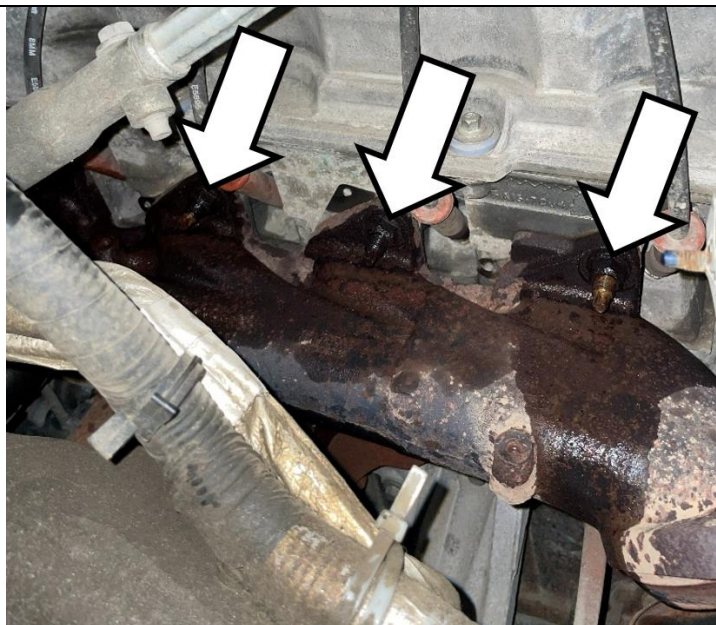
On the driver's side, remove the x2 bolts that hold the exhaust heat shield and remove the heat shield.

Note: For passenger- or both-side kits, repeat steps on the passenger side to remove the passenger heat shield.



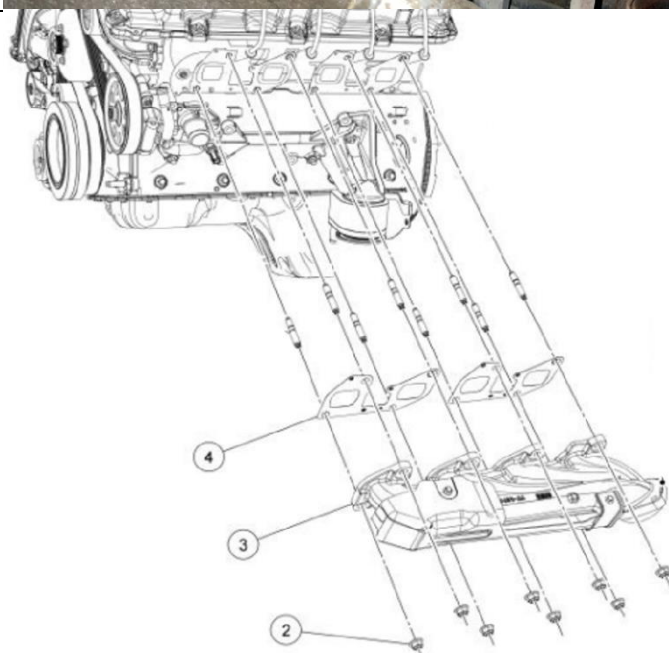
On the driver's side, spray the studs and nuts with penetrating fluid.

Note: For passenger- or both-side kits, perform this step on the passenger side.



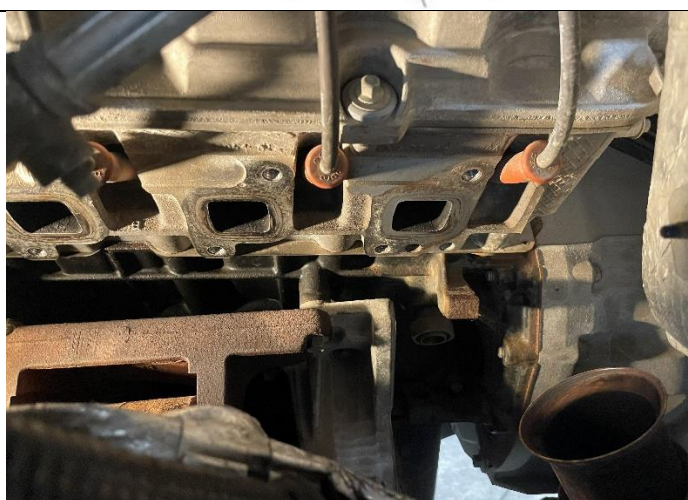
Remove the x8 exhaust manifold nuts, the x8 studs, the manifold, and the x2 gaskets.

Note: For passenger- or both-side kits, repeat steps on the passenger side to remove the passenger-side manifold.



Inspect the sealing surfaces. Clean the sealing surfaces with a plastic scraper.

Warning! Cleaning sealing surfaces with abrasive tools may result in scratches and leaks.

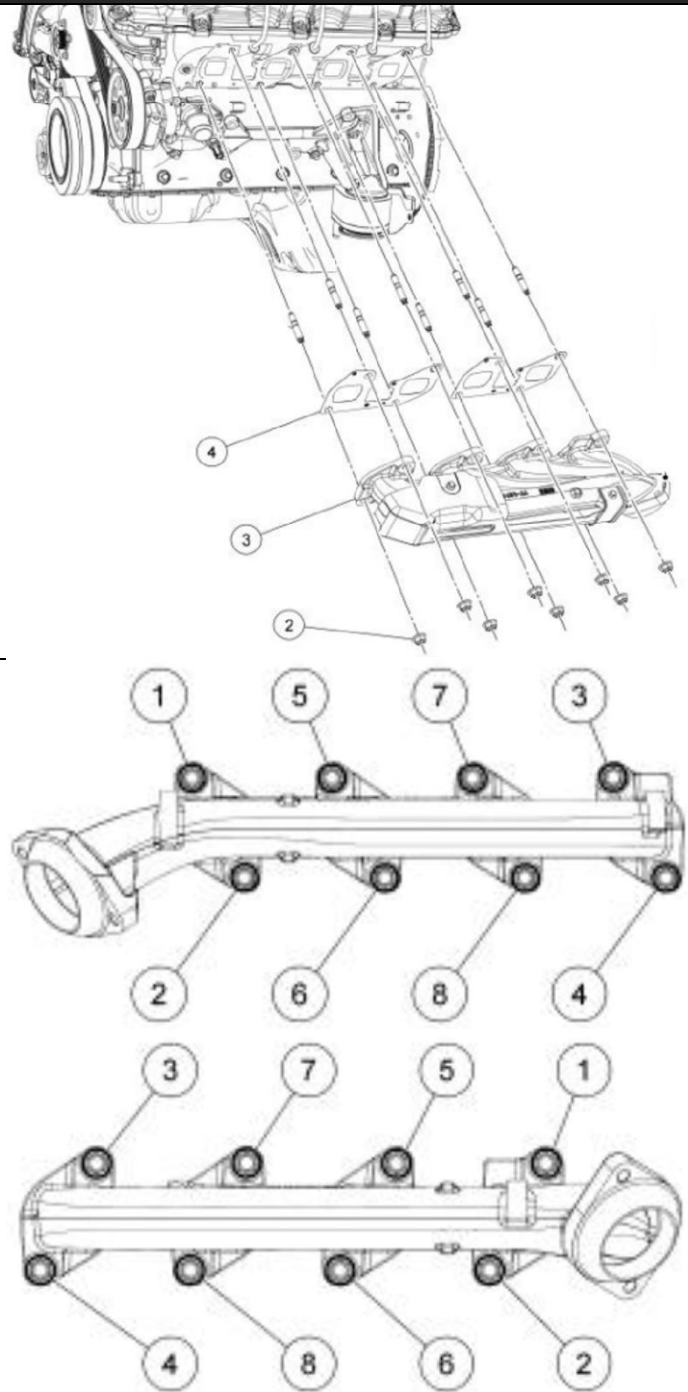


Discard all exhaust manifold gaskets, studs, and nuts.

Installation

On the driver's side, use x2 new gaskets and position the gaskets and manifold.

Note: For passenger- or both-side kits, repeat steps on the passenger side to install the passenger-side manifold.



Install the x8 spacers and bolts. Torque to **25 Nm (18 lb-ft)** in the sequence shown.

Top – passenger side

Bottom – driver side

Now torque again to **32 Nm (24 lb-ft)** following the same tightening sequence.

Top – driver side

Bottom – passenger side



Driver or both-side kits only:

Using a pair of tin snips, remove a small amount of material from the driver's side heat shield where shown. This is needed to clear the new header bolts.



Position the passenger and/or driver side exhaust manifold heat shield and install the x2 bolts.

Torque to **12 Nm (106 lb-in)**.



Passenger or both-side kits only:

Reinstall the transmission dipstick and fasten it to the transmission case.

Torque to **25 Nm (18 lb-ft)**

**Passenger or both-side kits only:**

Fasten the transmission dipstick bracket to the engine block.

Torque to **11 Nm (97 lb-in)**

**If block heater was removed:**

Position the engine block heater wiring harness and connect the electrical connector.



Install the x4 studs into the manifolds
(x2 on either side).

Torque to 40 Nm (30 ft-lb).



If exhaust hanger was removed:

Install the exhaust hanger back into the
isolator using a prybar.



Install the x4 exhaust pipe flange nuts
(x2 on either side).

Torque to 40 Nm (30 lb-ft).



If steering shaft was disconnected:

Connect the upper steering column
shaft to the steering column and install
a new upper steering column shaft-to-
steering column bolt.

Torque to 28 Nm (21 lb-ft).



If starter was removed:

To install the starter, position the starter motor and loosely install the 2 bolts and the stud bolt.



Tighten the upper starter bolt before tightening the lower fasteners.

Torque to **25 Nm (18 lb-ft)**.



Connect the ground cable to the starter and install the starter motor ground cable nut.

Torque to **25 Nm (18 ft-lb)**.



Install the solenoid B-terminal electrical connection and nut.

Torque to **12 Nm (106 lb-in)**.



Connect the solenoid S-terminal electrical connection and nut.

Torque to **5 Nm (44 lb-in)**.



Install the starter terminal cover.



Note: The passenger side splash shield installation is shown below. Steps and quantities are identical for the driver's side.

Position the fender splash shield.

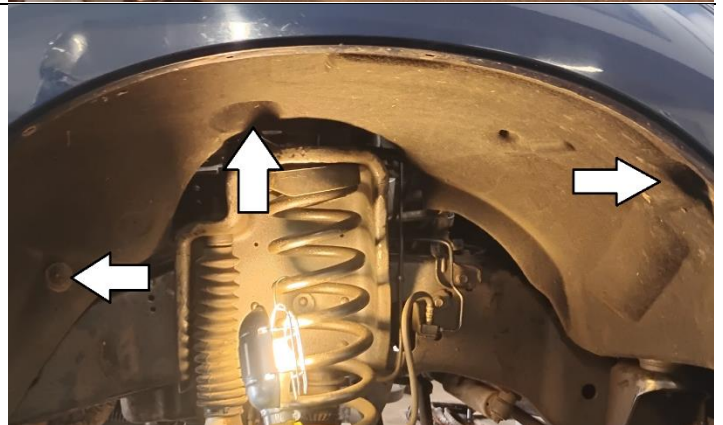
Ensure the plastic trim at the front is over top of the splash shield. Push the front clip into the splash shield.

Pull the top Christmas tree clip through the splash shield.



Install the x3 inner fender splash shield bolts.

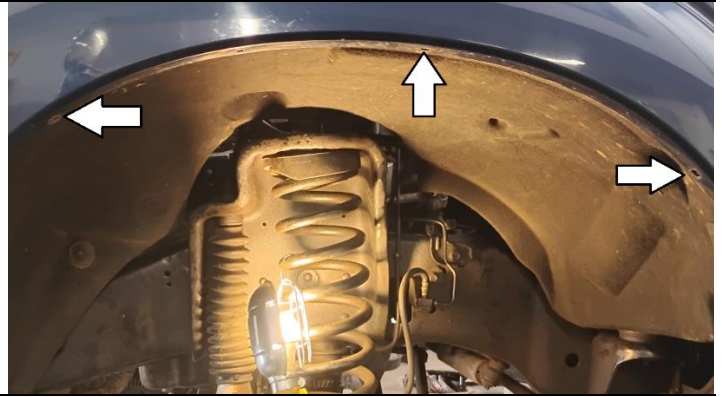
Torque to **9 Nm (80 lb-in)**.



Install the 2x mud guard bolts.
Tighten until snug.



Install the fender/ splash shield fasteners. Tighten until snug.



If you have a driver- or both-sides kit, perform the above steps to install the driver's side splash shield.

Install both front wheels and all lug nuts until snug.



Lower vehicle. Torque lug nuts in a star or cross pattern.

Torque Spec: **224 Nm (165 lb-ft)**



Reconnect the negative battery terminal.

