



SHOP CATEGORIES

WHY S&B

SHOP BY VEHICLE



0

# INSTALL INSTRUCTIONS FOR 83-2014



PRINT

## BEFORE YOU START

### VEHICLE FITMENT:

2008-2010 Ford 6.4L Powerstroke

### DEVICE NAME: Intercooler Boots

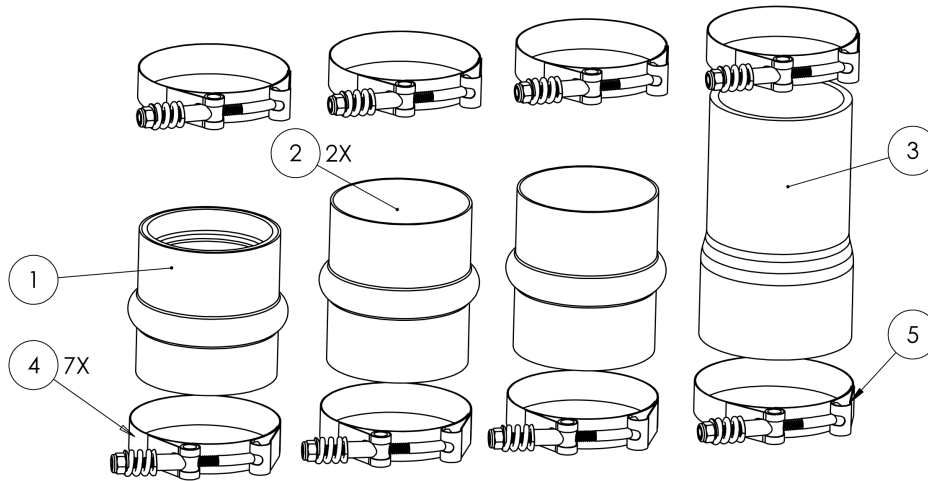
Please read the entire product guide before proceeding. Ensure all parts are present. If you are missing any of the components, call our customer support at (909) 947-0015. Do not work on your vehicle while the engine is hot. Make sure the engine is turned off and the vehicle is in Park or the Parking Brake is set.

## REQUIRED TOOLS

11mm Deep Socket, torque wrench Flat Blade Screwdriver, P

Note: Approximate Install Time: 2 Hr 00 Mins.

Cookie Preferences



ITEM NO.	PART NUMBER	DESCRIPTION	QTY.
1	AI3467-00	Boot, 3.0" ID x 3.6" Long, Hump w/ Inner Bead	1
2	AI2697-00	Boot, 3.0"ID x 4.0" Long, Hump w/ Inner Bead	2
3	AI2695-00	Boot, Straight, Reducer, 3.125" ID x 2.875" ID x 6.0" Long	1
4	AG1053-00	T-Bolt Hose Clamp, Spring Loaded, 79-87mm, 300 Series	7
5	AG1060-00	T-bolt Hose Clamp, spring loaded, 3.38" in to 3.69"	1

## STEP 1

Disconnect Battery.  
 Disconnect the negative battery cable by loosening the terminal clamp and removing it from the battery post.

Cookie Preferences

Tool Needed: 10mm Wrench  
or Socket.



## STEP 2

Loosen the hot side t-bolt  
clamps and remove the  
factory boots. (passenger  
side)



## STEP 3

Using a screwdriver can help  
break the coupler away from  
the intercooler pipe



## STEP 4

Before installing the S&B boots, clean off the intercooler and manifold.

## STEP 5

Install AI3467-00 onto to intercooler pipe/intake manifold. The bead indexes into the intercooler pipe and the shorter side goes onto the manifold.

## STEP 6

Install AI2695-00 onto the intercooler & pipe. The

[Cookie Preferences](#)

groove goes onto the intercooler pipe.

## **STEP 7**

Break the t-bolt clamps apart and install around both the upper and lower hot side boots. Torque to 60 in/lbs and make sure the t-bolt clamp is around the groove on the pipe side. The t-bolt camps should be pointing higher on the intercooler side to prevent the clamps from hitting the hood.

## STEP 8

Loosen the cold side t-bolts and remove the boots. Again using a flathead if necessary.

## STEP 9

Clean off the oil from the surfaces. We used brakleen

## STEP 10

Install the S&B boots onto the upper side of the cold side intercooler pipe with the bead into the groove on the pipe. Install the t-bolt clamps onto the pipe and torque to 60 in/lbs

[Cookie Preferences](#)

## **STEP 11**

Remove the lower intercooler boot. Oil may have pooled up in this boot. Wear eye protection.

## STEP 12

Clean off the surface off the surfaces of the pipe and intercooler flange

## STEP 13

Install the long S&B boot with the bead indexing into the intercooler pipe groove. The bigger side of the boot goes onto the intercooler side. The bigger t-bolt clamp goes onto the intercooler flange side. Break free the t-bolt clamps then torque to 60 in/lbs

## **FINAL CHECKLIST**

Reconnect the battery.  
Confirm each clamp has been  
torqued and check for hood  
clearance on the front  
intercooler boot

Cookie Preferences