

Can-Am Outlander 1000/850 Frame Stiffener FS-C10L-01 (79-84412)



HL

HIGHLIFTER

SEIZMIK™

FALCON RIDGE

**SNORKEL
YOUR ATV**

SYSTEM 3
OFF-ROAD
Traction. Strength. Style.

EPI
PERFORMANCE

✉ sales@highlifter.com
☎ 800-699-0947 | 8:00am - 5:00pm CST
📍 7455 Atkinson Drive, Shreveport, LA 71129



www.highlifter.com

Parts Available For These Popular Brands and Others

POLARIS

can-am



HONDA

Kawasaki

YAMAHA

READ BEFORE INSTALLATION:

This product is designed for use on ATVs and/or RUVs to increase ground clearance and fender clearance. Purchasers should be aware that use of this product may increase the frequency of required maintenance, part wear, and will raise the center of gravity on your ATV and/or RUV, increasing risk of roll-over, injury and death on all types of terrain. It is your responsibility to always inform other operators and passengers of this vehicle about the added risks.

High Lifter Products, products are designed to best fit users ATV/RUV under stock conditions. Adding, modifying, or fabricating any OEM or aftermarket parts will void warranty. High Lifter Products, products could interfere with other aftermarket accessories. If the user has aftermarket products on machine, contact High Lifter Products to verify that they will work together. Adding aftermarket suspension components and/or more aggressive tires can cause breakage of other OEM driveline components such as differentials, axles or drive shafts.

We recommend that wider tires and/or wheel spacers be used to achieve a wider stance and to improve stability of the ATV and/or RUV. Riders should be advised that the handling characteristics of a taller ATV and/or RUV are different and require extra care when riding, particularly on side hills or off-camber situations. If you further raise the center of gravity by adding taller tires, heavy loads to racks or seats, or by any other means, the ATV and/or RUV must be operated with even more care, at slower speeds and on relatively flat ground. All turns should be done at a slow speed, even on level ground.

Operation of an ATV and/or RUV with or without modified suspension components, while or shortly after consuming alcohol or drugs, subjects the rider to the risk of serious bodily harm or possible death. This risk is compounded if the rider does not wear an approved helmet and other safety gear. High Lifter urges that all approved safety gear be worn when riding an ATV and/or RUV as a driver or passenger.

By purchasing and installing High Lifter Products, products, user agrees that should damages occur, High Lifter Products will not be held responsible for loss of time, use, labor fees, replacement parts, or freight charges. High Lifter Products will not be held responsible for any direct, indirect, incidental, special, or consequential damages that result from any product purchased from High Lifter Products. The total liability of seller to user for all damages, losses, and causes of action, shall not exceed the total purchase price paid for the product that gives rise to the claim.

If this product is not what you expected, or is not consistent with your intended use, you should return the product immediately to the seller, before installation, for a refund of the purchase price; less any fees. After installation, product is warranted for 90 days for defects in workmanship and materials. High Lifter Products will warranty only parts provided by High Lifter Products. Any damage or problems with OEM housings, bearings, seals, or other manufacturer's products will not be covered by High Lifter Products. Parts and products will not be warranted if item was not installed properly, misused, or modified.

DEALERS AND OTHER INSTALLERS:

You are responsible for informing your customer and end user of the information contained above and the increased potential hazards of operating an ATV and/or RUV equipped with modified suspension components. If you install any suspension modifying components, it is your responsibility to also install the warning label prominently in view of the driver and in prominent view of the driver and passenger on RUVs and multi-passenger ATVs. They should also be instructed to notify anyone operating the vehicle, as well as any passengers, that said vehicle is modified.

As discussed above, it is critically important that they be instructed in the need for slower speed operation, regardless of terrain, after this kit is installed.

HIGHLIFTER

79-84347-B1
Upper Rear Stiffener
(1ea)



79-84349-B1
Front Main Stiffener
(1ea)

79-84348-B1
Front Upper Stiffener
(1ea)

54-96461
Push Mount Cable Ties
(2ea)



79-84345-B1
Left Upper Bracket
(1ea)



79-84346-B1
Right Upper Bracket
(1ea)



54-61026
Flat Washer
(2ea)



54-61038
Lock Nut
(2ea)

NOTE: This kit was installed in conjunction with the High Lifter Rear Racked Arched Control Arm kit and will work with factory arms.

TOOLS AND SUPPLIES NEEDED

1

IMPORTANT SAFETY NOTICE

Work on a flat, solid surface.

Read all instructions before starting.

If you are not comfortable performing this work, have a qualified technician install the kit.

Do not install this kit on a frame that is cracked, bent, rusted, or previously repaired unless explicitly approved by the manufacturer.

Tools Needed

- Jack and quality jack stands
- Wheel chocks
- Basic hand tools
- Rivet removal tool or drill
- Torque wrench
- Zip ties (included in kit)
- Safety glasses and gloves

REMOVING FRONT STOCK COMPONENTS

2



1. Park the ATV on a flat surface.
2. Place the transmission in Park.
3. Set the parking brake.
4. Chock the rear wheels.
5. Lift the ATV and secure it on jack stands.
6. The ATV must be stable before you begin.
7. If it can move, stop and fix it.

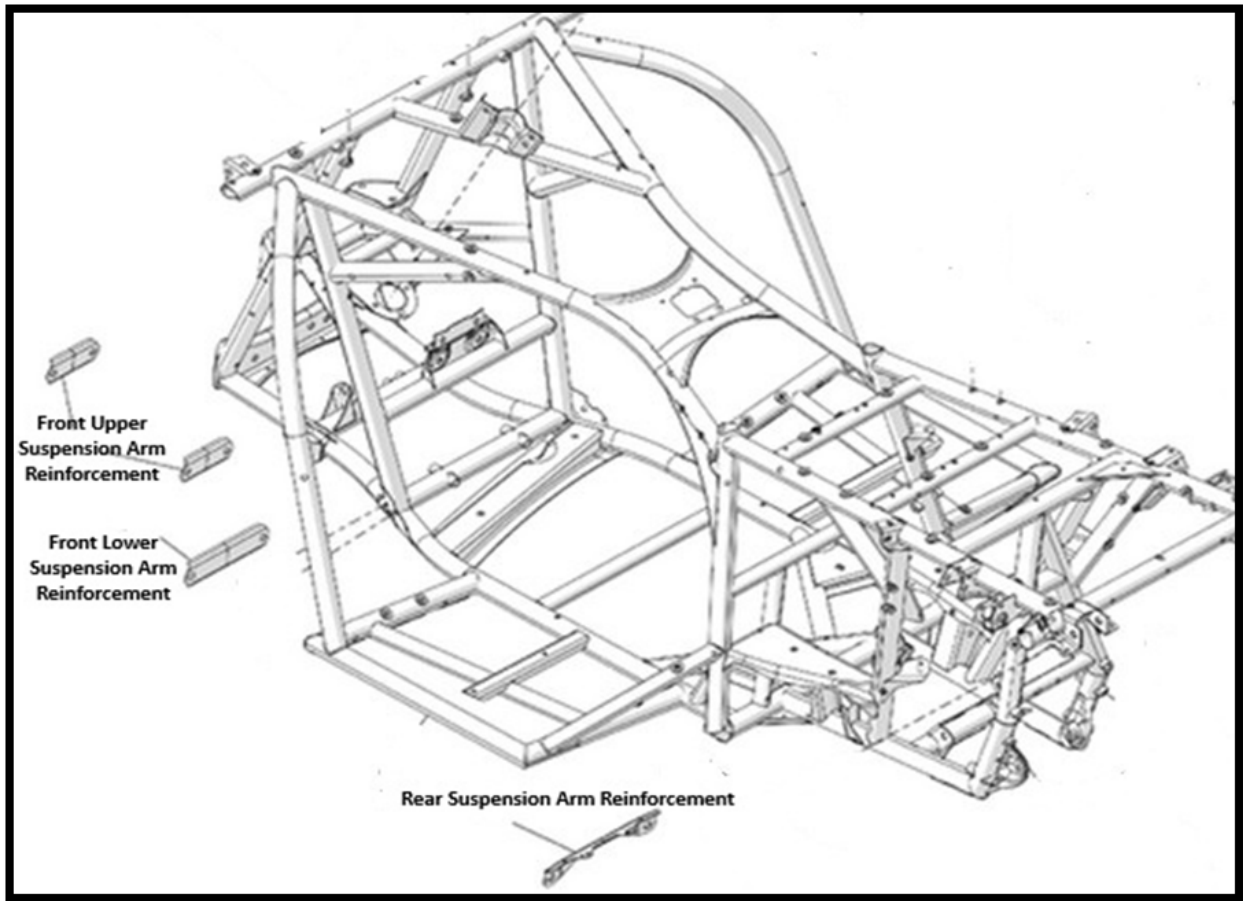


2.1

REMOVE FRONT WHEELS AND FACTORY FRONT COMPONENTS

1. Remove both front wheels.
2. Set wheels and lug nuts aside.
3. Front Upper Suspension Arm Reinforcement – Bracket 1
4. Front Upper Suspension Arm Reinforcement – Bracket 2
5. Front Lower Suspension Arm Reinforcement

REMOVING FRONT STOCK COMPONENTS



INSTALL NEW FRONT REINFORCEMENT BRACKET

3



1. Position the new front upper reinforcement bracket where the factory front upper bracket was located. This would be the control arm mounting location that is at the front of the ATV. It will extend and utilize four mounting points verses the original that only used two.
2. **This single bracket replaces:** Front Upper Suspension Arm Reinforcement
3. Align the bracket with factory mounting bolts.
4. Fasten with the provided 10mm flat washers and 10mm locking nuts.
5. For the connecting points at the top, fasten to the sway bar mounting brackets utilizing the factory hardware.
6. Tighten all hardware snug, then torque to OEM specifications

INSTALL NEW FRONT REINFORCEMENT BRACKET



3.1



Locate the Front Main bracket

1. Assemble the bracket into place using the factory hardware
2. Loosely tighten hardware until all is in place.
3. Then tighten all fasteners per OEM specifications.



INSTALL NEW FRONT REINFORCEMENT BRACKET

3.2

1. Reinstall both front wheels.
2. Torque lug nuts to factory specifications.

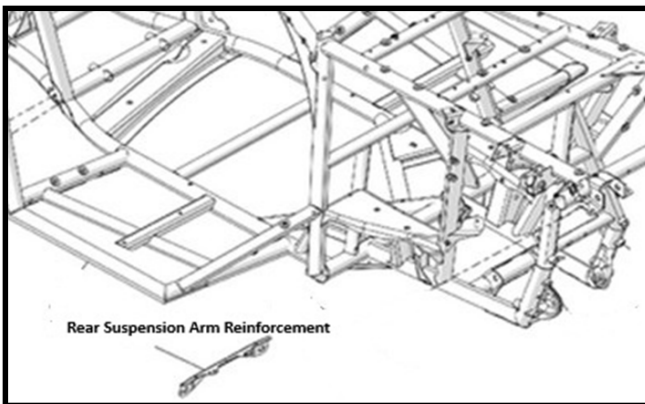
REAR REINFORCEMENT BRACKETS

4

1. Ensure the ATV is still secure.
2. Lift and support the rear of the ATV if needed for access.

5

REMOVE REAR SUSPENSION



1. Remove the Rear Suspension Arm Reinforcement bracket retaining the factory hardware.
2. Once the bracket is disconnected:
 - Locate the two rivets securing the brake line to the bracket.
 - Remove both rivets after the bracket is off.
3. **Do not cut or damage the brake line.**



6

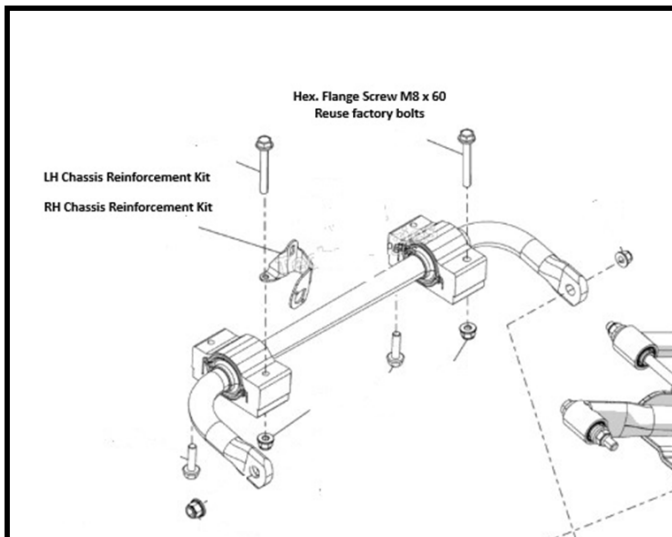
INSTALL REAR REINFORCEMENT BRACKETS



1. Install the new rear reinforcement bracket using factory hardware in the same location as OEM.
2. Before you insert the bracket into the frame, attach the zip ties provided by pushing the "trees" into the outermost holes and securing the ties loosely on the brake line. It is easier to do this before you install the bracket. The additional two holes on the bracket are optional for 3/16" rivets in lieu of the provided zip ties.
3. Secure the brake line using the zip ties provided and trim off the excess. Route the brake line safely.
4. Torque to OEM specifications.
5. Ensure full suspension travel without tension

7

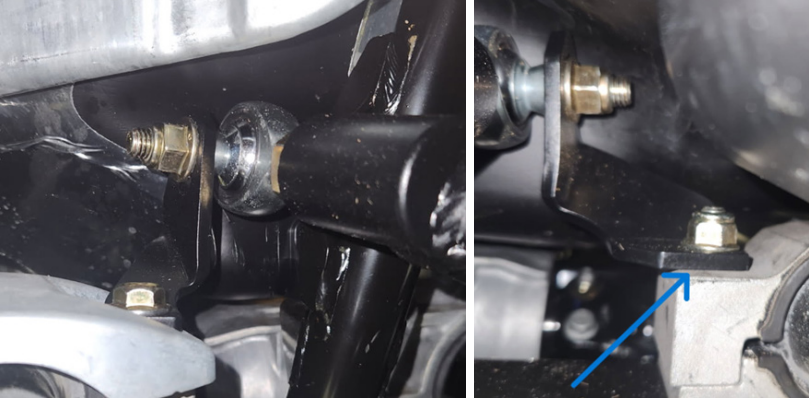
REMOVE RH & LH CHASSIS REINFORCEMENT



1. Identify and remove Left (LH) and Right (RH) brackets.
2. Left and Right are determined from the seated/riding position.
3. The Right-Side Sway Bar Bolt that we call out in the image needs to be inserted from the bottom and not from the top. This will make installation easier and will give you gas tank clearance.

8

INSTALL REAR LH & RH CHASSIS REINFORCEMENT BRACKETS



1. Position each bracket on the correct side of the frame.
2. Attach using factory hardware
3. Torque all fasteners to OEM specifications.

9

Final Checks

1. Inspect all installed brackets.
2. All bolts are tight and torqued.
3. Brake lines are secure and clear of moving parts.
4. No tools or hardware are left behind.
5. Lower the ATV fully to the ground.

Test Ride

1. Start with a slow test ride.
2. Listen for abnormal noises.
3. Recheck all hardware after the first ride.

WARRANTY INFORMATION



HIGH LIFTER LIMITED LIFETIME WARRANTY

High Lifter offers a Limited Lifetime Warranty to the original purchaser that our product shall be free from defects in material and workmanship for the life of the product if utilized in accordance with the manufacturer's instructions for installation and operation of said products.

LIMITED LIFETIME WARRANTY EXTENDS TO THE FOLLOWING PRODUCT LINES:

- Lift Kits (Signature, Standard and Big Lifts)
- Control Arms
- Trailing Arms
- Radiator Relocation Kits
- Portal Gear Lifts
- Wheel Spacers
- Tow Hooks
- Control Arm Link Kits
- Racks

Damages to vehicle or any other object during the installation, use, or removal of High Lifter products are not covered under this warranty. Normal wear items included with any of the products covered under this Limited Lifetime Warranty are excluded from coverage. These items include, but are not limited to heim joints, tie rods, bearings, bushings, seals, gaskets, zinc plating, painted and powder coated finishes. Other exclusions of coverage under this warranty include, but are not limited to: damage or product failure due to improper installation, lack of maintenance, product modification, abuse, collision or use on vehicles for which product was not designed, repairs performed by anyone other than approved High Lifter personnel or made using non-High Lifter components. This warranty is valid for the original purchaser only and is non-transferable. High Lifter reserves the right to inspect any product before determining if the claim is valid and covered under this warranty. Claims determined to be caused by reasons other than a manufacturer defect will be rejected and an estimate for repair or cost of a replacement product if a repair is not possible, will be provided.

This warranty is exclusive and is in lieu of any implied warranty of merchantability, fitness for a particular purpose or other warranty of quality, whether express or implied, except the warranty of title.

WARRANTY PROCESSING

If you suspect your product is defective, **DO NOT disassemble the product** to determine the cause without prior approval as it may void your warranty status. This is especially true with our Portal Gear Lift. To begin the claim process, please e-mail our warranty team at warranty@highlifter.com and include the following in the e-mail:

- Your full name, address and contact phone number
- The year, make and model of your vehicle
- The part number of the product
- Photos of the product installed, and vehicle product is installed on
- Proof of purchase (Required for all warranty claims and you must be the original purchaser)

Once a claim is created, you will receive a return authorization number (RMA). Write this number on the outside of the box containing your defective product and include it along with your name and contact information inside the box. Product must be returned in the original box or a box of equal strength and packaging. Product sent without an RMA number visible on the outside of the box or sent COD will be refused. Ship your product to the following address:

High Lifter Products
Attn: Returns 7455 Atkinson Dr, Shreveport, LA 71129

Once your product is received, we often have your replacement or repaired product shipped back to you within 3-business days of receiving it. Please note that **High Lifter is not responsible** for shipping charges on product returned for warranty or repair, including duties and fees required by those residing outside the United States.