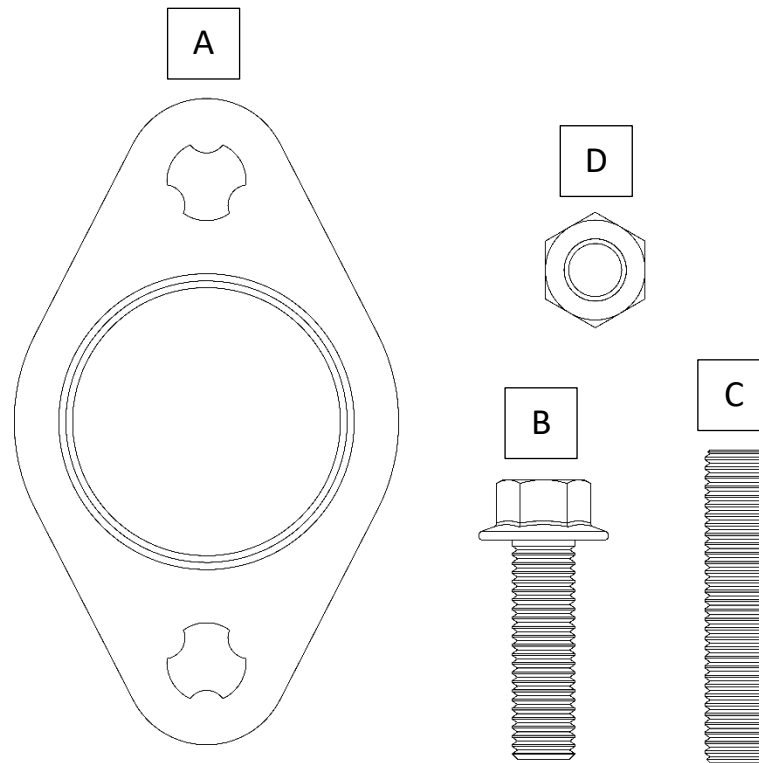


Exhaust Manifold For
6.7L Cummins 2019-2024
Installation Instructions



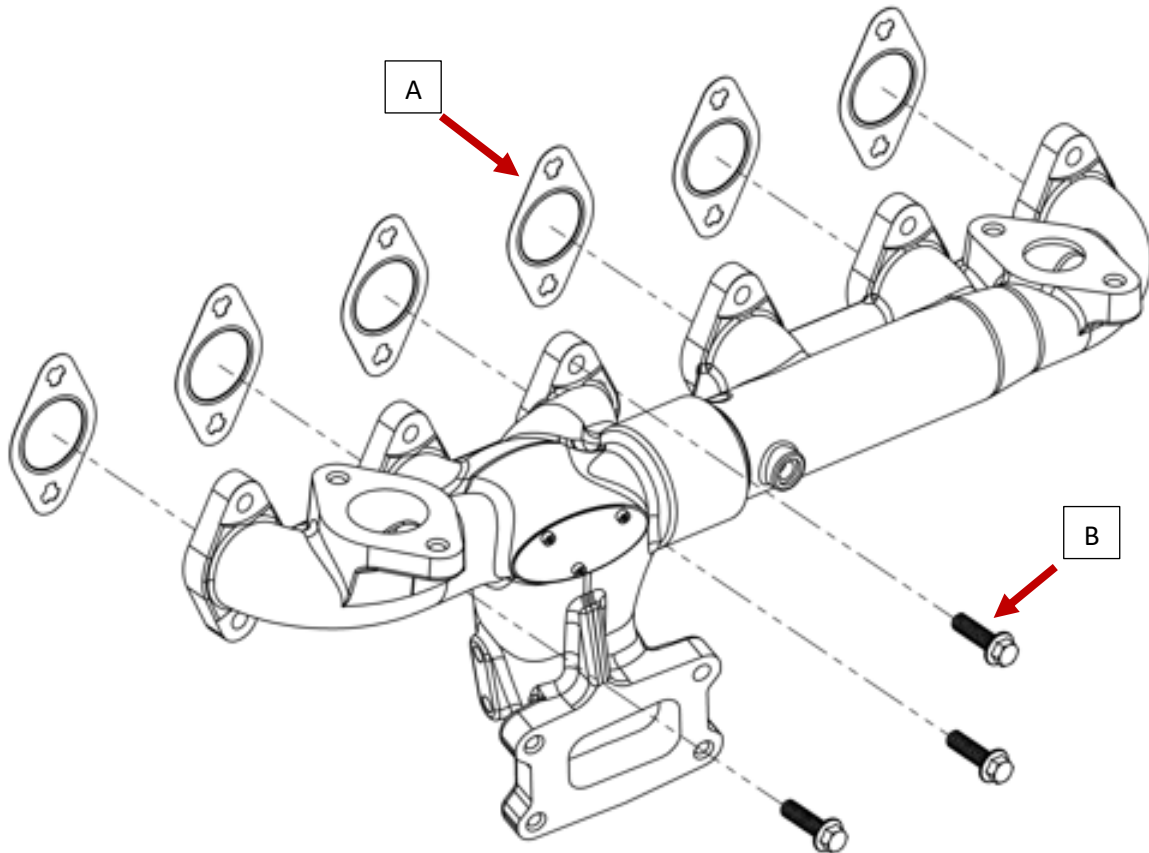
Hardware List:



<u>Hardware Letter:</u>	<u>Hardware Specification:</u>	<u>Quantity:</u>
A	24V Multilayer Manifold Gasket	6
B	M10-1.5 x 35mm Flange Bolt	3
C	M10-1.5 x 50mm Stud	8
D	M10 Nut	8

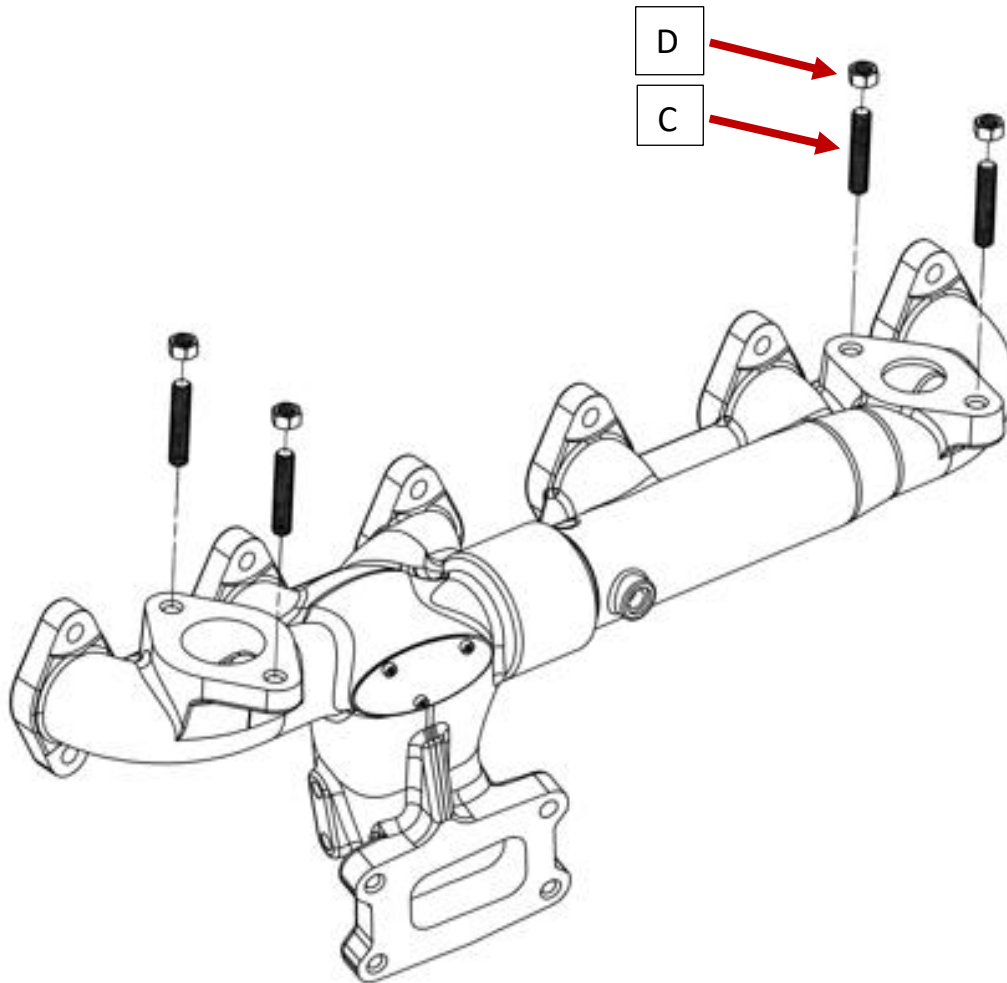
Manifold to Engine Block Installation:

Install the manifold onto the engine block by following the diagram below. Use the **B** bolts on the bottom hole of cylinder 5 and both holes of cylinder 4's exhaust port. The remaining holes will use your stock bolts and spacers. Make sure to place the **A** gaskets between the engine block and manifold. Torque each fastener to **35 ft-lbs.**



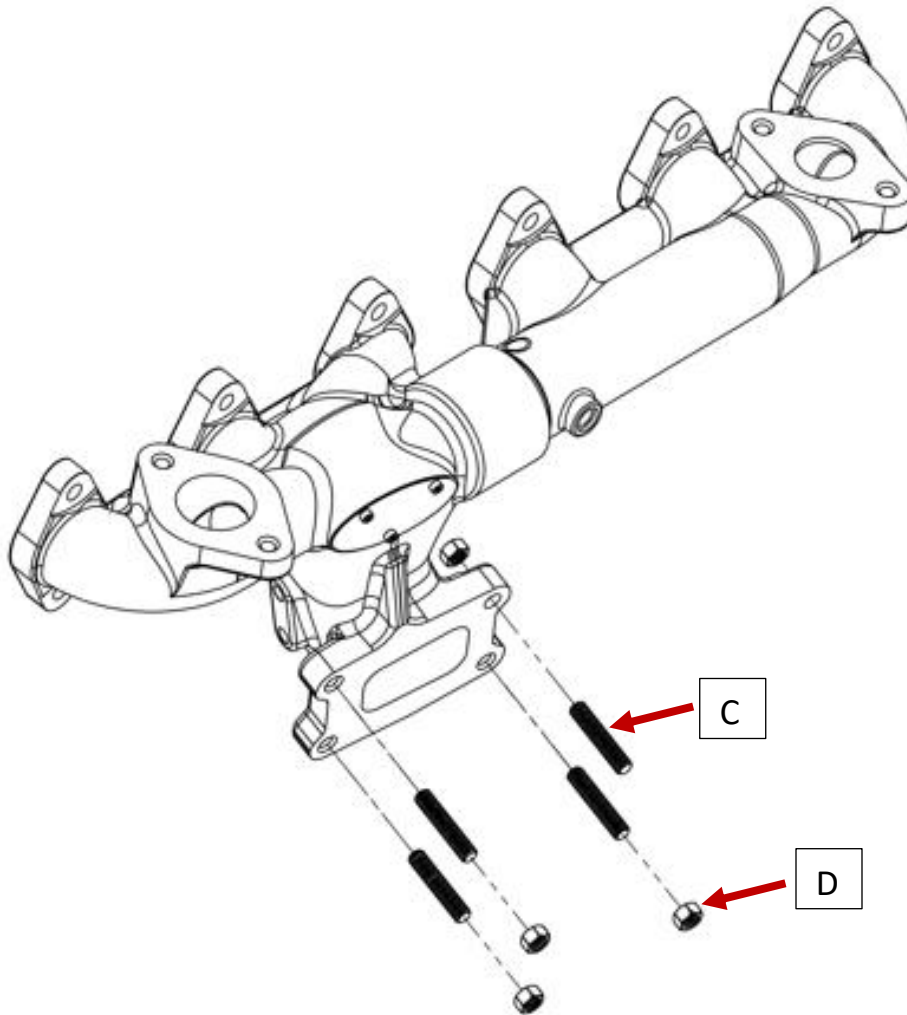
EGR to Manifold Installation:

Use the provided **C** studs and **D** nuts to fasten the EGR system to the manifold's EGR ports. Make sure to place EGR gaskets between the manifold and EGR (**Note:** The EGR gaskets are not included with the manifold). Torque each fastener to **35 ft-lbs.** Refer to the diagram below.



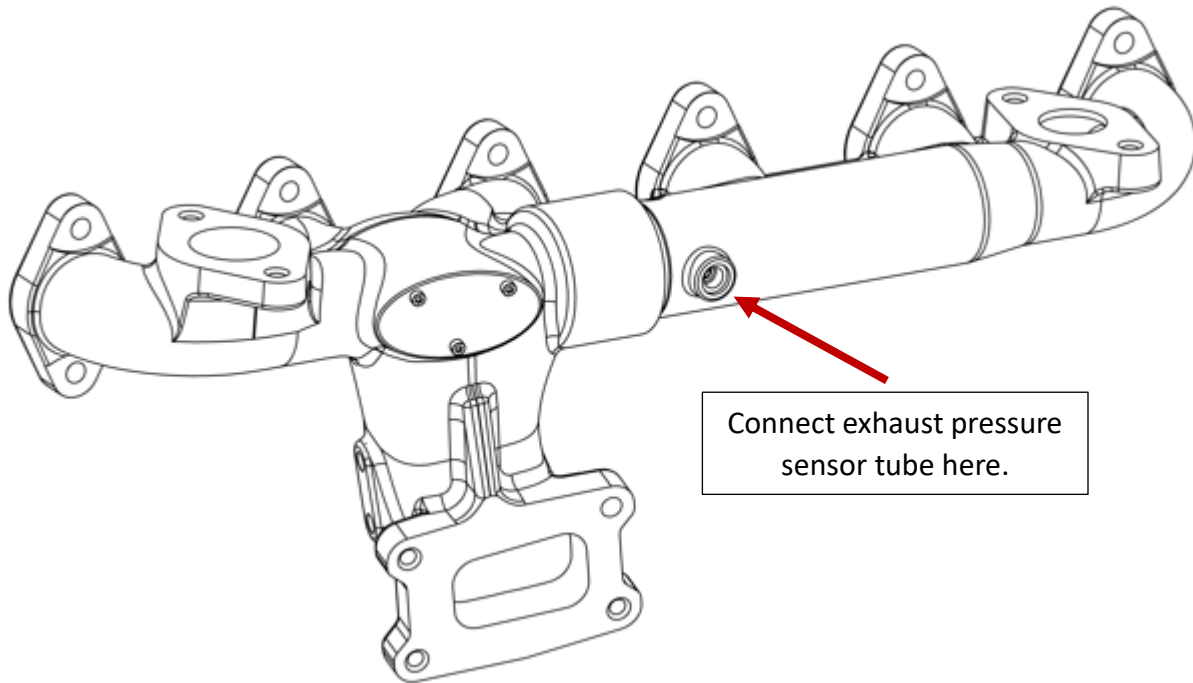
Turbo to Manifold Installation:

Install the turbo onto the manifold by following the diagram below. First thread the **C** studs into the manifold flange's 3 threaded holes and turbo flange's 1 thread hole. Make sure to place a turbo gasket between the manifold and turbo. (**Note:** The turbo gasket is not included with the manifold.) Using the studs as a guide position the turbo into place and fasten the **D** nuts on the back side of the manifold and turbo flanges. Torque each fastener to **35 ft-lbs.**



Exhaust Pressure Tube Installation:

Connect the exhaust pressure sensor tube to the manifolds exhaust pressure sensor port. Make sure the tube is securely connected to the manifold. See the diagram below.



After installation, drive the truck for approximately 100 miles then, while the truck is warm re-torque all the manifold and turbo bolts, as the bolts sometimes loosen up after being heated and cooled a few times.