



# RUNNING BOARD

## *Installation Guide*



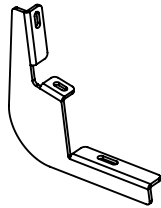
**GH-25001**

FITS GM 1500 (2019 - 2025),  
GM 2500HD & 3500HD (2020 - 2025)

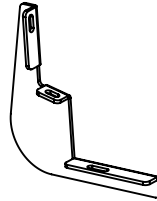
Updated May 2, 2025

# RUNNING BOARD INSTALLATION INSTRUCTIONS

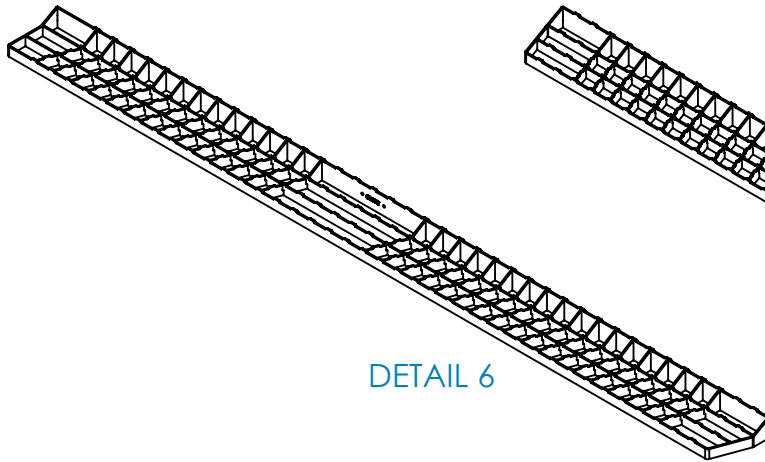
GH-25001  
 FITS GM 1500 (2019 THRU 2025),  
 2500HD & 3500HD (2020 THRU 2025)



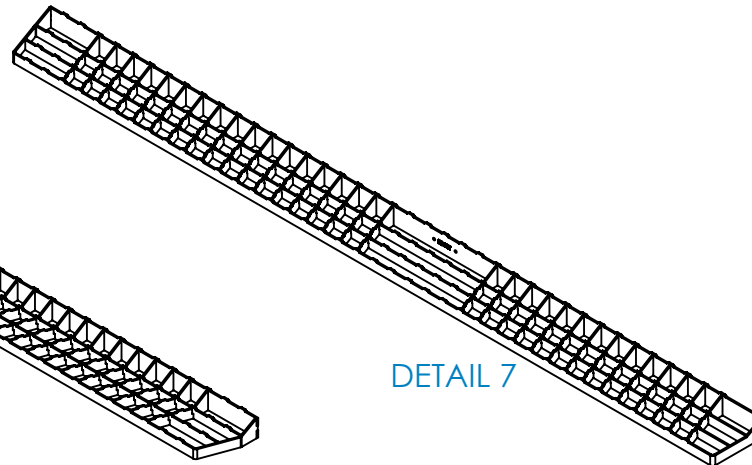
DETAIL 1



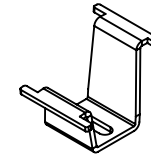
DETAIL 2



DETAIL 6



DETAIL 7



DETAIL 8

DET	REV	PART NO	DESCRIPTION	QTY
1	C	102973	BRACKET - CS - 3500HD	4
2	D	102972	BRACKET - RS - 3500HD	4
3	A	00376	BOLT - ST - M8 X 30MM - ISO 8.8	16
4	A	00377	WASHER - ST - 8MM - SPLIT	16
5	A	00378	WASHER - ST - 8MM	16
6	B	103722	ASSY - RUNNING BOARD - CS - 84IN	1
7	B	103723	ASSY - RUNNING BOARD - RS - 84IN	1
8	G	103584	BRACKET - RUNNING BOARD - INNER	8
9	A	00390	BOLT - SS - .313-18 X .750 - FULL THREAD	8
10	A	00391	NUT - GR C ZINC - .313-18 - DIST THREAD LOCKING	8
11	C	103819	MOUNT - LOGO - PUSH IN - MOLDED	2
12	A	901110	STICKER - DOME - GEN Y LOGO	2

### TOOLS NEEDED

- 1/2" SOCKET
- 1/2" WRENCH
- 13mm SOCKET
- 13mm WRENCH
- RATCHET
- TORQUE WRENCH

**PROPRIETARY AND CONFIDENTIAL**  
 THE INFORMATION CONTAINED IN THIS DRAWING IS THE SOLE PROPERTY OF GEN-Y GROUP. ANY REPRODUCTION IN PART OR AS A WHOLE WITHOUT THE WRITTEN PERMISSION OF GEN-Y GROUP IS STRICTLY PROHIBITED.  
 E-MAIL: mike@genyhitch.com

A	PRODUCTION RELEASE	03/28/25	FPW	CHK
REV.	DESCRIPTION	DATE	DRW	CHK
	DIMENSIONS ARE IN INCHES	NAME	DATE	
	TOLERANCES:	FPW	03/28/25	
	ANGULAR: MACH ± 1.0	CHECKED	.	
	TWO PLACE DECIMAL ± .03	AREA	.	
	THREE PLACE DECIMAL ± .015	PERIMETER	.	
Material	STEEL	TRACKING PART NO: GEN-Y HITCH NAPPANEE IN		
FINISH	N/A			
DO NOT SCALE DRAWING				

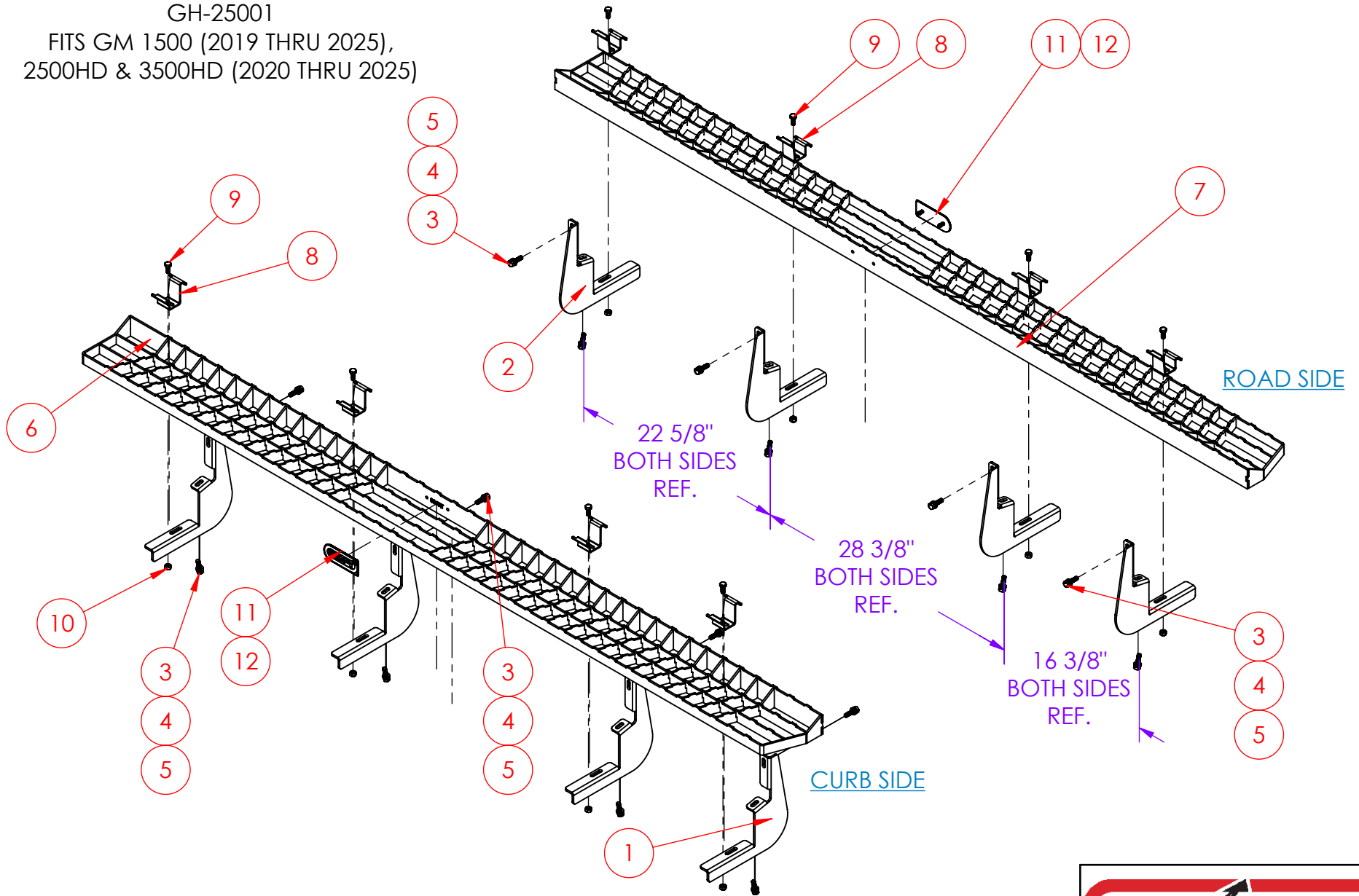


DESCRIPTION  
**MAIN ASSY - RUNNING BOARD - GM 1500 (2019 THRU 2025), 2500HD & 3500HD (2020 THRU 2025)**

SIZE	DWG. NO.	REV.
A	GH-25001	A

SCALE: 1:10    WEIGHT: 83.334 FT/LB    SHEET 1 OF 3

GH-25001  
 FITS GM 1500 (2019 THRU 2025),  
 2500HD & 3500HD (2020 THRU 2025)



**PROPRIETARY AND CONFIDENTIAL**  
 THE INFORMATION CONTAINED IN THIS DRAWING IS THE SOLE PROPERTY OF GEN-Y GROUP. ANY REPRODUCTION IN PART OR AS A WHOLE WITHOUT THE WRITTEN PERMISSION OF GEN-Y GROUP IS STRICTLY PROHIBITED.  
 E-MAIL [mike@genyhitch.com](mailto:mike@genyhitch.com)

DIMENSIONS ARE IN INCHES  
 TOLERANCES:  
 ANGULAR: MACH ± 1.0  
 TWO PLACE DECIMAL ± .03  
 THREE PLACE DECIMAL ± .015

Material	STEEL
FINISH	N/A
DO NOT SCALE DRAWING	

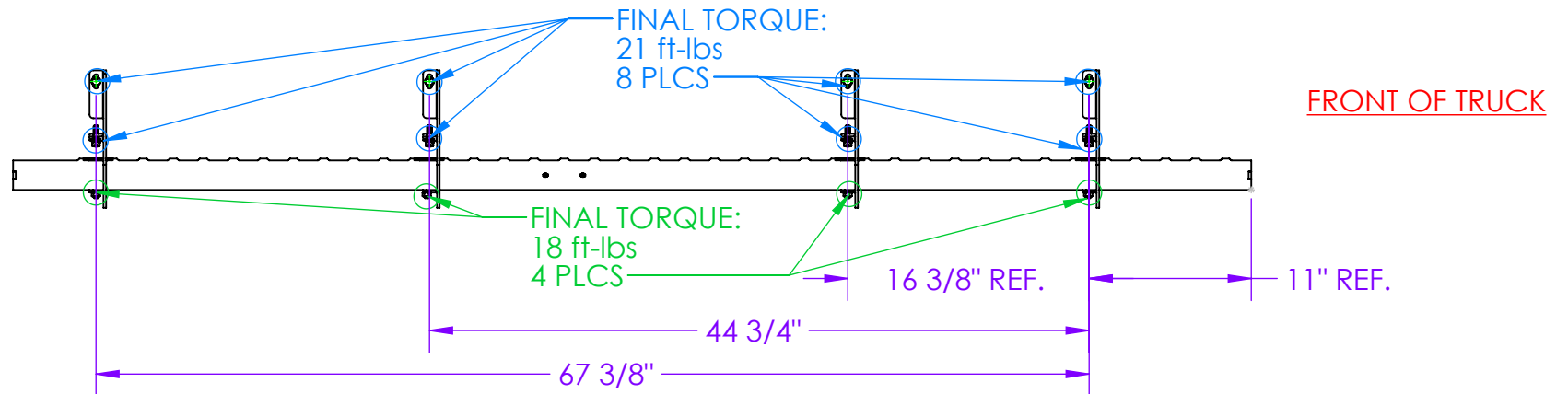
	NAME	DATE
DRAWN	FPW	03/28/25
CHECKED	.	.
AREA	.	.
PERIMETER	.	.
TRACKING PART NO:	GEN-Y HITCH NAPPANEE IN	



DESCRIPTION MAIN ASSY - RUNNING BOARD - GM 1500 (2019 THRU 2025), 2500HD & 3500HD (2020 THRU 2025)		
SIZE <b>A</b>	DWG. NO. GH-25001	REV. A
SCALE: 1:12	WEIGHT: 83.334 FT/LB	SHEET 2 OF 3

GH-25001  
 FITS GM 1500 (2019 THRU 2025),  
 2500HD & 3500HD (2020 THRU 2025)

- STEP 1 -  
 LOOSELY INSTALL ALL BRACKETS, RUNNING BOARD & HARDWARE.  
 STEP 2 -  
 ENSURE RUNNING BOARD & BRACKETS ARE PROPERLY ALIGNED THEN TORQUE HARDWARE TO SPECIFICATIONS BELOW.



**\*\*BACK SIDE OF ROAD SIDE SHOWN\*\***  
**CURB SIDE WILL BE OPPOSITE**

**PROPRIETARY AND CONFIDENTIAL**  
 THE INFORMATION CONTAINED IN THIS DRAWING IS THE SOLE PROPERTY OF GEN-Y GROUP. ANY REPRODUCTION IN PART OR AS A WHOLE WITHOUT THE WRITTEN PERMISSION OF GEN-Y GROUP IS STRICTLY PROHIBITED.  
 E-MAIL: mike@genyhitch.com

DIMENSIONS ARE IN INCHES	
TOLERANCES:	
ANGULAR:	MACH ± 1.0
TWO PLACE DECIMAL	± .03
THREE PLACE DECIMAL	± .015
Material	STEEL
FINISH	N/A
DO NOT SCALE DRAWING	

	NAME	DATE
DRAWN	FPW	03/28/25
CHECKED	.	.
AREA	.	.
PERIMETER	.	.
TRACKING PART NO:	GEN-Y HITCH NAPPANEE IN	

DESCRIPTION MAIN ASSY - RUNNING BOARD - GM 1500 (2019 THRU 2025), 2500HD & 3500HD (2020 THRU 2025)		
SIZE <b>A</b>	DWG. NO. GH-25001	REV. <b>A</b>
SCALE: 1:12	WEIGHT: 83.334 FT/LB	SHEET 3 OF 3