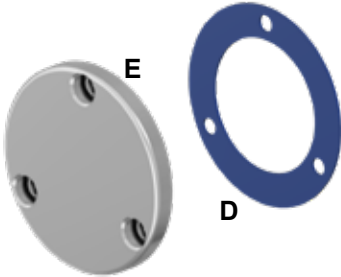


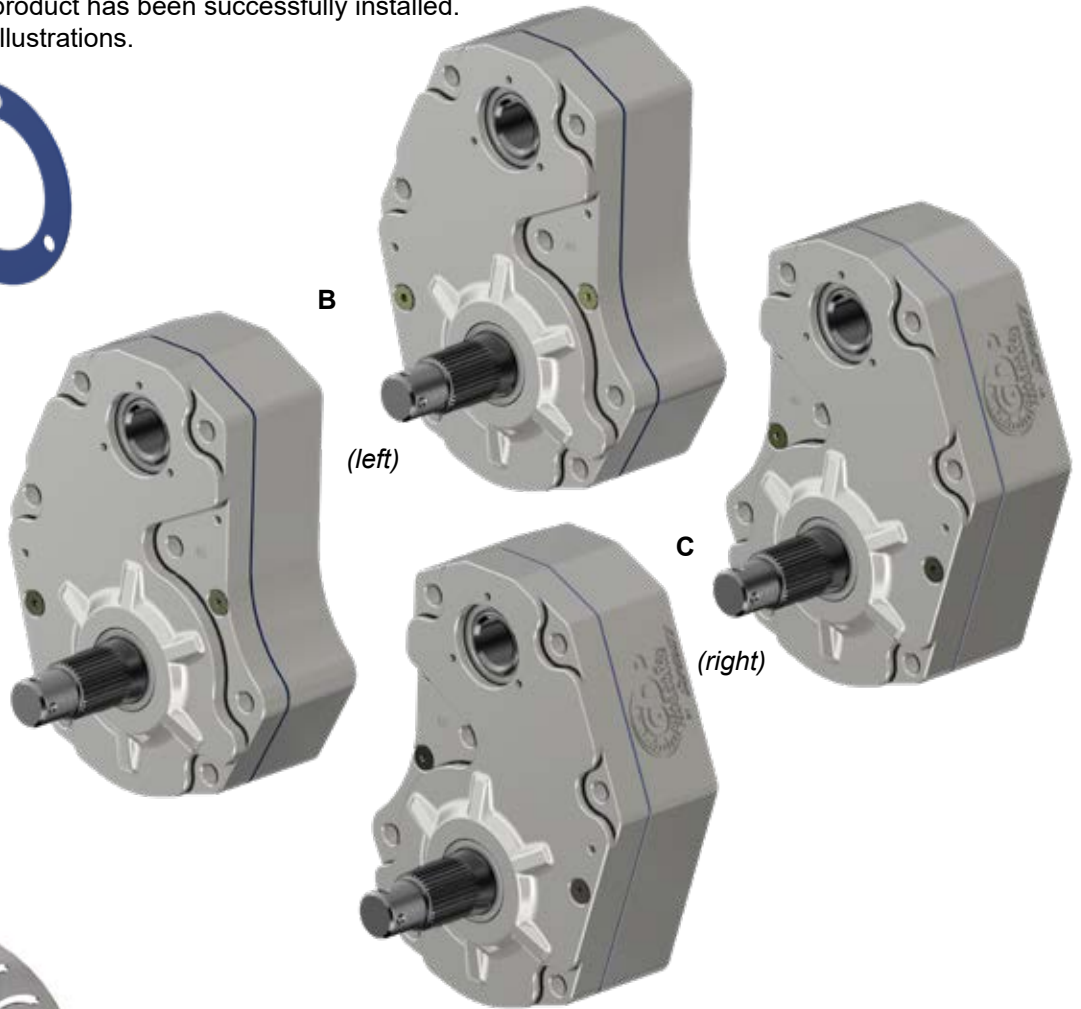
WHEN FILLING GEAR BOX USE ONLY SUPERATV PORTAL BLOOD. USING GREASE WILL CAUSE FAILURE OF GEARS AND BEARINGS. USING GREASE WILL VOID THE WARRANTY.

- Do not discard packaging until product has been successfully installed.
- 6" Portals shown in installation illustrations.



When installing, torque Cap to 70 in/lbs.

Item	Description
A	Rotor x 4
B	Gear Box A x 2
C	Gear Box B x 2
D	Gasket x 4
E	Cap x 4



SKU	Reduction	4" Front Gear Box	4" Rear Gear Box
PGH-4-112-151	15%	PGH04-GB151	PGH04-GB153
PGH-4-112-301	30%	PGH04-GB301	PGH04-GB303
PGH-4-112-451	45%	PGH04-GB451	PGH04-GB453

SKU	Reduction	6" Front Gear Box	6" Rear Gear Box
PGH6-4-112-151	30%	PGH604-GB301	PGH604-GB303
PGH6-4-112-301	45%	PGH604-GB451	PGH604-GB453

(Kit Contents continue on following pages)

Need help with your installation?



sales@superatv.com



www.superatv.com



1-855-743-3427



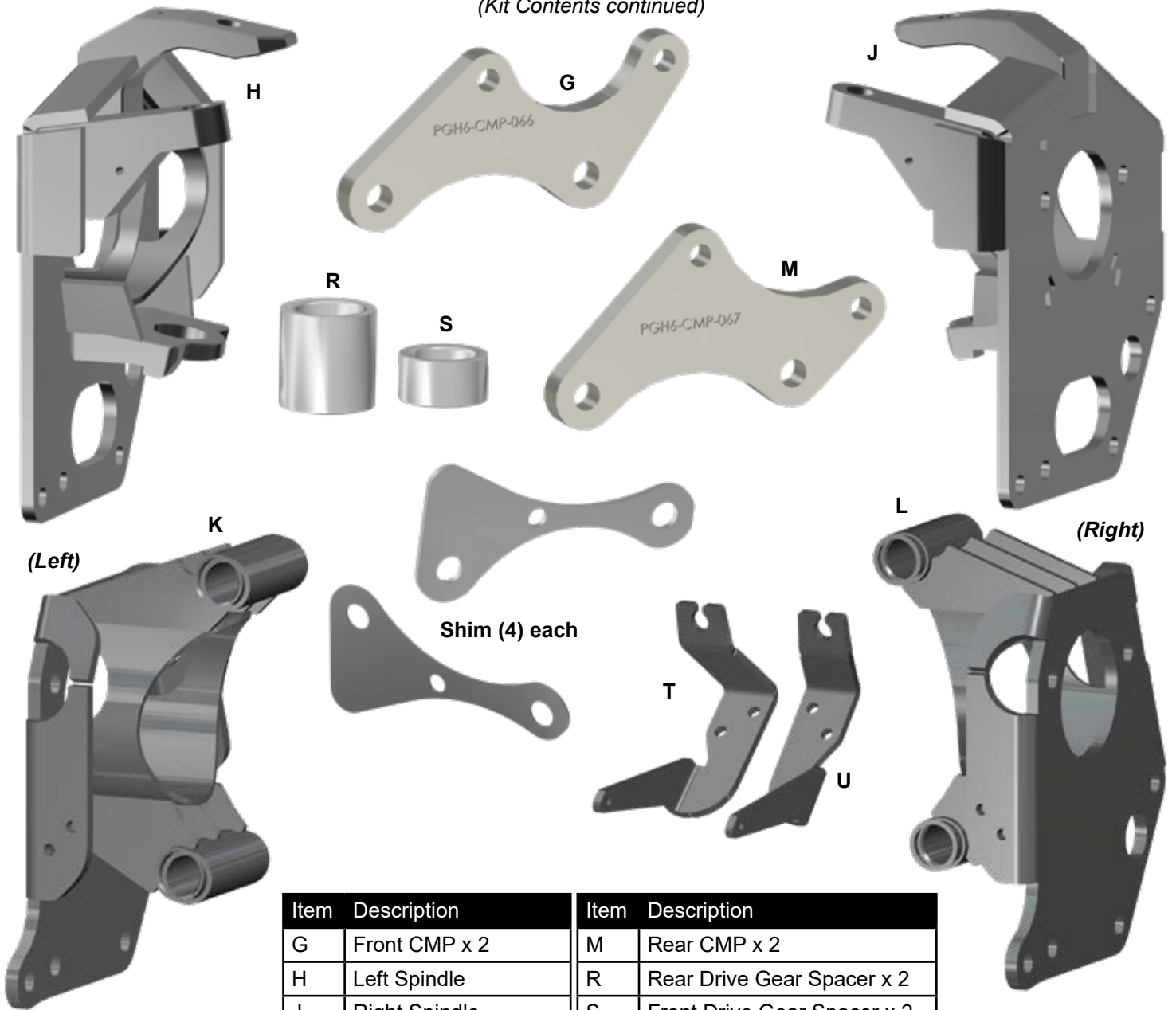
8:00am - 8:00pm EST M-Th
8:00am - 7:00pm EST Friday
9:00am - 2:00pm EST Saturday

Read instructions and view illustrations before beginning.

Thank You
For Choosing



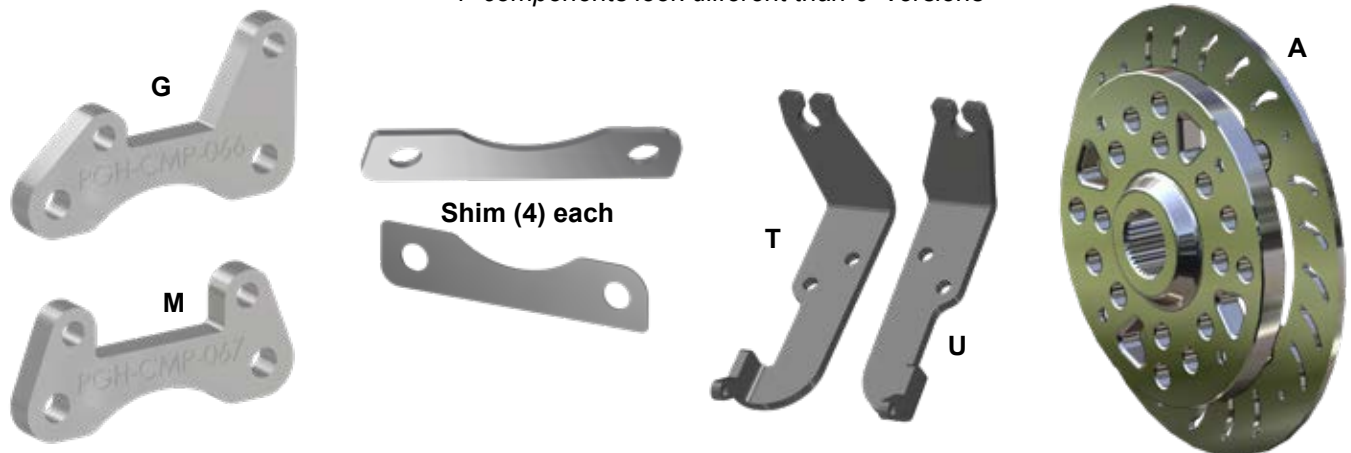
(Kit Contents continued)



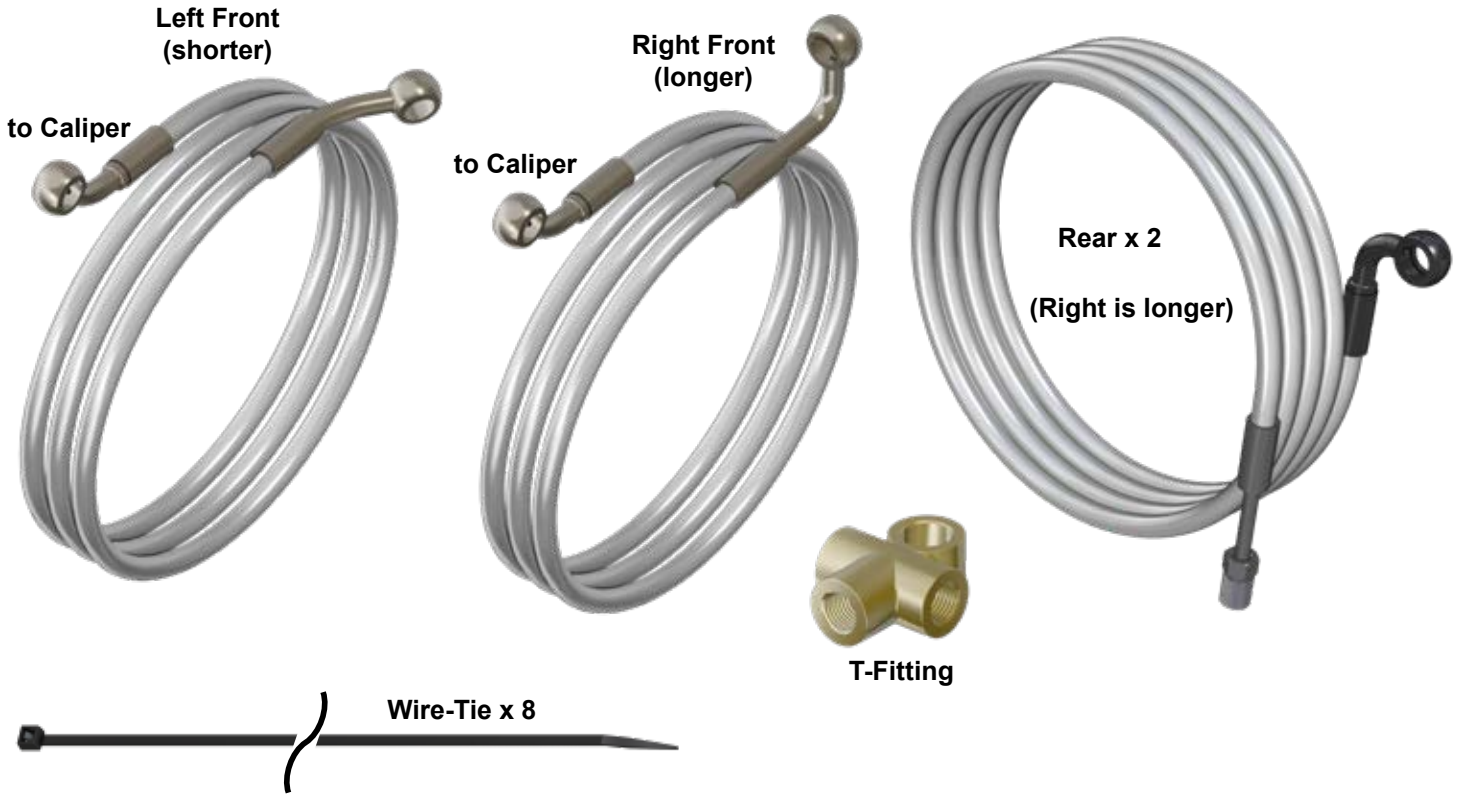
Item	Description	Item	Description
G	Front CMP x 2	M	Rear CMP x 2
H	Left Spindle	R	Rear Drive Gear Spacer x 2
J	Right Spindle	S	Front Drive Gear Spacer x 2
K	Left Bearing Carrier	T	Parking Brake Bracket - L
L	Right Bearing Carrier	U	Parking Brake Bracket - R

4" Portal Gear Hubs components:

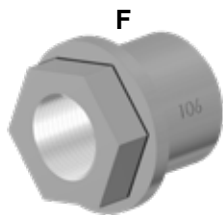
4" components look different than 6" versions



(Kit Contents continued)



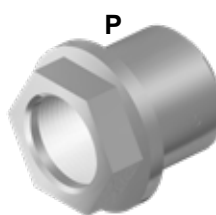
Item	Description
F	Recessed Nut - Right Front
N	Recessed Nut - Left Front
P	Recessed Nut - Right Rear
Q	Recessed Nut - Left Rear



(PGH-RN-106)



Left-Hand Thread
(PGH-RN-133)



(PGH-RN-115)



Left-Hand Thread
(PGH-RN-123)

Read ALL instructions prior to operating Portal Gear Hubs. Injury to personnel, portal gear hub, and/or machine failure may be caused by improper installation, maintenance or operation.

- It is dangerous to get under a jacked-up vehicle. The vehicle could slip off the jack and fall on you. You could be crushed. Never place any part of your body under a vehicle that is on a jack. Never start or run the engine while the vehicle is on a jack. If you need to get under a raised vehicle, take it to a service center where it can be raised on a lift.
- Hot oil can cause severe burns. Use extreme care when removing lubrication plugs and when working close to a unit that has been in operation.
- Check lube level between scheduled lube changes to insure that proper lube level is maintained. Inspect the tightness of mounting bolts, excessive heating, or any unusual noise or vibration.
- Serious personal injury may occur as a result of improperly performed maintenance, adjustments or repairs.
- Always be extremely careful when working on the portal gear hub. Always follow commonly accepted safety practices and general common sense. Never risk personal injury.
- Do not operate the portal gear hub without proper lube and correct amount.

For safe operation and to maintain the unit warranty, when changing a provided fastener for any reason, it becomes the responsibility of the person making the change to properly account for fastener grade, thread engagement, load, tightening torque and the means of torque retention.

- Mounting bolts should be periodically checked to ensure that the unit is firmly anchored for proper operation.
- These instructions are not intended to cover all details or variations in equipment, nor provide for every possible contingency to be met in connection with selection, installation, operation, and maintenance.

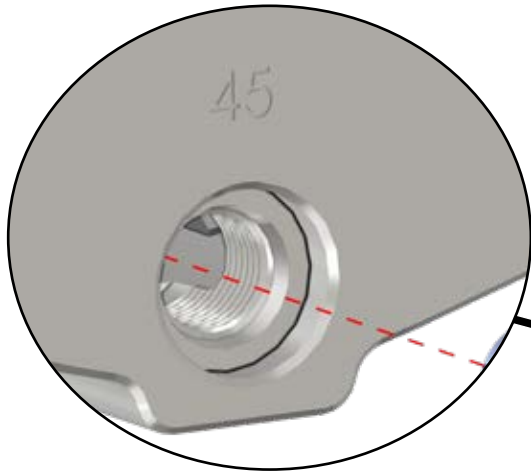
Should further information be desired or should particular problems arise which are not covered sufficiently for the Buyer's purpose, the matter should be referred to SuperATV®.

In the event of the resale of any of the goods, in whatever form, Resellers/Buyers will include the following language in a conspicuous place and in a conspicuous manner in a written agreement covering such sale:

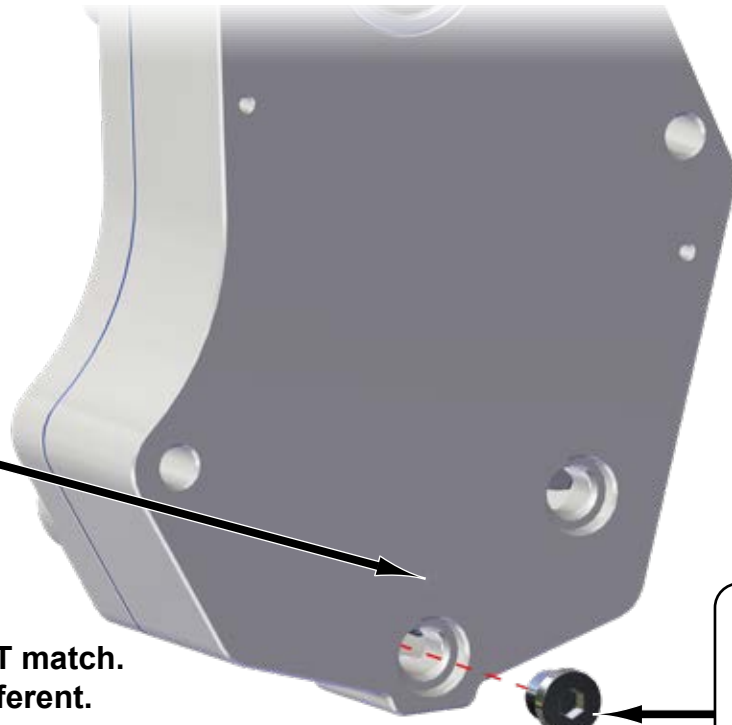
The manufacturer makes no warranties or representations, express or implied, by operation of law or otherwise, as to the merchantability or fitness for a particular purpose of the goods sold hereunder. Buyer acknowledges that it alone has determined that the goods purchased hereunder will suitably meet the requirements of their intended use. In no event will the manufacturer be liable for consequential, incidental or other damages. Even if the repair or replacement remedy shall be deemed to have failed of its essential purpose under Section 2-719 of the Uniform Commercial Code, the manufacturer shall have no liability to Buyer for consequential damages.

Resellers/Buyers agree to also include this entire document including the danger, warnings and cautions above in a conspicuous place and in a conspicuous manner in writing to instruct users on the safe usage of the product.

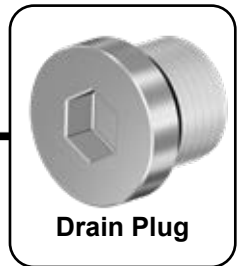
6" Gear Box



Numbers on Lid and Housing **MUST** match.
Stop and contact SuperATV if different.

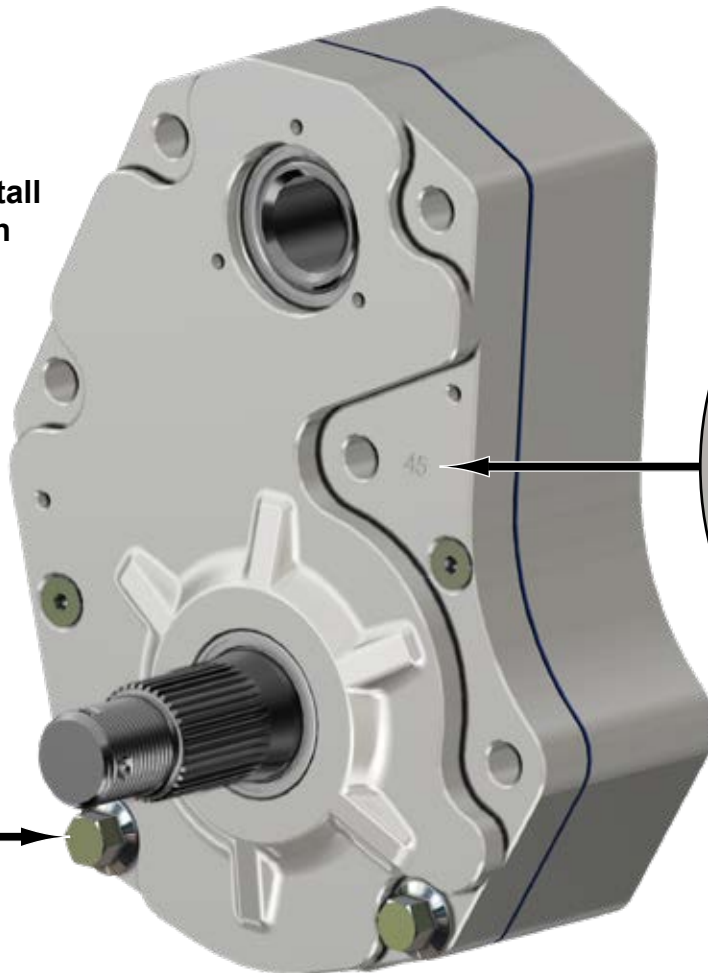
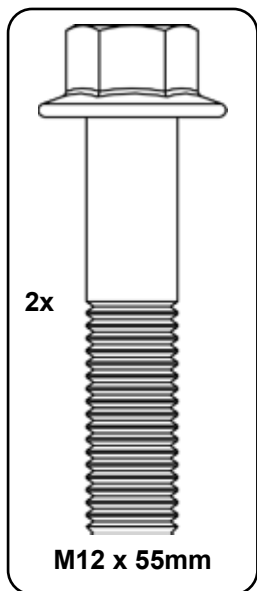


install into each Gear Box
Torque to 10 ft/lbs



DO NOT USE IMPACT WRENCH WHEN INSTALLING ANY HARDWARE INTO HOUSING

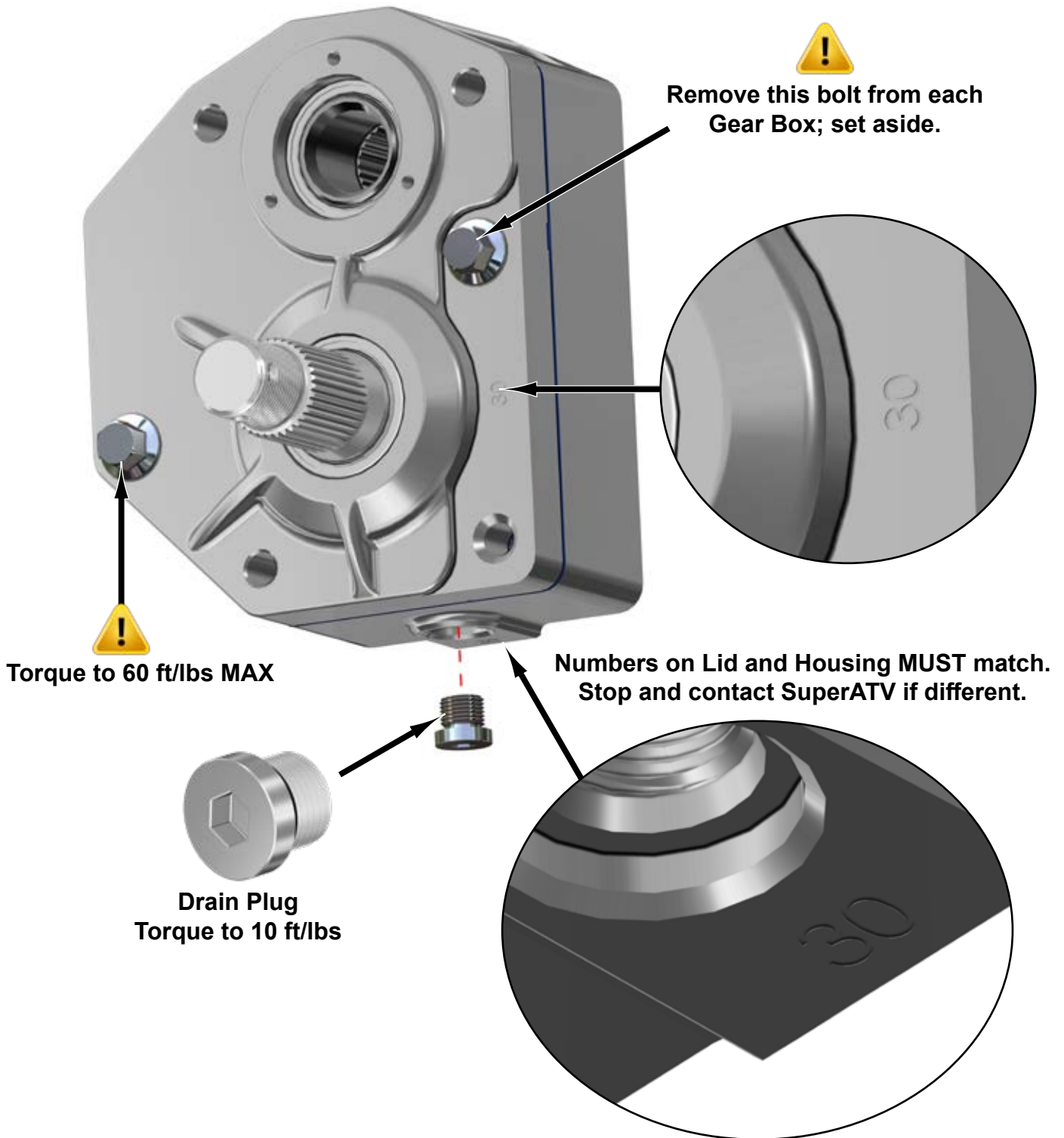
if not present, install
hardware shown



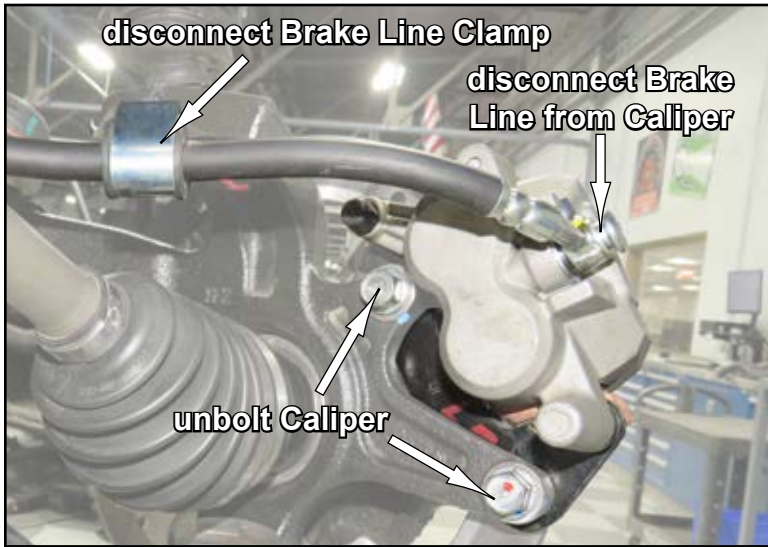
Torque to 60 ft/lbs MAX

4" Gear Box

DO NOT USE IMPACT WRENCH WHEN INSTALLING ANY HARDWARE INTO HOUSING



Front Components Removal: *Keep all components removed from machine.*
(driver side shown)

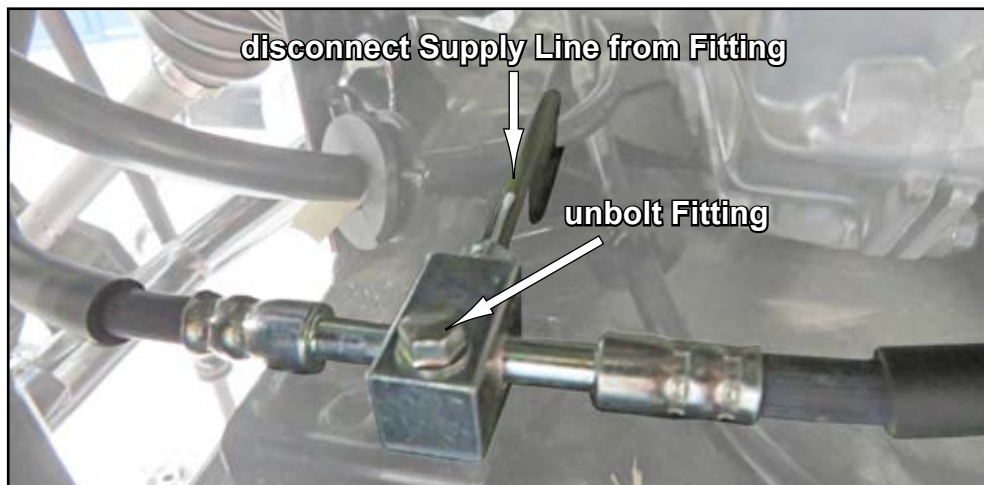


Front Components Removal continued: Keep all components removed from machine.



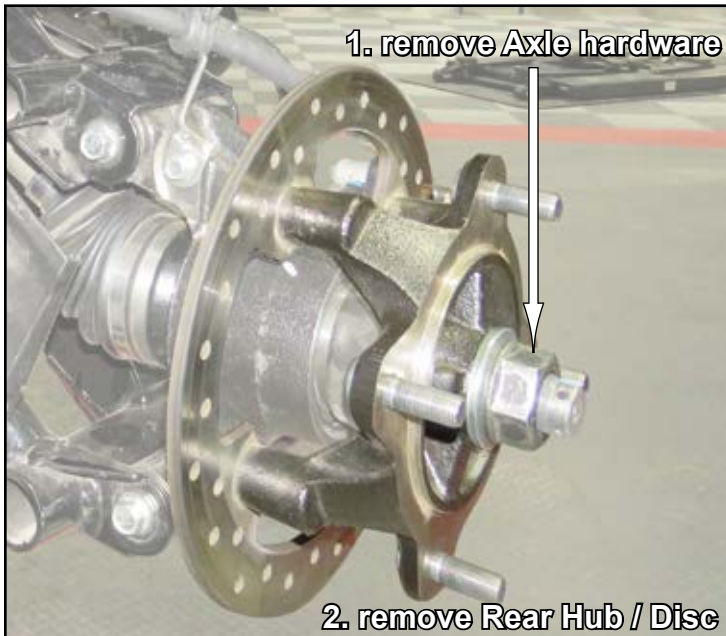
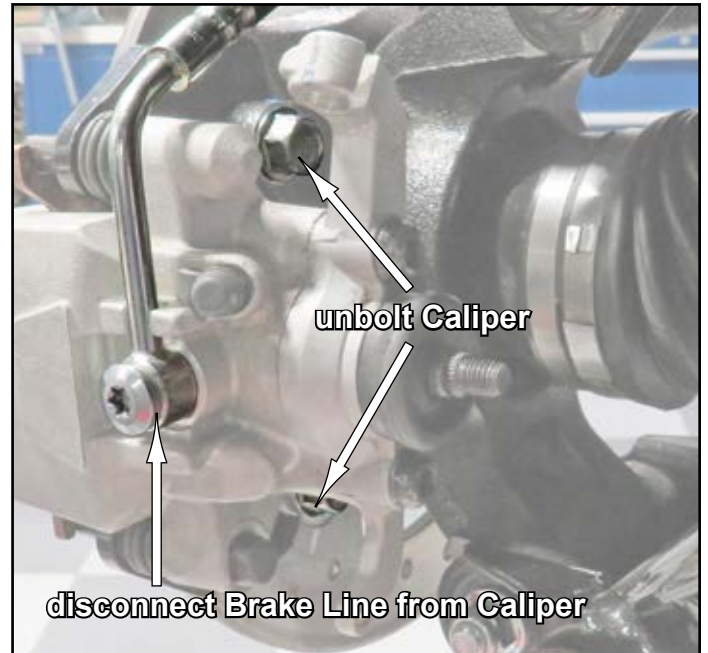
repeat steps for passenger side removal

Rear Components Removal: Keep all components removed from machine.



Rear Components Removal continued: Keep all components removed from machine.

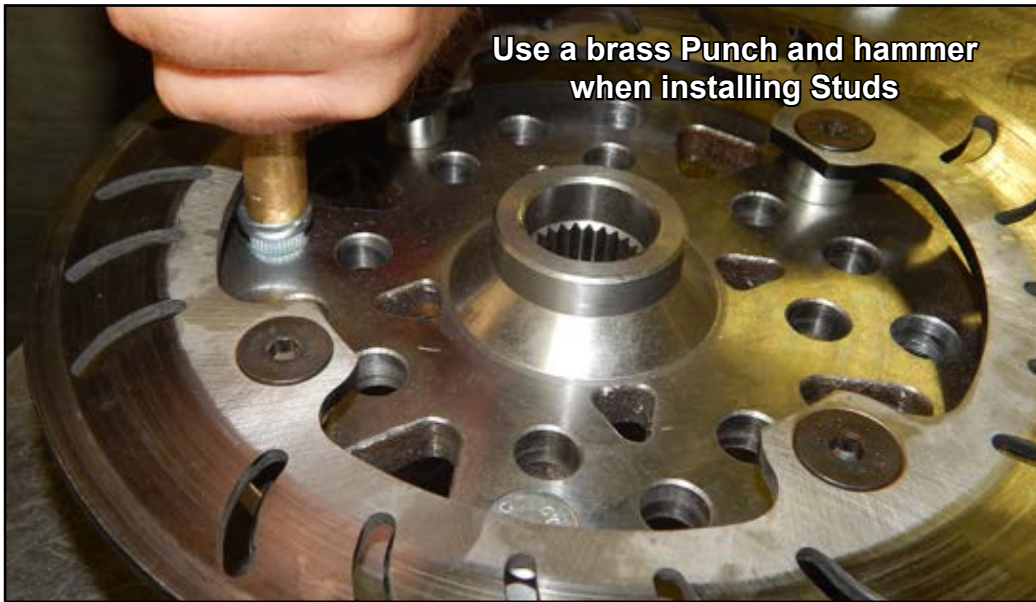
(driver side shown)



repeat steps for passenger side removal

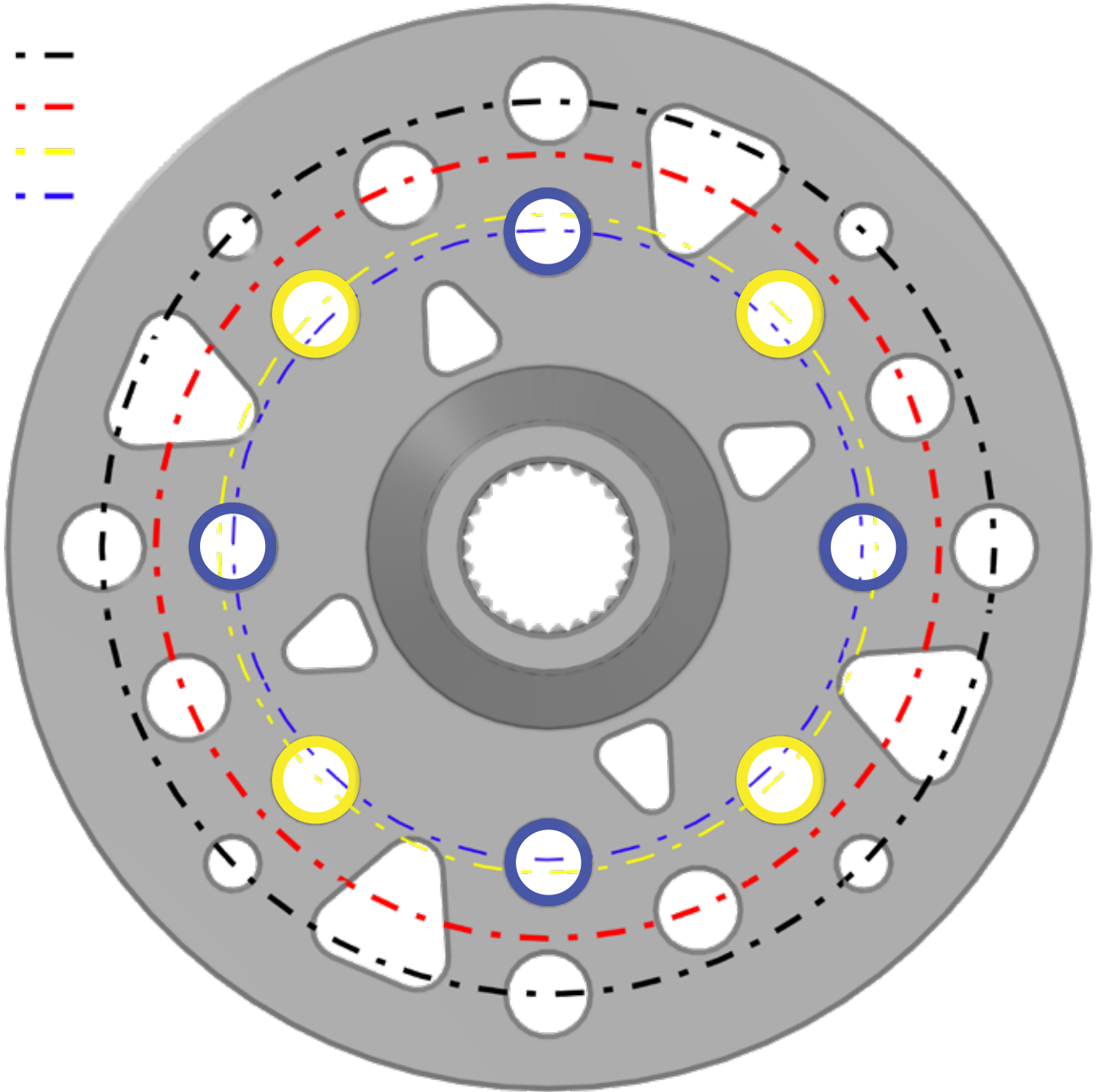
- See "Bolt Patterns" on following page and determine Wheel Hub Bolt Pattern.
- Insert correct size Studs into user determined Bolt Pattern.
- **See below illustration before driving Studs into Hub.** Use a brass punch and a hammer to drive Studs into Hub.
- Set aside and repeat steps for remaining Hubs.

Use Lug Nut removed from machine to verify correct Wheel Stud installation.



Wheel Hub Bolt Patterns

- A - - - -
- B - - - -
- C - - - -
- D - - - -

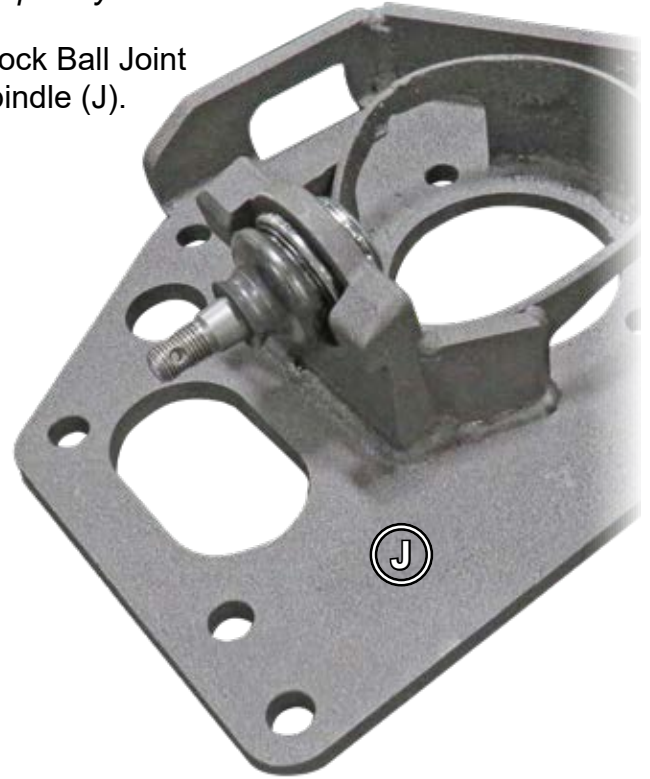


Pattern	Machine	Diameter
A	Polaris	156mm
B	Can-Am/Teryx4	137mm
C	Arctic Cat	115mm
D	Honda/Yamaha	110mm

Front: *do not tighten hardware completely unless noted.*

- Transfer stock Ball Joint to Right Spindle (J).

- Secure Right Spindle (J) to A-Arms with stock hardware.
- Secure Tie Rod End to Right Spindle (J) with stock hardware.



- Install Front Gear Spacer (S) onto Axle.



Machines with SuperATV Heavy Duty Tie Rod Ends must use provided hardware when securing to Front Spindles.

(Qty. 2 each)



M12 Nylock Nut



M10 Nylock Nut

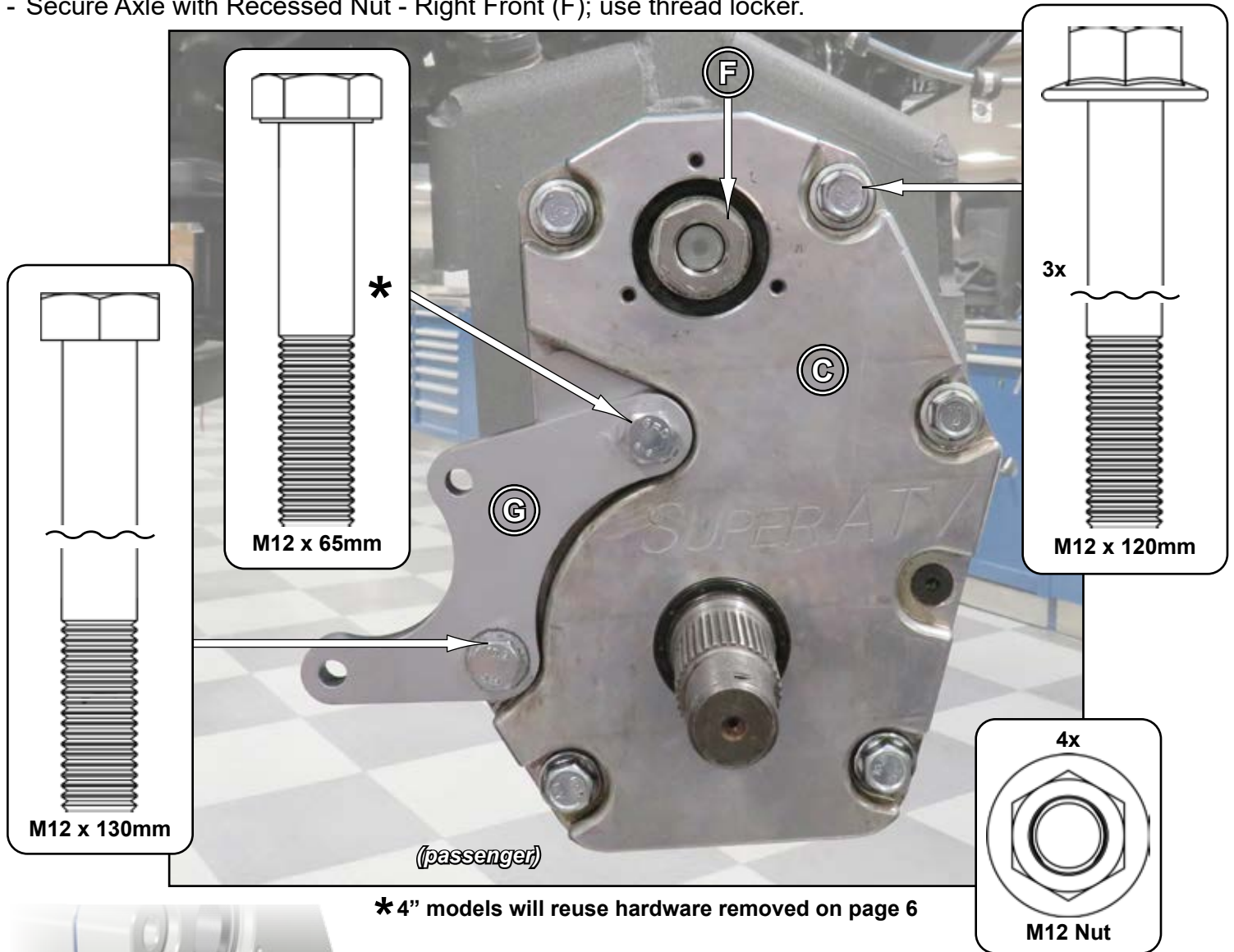


M12 Nylock Nut

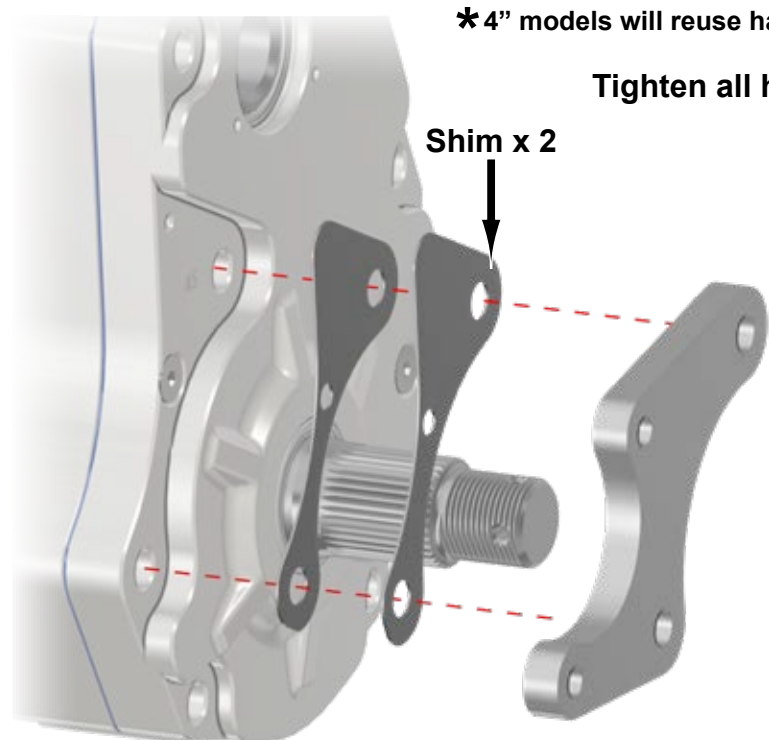
Tighten all hardware.

Front continued:

- Secure Gear Box B (C), Shims, and Front CMP (G) to Right Spindle (J) with hardware shown.
- Secure Axle with Recessed Nut - Right Front (F); use thread locker.

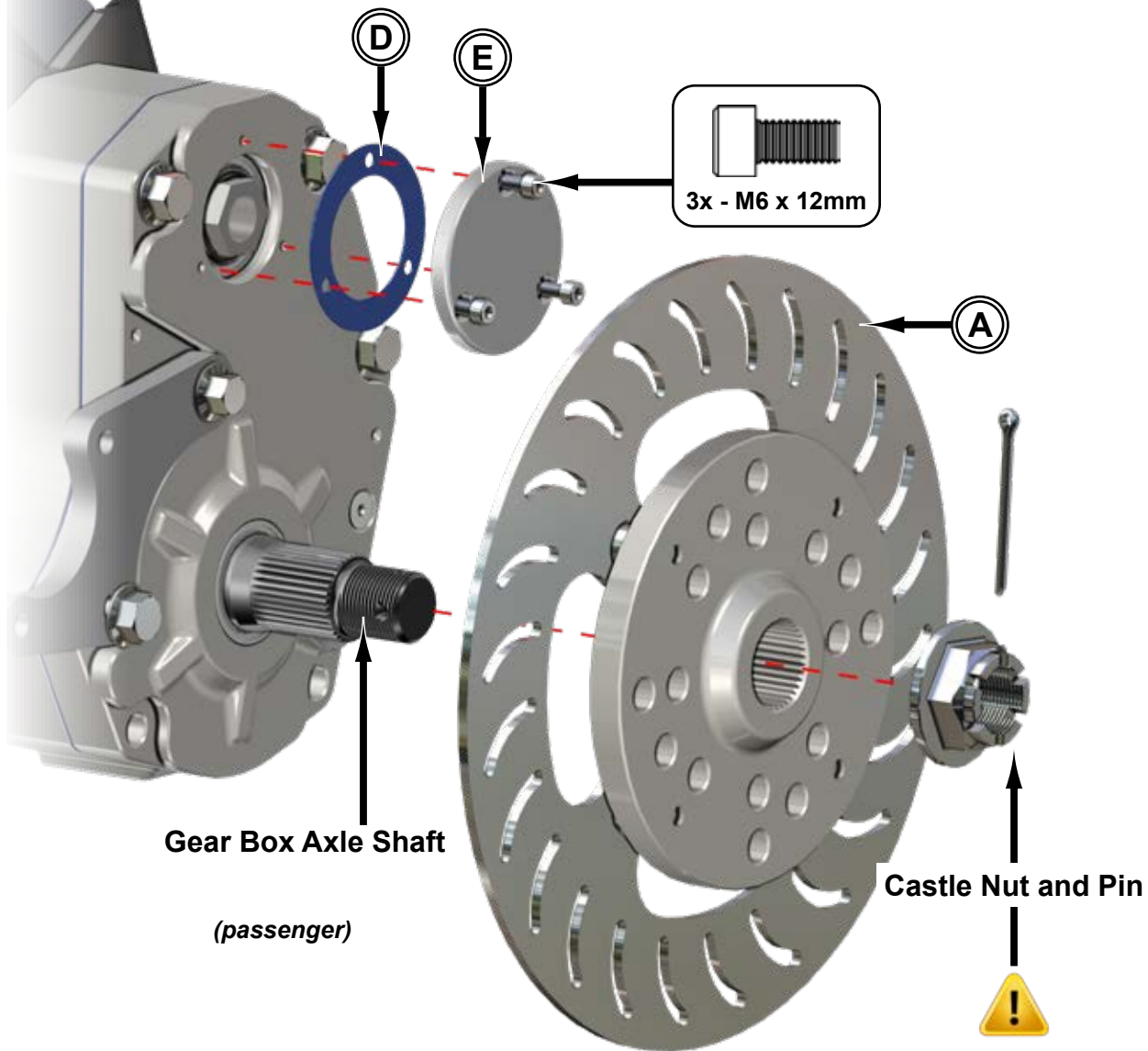


Tighten all hardware.



Front continued:

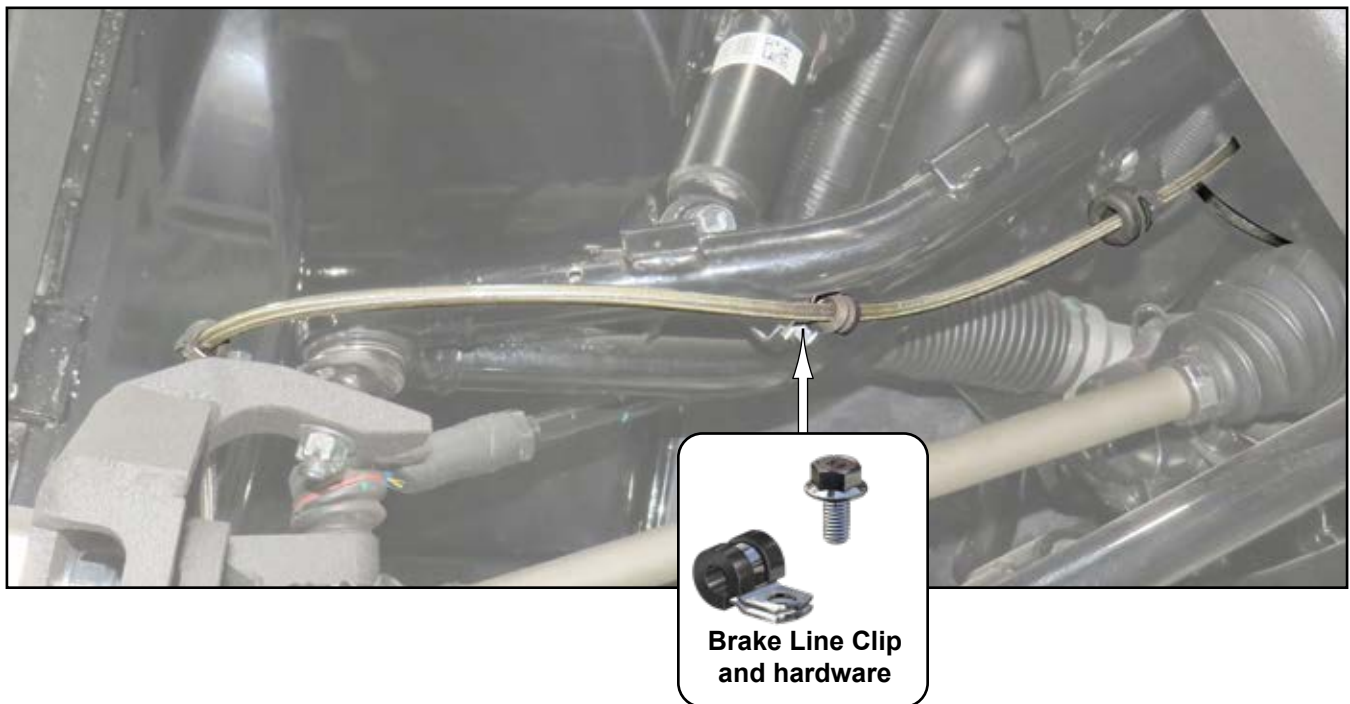
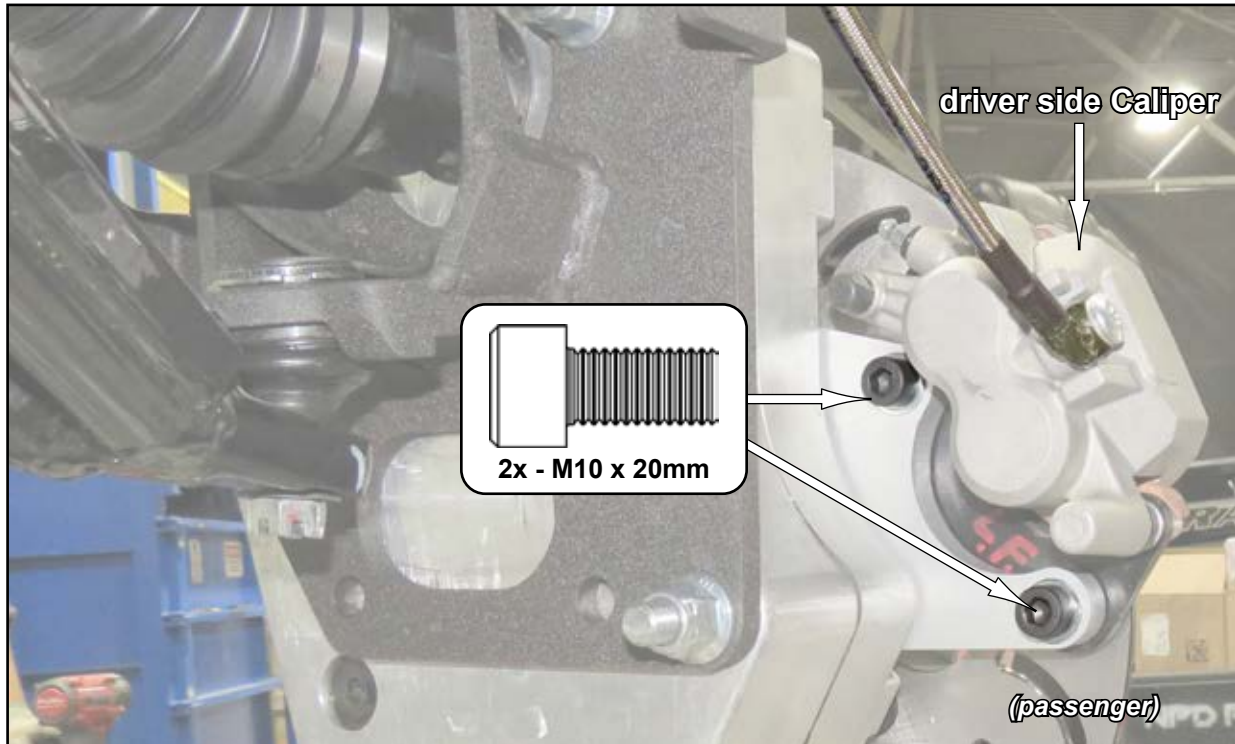
- Secure Gasket (D) and Cap (E) to Gear Box with hardware shown; tighten.
- Place Rotor (A) onto Gear Box Axle Shaft. Secure with hardware shown.



- Torque to minimum 300 Ft/Lbs.
- Continue tightening until Cotter Pin can be installed.

Front continued:

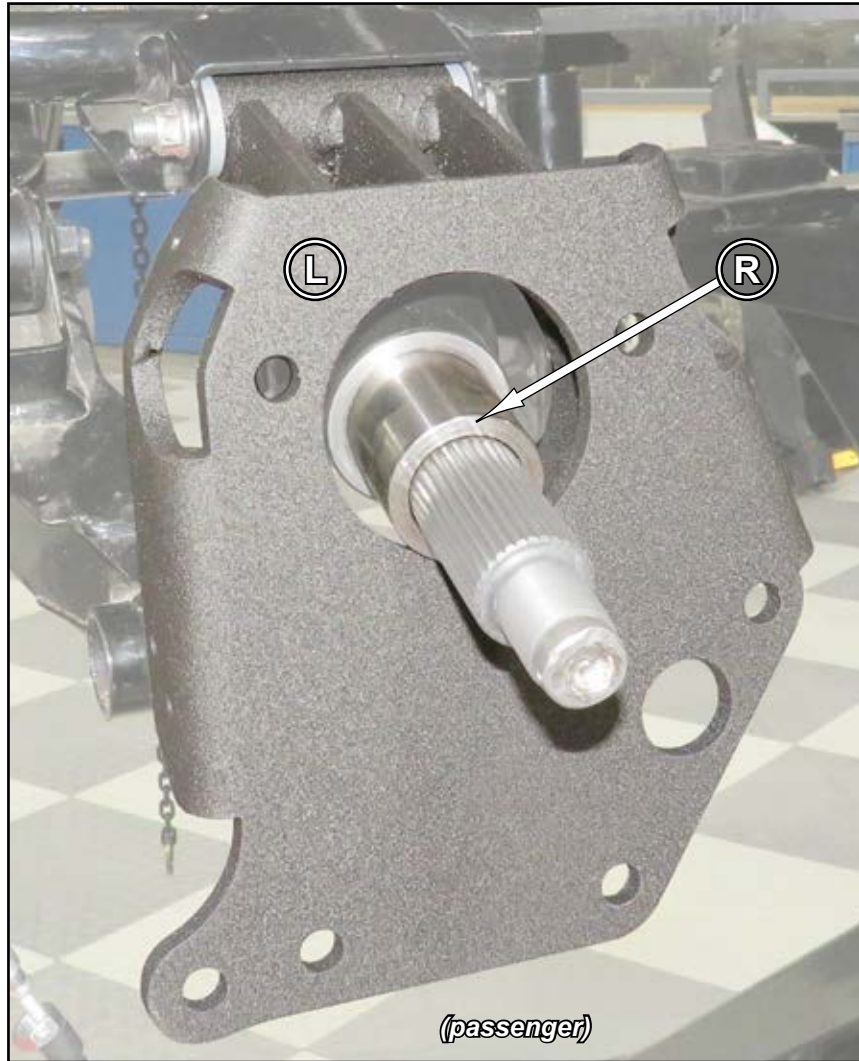
- Secure driver side Caliper to Front CMP (G) with hardware shown; tighten.
- Install provided Front Brake Line (right will be longer than left) to Caliper and Master Cylinder; tighten.
- Secure with components shown; tighten.
- Ensure that no binding occurs after Front Brake Line has been installed and secured.



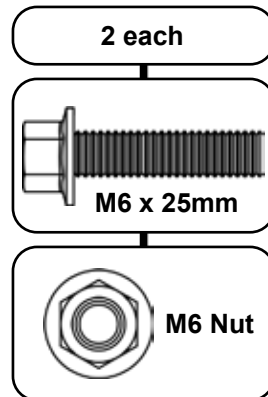
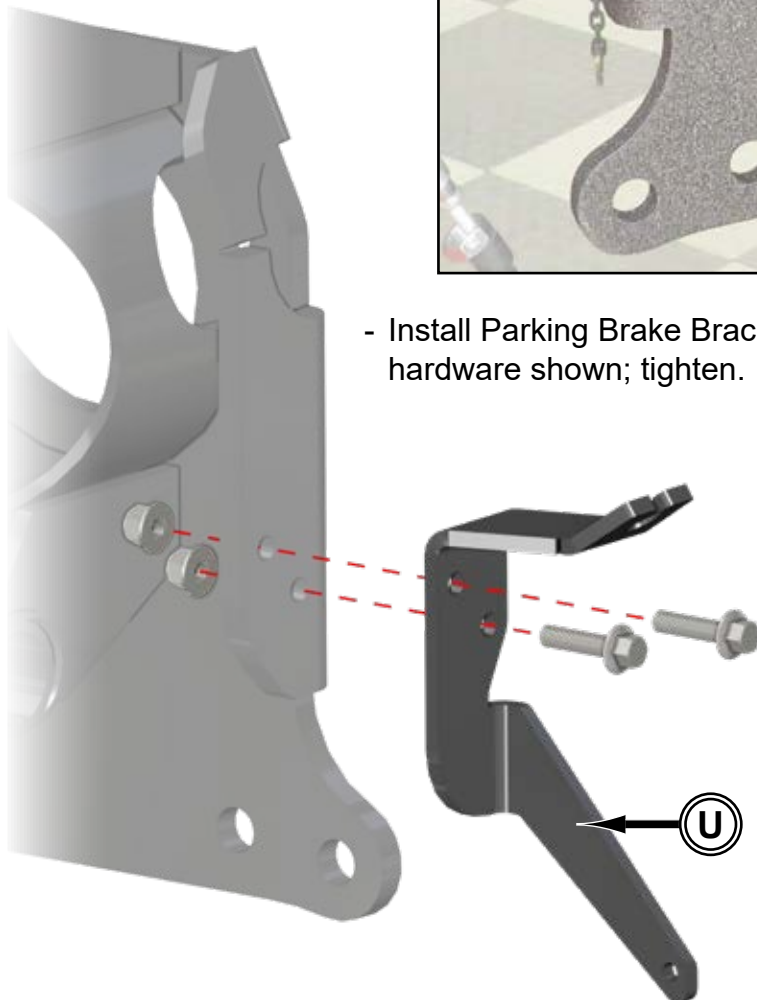
- Repeat steps for driver side installation.

Rear: *do not tighten hardware completely unless noted.*

- Secure Right Bearing Carrier (L) to Rear A-Arms with stock hardware.
- Install Rear Gear Spacer (R) onto Axle.

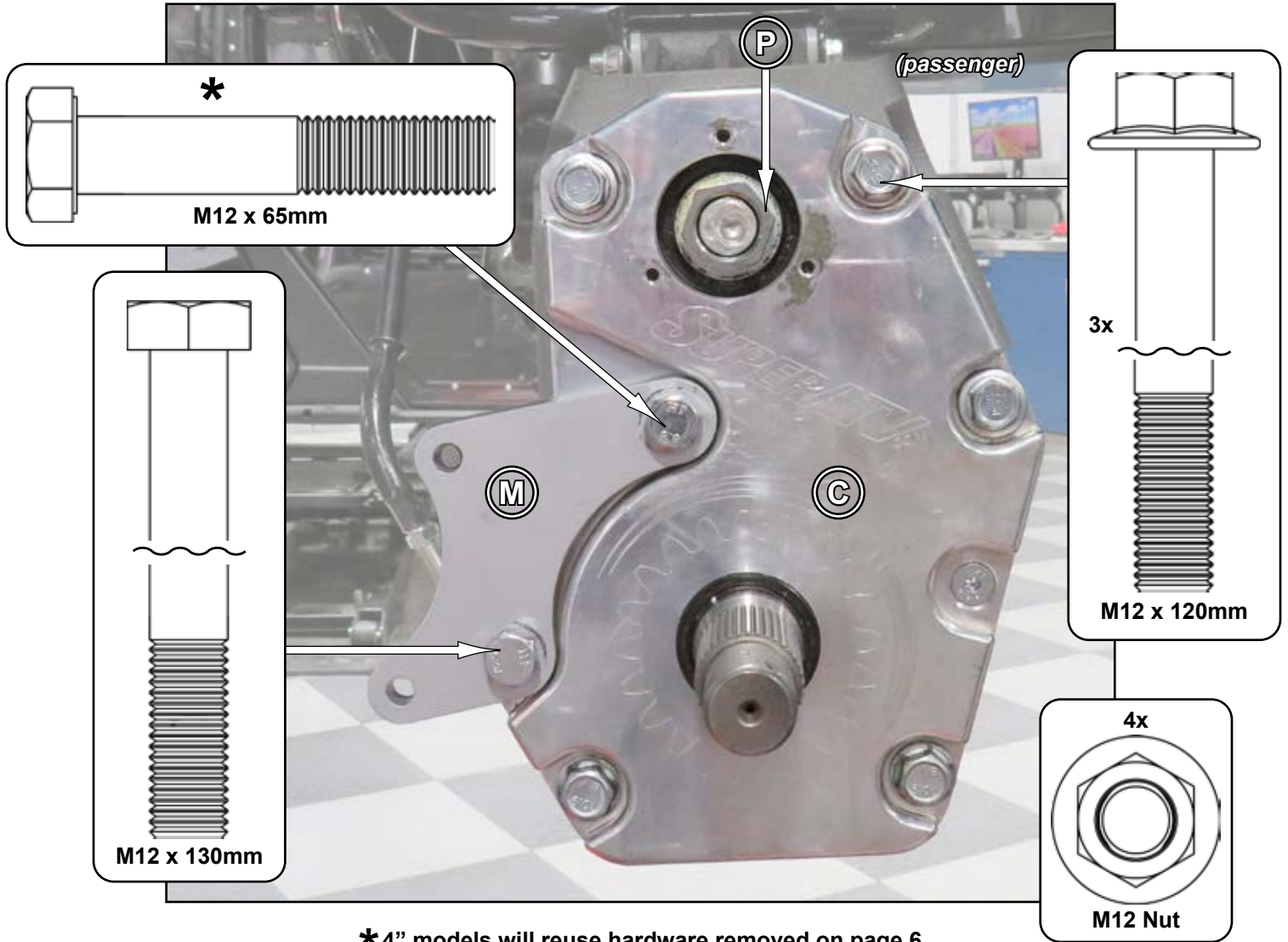


- Install Parking Brake Bracket - R (U) to Right Bearing Carrier (L) with hardware shown; tighten.

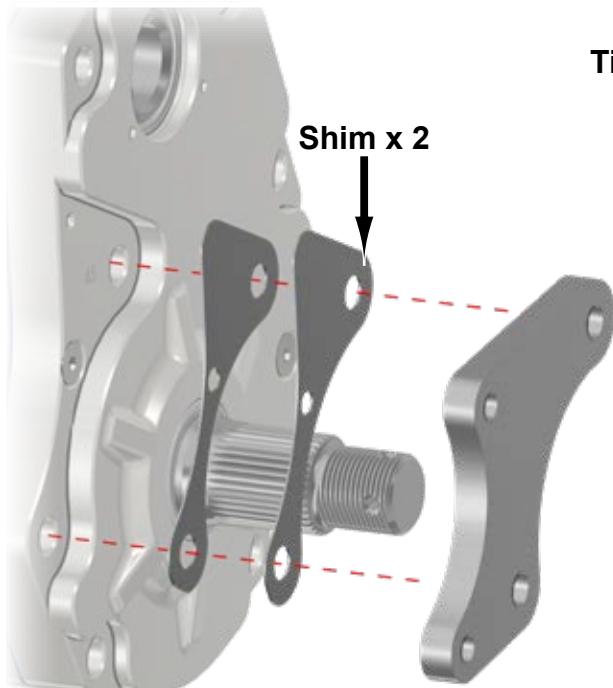


Rear continued:

- Secure Gear Box B (C), Shims, and Rear CMP (M) to Right Spindle (J) with hardware shown.
- Secure Axle with Recessed Nut - Right Rear (P); use thread locker.

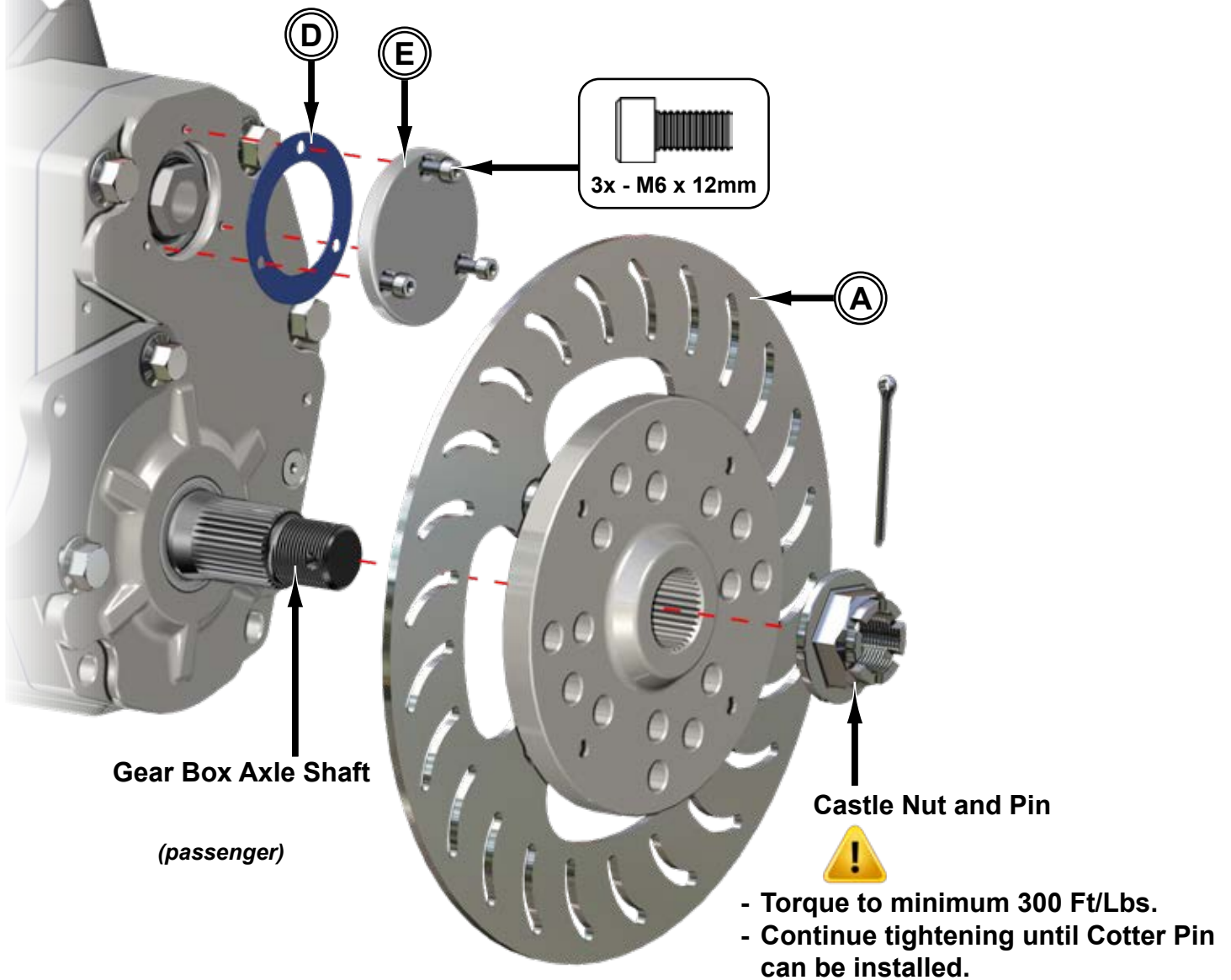


Tighten all hardware.



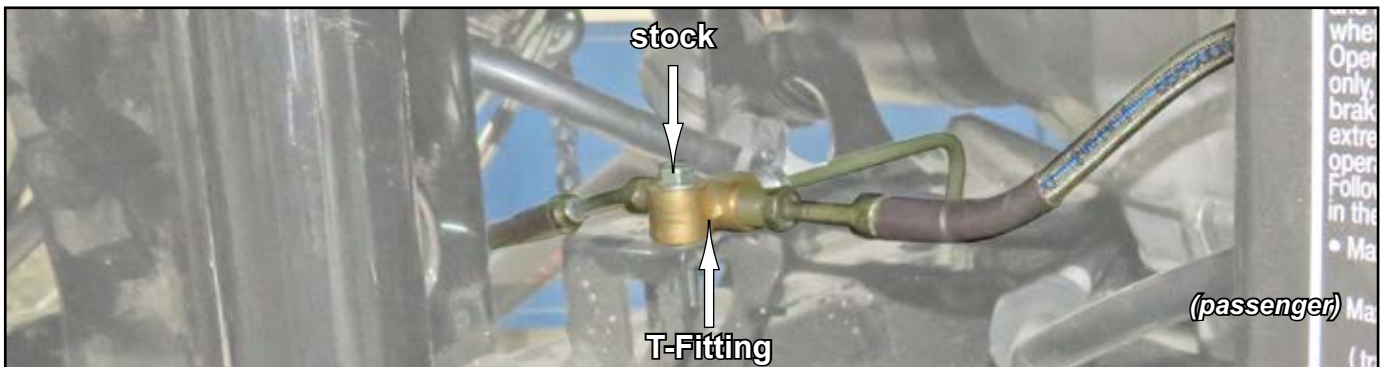
Rear continued:

- Secure Gasket (D) and Cap (E) to Gear Box with hardware shown; tighten.
- Place Rotor (A) onto Gear Box Axle Shaft. Secure with hardware shown.



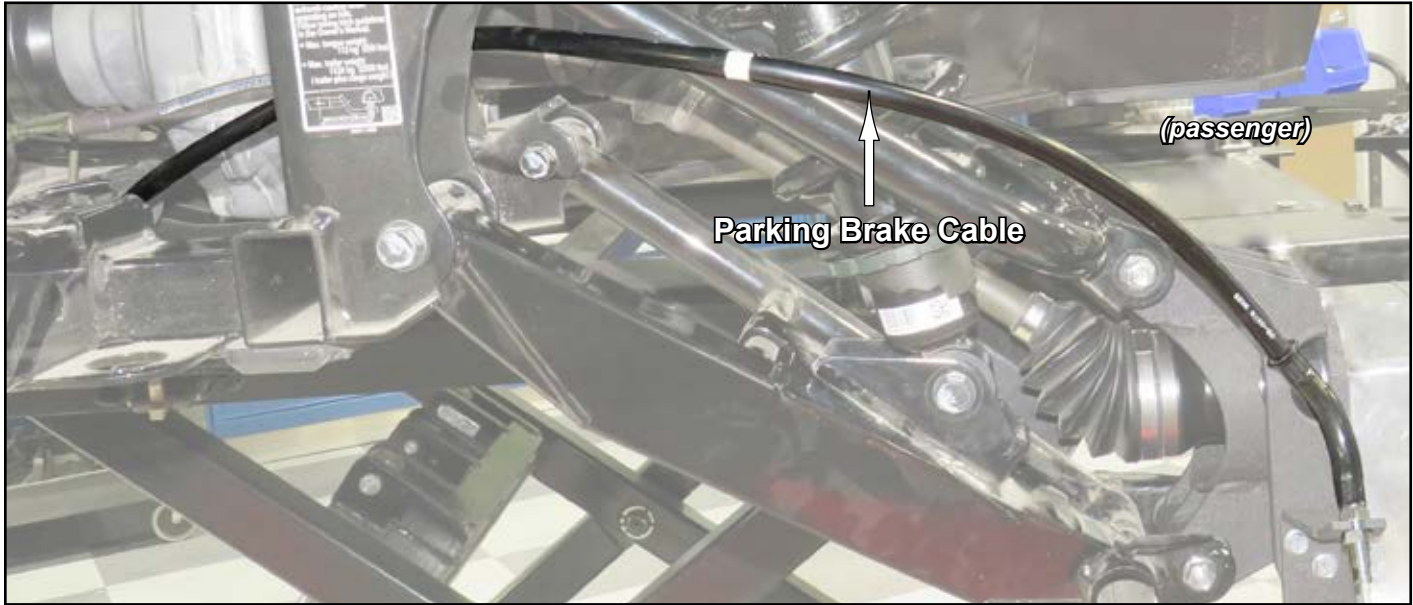
Tighten all hardware completely and repeat steps for opposite side.

- Secure Supply Line and provided Rear Brake Lines (right will be longer than left) to T-Fitting; tighten.
- Secure T-Fitting to stock location with stock hardware; tighten.



Rear continued:

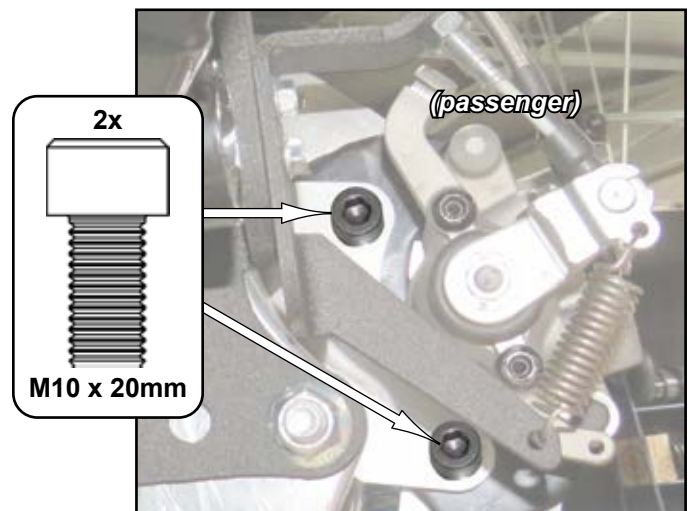
- Route Parking Brake Cable as shown.



- Install **driver side** Brake Arm and secure with stock hardware; tighten.
- Secure Parking Brake Cable.
- Reinstall Return Spring.



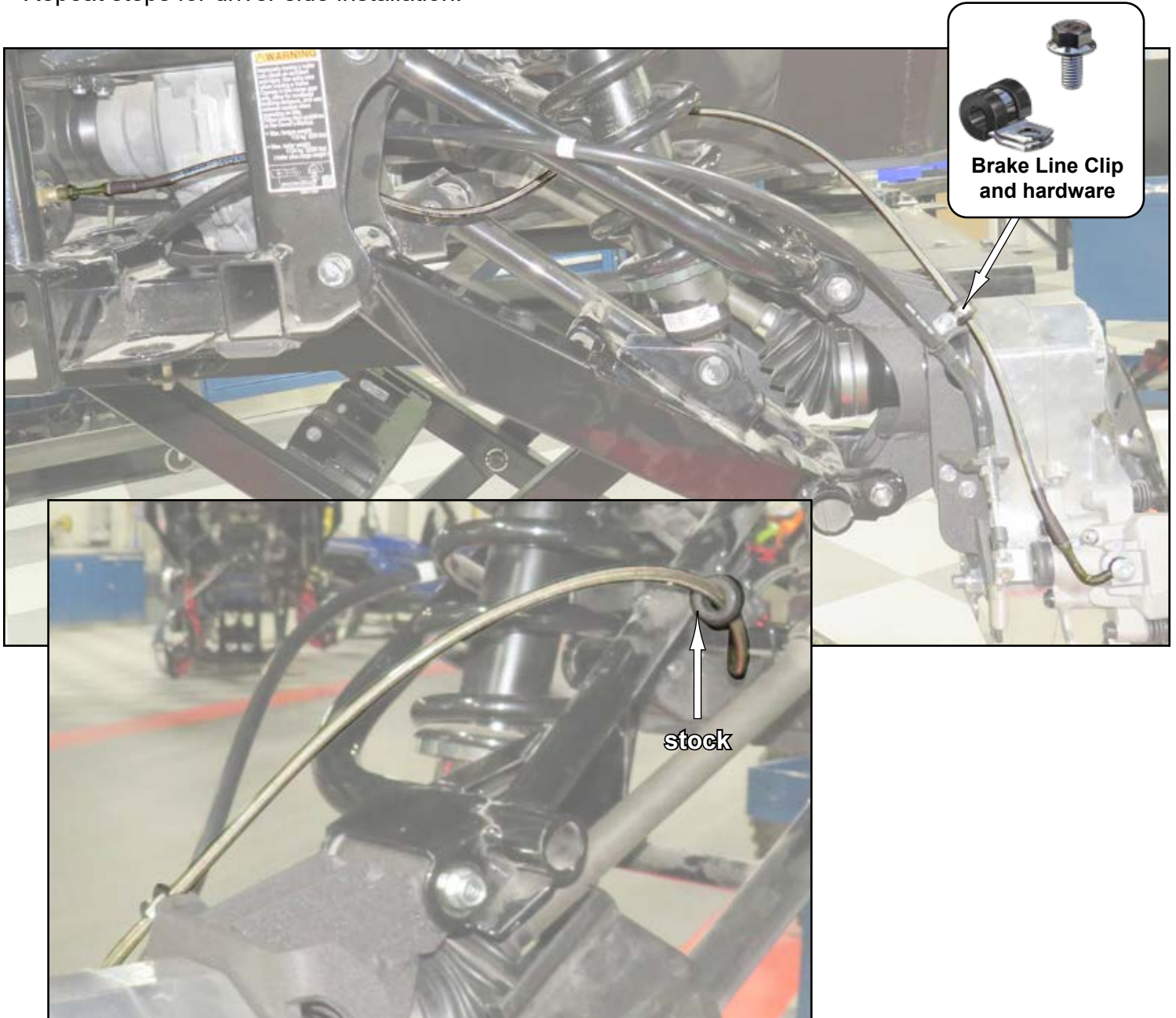
- Secure Caliper to Rear CMP (M) with hardware shown; tighten.



- Use provided Wire-Ties, as needed, to secure Parking Brake Cable.
- Ensure that no binding occurs after Parking Brake Cable has been installed and secured.
- Repeat steps for driver side installation.

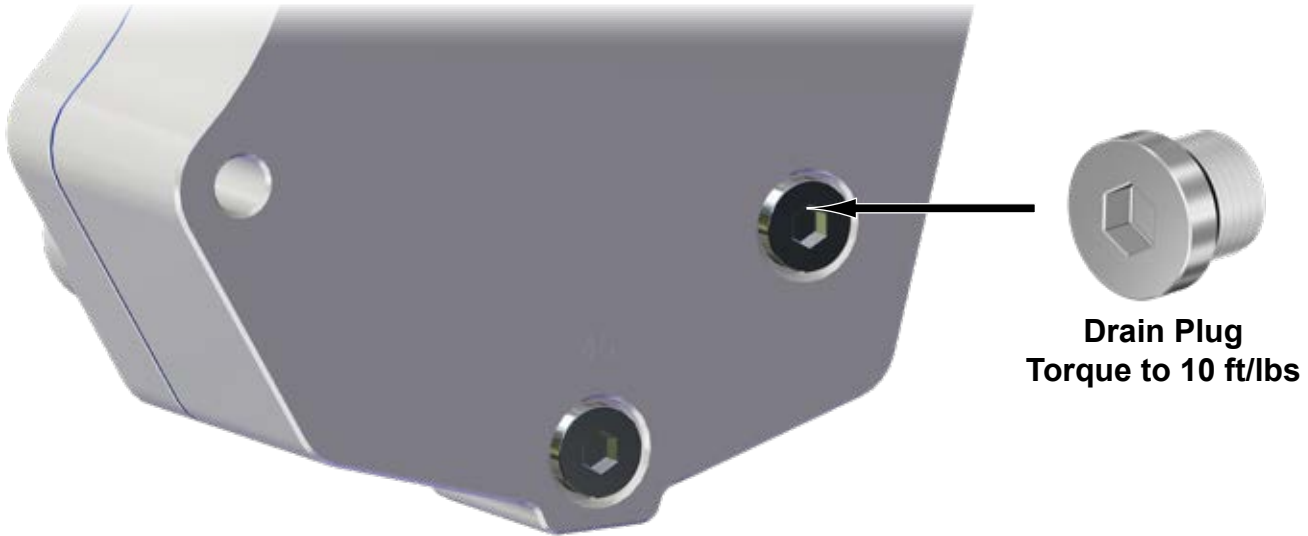
Rear continued:

- Connect Rear Brake Line to Caliper; tighten.
- Secure Rear Brake Line with components shown; tighten.
- Ensure that no binding occurs after Brake Line has been installed and secured.
- Repeat steps for driver side installation.



- Attach a hose to a funnel and fill each Gear Box with SuperATV Portal Blood.
- Fill up to fill hole.
- Install Plug.

6" Gear Box



4" Gear Box



Liability Statement

SuperATV's® products are designed to best fit user's ATV/UTV under stock conditions. Adding, modifying, or fabricating any factory or aftermarket parts will void any warranty provided by SuperATV® and is not recommended. SuperATV's® products could interfere with other aftermarket accessories. If user has aftermarket products on machine, contact SuperATV® to verify that they will work together.

Although SuperATV® has thousands of satisfied customers, user should be aware that installing lift kits, long travel, or suspension kits, tires, etc. will change the ride of machine and may increase maintenance and part wear. Operating any off-road machine while, or after, consuming alcohol and/or drugs increases risk of bodily harm or death. No warranty or representation is made as to this product's ability to protect user from severe injury or death. SuperATV® urges operators and occupants to wear a helmet and appropriate riding gear at all times.

By purchasing and installing SuperATV® products, user agrees that should damages occur, SuperATV® will not be held responsible for loss of time, use, labor fees, replacement parts, or freight charges. SuperATV®, nor any 3rd party, will not be held responsible for any direct, indirect, incidental, special, or consequential damages that result from any product purchased from SuperATV®. The total liability of seller to user for all damages, losses, and causes of action, if any, shall not exceed the total purchase price paid for the product that gave rise to the claim.

SuperATV® will warranty only parts provided by SuperATV®. Any damage or problems with OEM housings, bearings, seals, or other manufacturers' products will not be covered by SuperATV®. SuperATV® parts and products are not warranted if item was not installed properly, misused, or modified.

Installing, adding, modifying, or fabricating any factory or aftermarket product to your ATV/UTV may violate certain local, state, and federal laws. Be advised that laws vary depending on town, city, county, state, etc. Use of certain products on public streets, roads, or highways may be in violation law. The Buyer is solely and exclusively legally and personally responsible for any violation of the law by the installation or use of the product. You must abide by all local, state, and federal laws, including but not limited to vehicle safety, traffic laws, and ordinances. It is your responsibility to know the laws and how they apply to you.

The Buyer is responsible to fully understand the capability and limitations of his/her vehicle according to manufacturer specifications, warnings and instructions and agrees to hold SuperATV® harmless from any damage resulting from failure to adhere to such specifications, warnings and/ or instructions. The Buyer is also responsible to obey all applicable federal, state, and local laws and ordinances when operating his/her vehicle while using this product, and the Buyer agrees to hold SuperATV® harmless from any violation thereof.