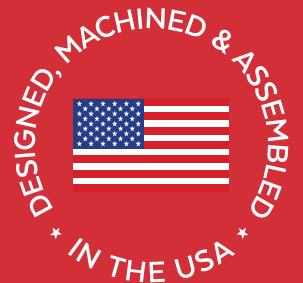




DIFSFRDTANKSPCR
DROP-IN SERIES FUEL TANK SPACER KIT
INSTALLATION MANUAL

APPLICATION:

2017-2024
6.7L
POWERSTROKE
DIFSFRD1001
With
S&B and Titan
Fuel Tanks





www.fassride.com

(866) 769.3747

**Thank you for choosing FASS, from
Diesel Performance Products, Inc.**

FASS specializes in building extremely high-quality fuel products. We have earned an unsurpassed reputation for excellence in our industry by using only the highest-quality American-made components. In order to support our American workers and our American economy, more than 98+ percent of our products are manufactured completely in the United States.

Of course, that dedication to excellence comes at a price, but it is important to remember that price does not dictate quality-quality dictates price! We will never compromise by using cheaper, foreign-made components, like so many of our competitors do.

Customer satisfaction is our top priority and we strive always to provide outstanding customer service. Our Research and Development department, in conjunction with our Dealer Support Department, continually searches for ways to improve quality, expand our product line, and provide superb support. Our exclusive ViP Network ensures that customers receive the proper products and support at the local level. There is no warranty on products not purchased outside the network.

**For more information,
contact Technical Support:
Diesel Performance Products, Inc.
16234 State Hwy O.
Marthasville, MO 63357
636-433-5410**

CONTENTS

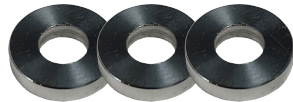
NOTE: Owner's Manual available for download on our website,
www.FASSride.com



FRD-BA-SPCR



(3) 93203
1/4-20x.75"
SHCS



(3)
XT-WASHER-250



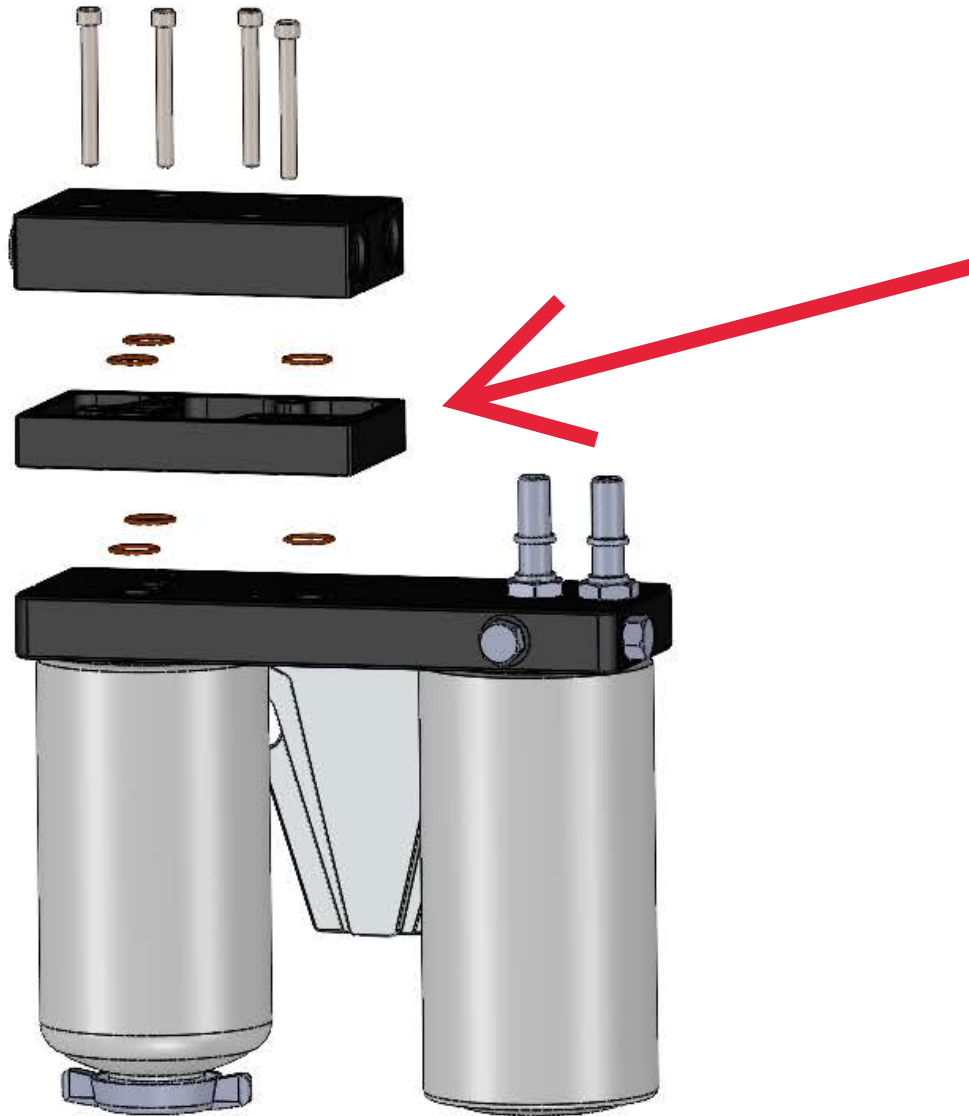
(6) OR-017



(4) 93212
1/4-20X2.25"
SHCS

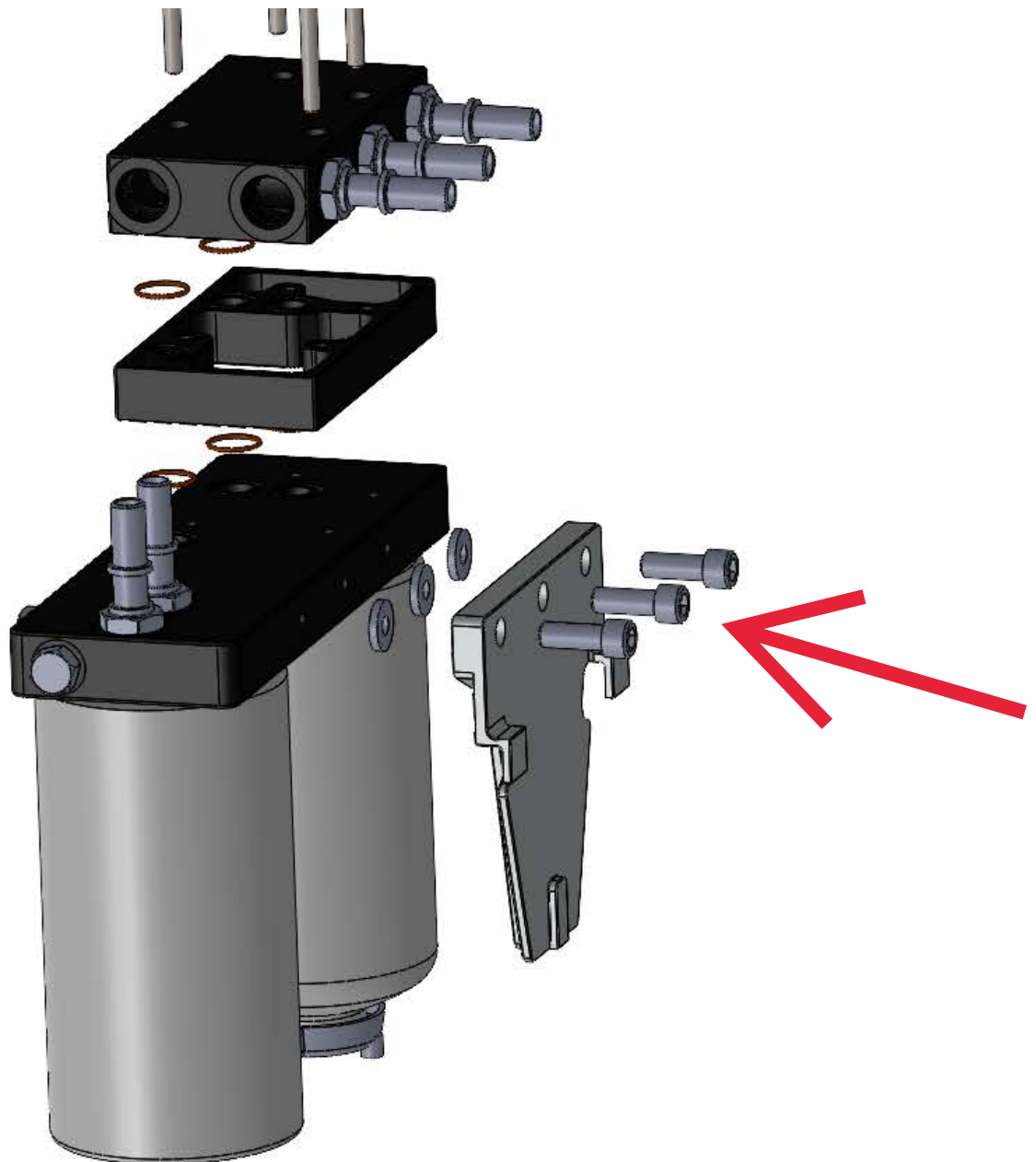
STEP 1: **INSTALL SPACER KIT**

A. Remove the four bolts securing the top section of the FASS assembly and discard the old o-rings. Using the six supplied OR-017 and four 1/4-20x2.25" bolts, install the spacer and the top section of the FASS assembly. Torque the four bolts to 110 in/lbs.



STEP 2: **INSTALL MOUNTING BRACKET**

B. Using the three supplied XT-WASHER-250 spacers and 1/4-20x.75" bolts, install FRD-DIFS-BRK-1001 onto the FASS and torque to 110 in/lbs. Proceed with the installation per the Drop-In Series installation manual.



STEP 2: **INSTALL MOUNTING BRACKET**

C. NOTE: When installing the DIFSFRD1001 with a Titan Fuel Tank, you must use XT-WASHER-250 between the FASS bracket and the Titan Fuel Tank bracket as pictured below!

THE S&B TANK DOES NOT REQUIRE THIS WASHER!

Continue with the installation per the Drop-In Series installation manual.

