

INSTALLATION INSTRUCTIONS

Bed Winch Mount Kit: BWM-P-GEN



Center Mount



**Left & Right
Bed Rail
Mounts**



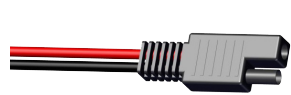
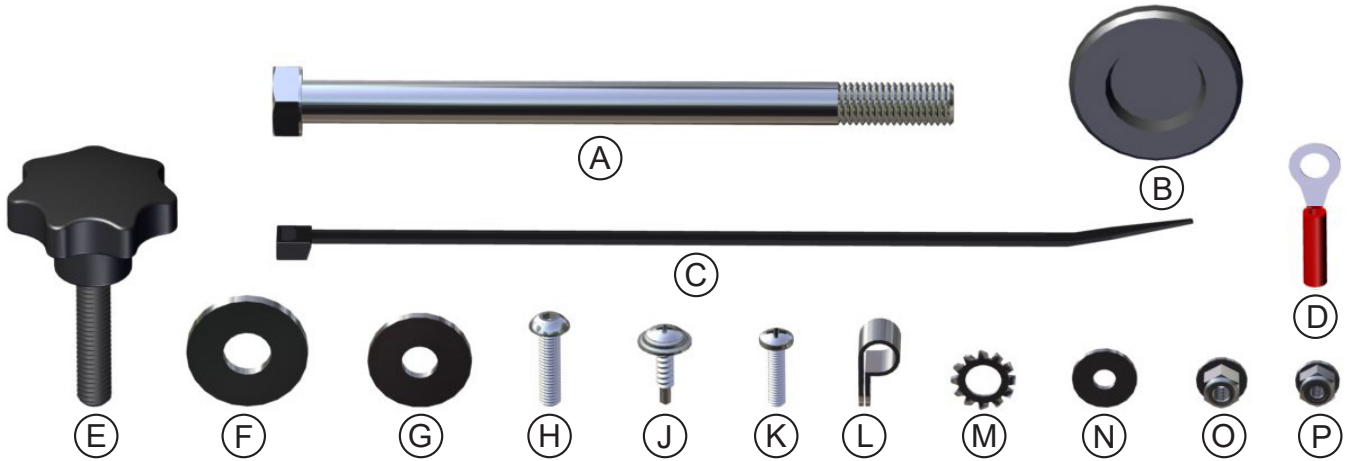
**Left & Right
Mounting
Brackets**



**Remote
Holder**



**Spacers
(4pcs)**



**Extension
Harness**



**Wiring
Harness**



**Crimp Terminals
(4pcs)**

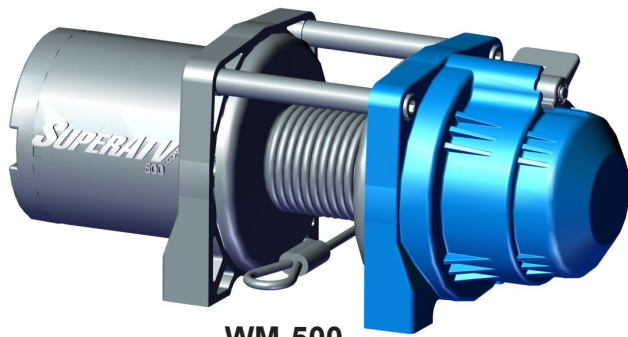


**Heat
Shrink
Tube
(1pc)**

Item	Description	Qty
A	M10X50 Hex Bolt	4
B	Rubber Grommet	1
C	Cable Tie	10
D	Red Terminal	1
E	M8 Hand Knob	4
F	M10 Flat Washer	4
G	M8 Flat Washer	4
H	M5x20 Button Head	4

Item	Description	Qty
J	#8 Self-Tapping	1
K	M4x16 Pan Head	3
L	Brake Line Clip	1
M	M8 Tooth Lock Washer	4
N	M5 Fender Washer	7
O	M5 Nylock Nut	4
P	M4 Nylock Nut	3

WM-500 Winch Kit Items



**WM-500
Motor**



Fairlead



Winch Hook



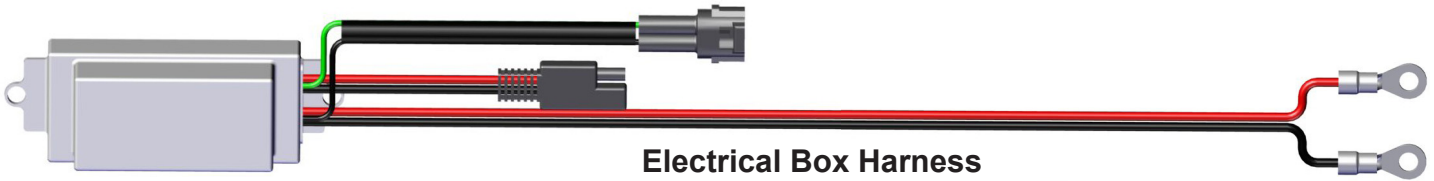
Hook Pull Strap



Corded Remote



Electrical Connector Harness



Electrical Box Harness



**M5x20
Hex Flanged
(2pcs)**



**M5
Nylock Nut
(2pcs)**



**M6x20
Hex Flanged
(6pcs)**



**M6
Nylock Nut
(6pcs)**



**M10x30
Hex Socket
(2pcs)**



**M10
Nylock Nut
(2pcs)**

Installation

1. The first thing you need to do is remove the hood for access. See Fig.1.



Fig.1

2. Next is to mount the Winch Motor onto the Center Mount Bar using the **M6x20 Hex Flanged** bolts provided in the Winch Kit. Tighten securely. See **Fig.2**.

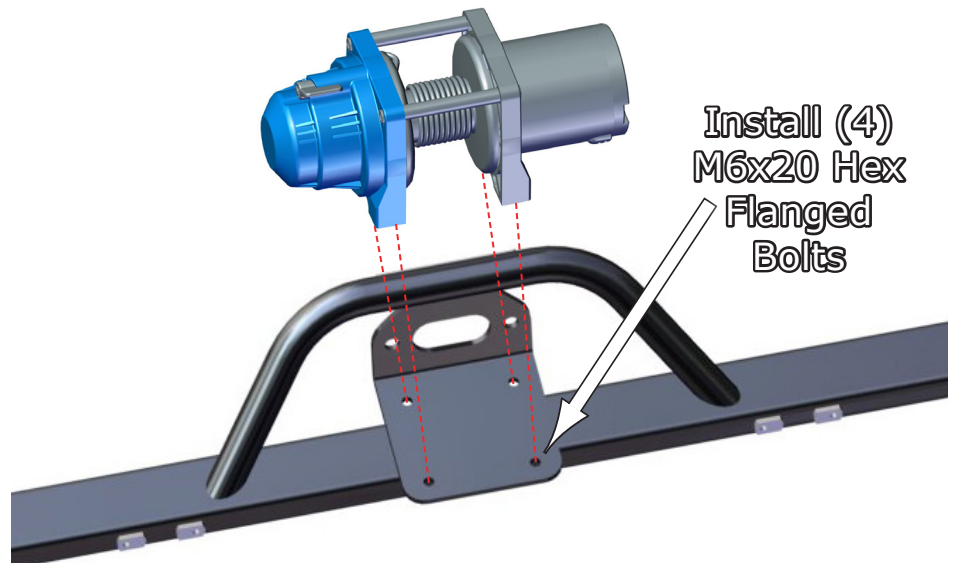


Fig.2



3. Then install the **Fairlead** using the **M10x30 Hex Socket** bolts and **M10 Nylock Nuts** from your Winch Kit. Then install the Hook and Pull Strap. See **Fig.3**.

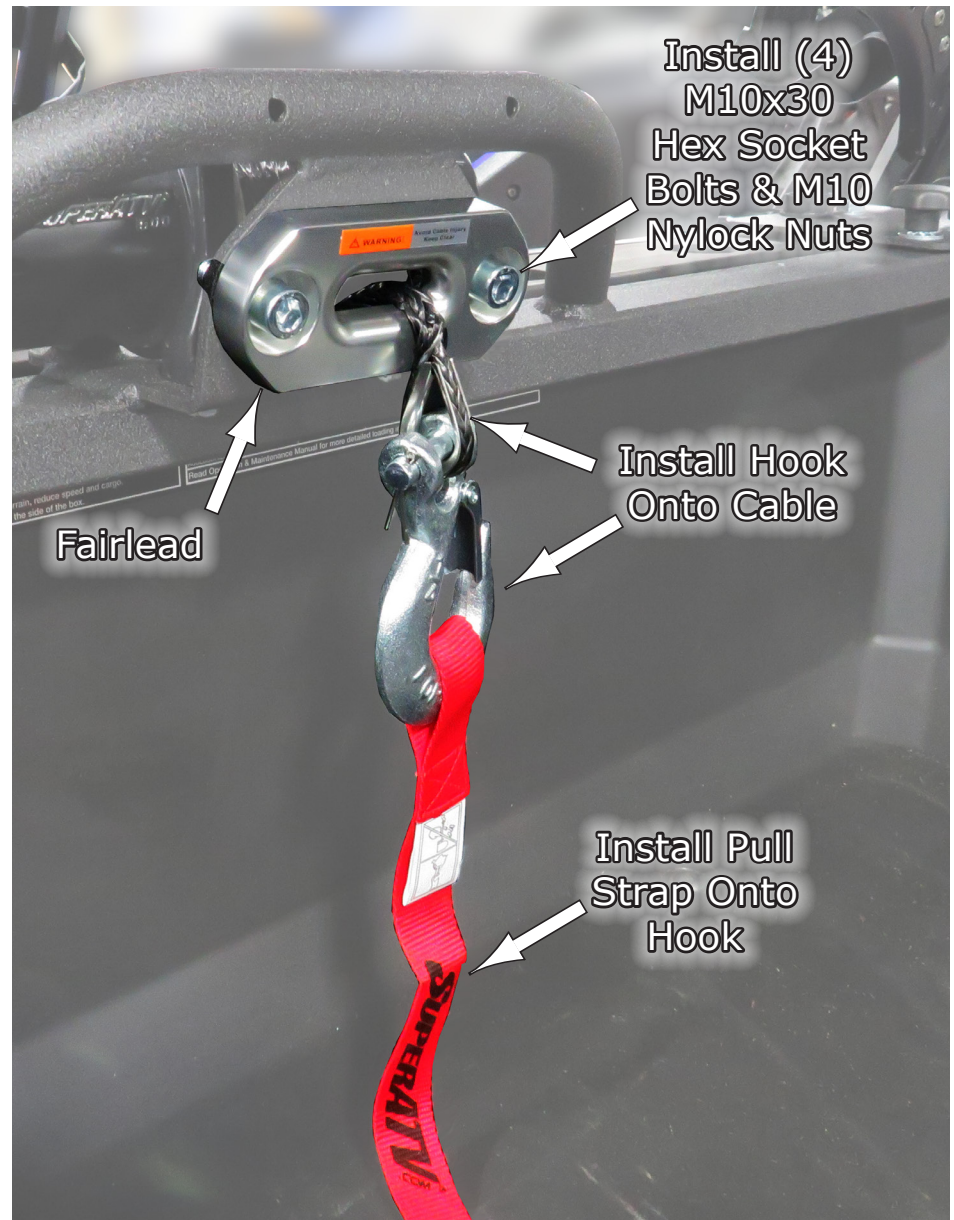


Fig.3



4. Next you will need to prepare to mount the rest of the mounting brackets onto the bed. The first thing is to insert the **Spacers** into two of the left and right corner holes as shown in **Fig.4**.

5. Then you will need to install the **Bed Rail Mounts** along with the **Mounting Brackets** and hardware as shown in **Fig.5a-c**. **Fig.5c** shows a view from up underneath and how the long bolts screw into the **Mounting Brackets**. One end is a little hard to see, but can still be easily threaded in. Repeat for opposite side.

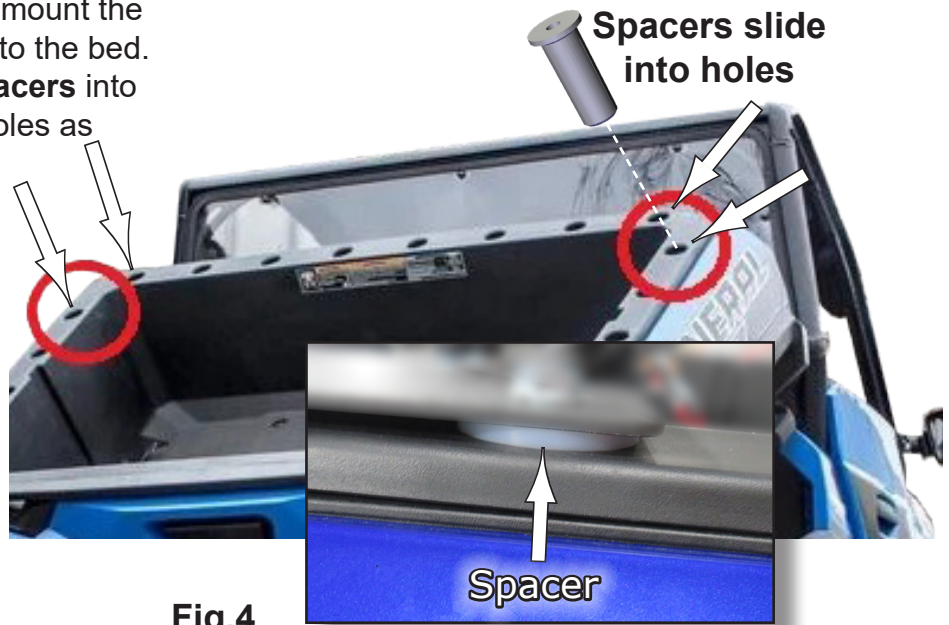


Fig.4

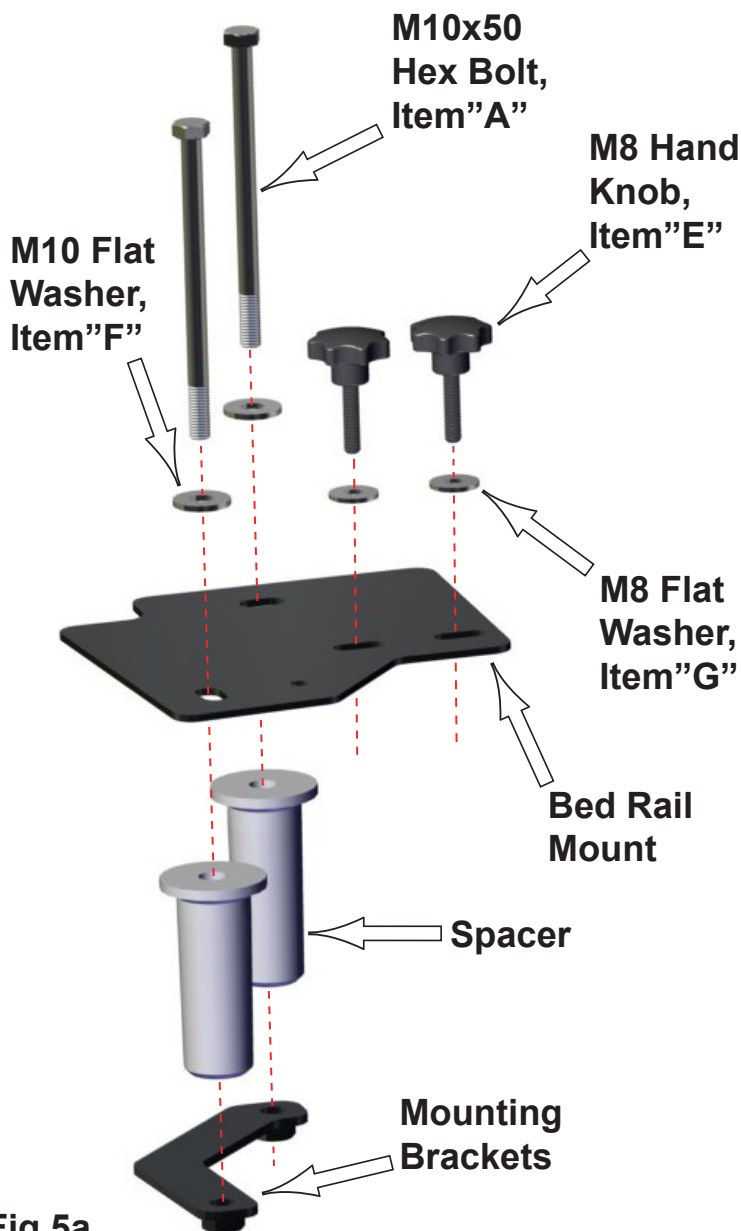


Fig.5a

Knobs & Washers Only Needed To Install The Main Center Mount Assembly To The Corner Bed Rail Mounts.

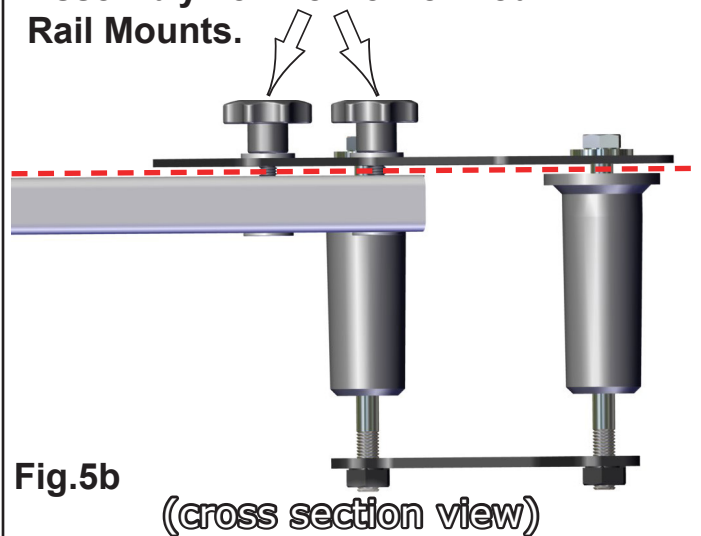


Fig.5b

(cross section view)

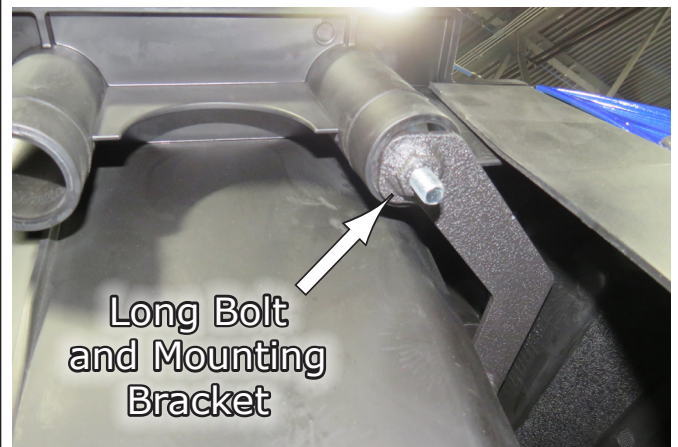


Fig.5c

6. Now, after the corner bracing is installed on both left and right corners, You now mount the main **Center Mount** bar with the Winch onto the **Corner Bed Rail Mounts** using the **Hand Knobs** provided in your kit. Tighten securely. Repeat for opposite side. See **Fig.6**.

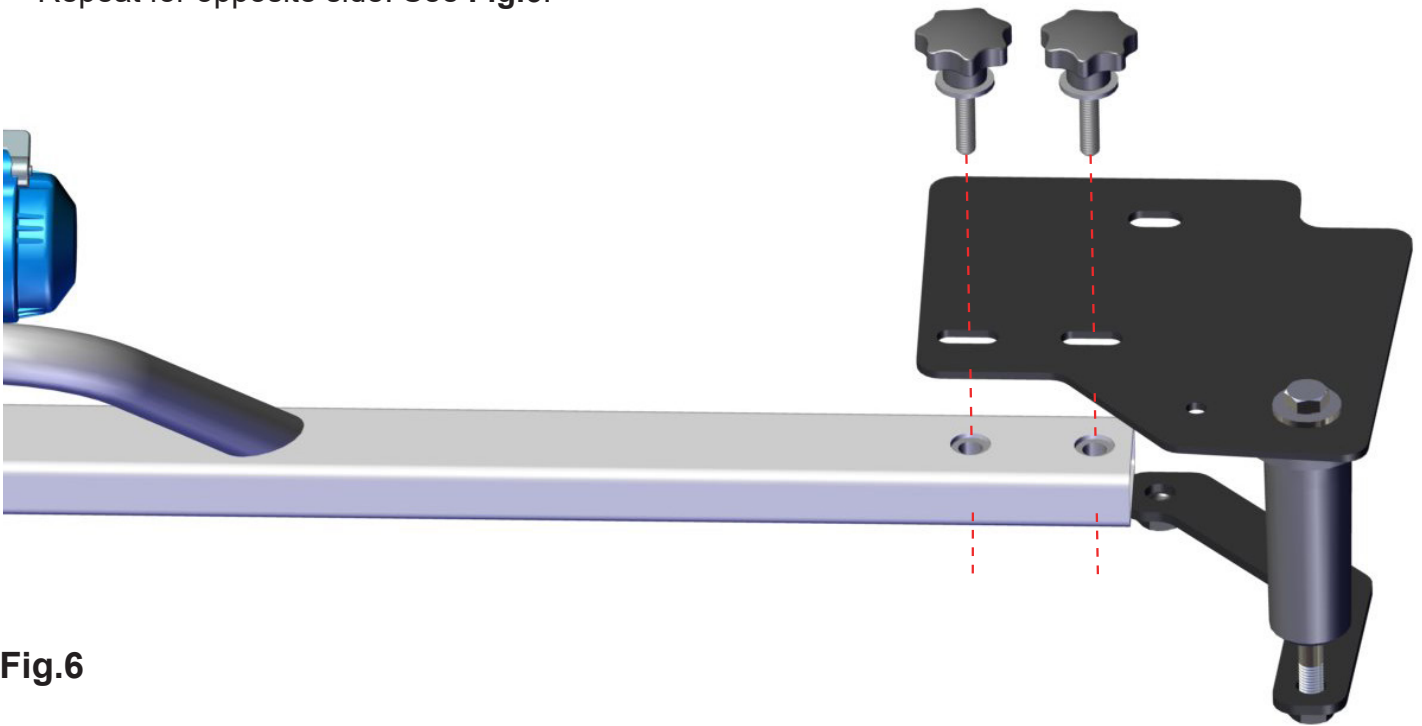


Fig.6

7. You are now ready to start running the wiring harnesses and hooking up everything. The first thing to do is to remove the seats, both Driver and Passenger. Then on the Passenger's side remove the plastic panel directly behind the passenger's seat as shown in **Fig.7a**.

Fig.7b shows inside the compartment where you will mount the **Electrical Control Box** there as we did and will run the wiring harnesses thru a rubber grommet as well.



Fig.7a

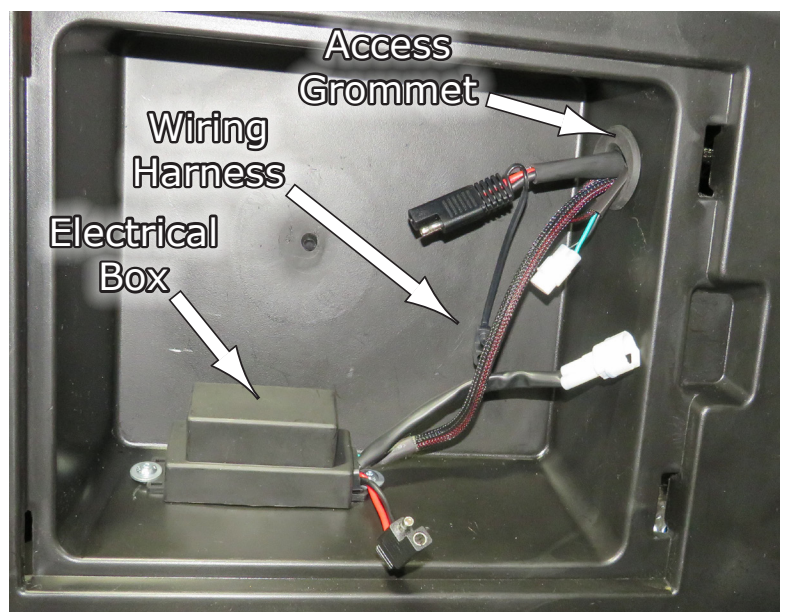


Fig.7b

8. Before you can run any harness cable to other areas, you'll need to **drill a 1-1/4"-1-5/16" hole** in the sidewall of the storage area so you can insert the **Rubber Grommet, Item "B"** provided in your kit. Drill the hole and clear any sharp burrs or areas from the cut edges and pop the grommet in the hole so the plastic of the walls fits into the groove of the Grommet. You will also need to cut a slit in the center to allow the harnesses and wires to pass through. See Fig.8.

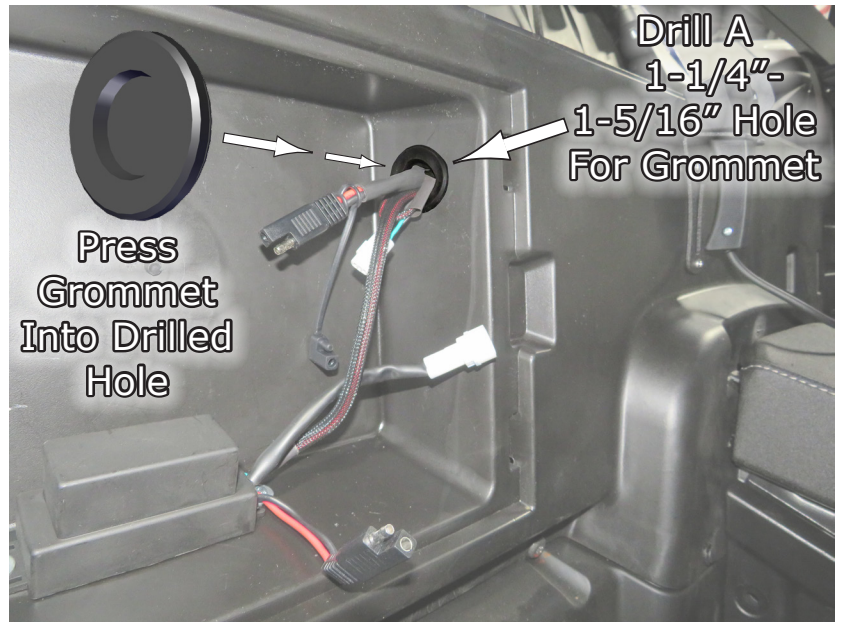
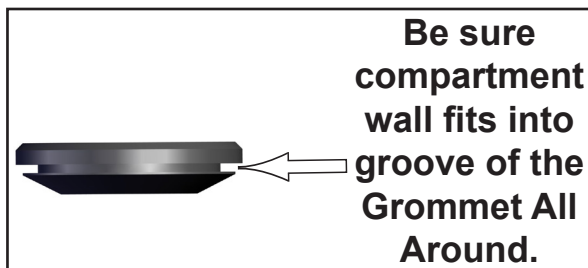


Fig.8



9. You will mount the **Electrical Box** using the **M5x20 Button Head, Item "H"**, **M5 Washer, Item "N"** and **M5 Nylock Nut, Item "O"** provided in your kit. You will need to drill thru the plastic after you mark the screw locations. Fig.9a shows the general area to mount the box.

Fig.9b shows the outer side behind the compartment showing the screws and installing the **M5 Nylock Nuts**. Tighten securely.

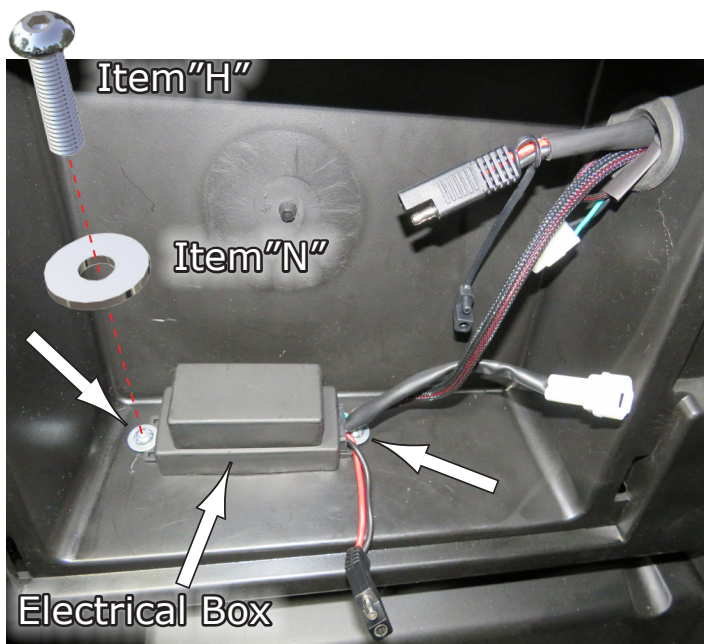


Fig.9a

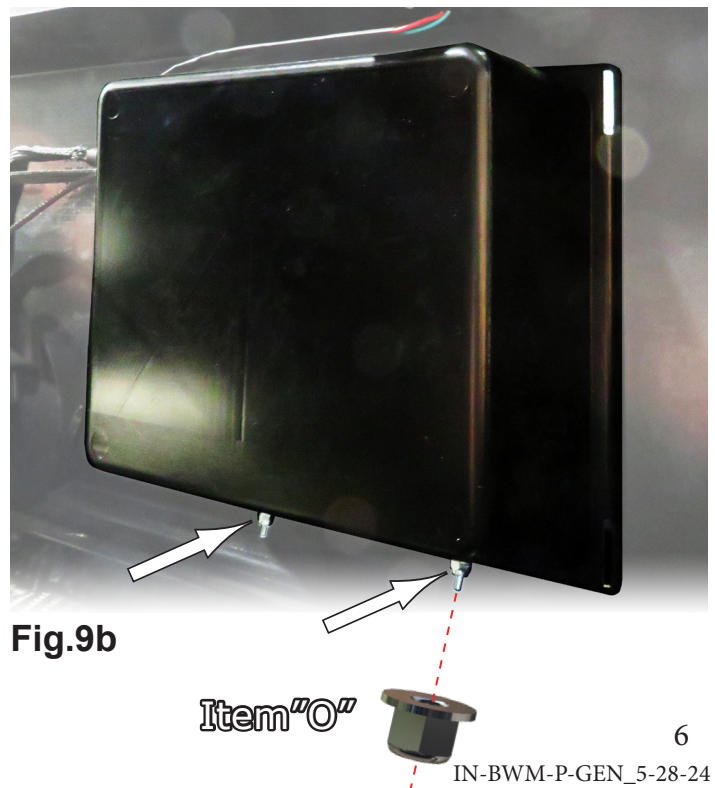


Fig.9b

10. Next you'll see the three main cables in that compartment. The **Fig.10a** is the **Winch Connector Cable** that goes to the Winch. **Fig.10b** shows the cable for the **Corded Remote**, and the other half going thru the grommet is coming from the plug socket in the next steps. And **Fig.10c** shows the **Power Hook-up Cable** to the battery.



Fig.10a

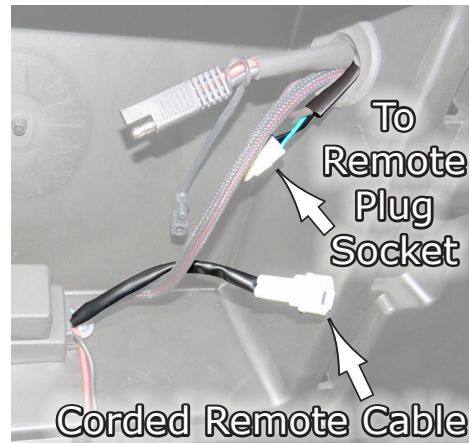


Fig.10b

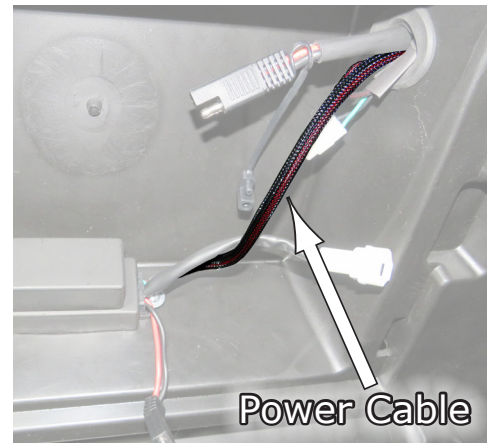


Fig.10c

11. Now you need to install the **Electrical Connector Harness Plug** for the remote. **Fig.11a** shows this plug already installed for location purposes. To install it, you will need to **drill a 1" hole** in the plastic so that the plug socket will fit up thru it. After drilling the hole, then you will mount the plug socket using the **M5x20 Button Head, Item"H"**, the **M5 Washer, Item"N"** and the **M5 Nylock Nut, Item"O"** provided in your kit. **Fig.11b** shows the under side of the plastic and how the socket fits thru the hole you drilled and the Nylock Nuts installed. Tighten Nylock Nuts securely.

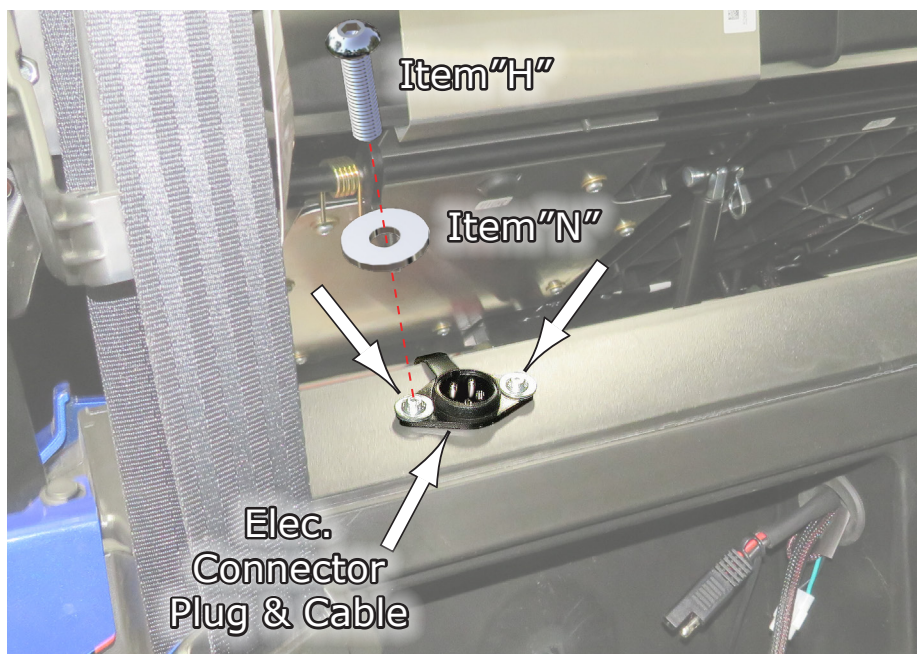


Fig.11a



Fig.11b

12. After the connector plug is installed, then connect the plugs together for the **Winch** and the **Remote** as shown in **Fig.12**.

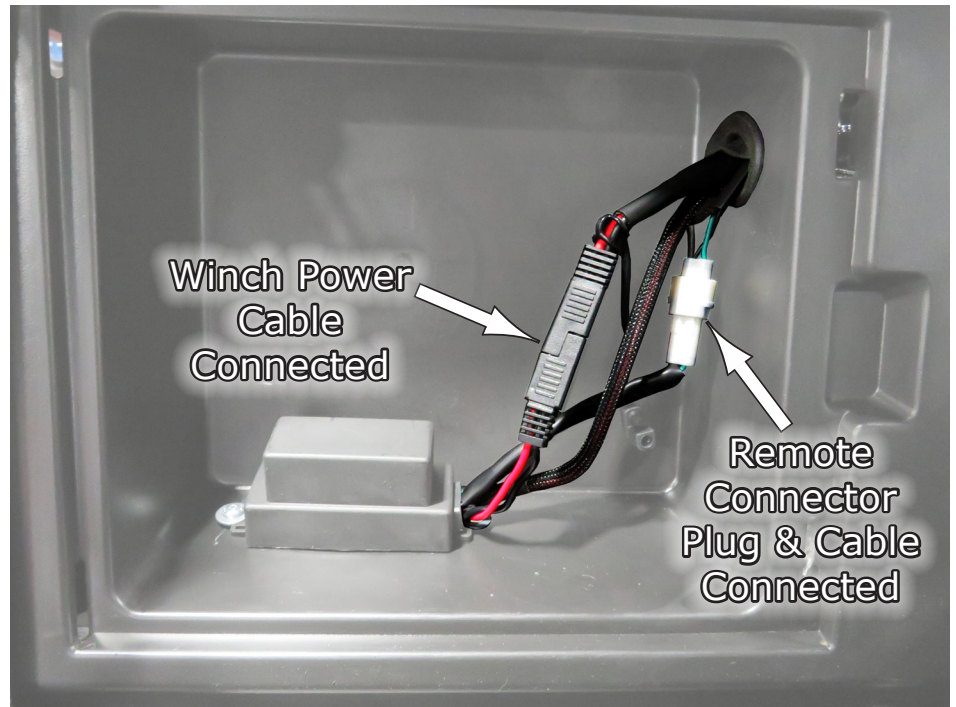


Fig.12

13. Once the connectors are all plugged in you'll need to install the **Remote Holder** in a general location as shown in **Fig.13a**. You install the Holder using the **M4x16 Pan Head screw, Item "K"** and the **M4 Nylock Nut, Item "P"** provided in your kit. **Fig.13b** shows the M4 screws coming thru the back side of the console where to install the **Nylock Nuts**.



Fig.13a

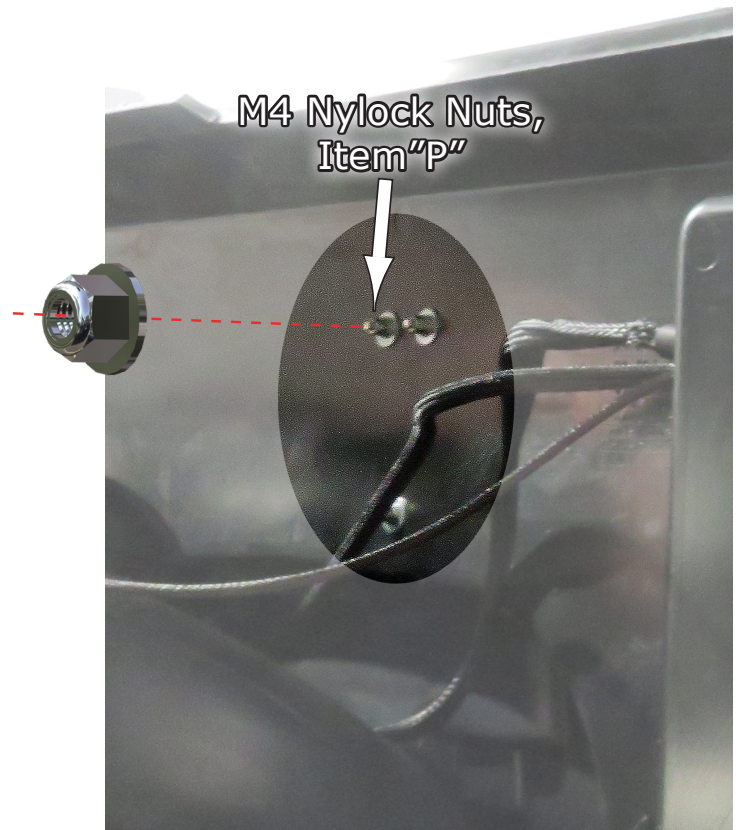


Fig.13b

14. After the holder is installed it is ready to use. Make sure it is plugged into the other half of the harness connecting it together for use.



15. Fig.15 shows the cable harness and wires coming out of the storage compartment Grommet that you previously installed. We will be routing the harness and wires from here to all the other locations.

The first one to route to the front is the “Key On” or “Accessory On” cable. This is the thin but real long one shown in Fig.15. This cable routes down and towards the front.

16. From Fig.15, the cable drops down and over to behind the Driver’s seat, then forward to under the Driver’s seat to the Battery area. Fig.16a shows dropping down to follow tube. Fig.16b shows cable following the large tube to under the Driver’s seat battery area.



Fig.14

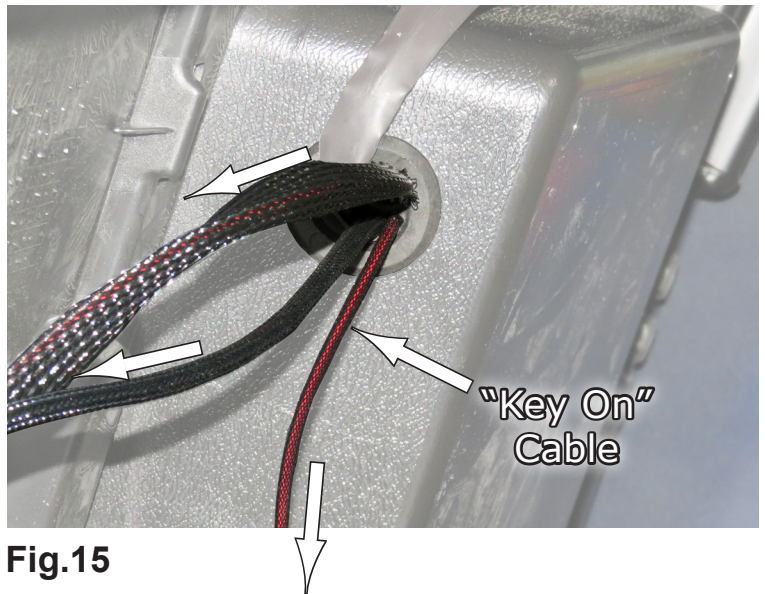


Fig.15

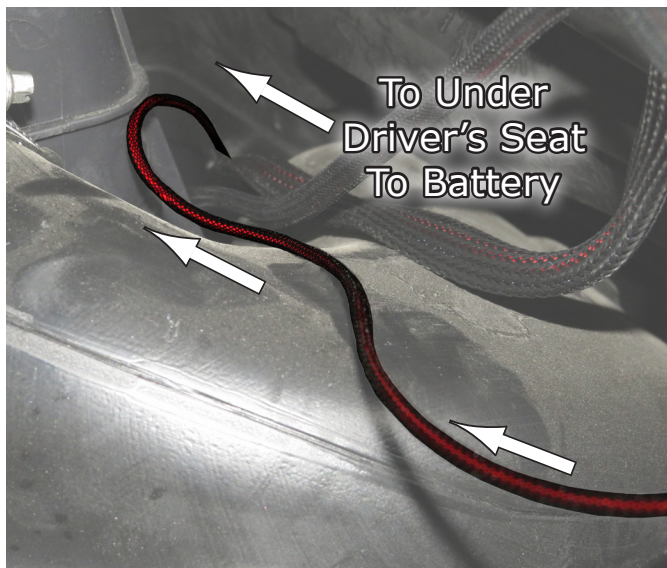


Fig.16a

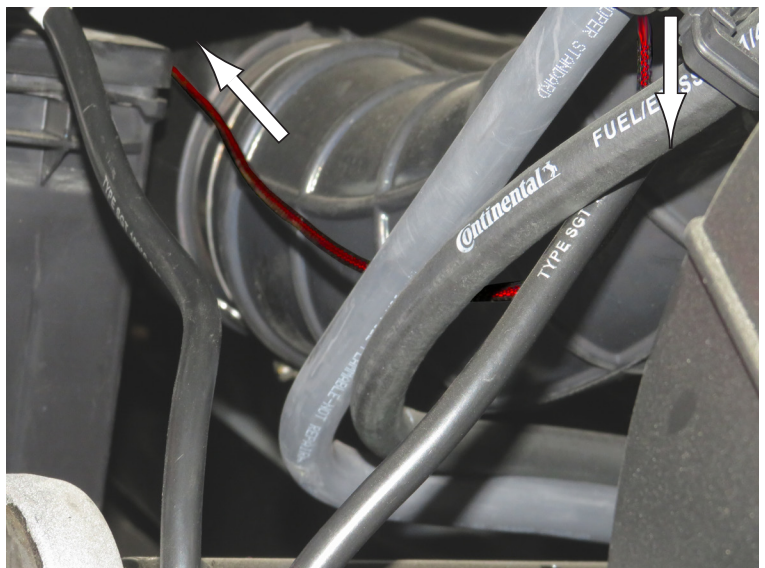


Fig.16b

17. Then pull the cable up thru the battery compartment and feed it inside the console along the Driver's side routing towards the front ready to cross over to the Passenger's side. **Fig.17** shows this routing. Notice you will have some excess cable to wrap up and secure when all cables have been hooked up. We left our slack in the floorboard for now until all is hooked up and complete.

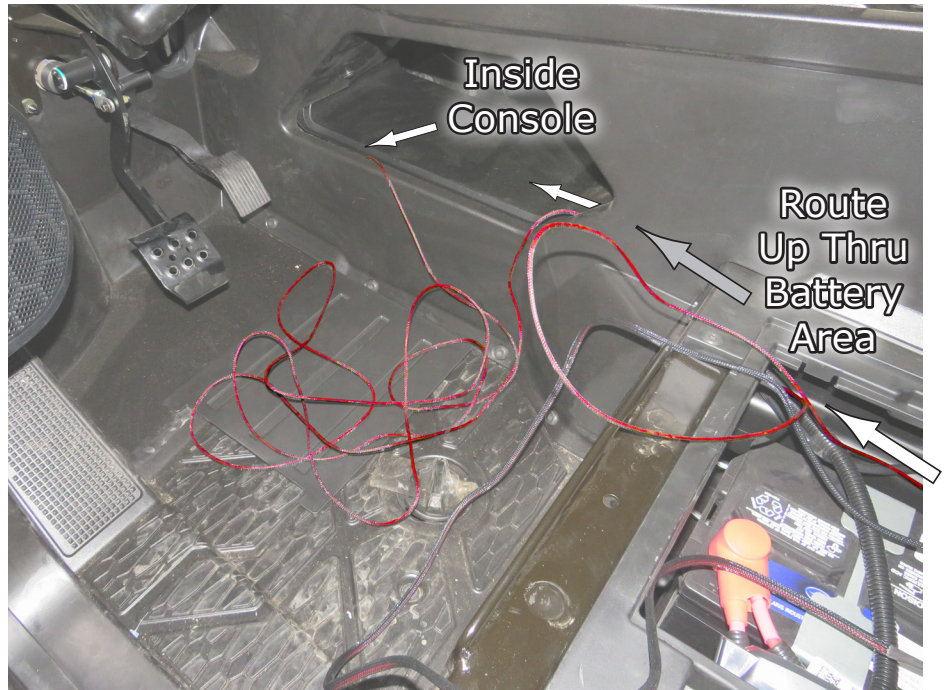


Fig.17



18. Now cross the cable over to the Passenger's side of the console, **Fig.8a**, and feed it forward thru the firewall so that it comes out as shown in **Fig.8b**. Then feed it upwards towards the top.



Fig.18a



Fig.18b

19. Now go up top to the hood compartment and remove the large grommet in the center of the compartment, and feed the harness connector up and out thru it as shown in **Fig.19a**. **Fig.19b** shows a wider view.

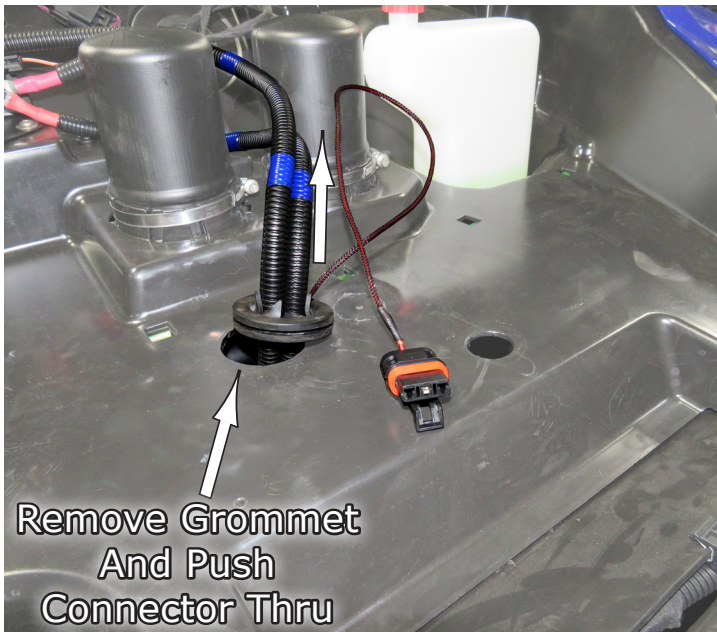


Fig.19a



Fig.19b

20. After pull out the Key On cable where you removed the grommet from, you will need to plug it into the Accessory Bar in the far right plug next to the big Red clip to the right as shown in **Fig.20**. The far right plug has a dead plug in to keep it clean while not in use, so remove it to plug in your Key On connector. This is for new machines. Older machines see next step.

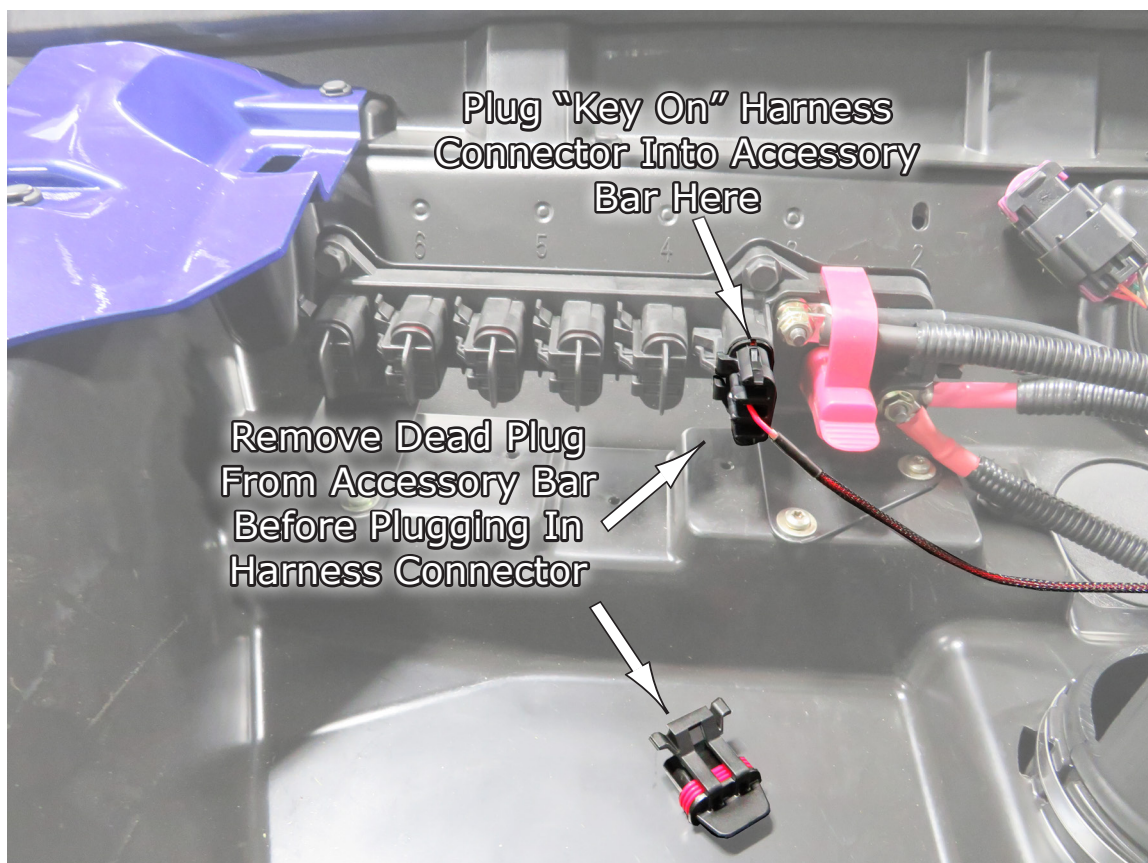


Fig.20

21. If you have an older machine, you may not have an accessory bar as shown in **Fig.20**, and will not be able to use the harness connector shown in **Fig.20**. If this is the case, all you need to do is cut the harness connector off and crimp on the **Ring Terminal** provided in your kit, **Item"D"** to hook up to a different location. See **Fig.21**.

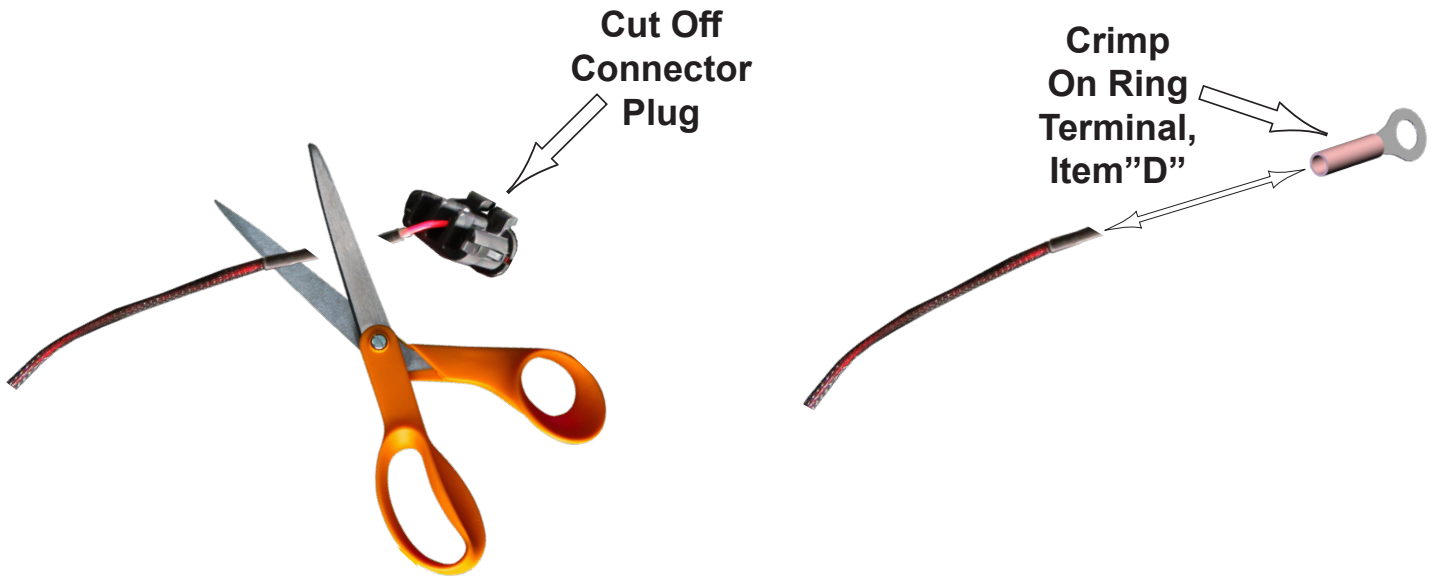
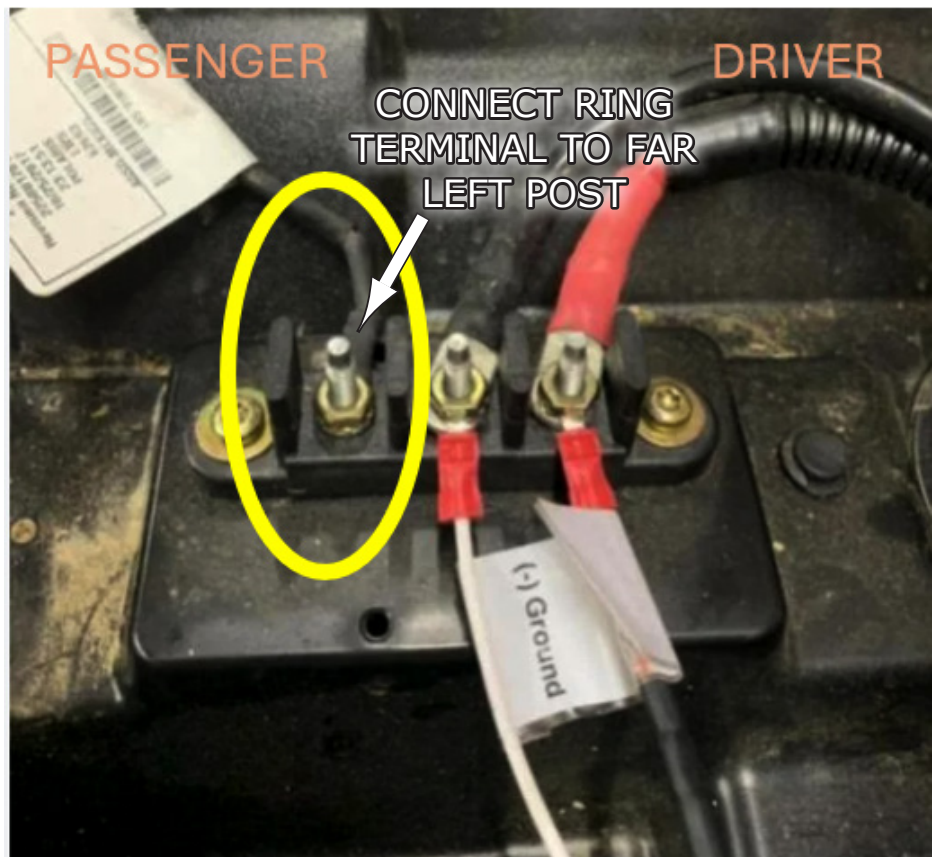


Fig.21



22. After you have the **Ring Terminal** crimped on, now you connect it to the Far Left Terminal which is only +12V when the key is on. Connect it here as shown in **Fig.22**.

Fig.22

23. Then run the **Two Ring Terminal Cable Harness** from the Elec Box (Red & Black) and feed it down to under the Driver's seat to the Battery compartment as shown in **Fig.23a-b**.

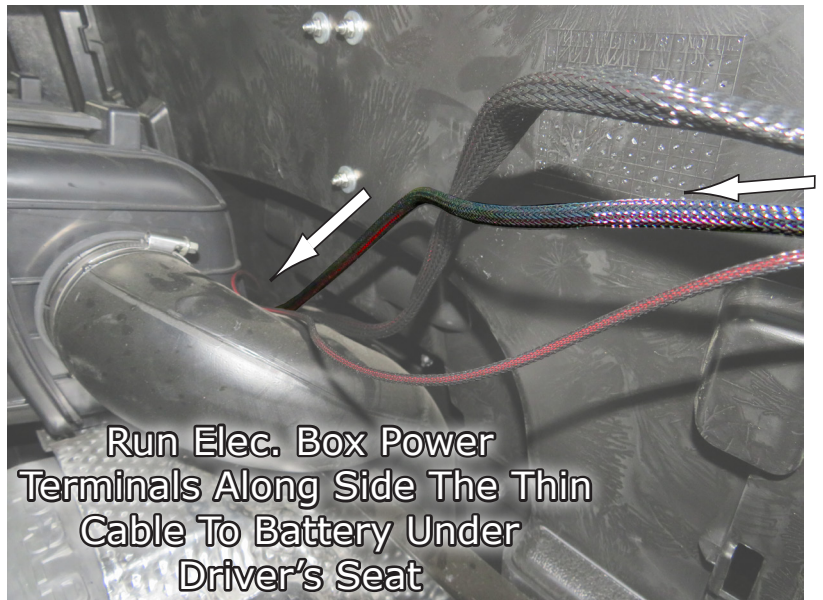


Fig.23a



Fig.23b



24. Now hook up the **Red Ring Terminal** to the +12V on your battery, and the **Black Ring Terminal** to battery Ground as shown in **Fig.24**.

Now test your system to make sure it's functioning properly.

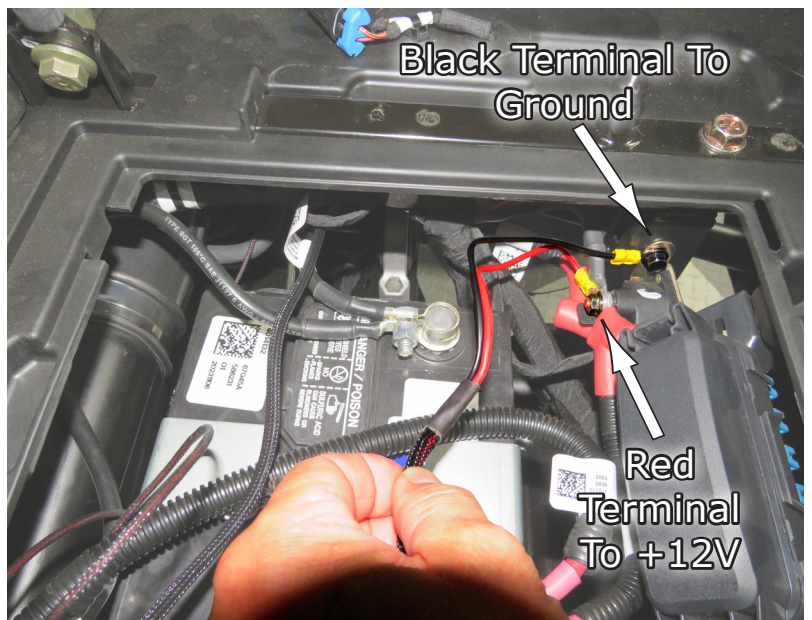


Fig.24



Liability Statement

SuperATV's® products are designed to best fit user's ATV/UTV under stock conditions. Adding, modifying, or fabricating any factory or aftermarket parts will void any warranty provided by SuperATV® and is not recommended. SuperATV's® products could interfere with other aftermarket accessories. If user has aftermarket products on machine, contact SuperATV® to verify that they will work together.

Although SuperATV® has thousands of satisfied customers, user should be aware that installing lift kits, long travel, or suspension kits, tires, etc. will change the ride of machine and may increase maintenance and part wear. Operating any off-road machine while, or after, consuming alcohol and/or drugs increases risk of bodily harm or death. No warranty or representation is made as to this product's ability to protect user from severe injury or death. SuperATV® urges operators and occupants to wear a helmet and appropriate riding gear at all times.

By purchasing and installing SuperATV® products, user agrees that should damages occur, SuperATV® will not be held responsible for loss of time, use, labor fees, replacement parts, or freight charges. SuperATV®, nor any 3rd party, will not be held responsible for any direct, indirect, incidental, special, or consequential damages that result from any product purchased from SuperATV®. The total liability of seller to user for all damages, losses, and causes of action, if any, shall not exceed the total purchase price paid for the product that gave rise to the claim.

SuperATV® will warranty only parts provided by SuperATV®. Any damage or problems with OEM housings, bearings, seals, or other manufacturers' products will not be covered by SuperATV®. SuperATV® parts and products are not warranted if item was not installed properly, misused, or modified.

Installing, adding, modifying, or fabricating any factory or aftermarket product to your ATV/UTV may violate certain local, state, and federal laws. Be advised that laws vary depending on town, city, county, state, etc. Use of certain products on public streets, roads, or highways may be in violation law. The Buyer is solely and exclusively legally and personally responsible for any violation of the law by the installation or use of the product. You must abide by all local, state, and federal laws, including but not limited to vehicle safety, traffic laws, and ordinances. It is your responsibility to know the laws and how they apply to you.

The Buyer is responsible to fully understand the capability and limitations of his/her vehicle according to manufacturer specifications, warnings and instructions and agrees to hold SuperATV® harmless from any damage resulting from failure to adhere to such specifications, warnings and/ or instructions. The Buyer is also responsible to obey all applicable federal, state, and local laws and ordinances when operating his/her vehicle while using this product, and the Buyer agrees to hold SuperATV® harmless from any violation thereof.

If you have any problems/questions on this kit, contact us by email at Superatv.com.

Need help with your installation?



sales@superatv.com



www.superatv.com



1-855-743-3427



8:00am - 9:00pm EST M-Th
8:00am - 7:00pm EST Friday
9:00am - 2:00pm EST Saturday

*Thank You
For Choosing*



Like SuperATV on Facebook to keep up to date on new products!