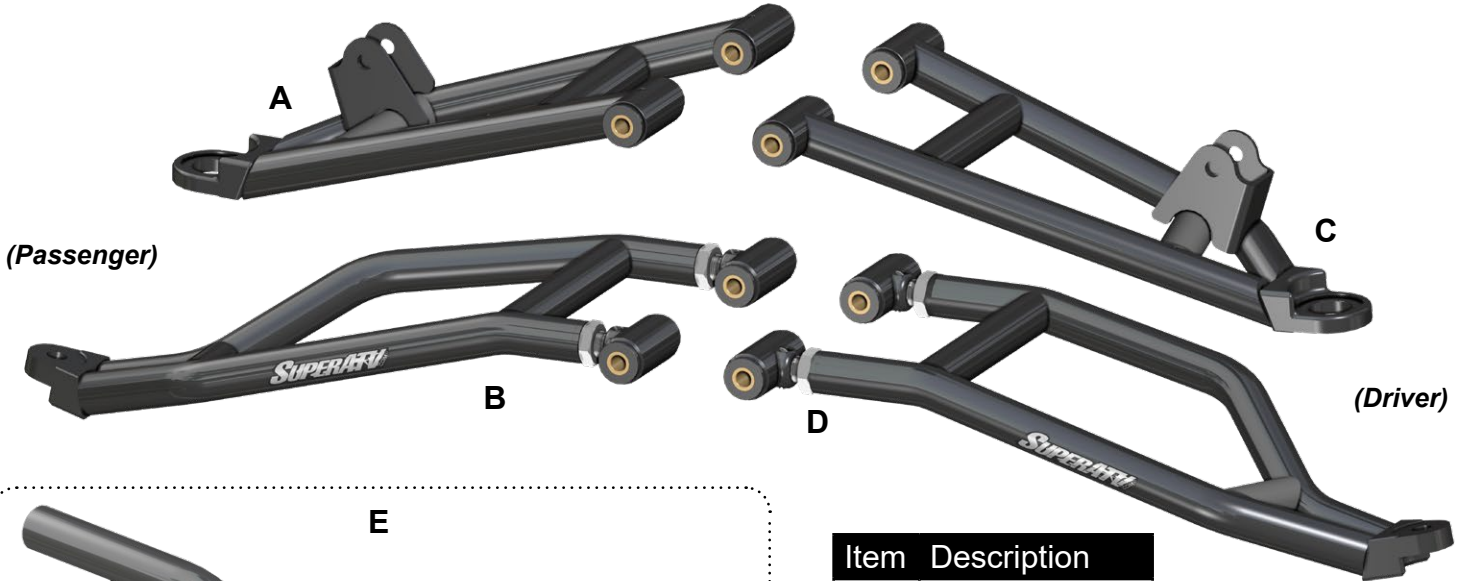


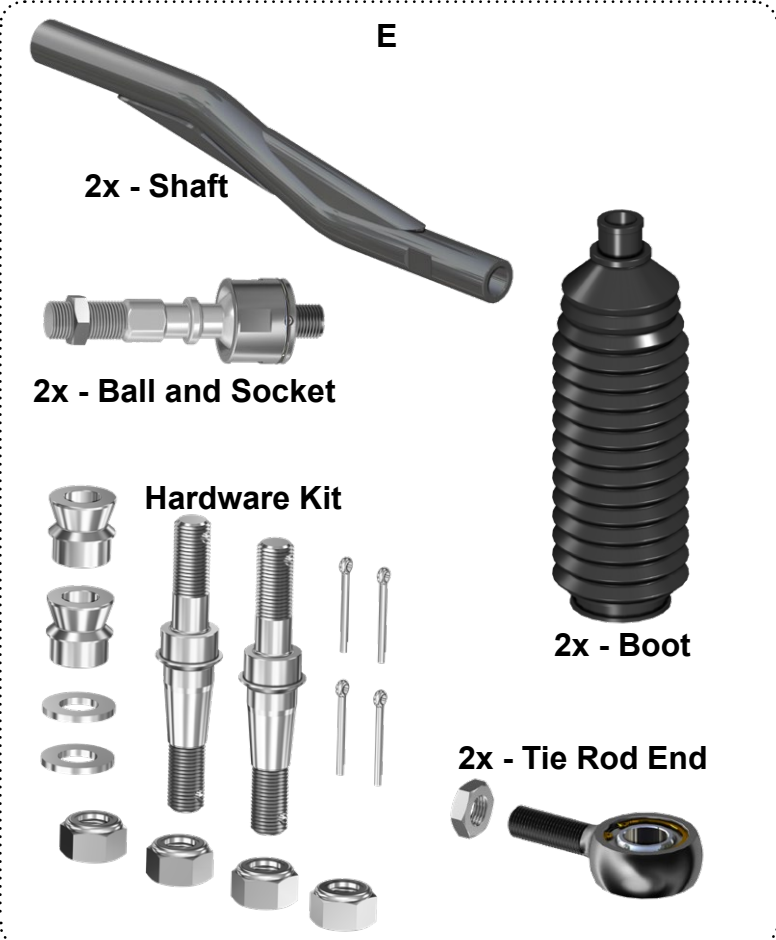
INSTALLATION INSTRUCTIONS
Front High Clearance 1-1/2" Offset A-Arms:
for Kawasaki Mule FXT™

A Press or Ball Joint tool is required to remove and install Ball Joints.

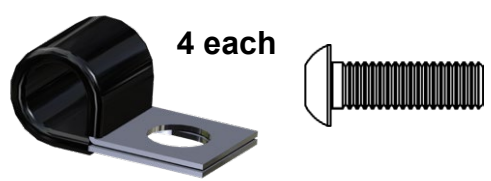
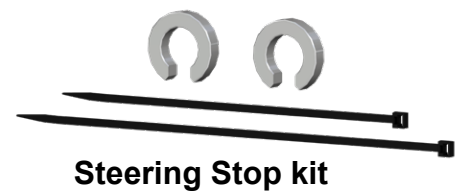


(Passenger)

(Driver)



Item	Description
A	Upper A-Arm - R
B	Lower A-Arm - R
C	Upper A-Arm - L
D	Lower A-Arm - L
E	Tie Rod Kit



Need help with your installation?

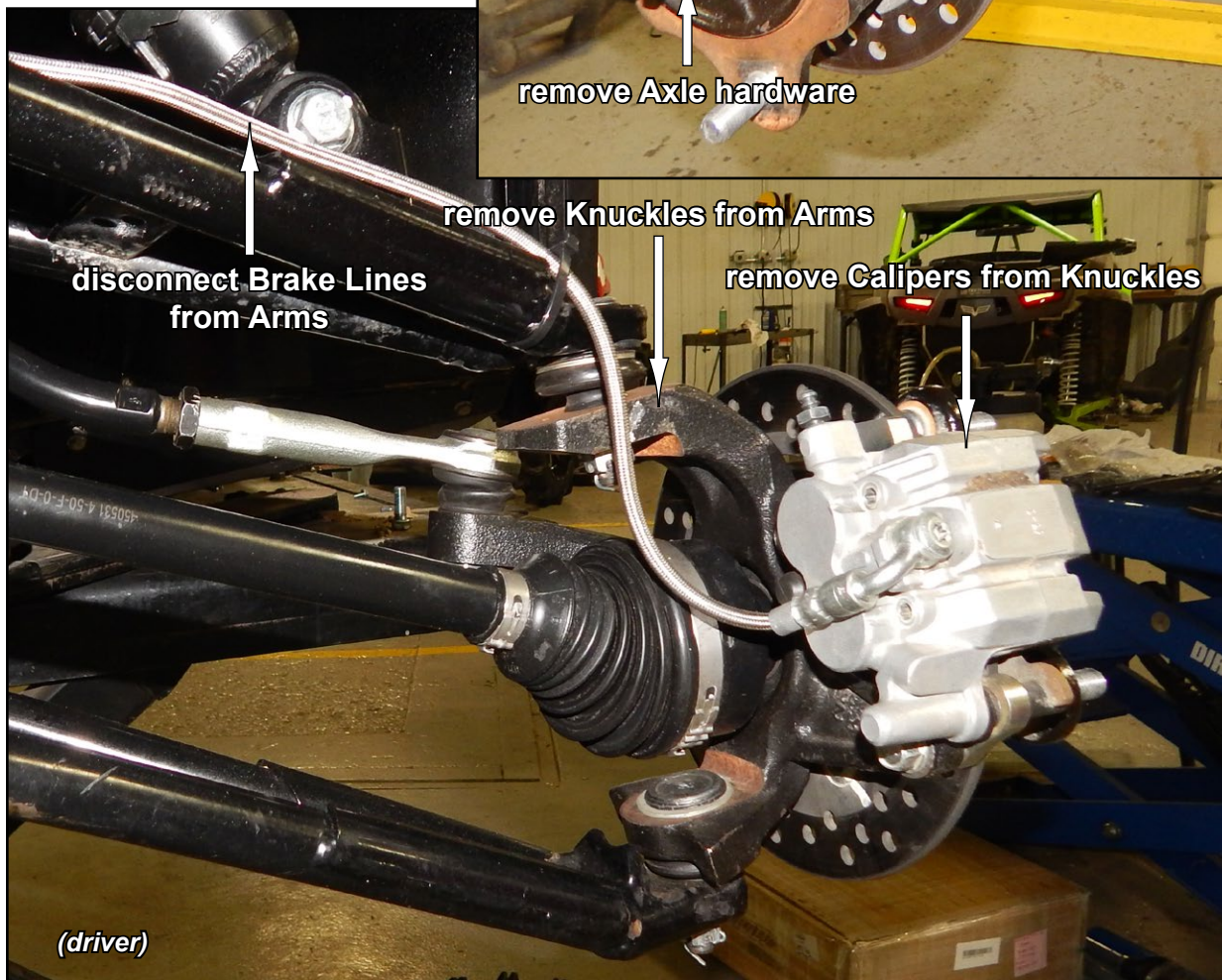
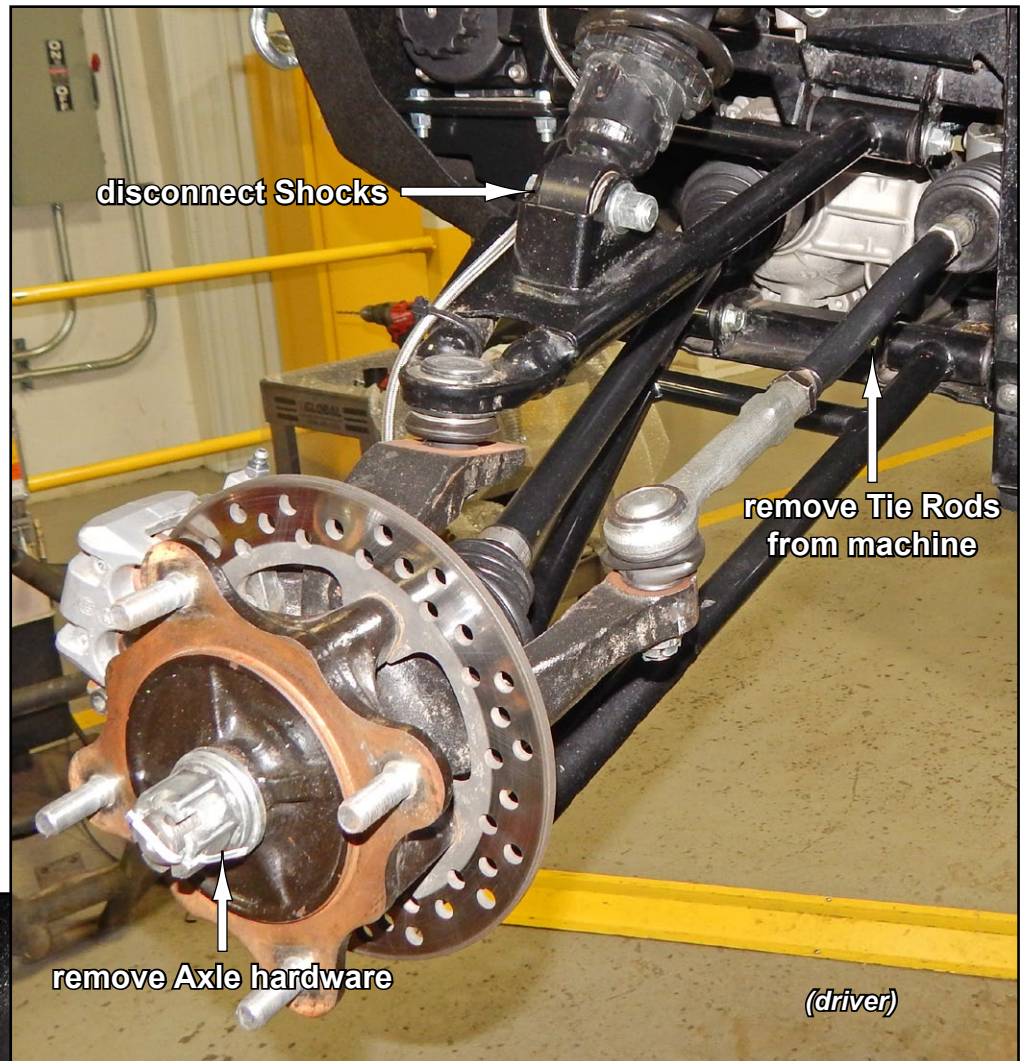
 sales@superatv.com
  www.superatv.com

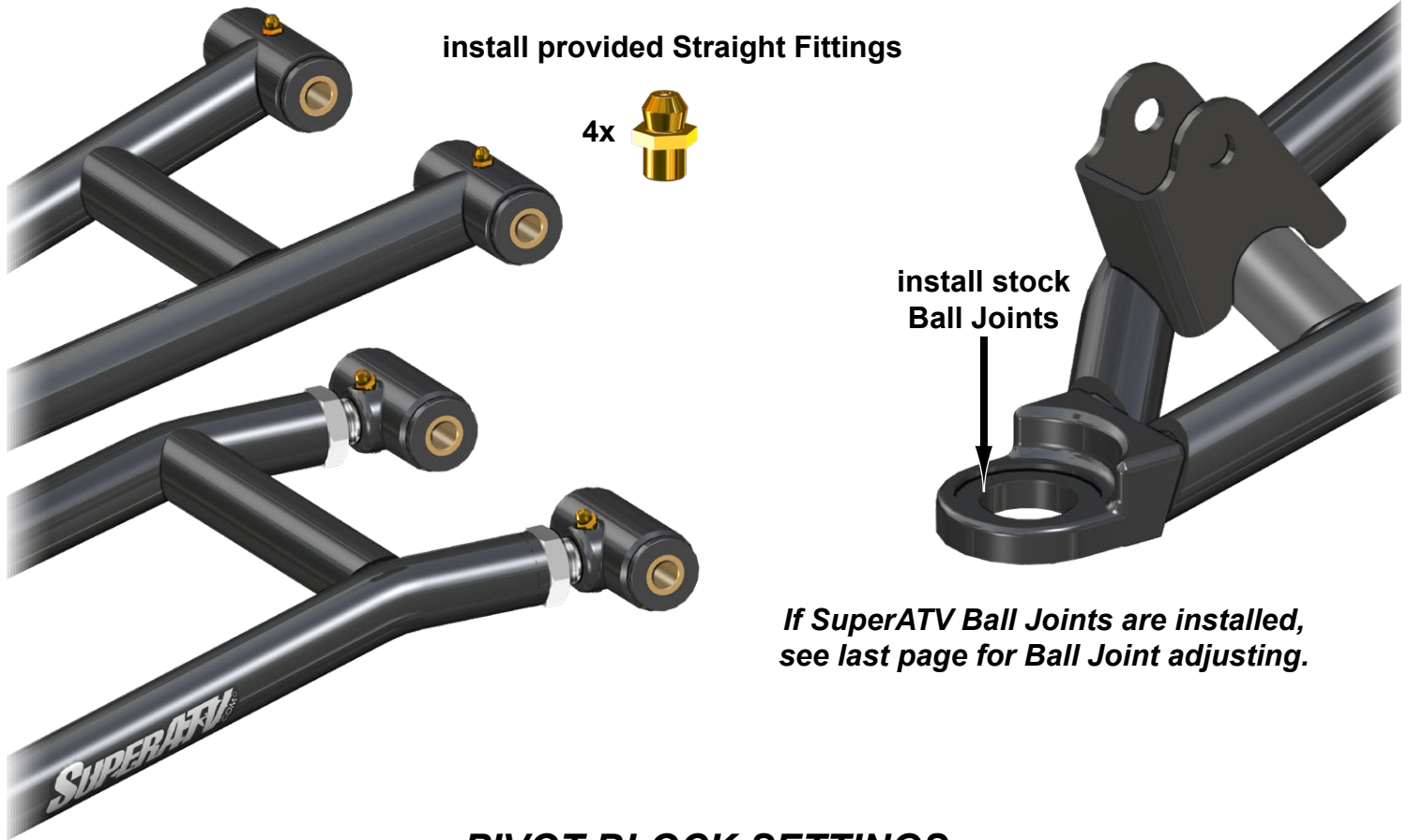
 1-855-743-3427
  8:00am - 8:00pm EST M-Th
 8:00am - 7:00pm EST Friday
 9:00am - 2:00pm EST Saturday

Read instructions and view illustrations before beginning.

Thank You
 For Choosing
SUPERATV.COM[®]

Keep all components removed from machine





install provided Straight Fittings

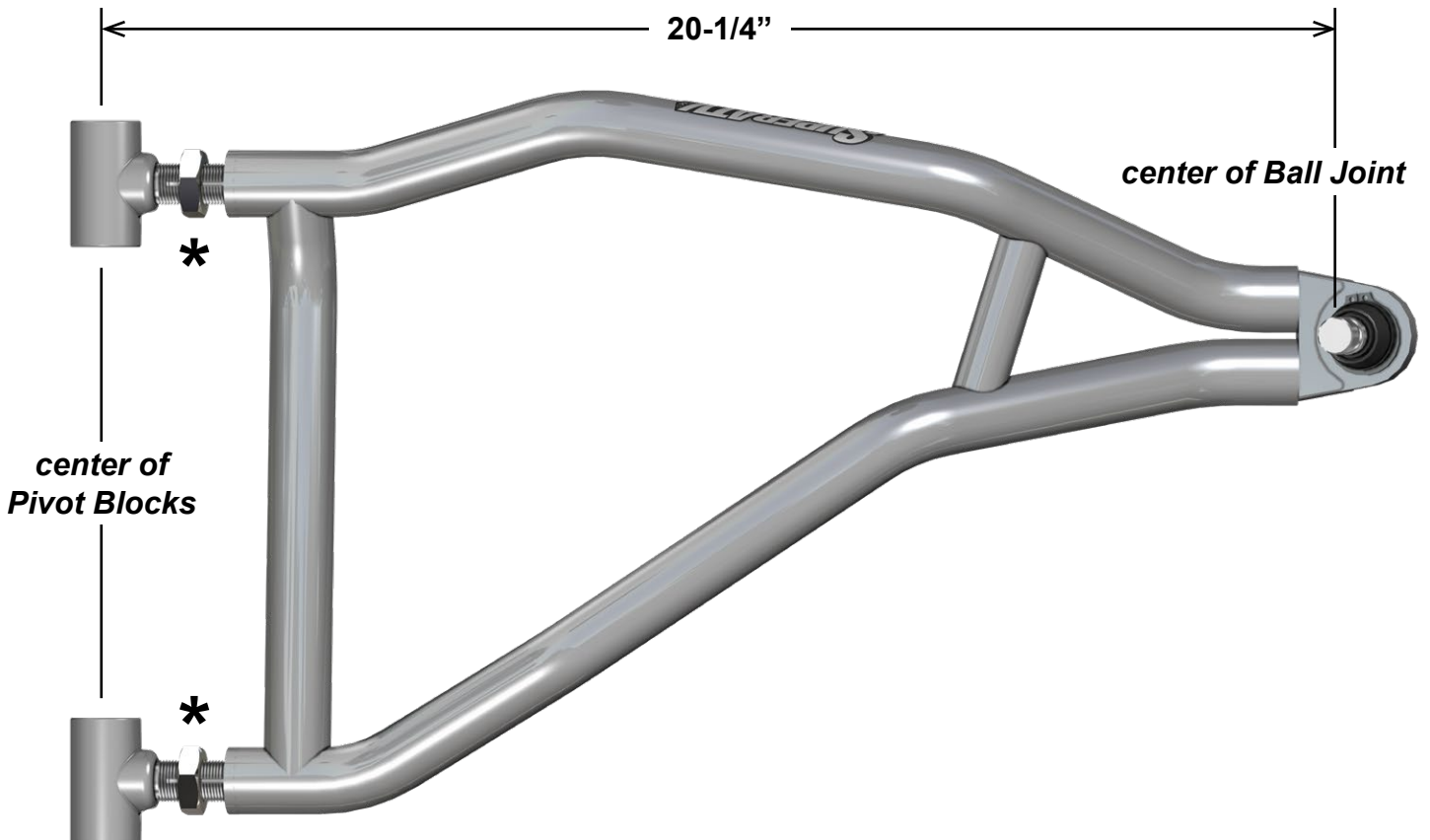
4x 

install stock Ball Joints

If SuperATV Ball Joints are installed, see last page for Ball Joint adjusting.

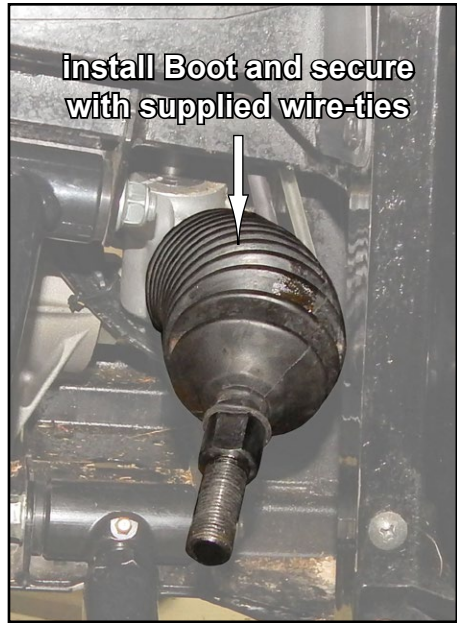
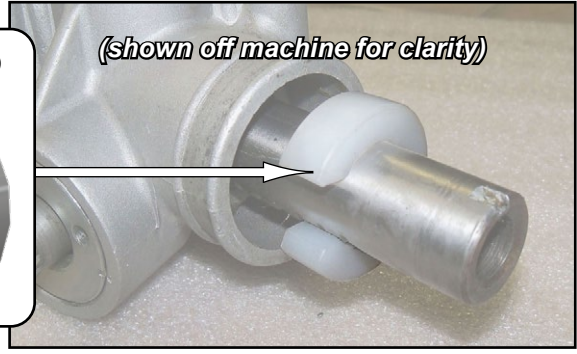
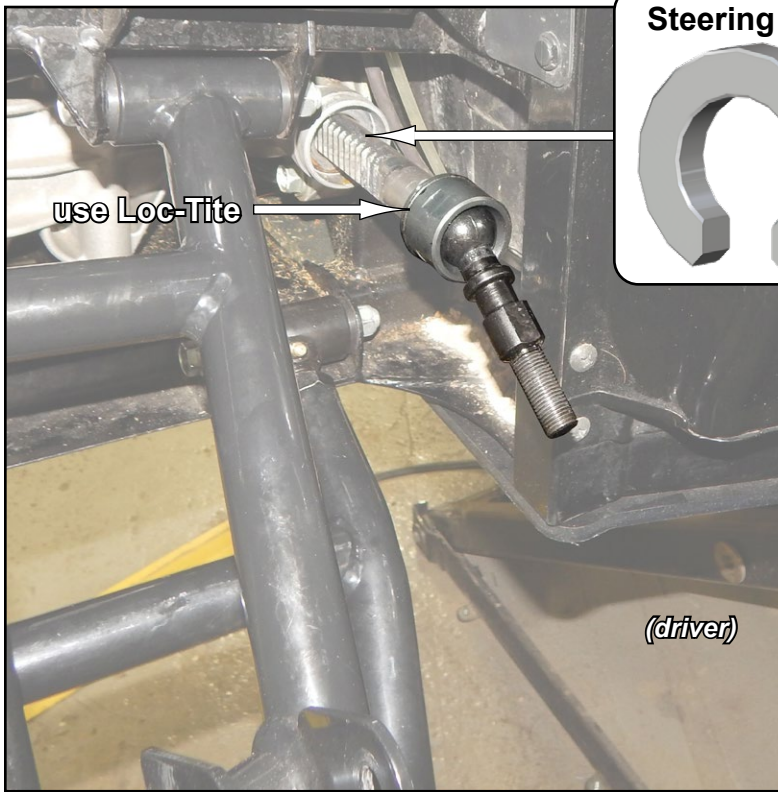
PIVOT BLOCK SETTINGS

- Place new A-Arms onto a flat surface and verify dimension shown.
- *Negative 1° camber setting is achieved when Pivot Blocks are set to this dimension.*
- See page 8 for additional camber information.



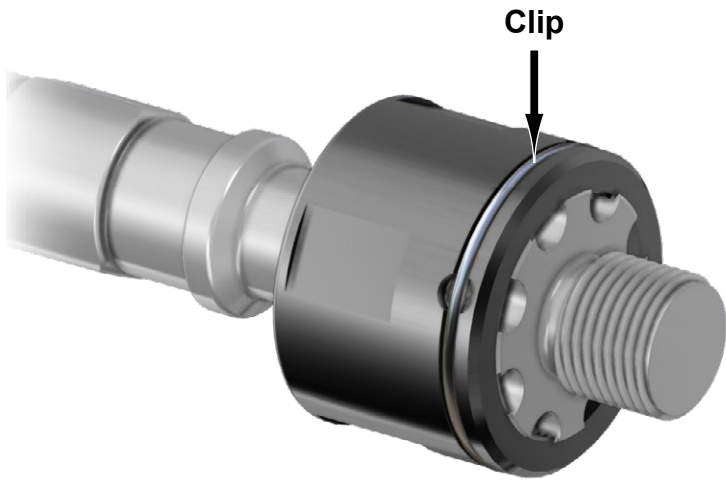
***Leave Jam Nuts loose. Tighten after final adjustments have been made.**

- Install Steering Stop onto Rack and Pinion shaft.
- Install Ball and Socket; use Red Loc-Tite.

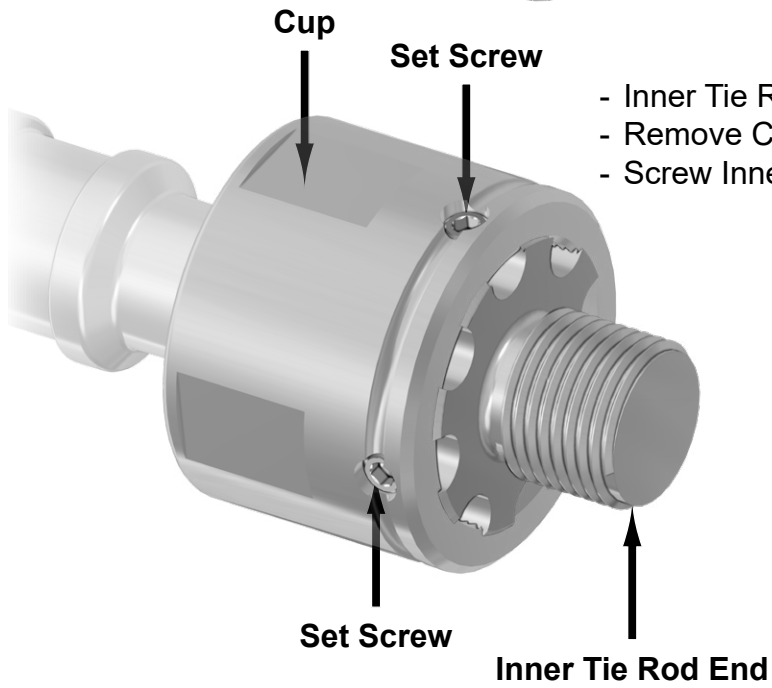


install Tie Rod and Tie Rod End

- Repeat for opposite side.



Clip



Cup

Set Screw

Set Screw

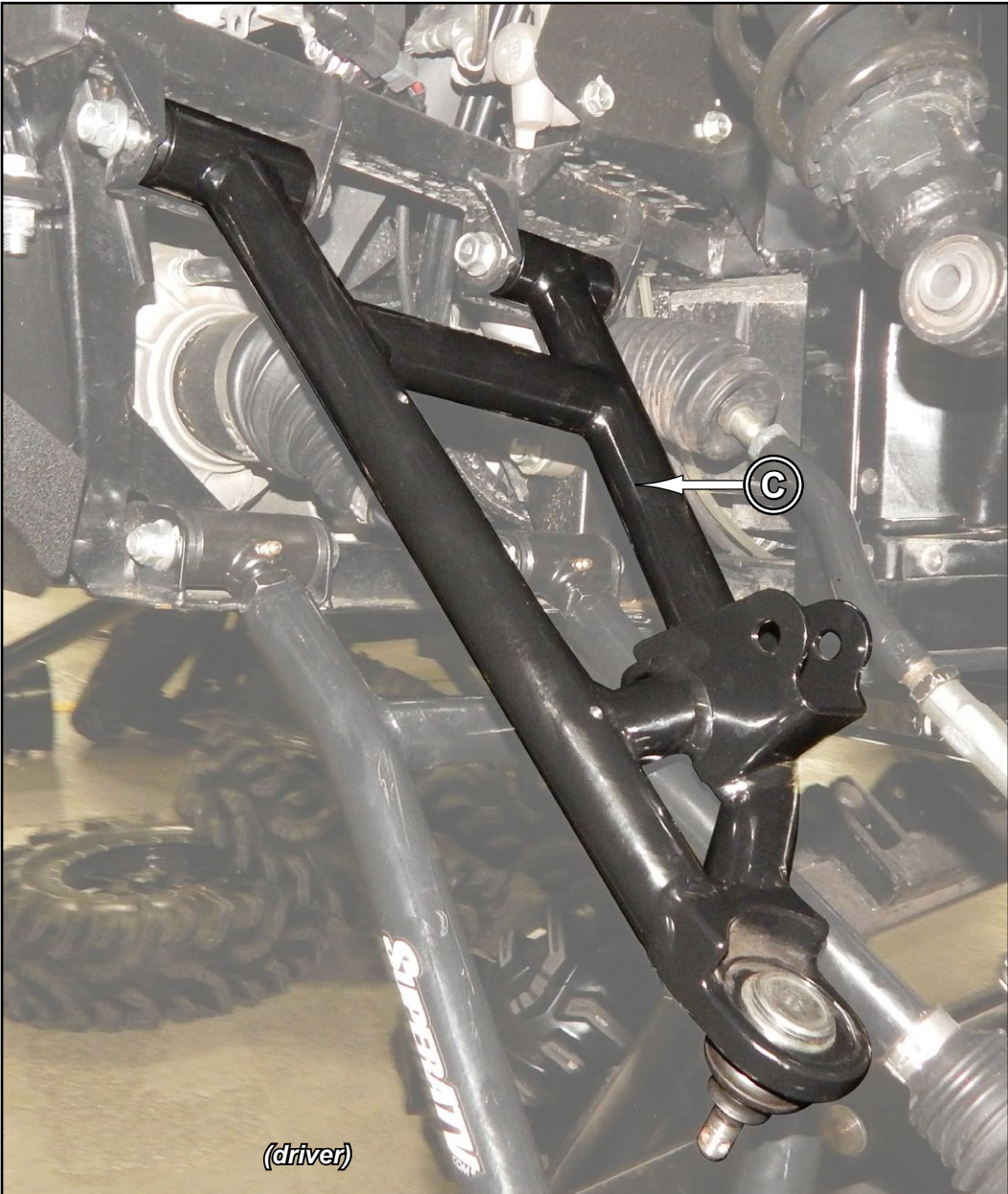
Inner Tie Rod End

- Inner Tie Rod End is adjustable and can be tightened.
- Remove Clip and loosen (4) Set Screws
- Screw Inner Tie Rod End into Cup.

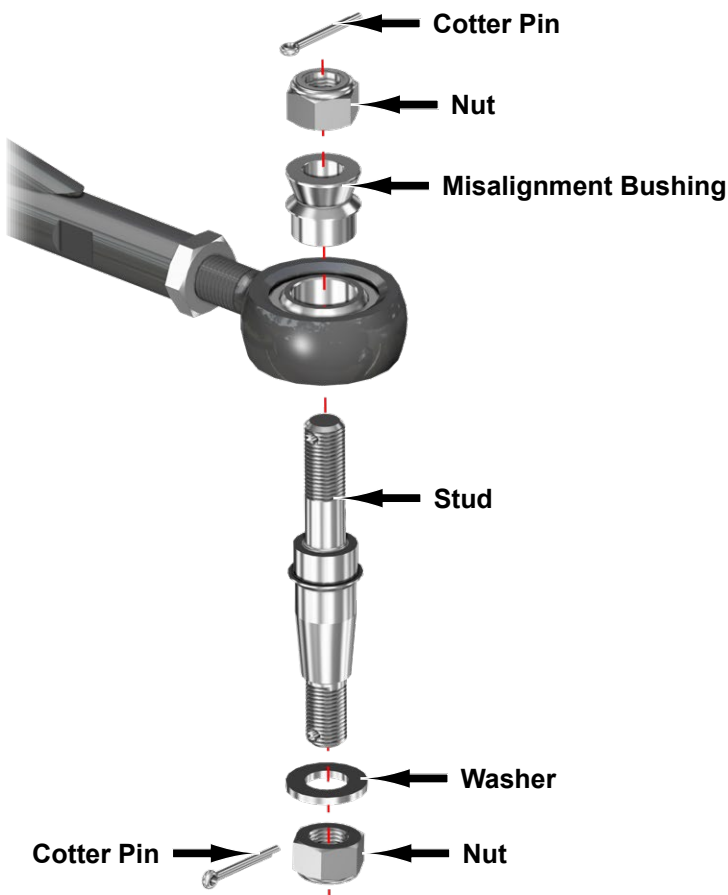
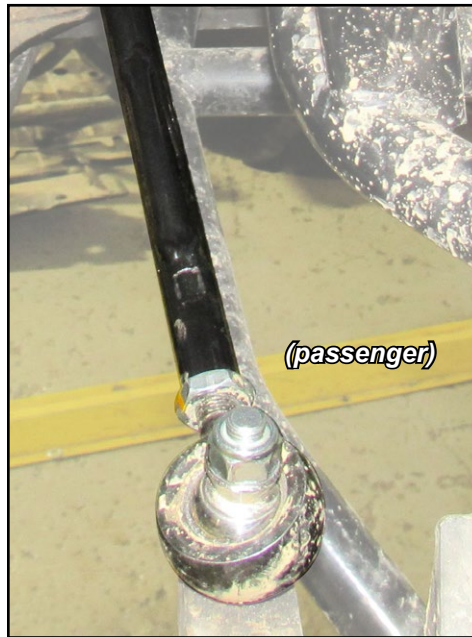
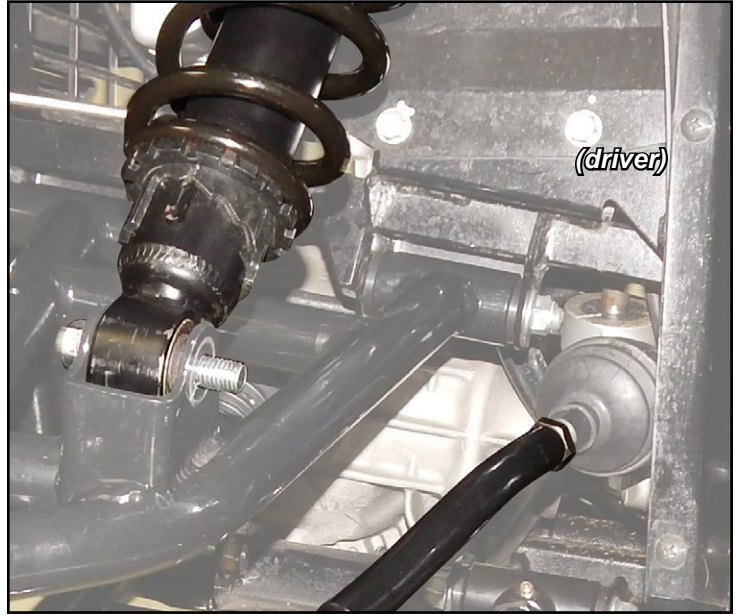
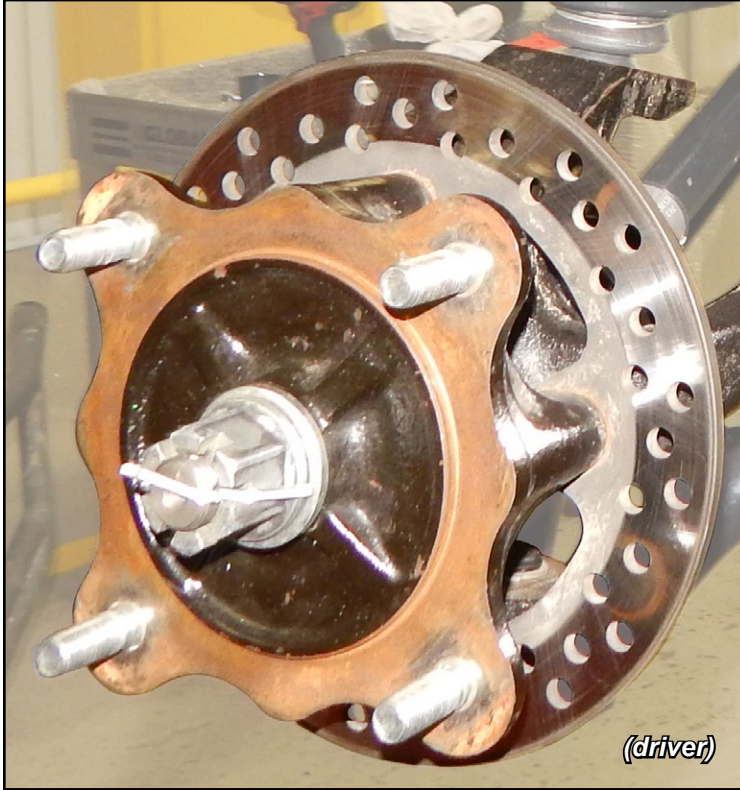
- Install Lower A-Arms to Frame with stock hardware. **Do not install Nuts until all final adjustments have been completed.**



- Install Upper A-Arms to Frame with stock hardware. SuperATV recommends using Loc-Tite on Nuts.



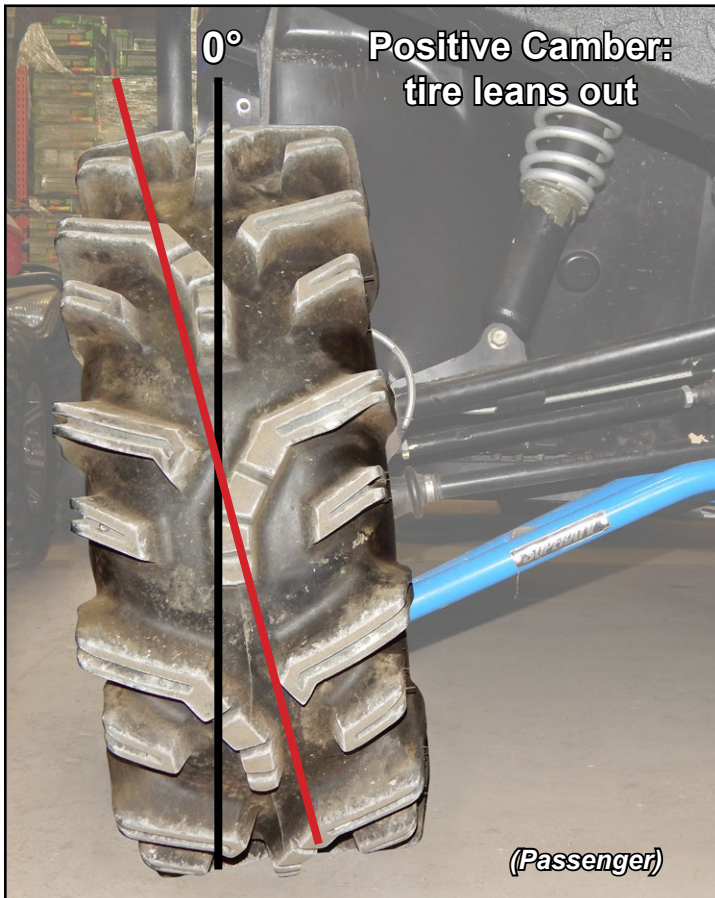
- Reinstall Knuckles to A-Arms with stock hardware. **Do not install nuts to Lowers until all final adjustments have been completed.**
- Reinstall Shocks and Tie Rod Ends with stock hardware.



- Reinstall Tires and see following page for Camber adjustments if required.
- Add Nuts to previously installed hardware and tighten completely. SuperATV recommends using Loc-Tite on Nuts.

CAMBER

- Tires must have equal air pressure before making adjustments.
- Adjustments to be made after all suspension components have been completely assembled.
- Tires must not be in contact with ground when making adjustments.
- Perform adjustments in small increments.



Adjusting Camber:

- Remove A-Arms from Frame and turn Pivot Blocks to adjust camber. Reinstall Arms.
- Lower machine and settle suspension components by rolling machine back and forth several feet at a time.
- Check settings and make small adjustments as needed.
- Each time an adjustment is made, machine must be rolled back and forth to settle suspension components.
- Once desired setting is achieved, tighten hardware completely. Loc-tite on Nuts is recommended.

A NEGATIVE CAMBER SETTING OF 1° to 2° IS RECOMMENDED.

LOWER:

Too much positive camber: adjust Pivot Blocks **OUT**.

Too much negative camber: adjust Pivot Blocks **IN**.

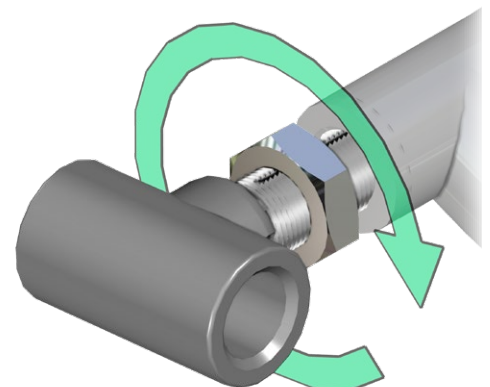
note: 2 full turns is 1°

UPPER A-ARMS:

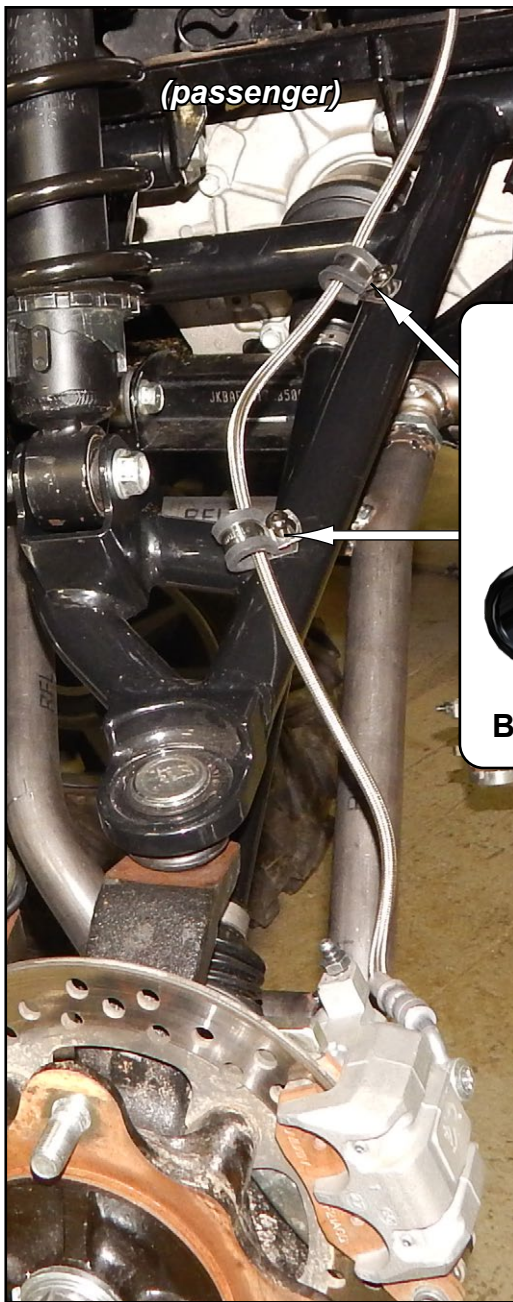
Too much positive camber: adjust Pivot Blocks **IN**.

Too much negative camber: adjust Pivot Blocks **OUT**.

note: 2 full turns is 1°



- Secure Brake Lines to Upper A-Arms with hardware shown.



M6 x 20mm

2 each



Brake Line Clip

Liability Statement

SuperATV's® products are designed to best fit user's ATV/UTV under stock conditions. Adding, modifying, or fabricating any factory or aftermarket parts will void any warranty provided by SuperATV® and is not recommended. SuperATV's® products could interfere with other aftermarket accessories. If user has aftermarket products on machine, contact SuperATV® to verify that they will work together.

Although SuperATV® has thousands of satisfied customers, user should be aware that installing lift kits, long travel, or suspension kits, tires, etc. will change the ride of machine and may increase maintenance and part wear. Operating any off-road machine while, or after, consuming alcohol and/or drugs increases risk of bodily harm or death. No warranty or representation is made as to this product's ability to protect user from severe injury or death. SuperATV® urges operators and occupants to wear a helmet and appropriate riding gear at all times.

By purchasing and installing SuperATV® products, user agrees that should damages occur, SuperATV® will not be held responsible for loss of time, use, labor fees, replacement parts, or freight charges. SuperATV®, nor any 3rd party, will not be held responsible for any direct, indirect, incidental, special, or consequential damages that result from any product purchased from SuperATV®. The total liability of seller to user for all damages, losses, and causes of action, if any, shall not exceed the total purchase price paid for the product that gave rise to the claim.

SuperATV® will warranty only parts provided by SuperATV®. Any damage or problems with OEM housings, bearings, seals, or other manufacturers' products will not be covered by SuperATV®. SuperATV® parts and products are not warranted if item was not installed properly, misused, or modified.

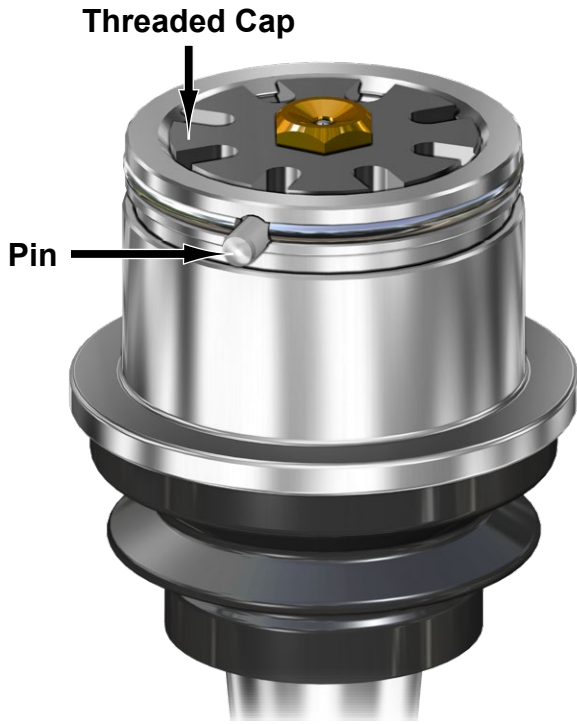
Installing, adding, modifying, or fabricating any factory or aftermarket product to your ATV/UTV may violate certain local, state, and federal laws. Be advised that laws vary depending on town, city, county, state, etc. Use of certain products on public streets, roads, or highways may be in violation law. The Buyer is solely and exclusively legally and personally responsible for any violation of the law by the installation or use of the product. You must abide by all local, state, and federal laws, including but not limited to vehicle safety, traffic laws, and ordinances. It is your responsibility to know the laws and how they apply to you.

The Buyer is responsible to fully understand the capability and limitations of his/her vehicle according to manufacturer specifications, warnings and instructions and agrees to hold SuperATV® harmless from any damage resulting from failure to adhere to such specifications, warnings and/ or instructions. The Buyer is also responsible to obey all applicable federal, state, and local laws and ordinances when operating his/her vehicle while using this product, and the Buyer agrees to hold SuperATV® harmless from any violation thereof.

This page only applies if Arms were purchased with pre-installed adjustable Ball Joints.

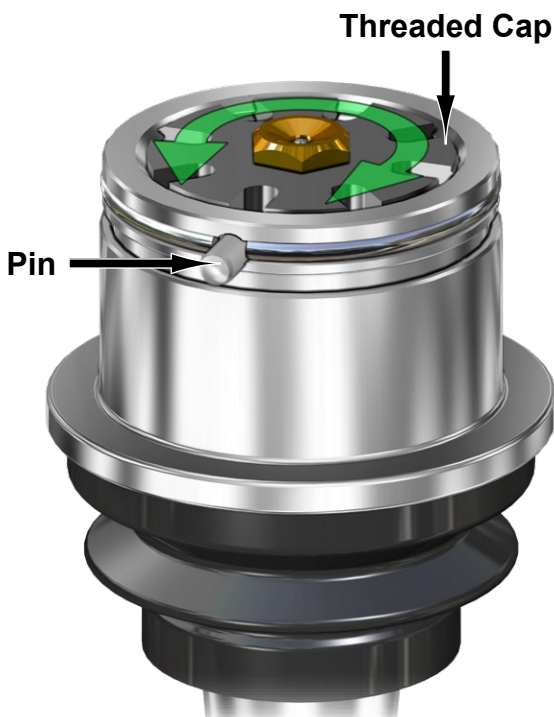
- Ball Joint must be installed so that Pin / Screw can be removed after installation.
- Adjustments can be made with Ball Joint installed on A-Arm.

pull Pin/Screw out of Threaded Cap

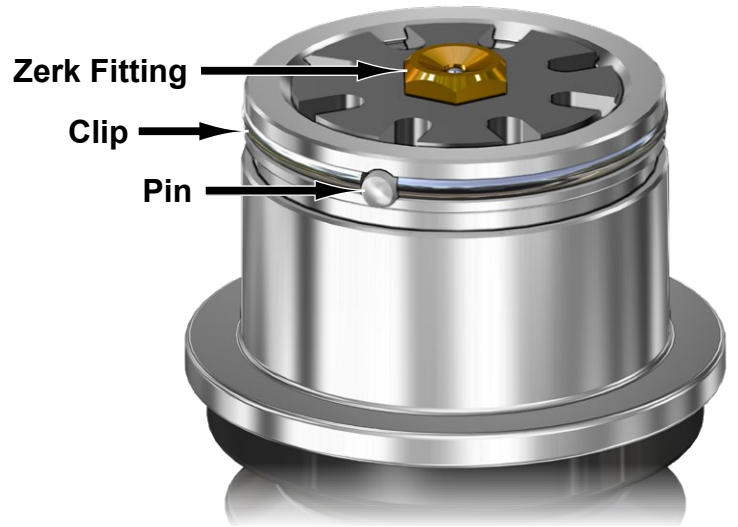


- Rotate Threaded Cap; left loosen - right tighten.
- Reinstall Pin/Screw and rotate Clip until Pin is covered.

⚠ DO NOT USE ZERK FITTING TO TIGHTEN OR LOOSEN.



rotate Clip so that Pin/Screw is exposed



IF BOOT IS NOT PREINSTALLED

- Install Boot *after* Ball Joint.
- Secure with provided glue.



- Pump in (1) shot of Grease.
- Ride machine and Grease again.



- If Ball Joint Stud is threaded, torque provided Nut to manufacturers standard.