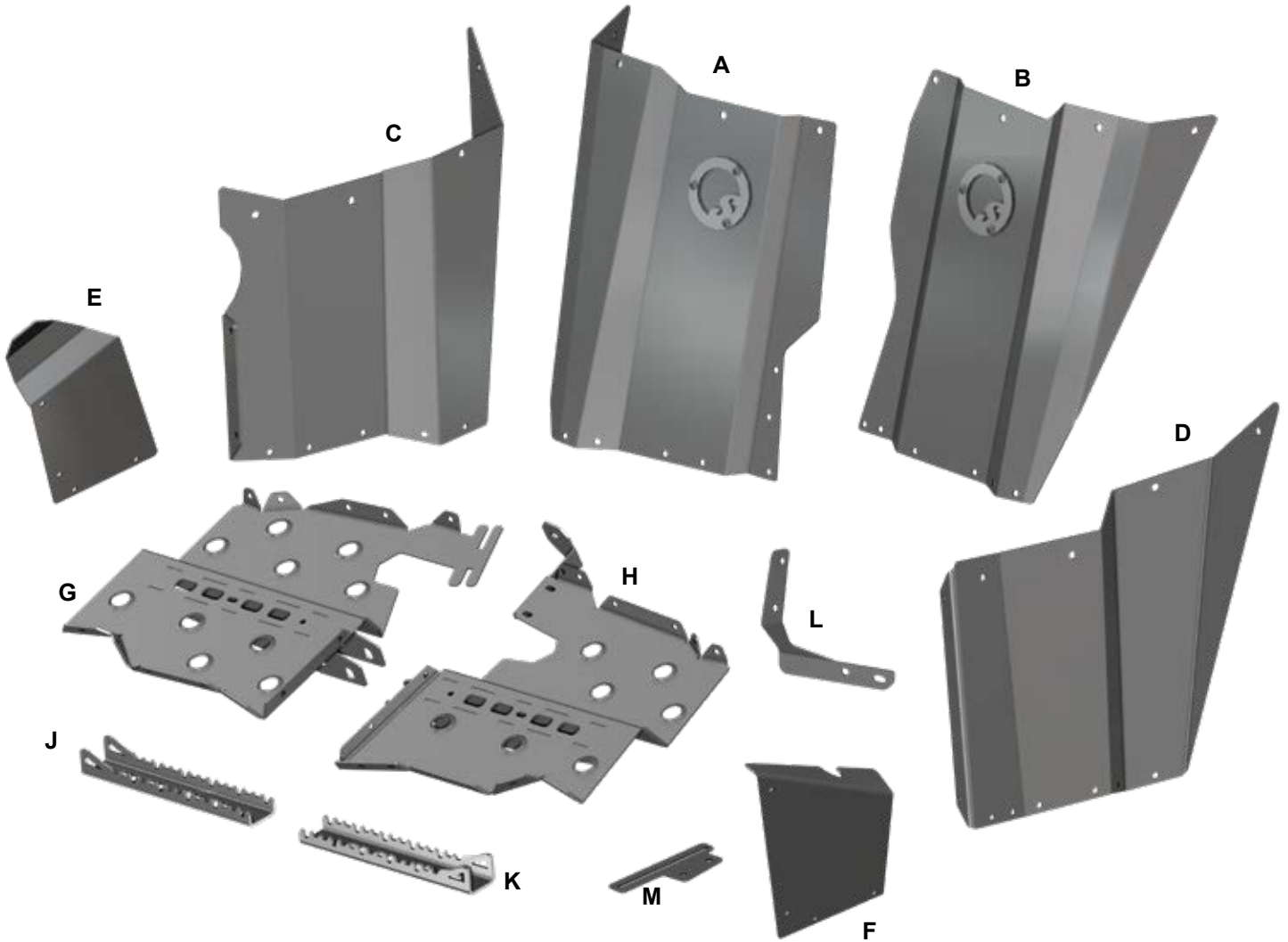


INSTALLATION INSTRUCTIONS
Footwells: for Honda Rubicon models

- Do not discard packaging until product has been successfully installed.
- Right side installation shown in illustrations unless noted.



Item	Description	Item	Description
A	Front Left	G	Left Bottom
B	Front Right	H	Right Bottom
C	Rear Left	J	Left Peg
D	Rear Right	K	Right Peg
E	Side Left	L	Left Bracket
F	Side Right	M	Right Bracket

Need help with your installation?

✉ sales@superatv.com 🌐 www.superatv.com

☎ 1-855-743-3427 🕒 8:00am - 8:00pm EST M-Th
 8:00am - 7:00pm EST Friday
 9:00am - 2:00pm EST Saturday

Read instructions and view illustrations before beginning.

Thank You
 For Choosing
SUPERATV.COM[®]



remove Seat

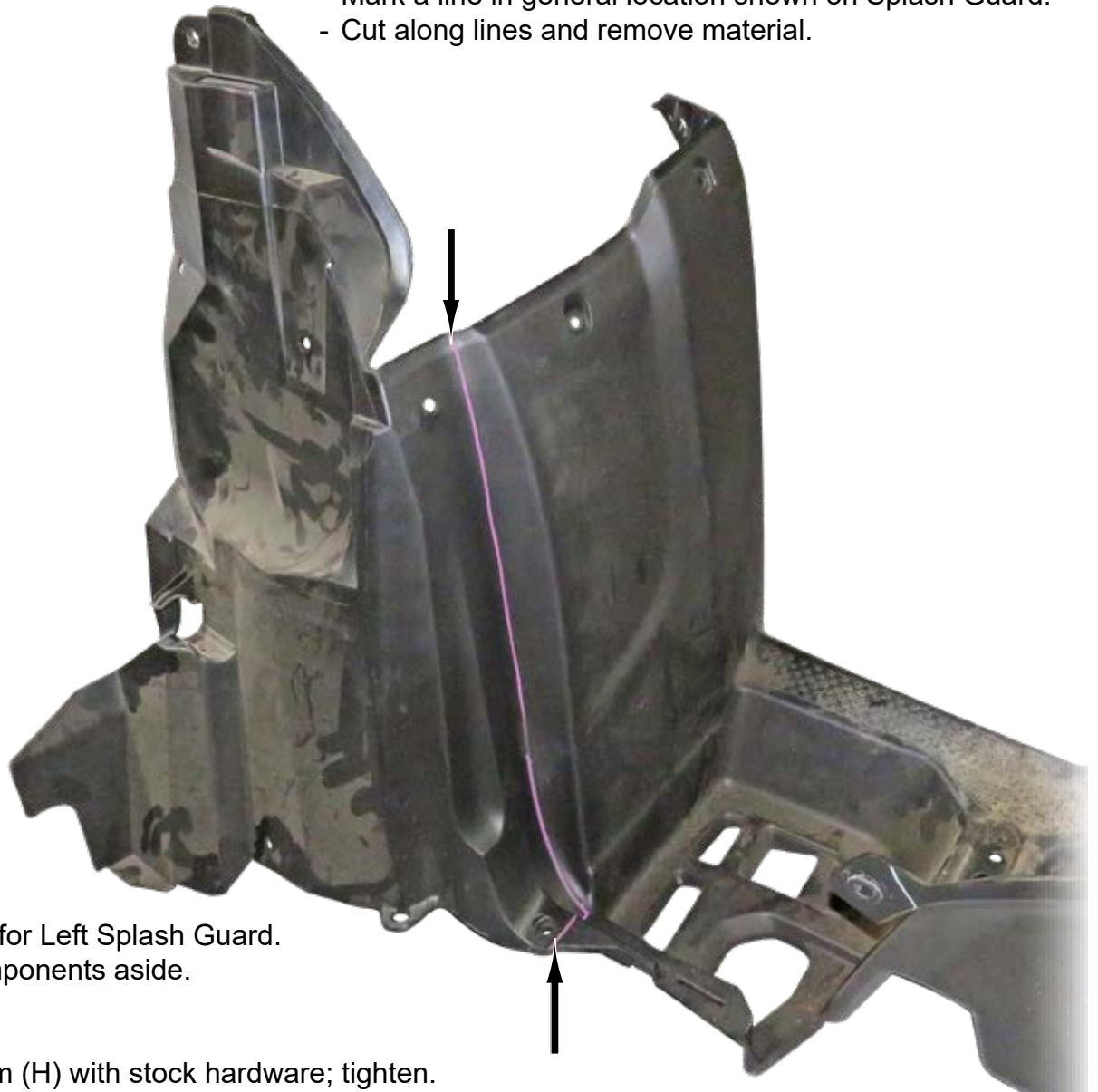


remove Side Covers / Tank Cover assembly



repeat for left side

- Mark a line in general location shown on Splash Guard.
- Cut along lines and remove material.

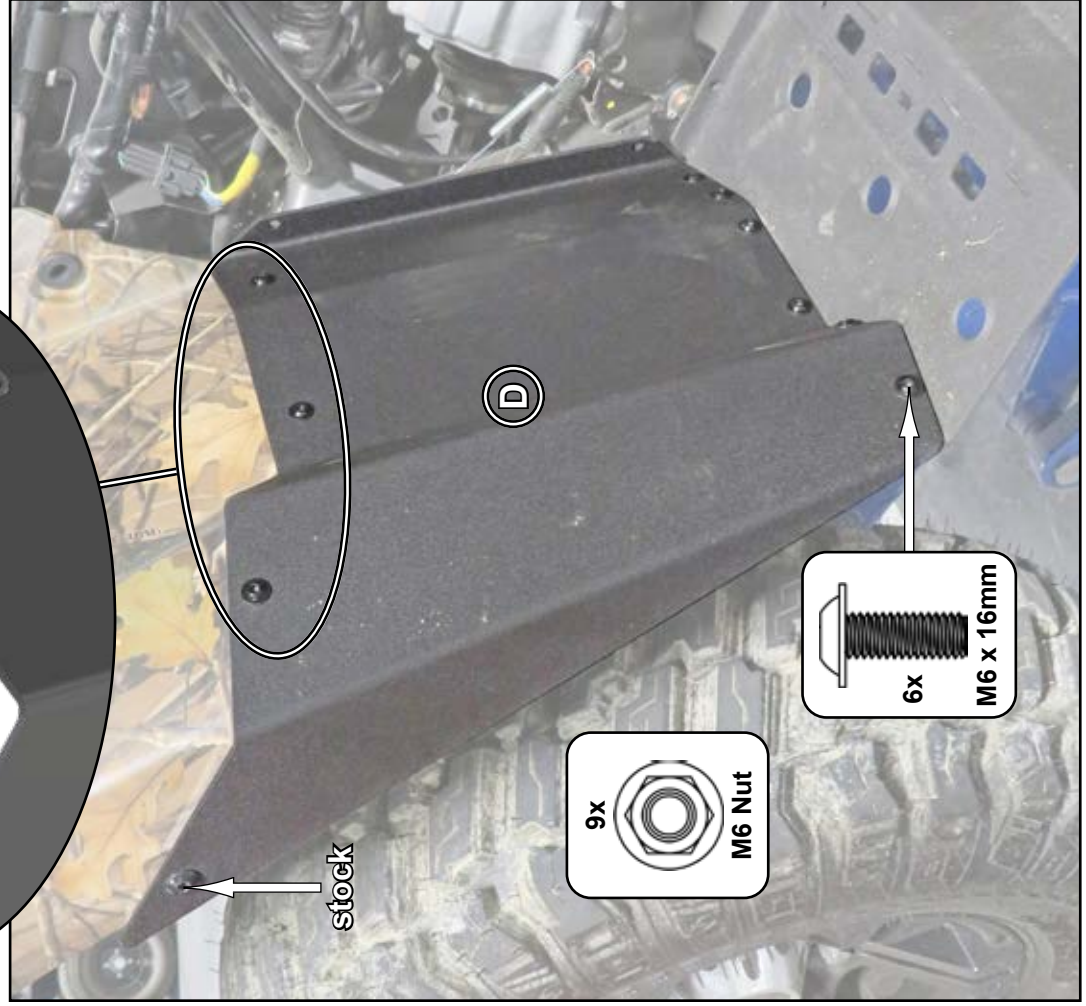
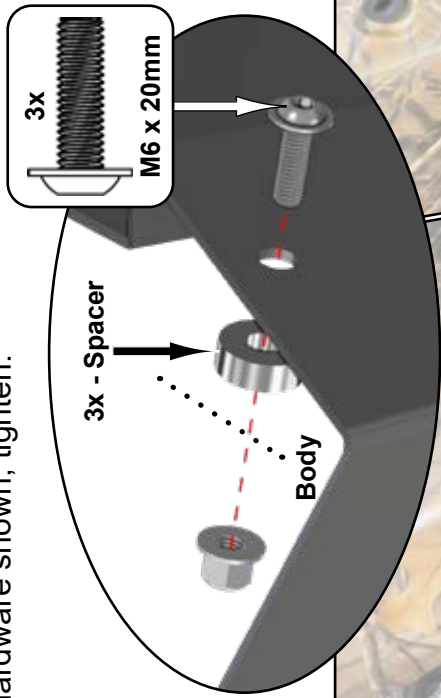


- Repeat for Left Splash Guard.
- Set components aside.

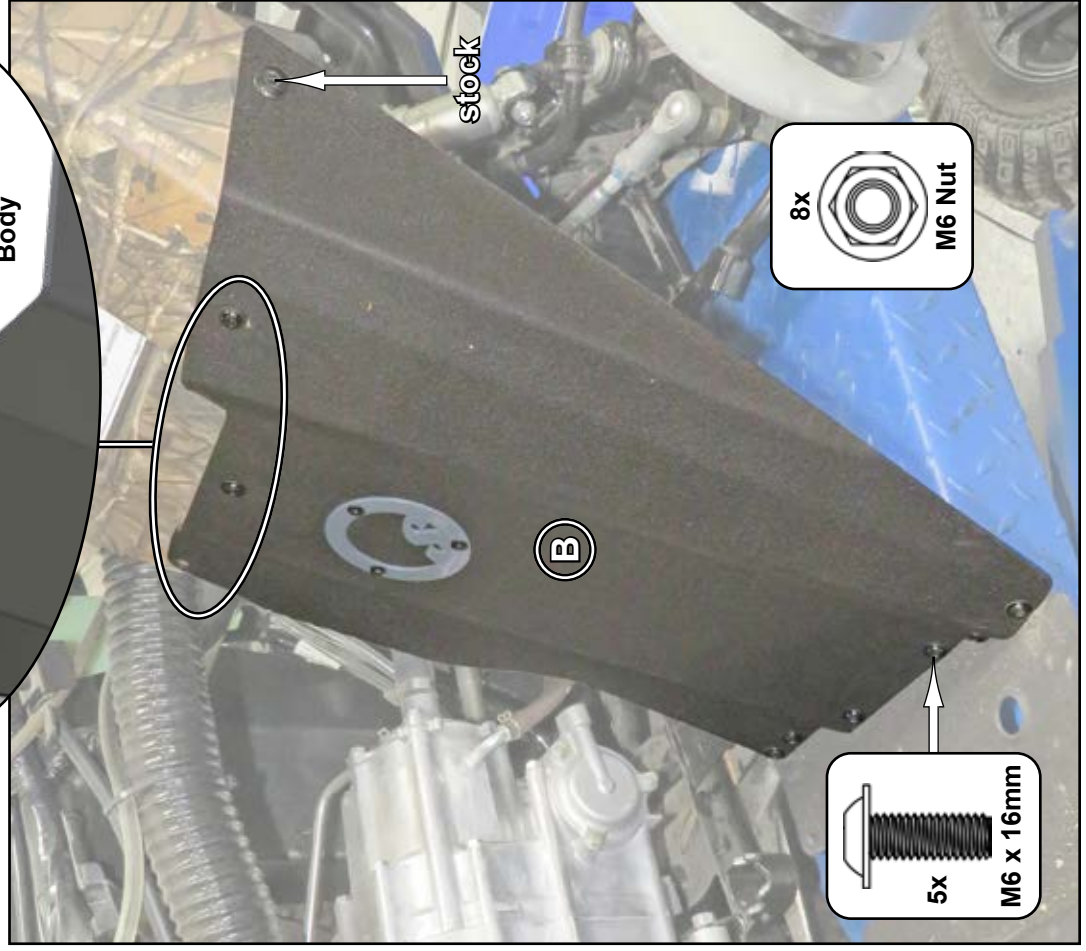
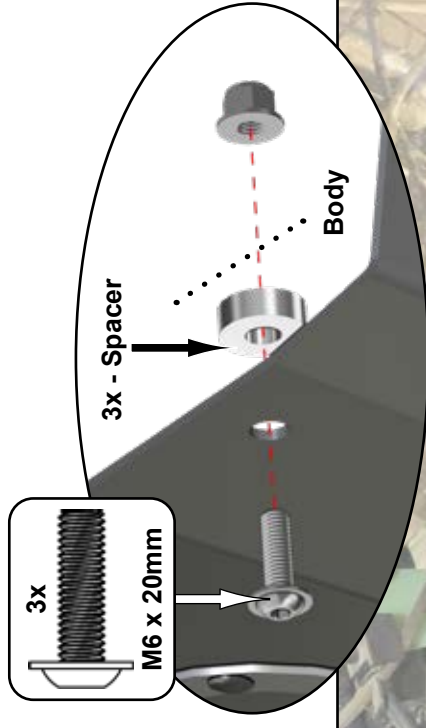
- Install Right Bottom (H) with stock hardware; tighten.



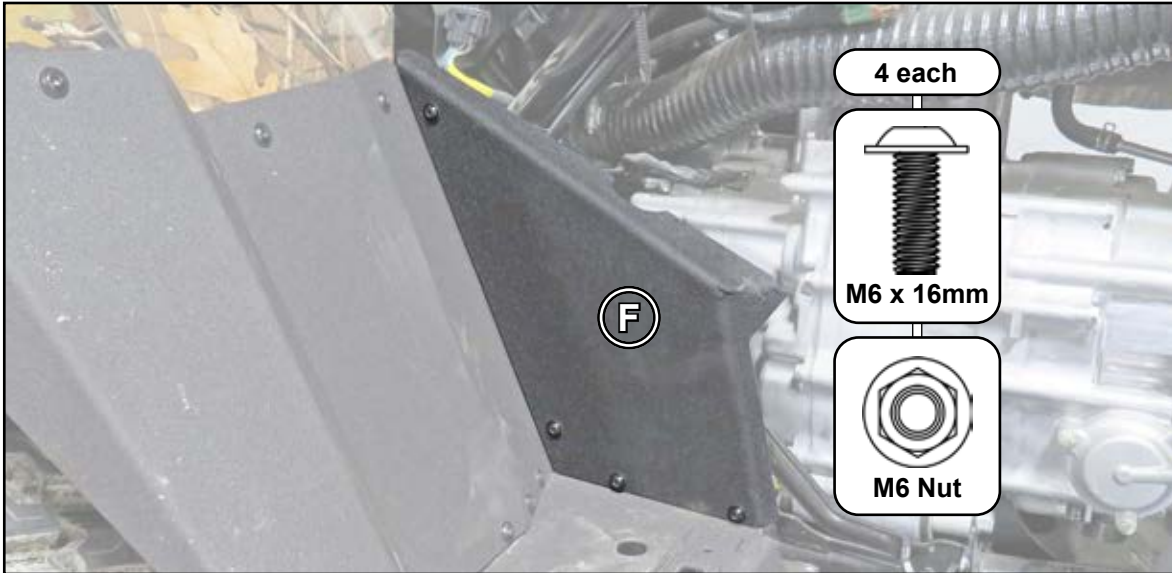
- Install Rear Right (D) to body and Right Bottom (H) with hardware shown; tighten.



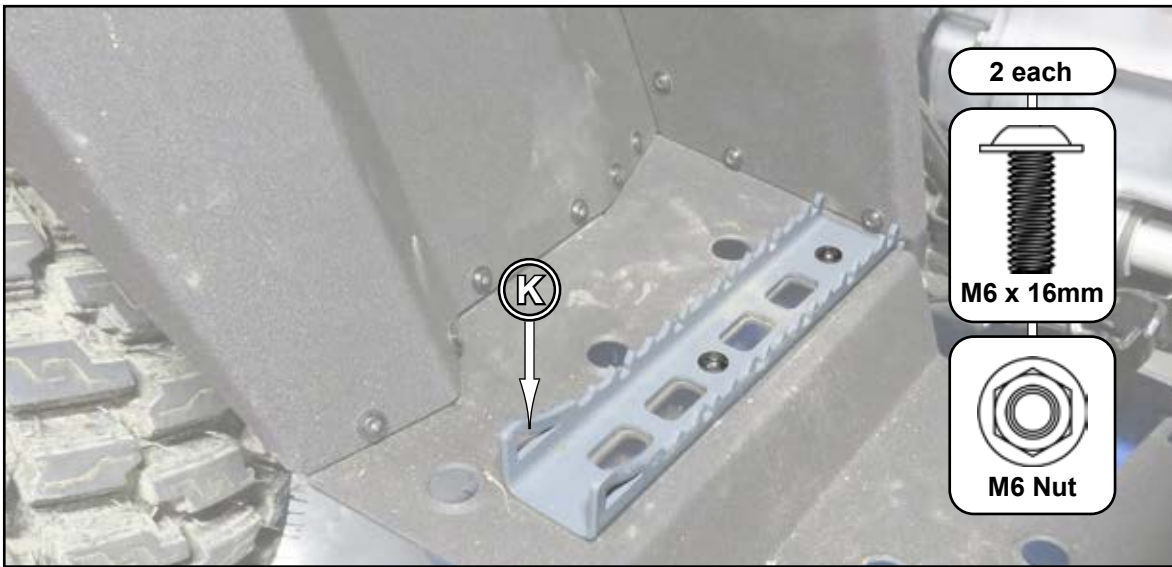
- Install Front Right (B) to body and Right Bottom (H) with hardware shown; tighten.



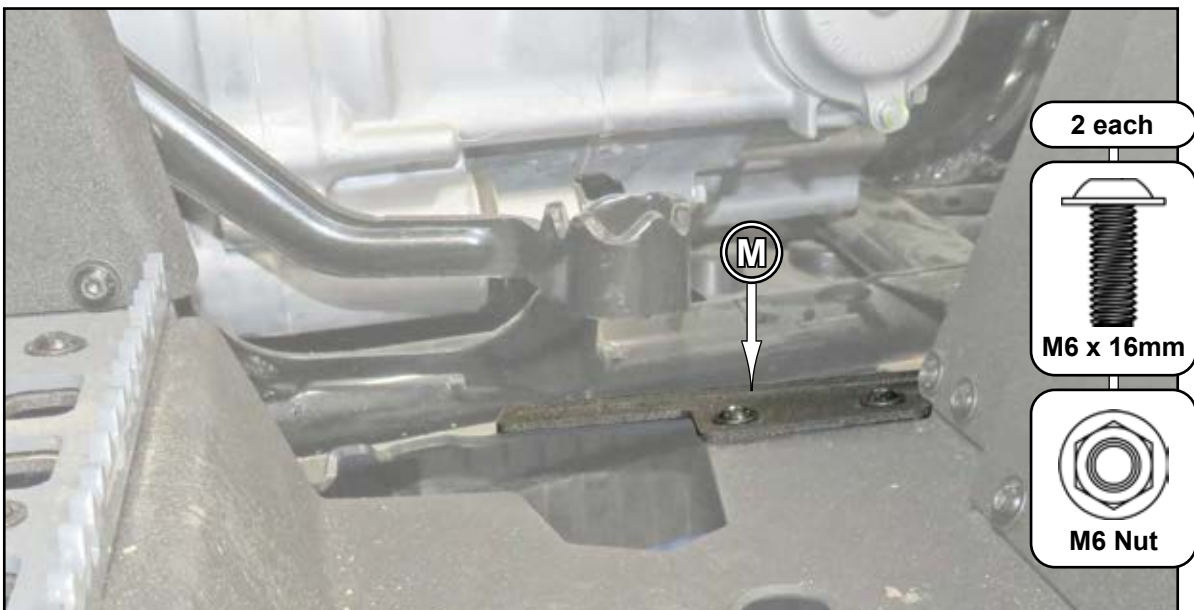
- Install Side Right (F) to body and Right Bottom (H) with hardware shown; tighten.



- Install Right Peg (K) to Right Bottom (H) with hardware shown; tighten.



- Install Right Bracket (M) to Right Bottom (H) with hardware shown; tighten.



(see page 8 for Left Bracket (L) installation)

- Install modified Right Splash Guard with stock components.



- Repeat installation steps for left side.
- Reinstall previously removed stock components.

- Install Left Bracket (L) to Front Left (A) with hardware shown; tighten.

