



**DOWNLOAD THE LATEST
INSTALL MANUALS AT
www.bddiesel.com**



- Center Mount can face down or up
- Optional 20° rather than 40° - helps mounting larger S400, S500 turbochargers
- Center Mounted Wastegate Flange (45mm)



BD DODGE DIVIDED WASTEGATE MANIFOLD 5.9L / 6.7L PULSE FLOW

Years		Part #	Outlet Angle
1998 ¹ / ₂ -2018	24V	1045947-T4	40°
1998 ¹ / ₂ -2018	24V	1045996-T4	20°
1998 ¹ / ₂ -2018	24V	1045996-T6	20°

Port matched for optimal flow. Ports smoothly transition between cylinder head diameter to T4/T6 flange outlet ports. Fully divided centre section to improve turbo response and exhaust flow.

UNLESS AN EO# IS LISTED, THIS PRODUCT IS LEGAL IN CALIFORNIA FOR RACING VEHICLES ONLY, WHICH MAY NEVER BE USED UPON A HIGHWAY.

Gasket Replacement Part Numbers

Description	Part #
T4 Manifold Gasket Set	1045986-T4
T6 Manifold Gasket Set	1045986-T6

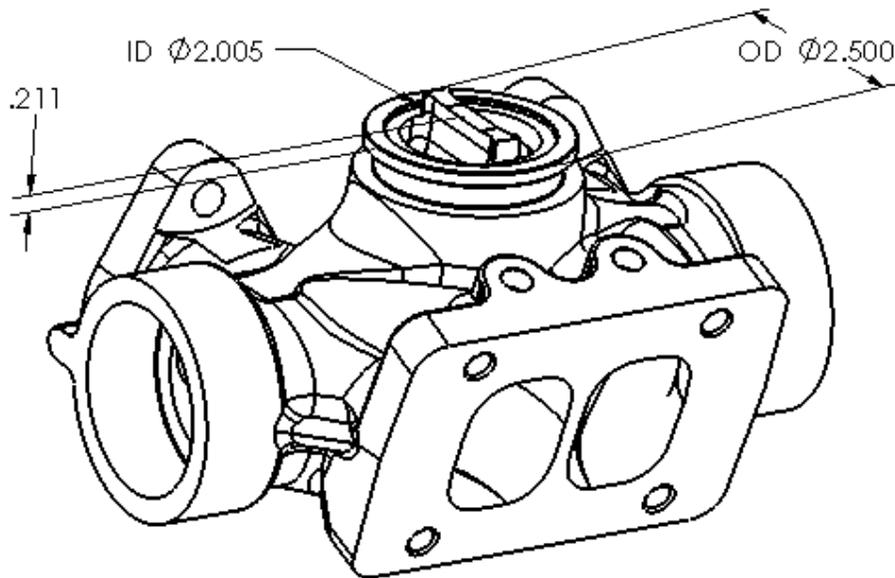
Common Turbos with T4 or T6 mounts:

- Borg Warner S300SXE / S400 / S500
- Holset HX50 / HX55 / HX60 / HX82
- Garrett GTX55 / GTX47 / GTX45 / GTX42 / GTX40

These manifolds are intended for the installation of competition turbos. Some modifications to vehicle / engine components will be necessary as this is a race product.

Wasetegate Flange

NOTE: This manifold has only been tested to ensure proper fitment to a Turbosmart Hypergate 45mm.



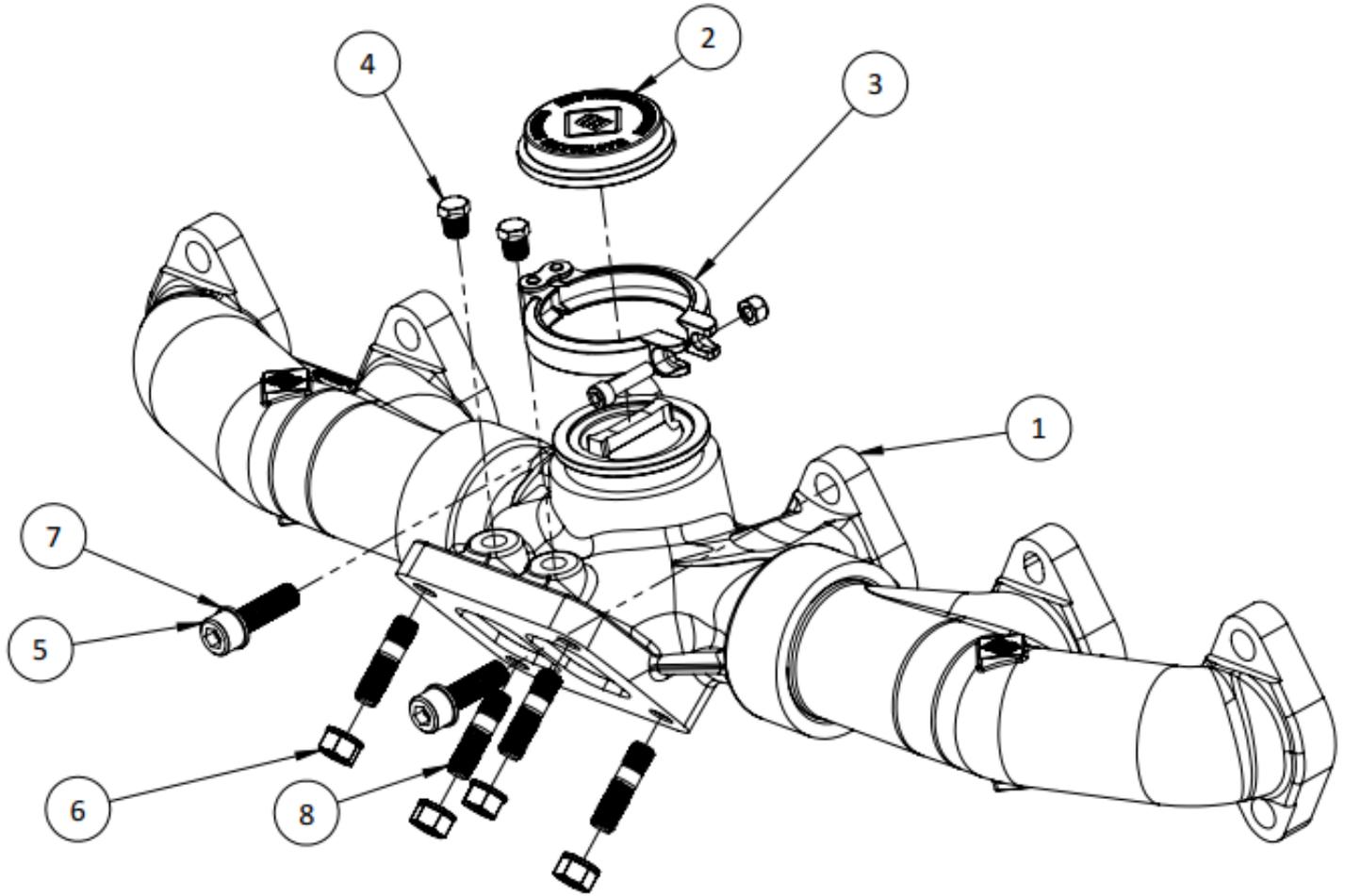
Install Torque Specs

Manifold to cylinder head: **35 ft-lbs**

Turbocharger to manifold: **32 ft-lbs**

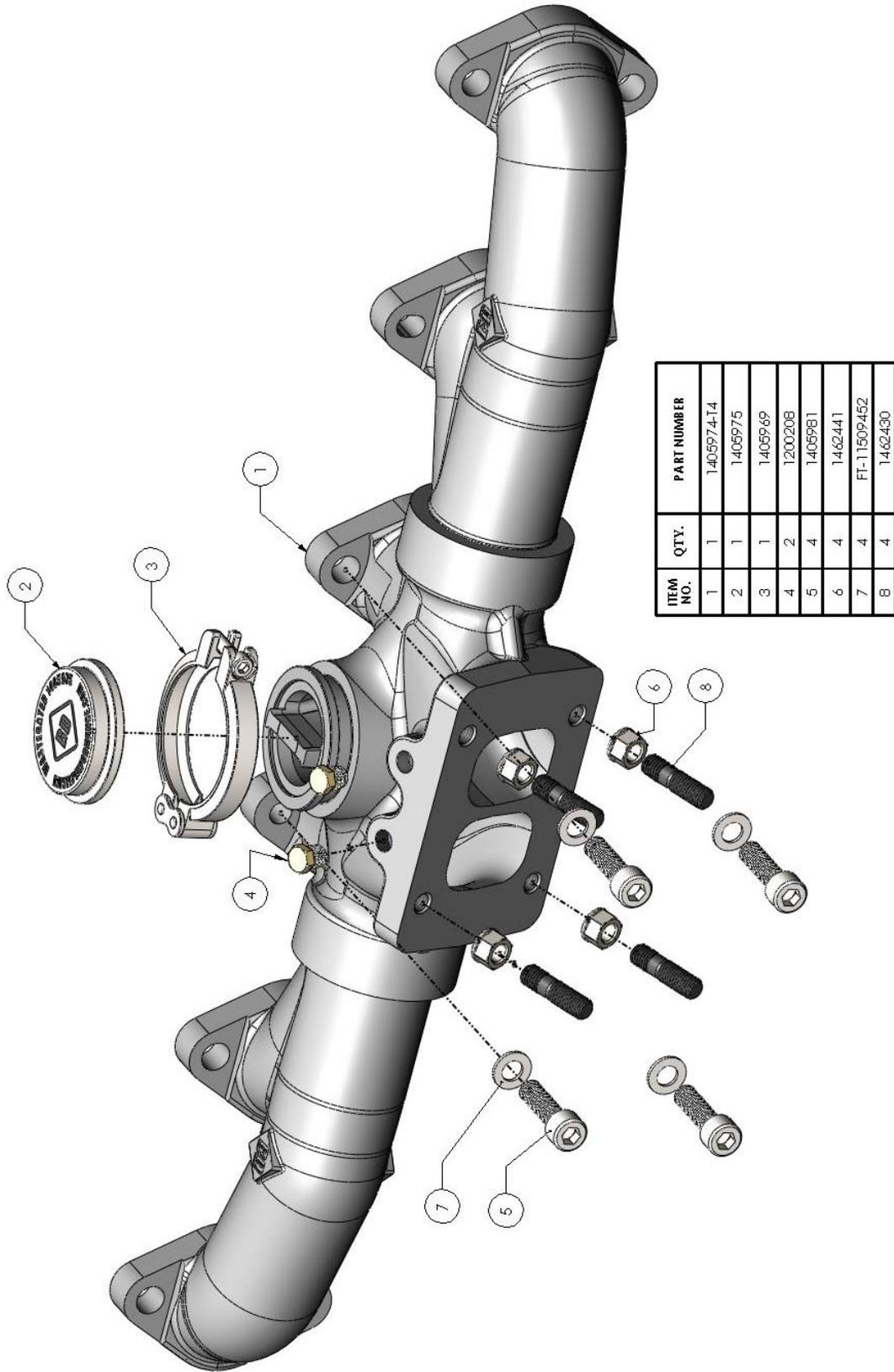
Important! Improper torque can lead to gasket failure and flange damage!

1045947-T4 (40 Degree 2nd Gen Location)



ITEM NO.	QTY.	PART NUMBER
1	1	1405947-T4
2	1	1405975
3	1	1405969
4	2	1200208
5	2	1405981
6	4	1462441
7	2	FT-11509452
8	4	1462430

1045996-T4 (20 Degree)



ITEM NO.	QTY.	PART NUMBER
1	1	1405974-I4
2	1	1405975
3	1	1405969
4	2	1200208
5	4	1405981
6	4	1462441
7	4	FI-11509452
8	4	1462430

1405996-T6 (20Degree)

ITEM NO.	QTY	PART NUMBER
1	1	1405974-T6
2	1	1405975
3	1	1405969
4	4	1405981
5	4	1462429
6	4	1462441
7	2	1200208
8	4	FT-11509452

