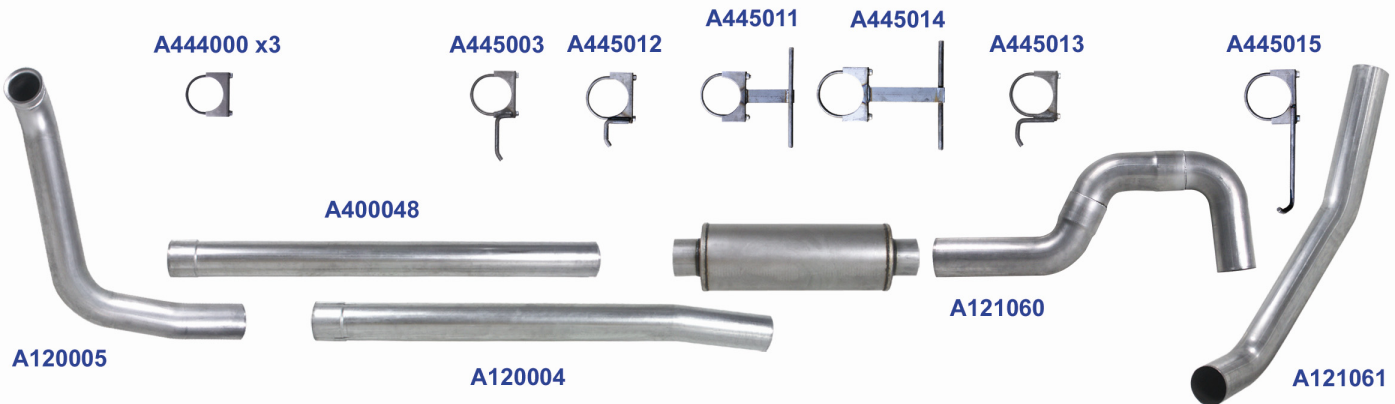


Installation Instructions

K4330A

1999-2003 Ford 7.3L F550 4''

Tools needed: 9/16'' end wrench or socket, 7/16'' deep socket, hacksaw or sawzall, aerosol lubricant.
(If your vehicle is equipped with a catalytic converter, it is unlawful to remove.)



Removal of Original System

- 1) Start under the vehicle. Remove the band clamp that holds the stock system to the turbo by loosening the bolt and prying the clamp loose.
- 2) Cut the original system just behind the muffler and next to the front cross member.
- 3) Spray the stock hangers with aerosol lube and pry rubber mounts from the system. Leave the rubber mounts attached to the truck for re-use.
- 4) Remove the old system.

Installation of New Performance System

(Hint: Do not fully tighten any clamps until the complete system is installed and aligned.)

- 1) From under the truck, install the down pipe with the stock band clamp to the turbo.
- 2) Hang the muffler in the stock location using the hanger clamp on the outlet. This determines the placement of the rest of the system.
- 3) Install the s-pipe onto the outlet of the down pipe. Install the hanger clamp in the stock hanger location.
- 4) Measure between the outlet of the s-pipe and the inlet of the muffler. Add 5'' to this measurement for the slip-joints and cut the intermediate pipe to fit. Install the cut pipe between the s-pipe and the muffler with a clamp at front and a on the muffler inlet. Install the hanger clamp in the stock location near the front of the intermediate pipe.
- 5) Install the first tail pipe into the outlet of the muffler using the hanger clamp already installed. Rotate the pipe as needed to pass next to the shock absorber and over the rear axle.
- 6) Install the second tail pipe into the outlet of the first tail pipe with a clamp. Rotate as needed to level the outlet behind the rear tire. Attach the hanger clamp in the stock location.
- 7) Starting at the converter, align and tighten all the pipes and clamps. Start the engine and check for leaks.