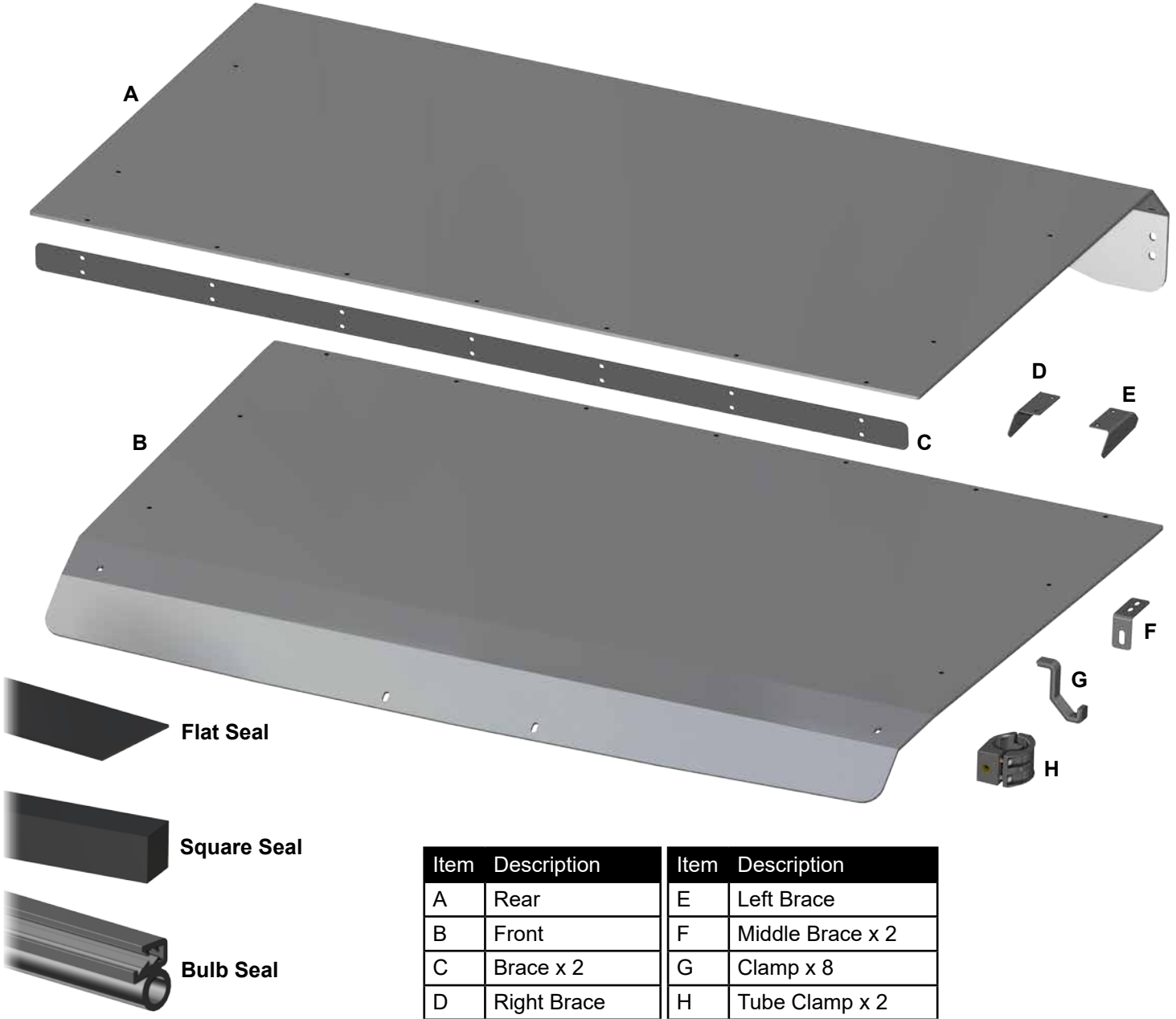


INSTALLATION INSTRUCTIONS
Roof: for Can-Am Defender MAX

- SuperATV does not recommend keeping Roof installed while transporting on an open air trailer. Remove or secure with straps.
- This item is not returnable if the protective film has been removed.
- Test fit to the cage to confirm fitment before removing film.



Item	Description	Item	Description
A	Rear	E	Left Brace
B	Front	F	Middle Brace x 2
C	Brace x 2	G	Clamp x 8
D	Right Brace	H	Tube Clamp x 2

Machine has SuperATV Mirror, Rear Windshield, and Front Windshield installed; not included.

Need help with your installation?

 sales@superatv.com
 www.superatv.com

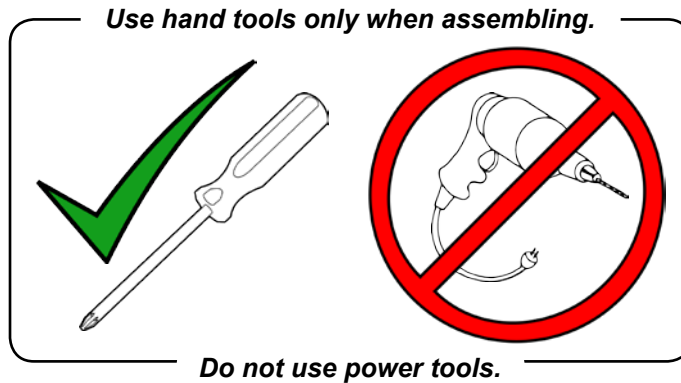
 1-855-743-3427
  8:00am - 8:00pm EST M-Th
 8:00am - 7:00pm EST Friday
 9:00am - 2:00pm EST Saturday

Read instructions and view illustrations before beginning.

*Thank You
 For Choosing*
SUPERATV.COM[®]

Roof Cleaning:

- Do not use Rain-X®, Plexus® or any other protector, wax, or polish.
 - Do not use window cleaning fluids (Windex, 409, etc) or any solvents (gasoline, denatured alcohol, acetone, etc).
 - Never use abrasive cleaners, abrasive pads, or gritty cloths.
1. Thoroughly rinse Roof to float off dirt and mud.
 2. Using a soft cloth, or microfiber cloth, clean Roof with warm water and a gentle detergent. Baby shampoo, rubbing alcohol, or hand washing soap can also be used.
 3. To prevent water spots, use a chamois to blot Roof dry.

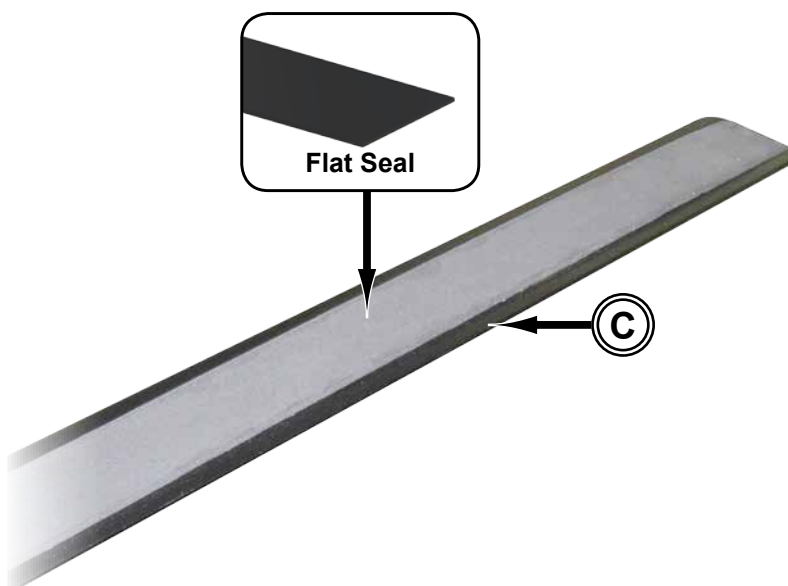


When assembling, **do not tighten hardware completely.**

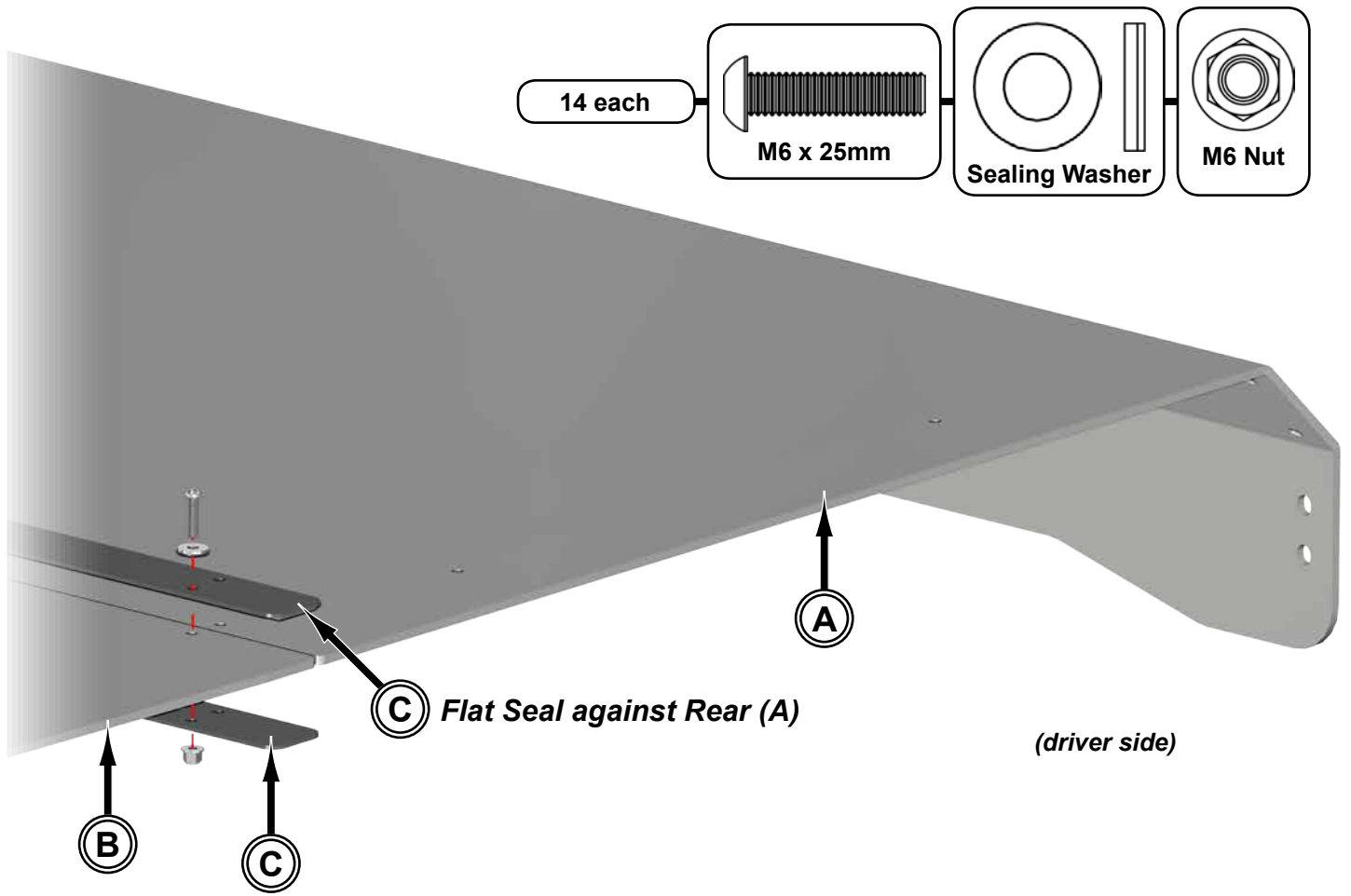


Rubber must face plastic when installing Sealing Washers

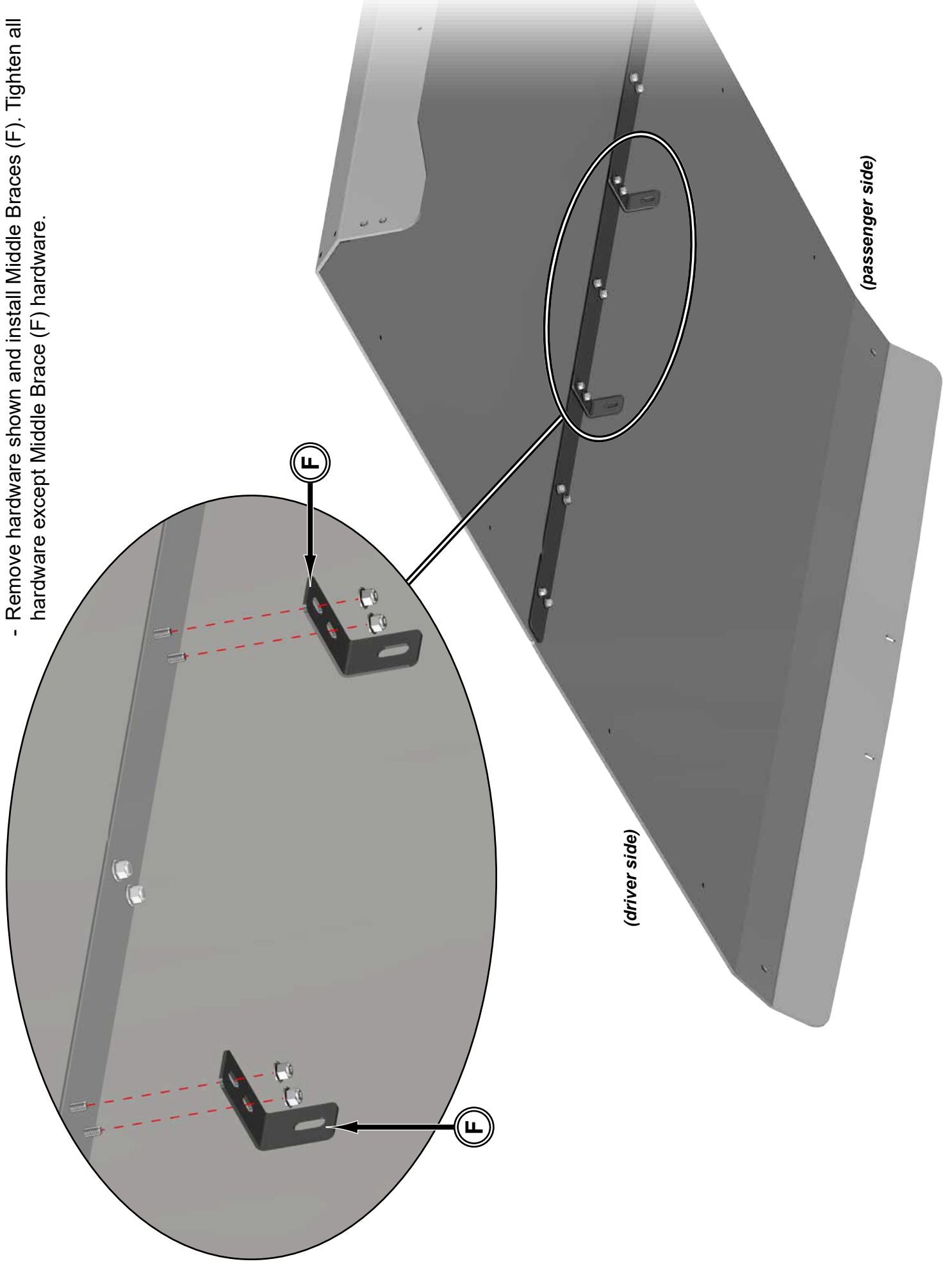
-
-
- Install Flat Seal to only one side of Brace (C). Do not install to remaining Brace (C).



- Join Front (B) and Rear (A) with Braces (C) with hardware shown.



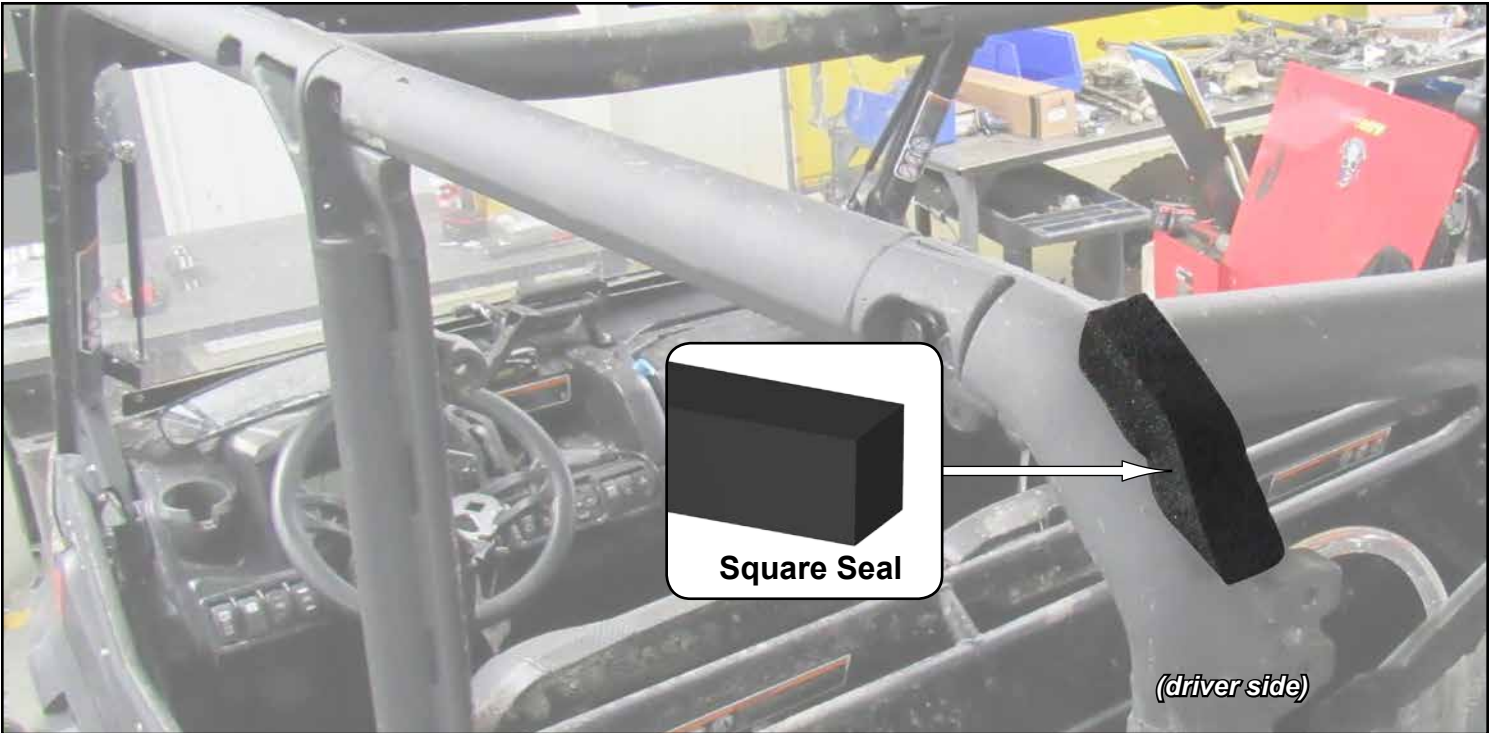
- Remove hardware shown and install Middle Braces (F). Tighten all hardware except Middle Brace (F) hardware.



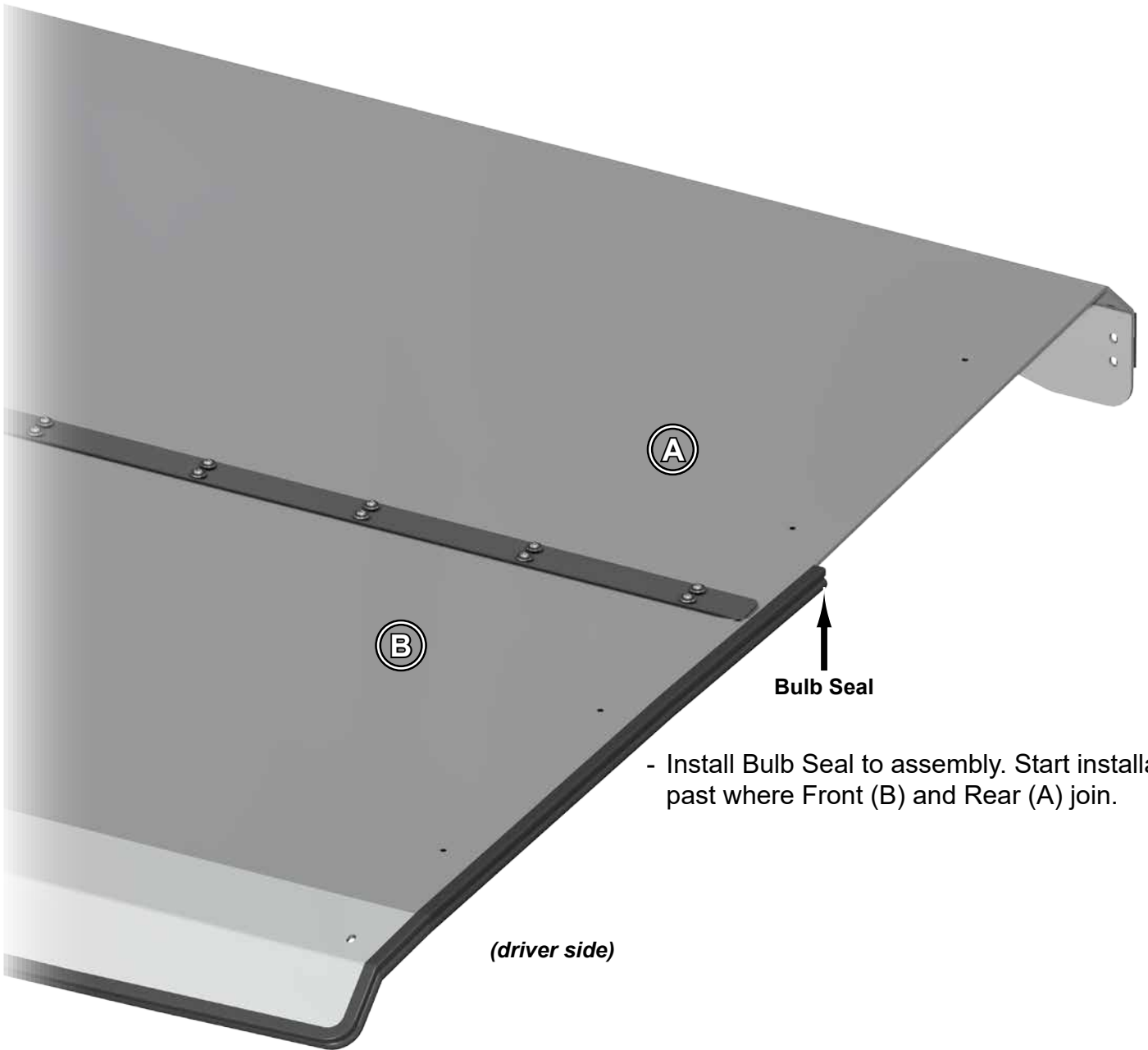
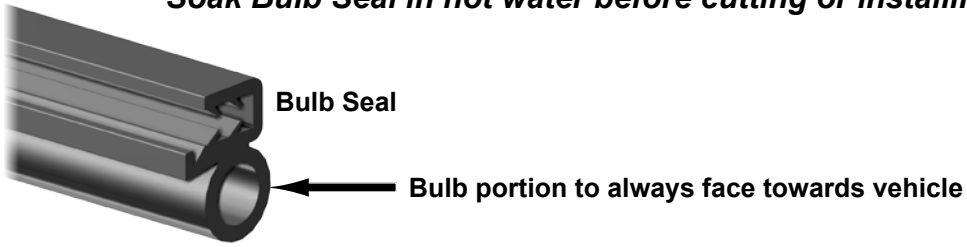
- Loosely secure Tube Clamps (H) around Cage.



- Cut and install Square Seal to Cage in location shown.
- Repeat for opposite side.

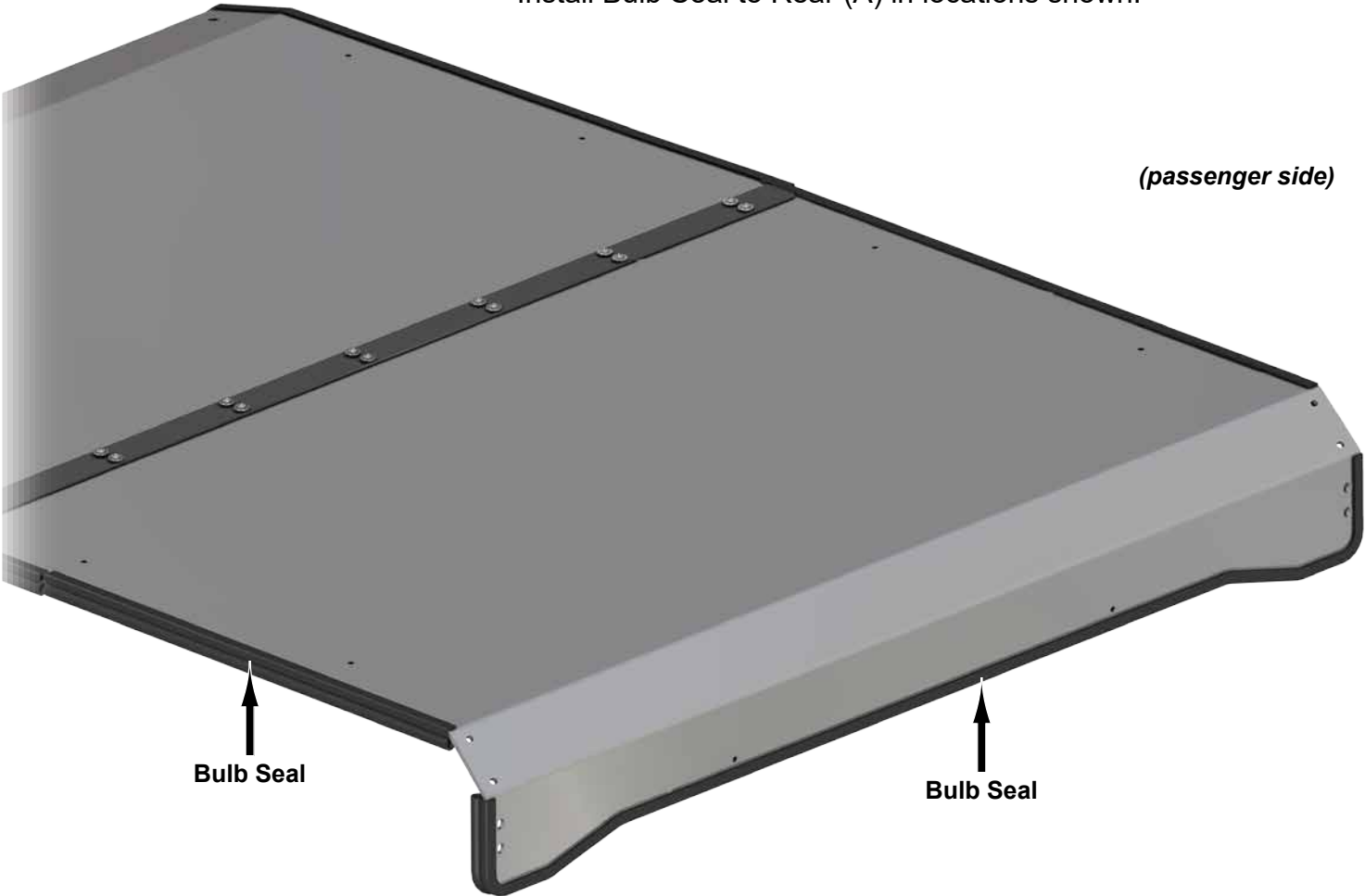


Soak Bulb Seal in hot water before cutting or installing to increase flexibility.

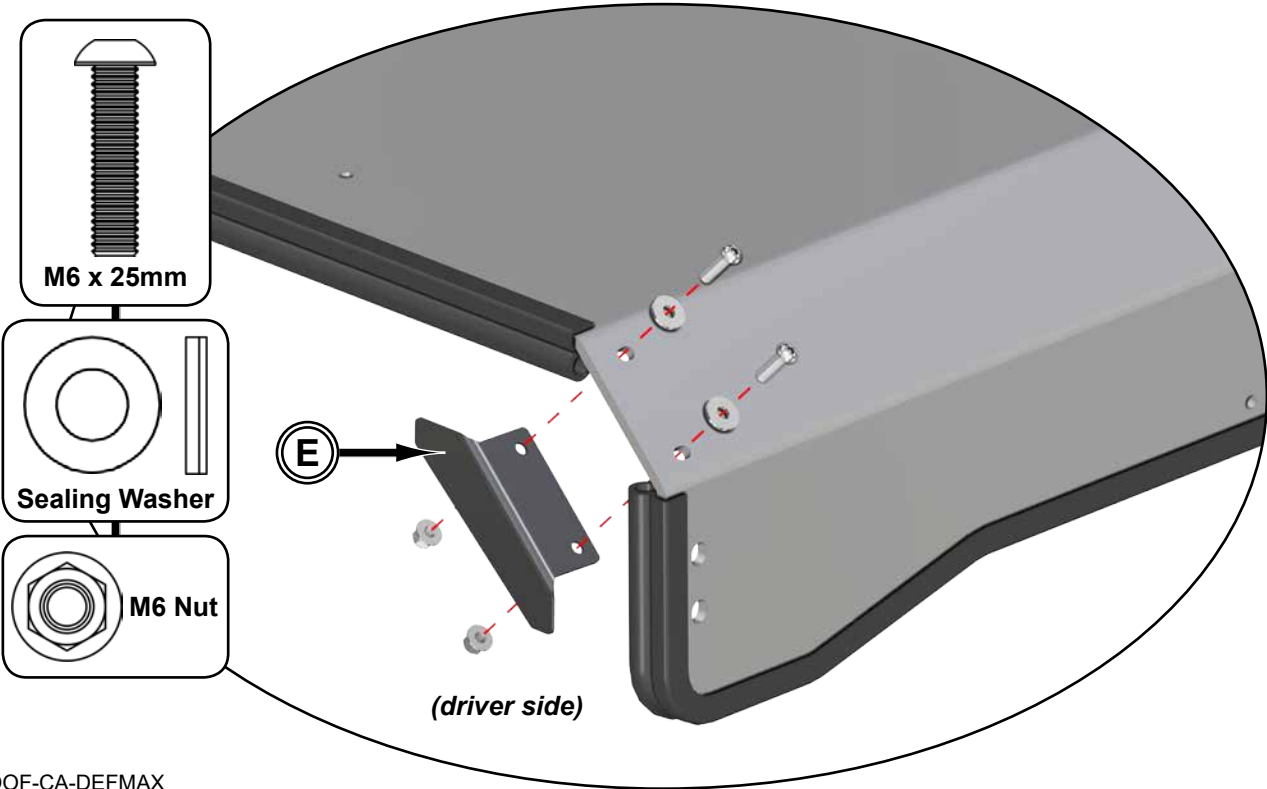


- Install Bulb Seal to assembly. Start installation past where Front (B) and Rear (A) join.

- Install Bulb Seal to Rear (A) in locations shown.



- Install Right and Left Braces (D)(E) to Rear (A) with hardware shown; tighten completely.



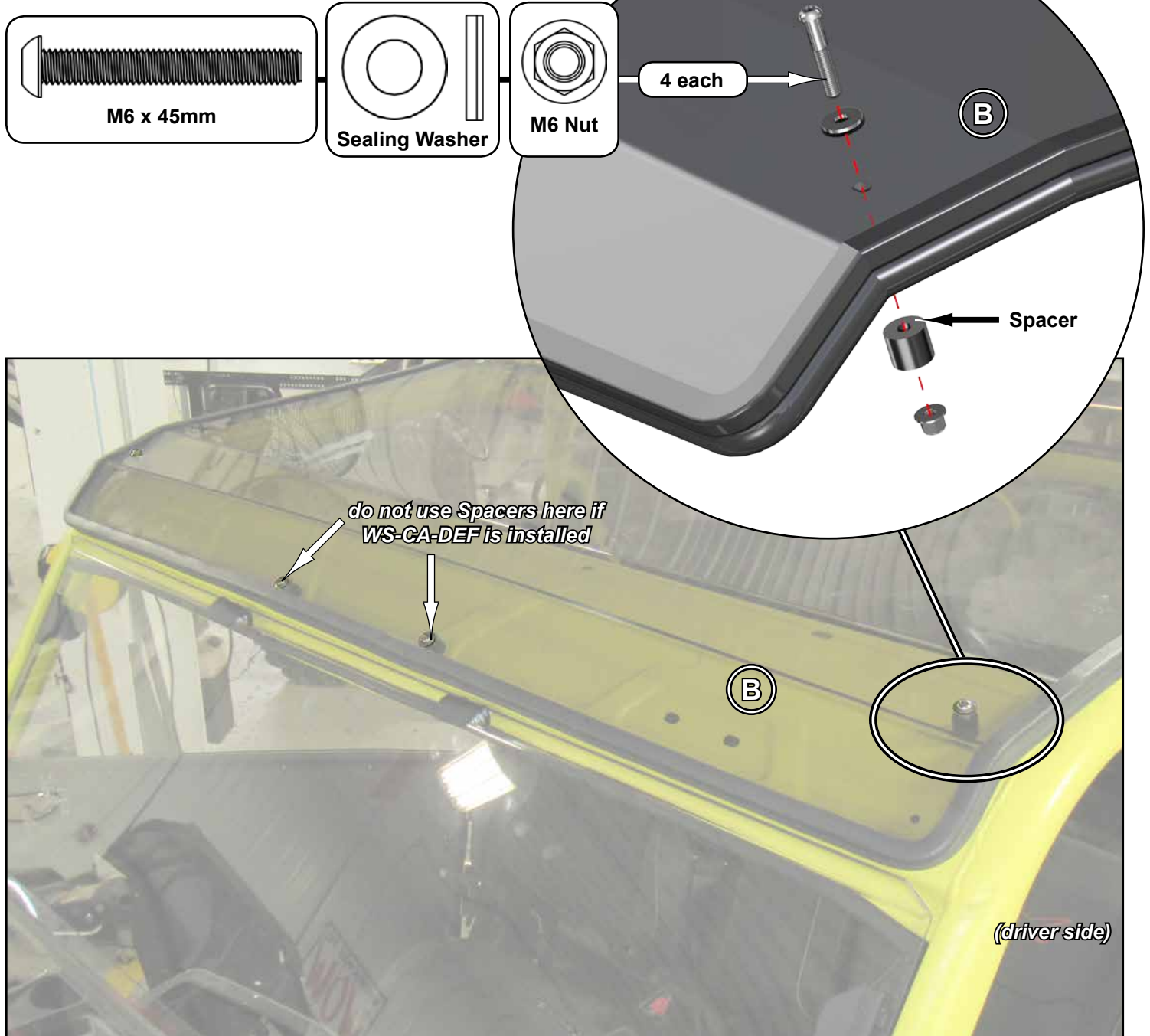
- IF PRESENT, remove Mirror from Bracket.



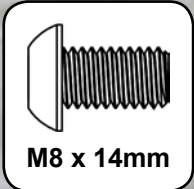
- Remove Bracket from Frame.



- Place assembly onto Frame and secure Front (B) with hardware shown.
- If applicable reinstall Mirror Bracket at this time.
- Do not tighten hardware completely.

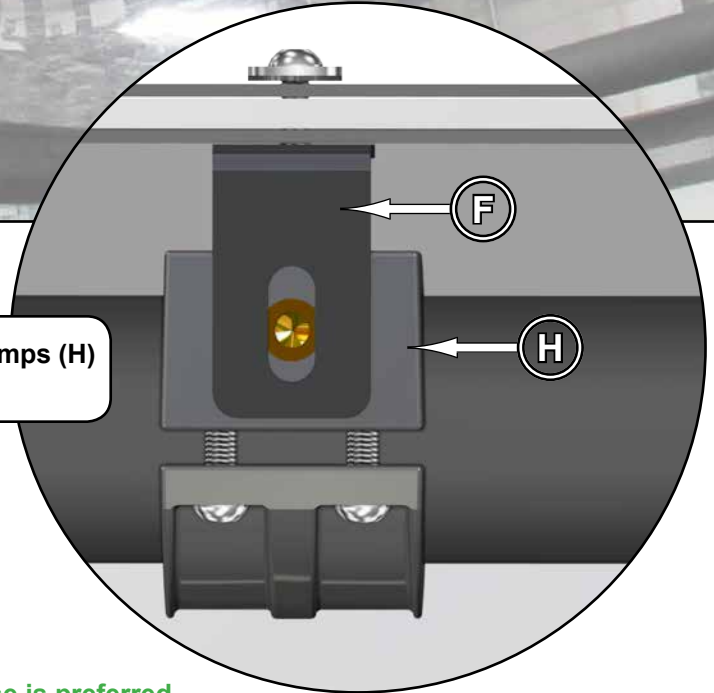


- Secure Middle Braces (F) to Tube Clamps (H) with hardware shown.

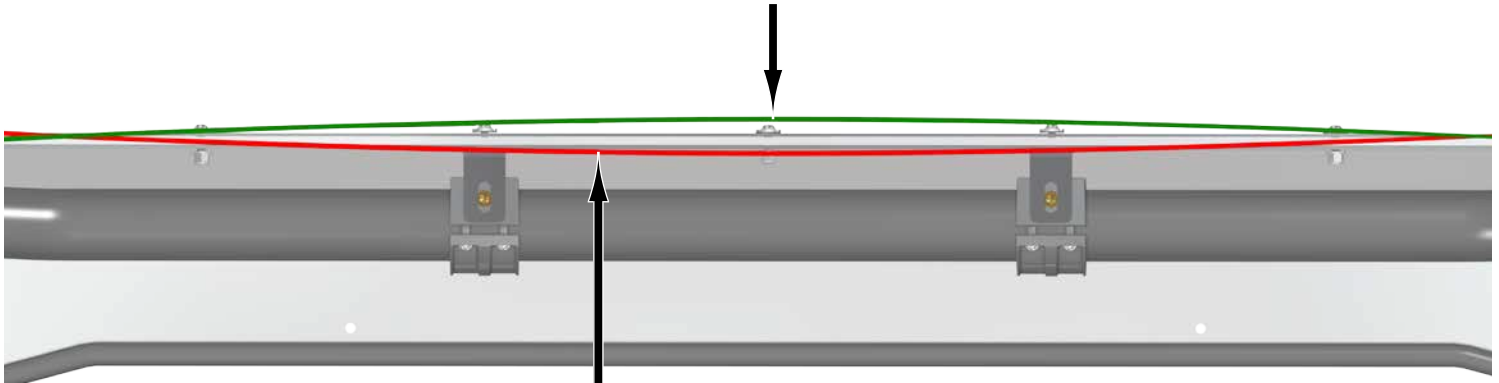


2 each

adjust Middle Braces (F) locations on Tube Clamps (H) so that Roof is level or has a slight rise

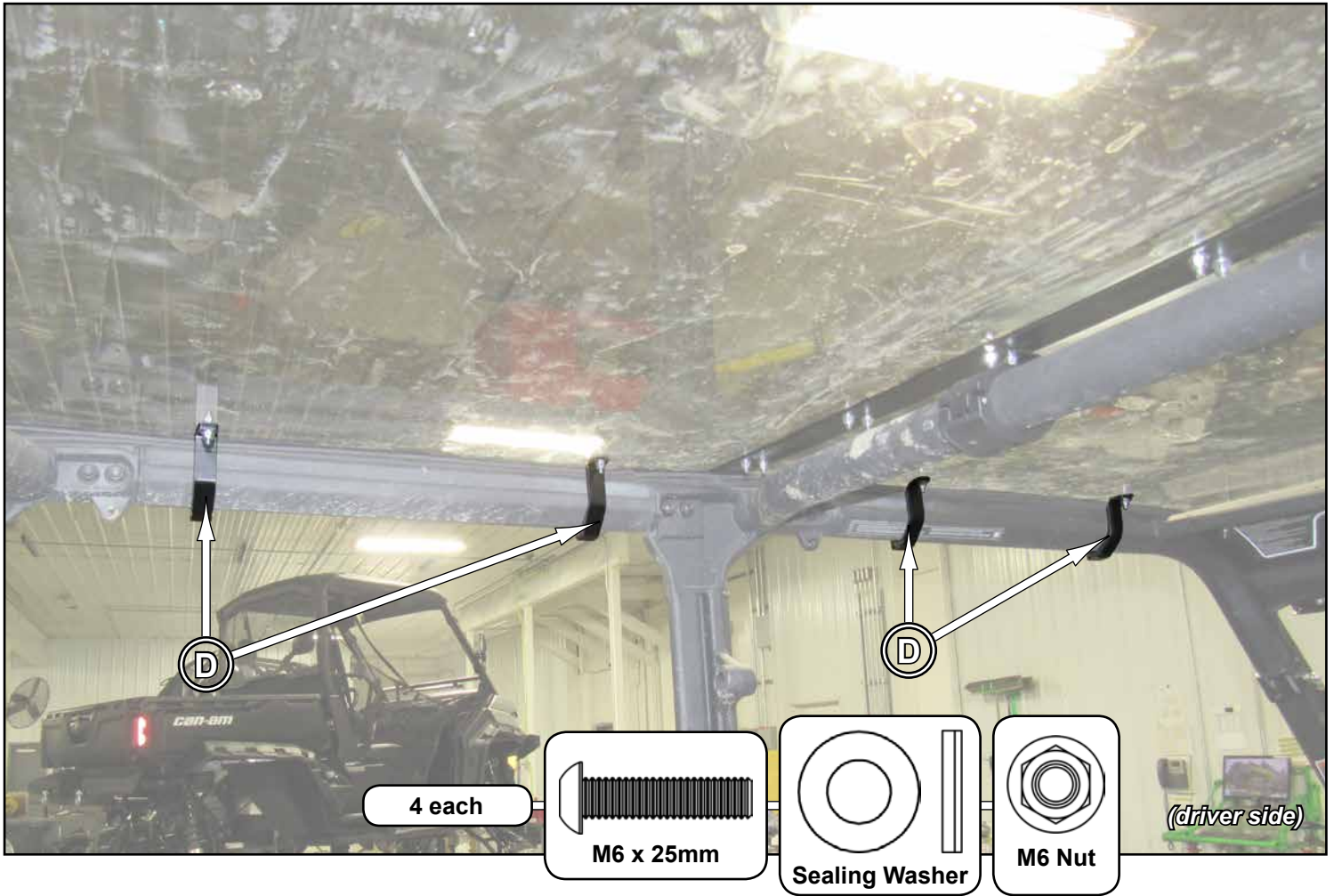


slight rise is preferred

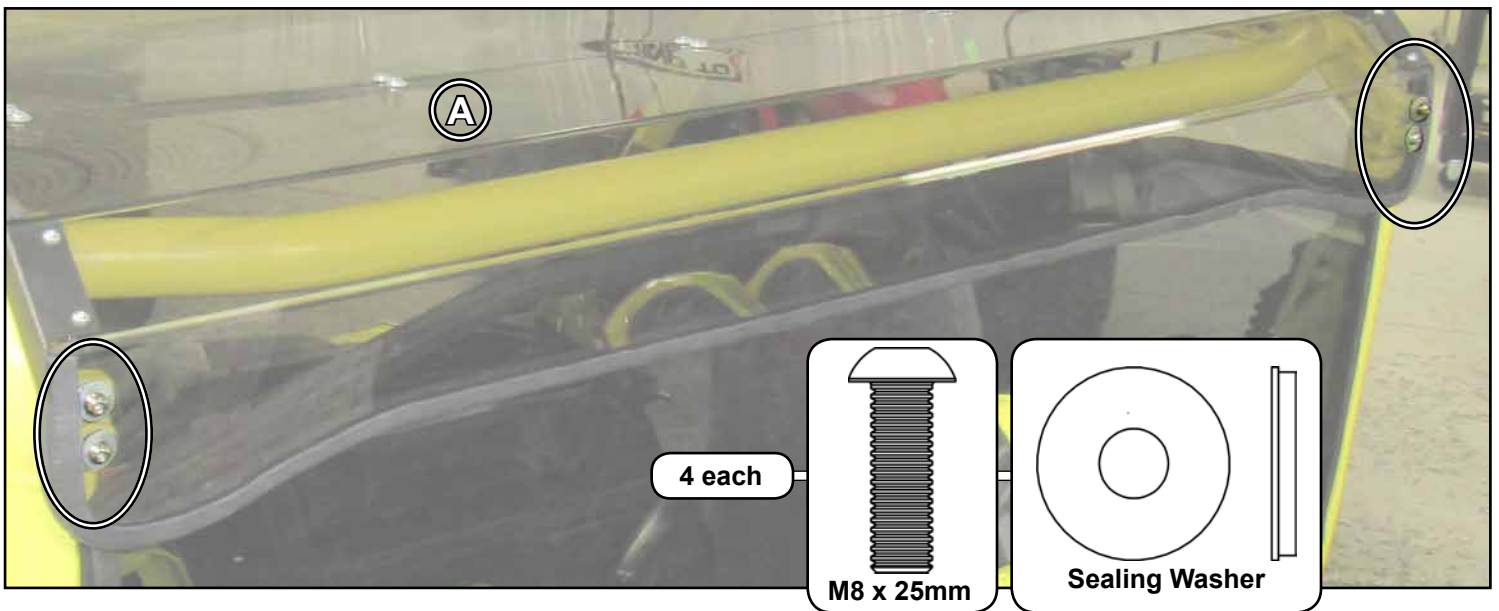


avoid bowing

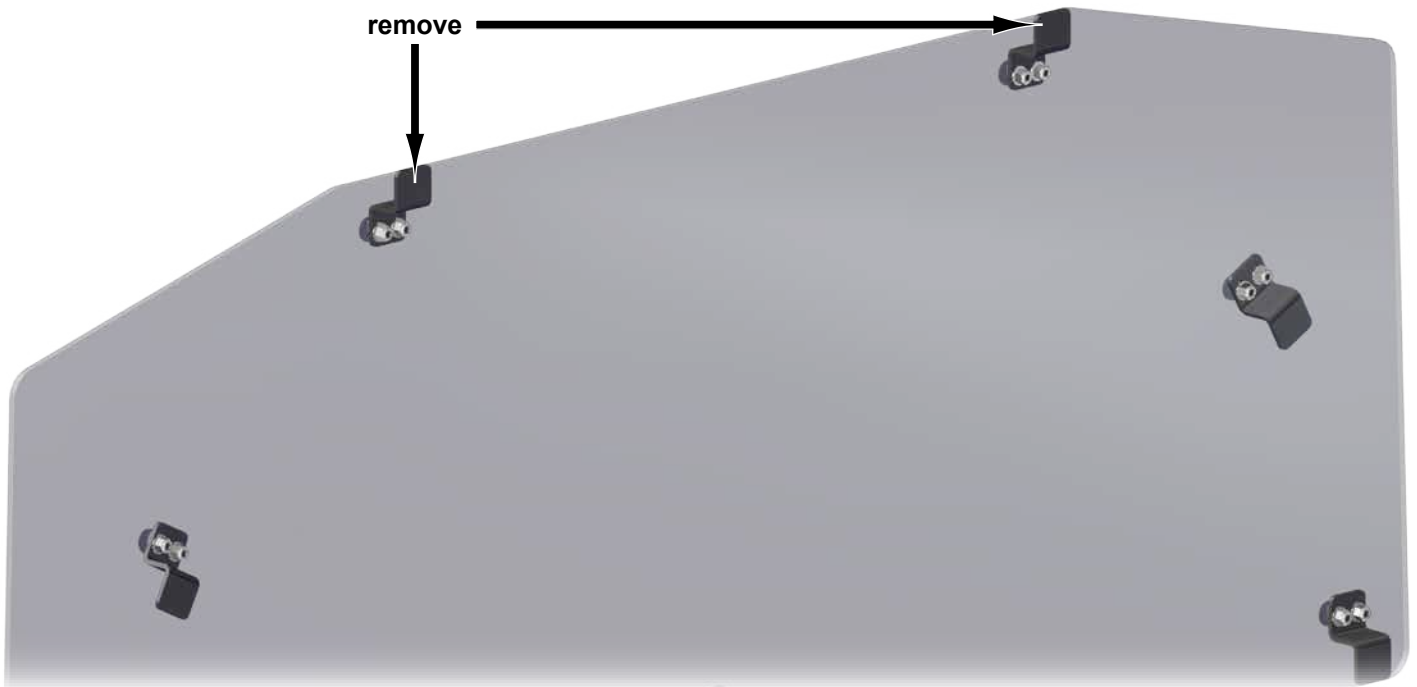
- Install Clamps (D) to Roof and around Frame with hardware shown; do not tighten completely.



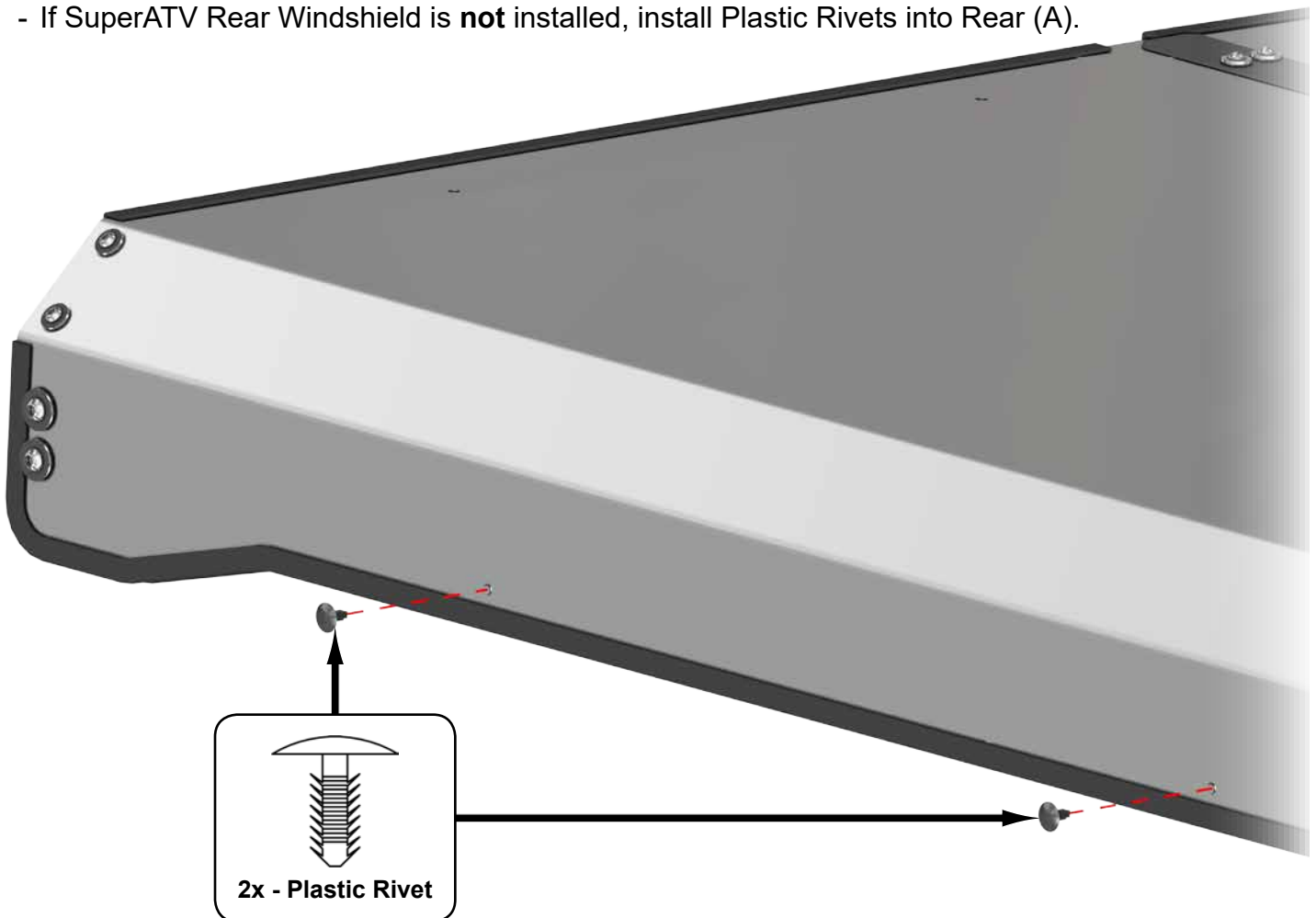
- Secure Rear (A) to Frame with hardware shown; do not tighten completely.



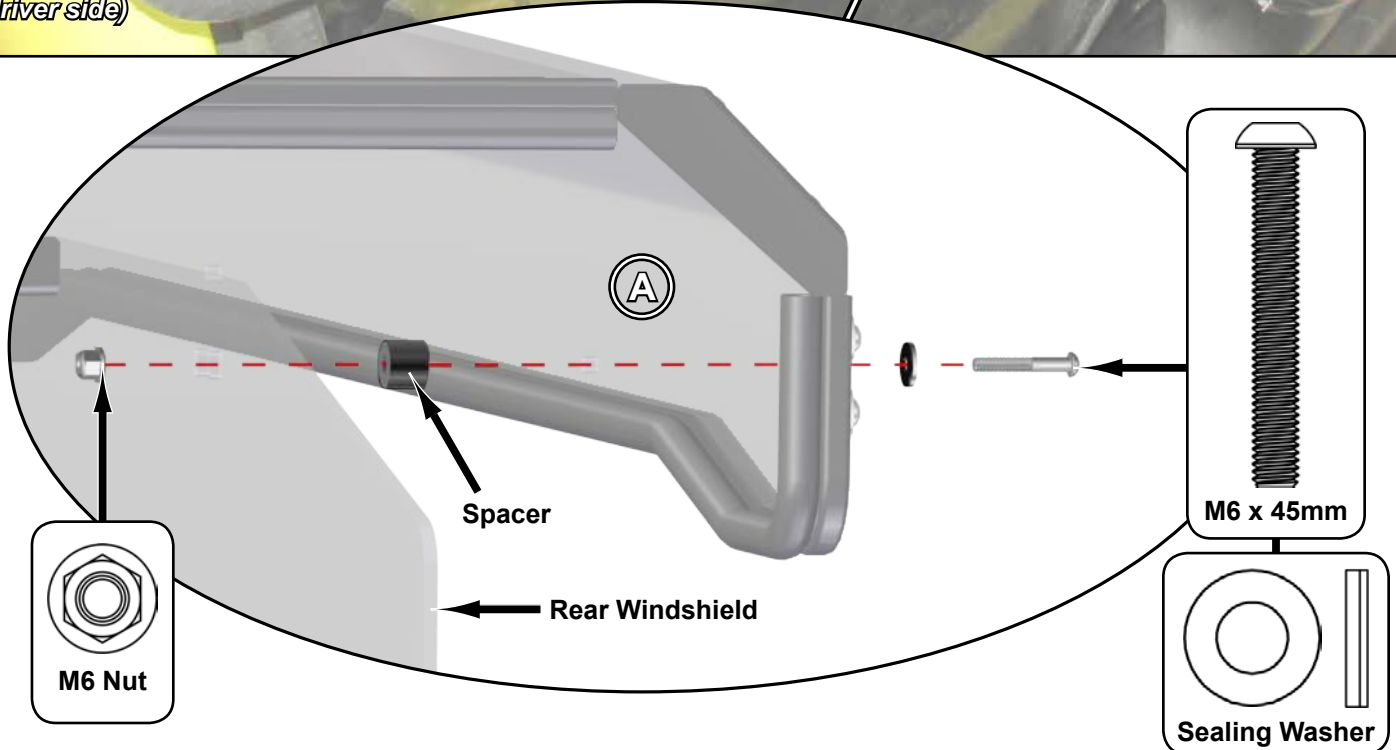
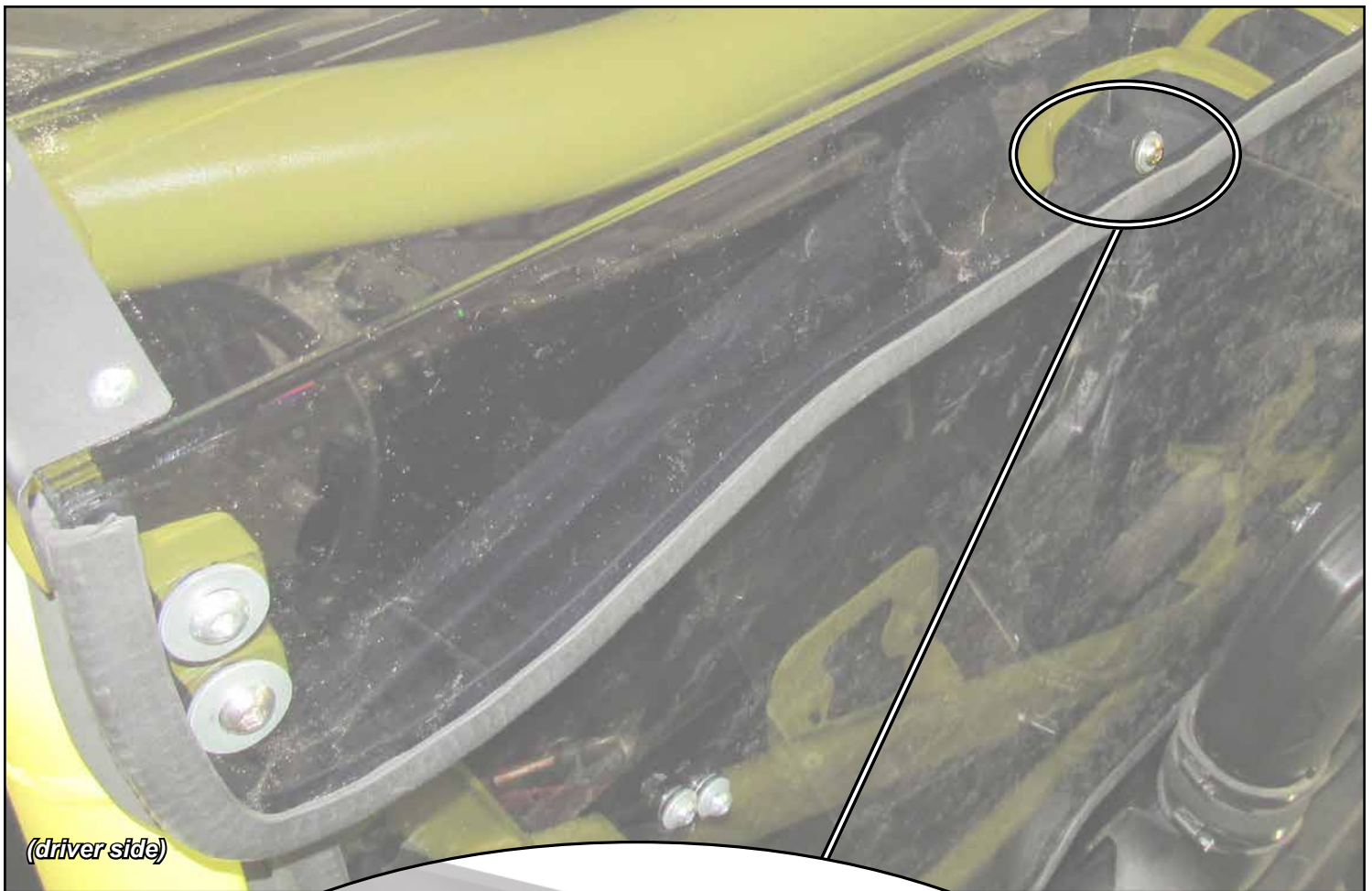
- If machine is equipped with SuperATV Rear Windshield, remove Brackets shown.



- If SuperATV Rear Windshield is **not** installed, install Plastic Rivets into Rear (A).



- Secure Rear (A) to SuperATV Rear Windshield with hardware shown; do not tighten completely.



- Repeat for opposite side.
- Align Roof to machine and tighten all hardware completely.

Liability Statement

SuperATV's® products are designed to best fit user's ATV/UTV under stock conditions. Adding, modifying, or fabricating any factory or aftermarket parts will void any warranty provided by SuperATV® and is not recommended. SuperATV's® products could interfere with other aftermarket accessories. If user has aftermarket products on machine, contact SuperATV® to verify that they will work together.

Although SuperATV® has thousands of satisfied customers, user should be aware that installing lift kits, long travel, or suspension kits, tires, etc. will change the ride of machine and may increase maintenance and part wear. Operating any off-road machine while, or after, consuming alcohol and/or drugs increases risk of bodily harm or death. No warranty or representation is made as to this product's ability to protect user from severe injury or death. SuperATV® urges operators and occupants to wear a helmet and appropriate riding gear at all times.

By purchasing and installing SuperATV® products, user agrees that should damages occur, SuperATV® will not be held responsible for loss of time, use, labor fees, replacement parts, or freight charges. SuperATV®, nor any 3rd party, will not be held responsible for any direct, indirect, incidental, special, or consequential damages that result from any product purchased from SuperATV®. The total liability of seller to user for all damages, losses, and causes of action, if any, shall not exceed the total purchase price paid for the product that gave rise to the claim.

SuperATV® will warranty only parts provided by SuperATV®. Any damage or problems with OEM housings, bearings, seals, or other manufacturers' products will not be covered by SuperATV®. SuperATV® parts and products are not warrantied if item was not installed properly, misused, or modified.

Installing, adding, modifying, or fabricating any factory or aftermarket product to your ATV/UTV may violate certain local, state, and federal laws. Be advised that laws vary depending on town, city, county, state, etc. Use of certain products on public streets, roads, or highways may be in violation law. The Buyer is solely and exclusively legally and personally responsible for any violation of the law by the installation or use of the product. You must abide by all local, state, and federal laws, including but not limited to vehicle safety, traffic laws, and ordinances. It is your responsibility to know the laws and how they apply to you.

The Buyer is responsible to fully understand the capability and limitations of his/her vehicle according to manufacturer specifications, warnings and instructions and agrees to hold SuperATV® harmless from any damage resulting from failure to adhere to such specifications, warnings and/ or instructions. The Buyer is also responsible to obey all applicable federal, state, and local laws and ordinances when operating his/her vehicle while using this product, and the Buyer agrees to hold SuperATV® harmless from any violation thereof.