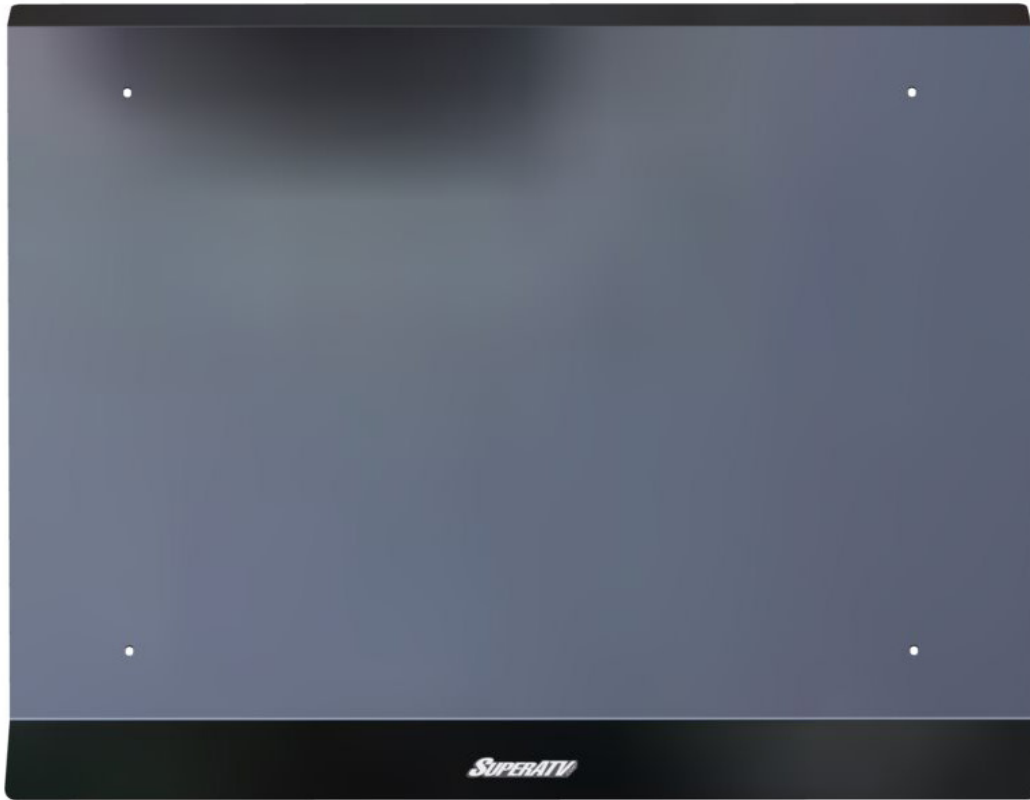


INSTALLATION INSTRUCTIONS

Rear Windshield: ROOF-KA-S200



Aluminum Roof (1) pc

Edge Trim (1) pc

Adhesive Rubber Seal (1) pc



M6 Nylock Nuts (4) pc



M6x25 Sealing Button Head (4) pc

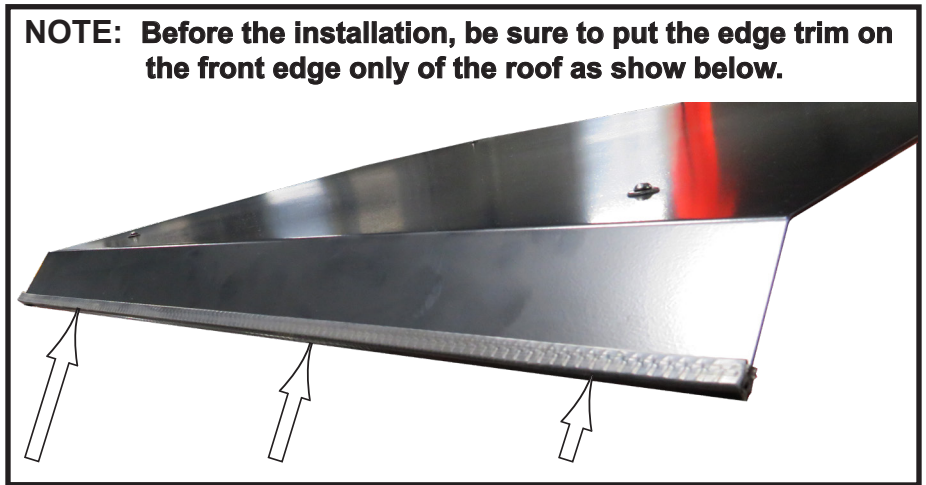


Snug-Fit Clamps (4) pc

1. The first thing you need to do is install the Adhesive Rubber Seal Stripping to the top of the Cage Frame in the areas as shown in **Fig.1**.

TIP: You can place the roof on top before you apply the seal to see what areas will rest on the frame so you know exactly where to put it, if you like.

NOTE: Before the installation, be sure to put the edge trim on the front edge only of the roof as show below.



2. After the stripping is on, then lay the roof on top to see where the clamps will need to go according to the mounting holes in the roof. Then cut the rubber seal where the clamps go around the rails so the clamps grip directly onto the rails and not over the rubber seal. You can see that the rear rail seal has already been cut to accommodate a clamp for a previous rear window as shown in **Fig.1**.



Fig.1

3. Next, install the four clamps onto the rails, two on the front rail and two on the rear rail, and position them to look like the ones in **Fig.2**.



Fig.2

4. Now you can lay the roof back on top and secure it to the vehicle using the Sealing Bolts and Nylock Nuts provided in your kit.

Fig.3 - 4 show how the clamps are used to tie down the roof to the frame and the order in which they are installed.

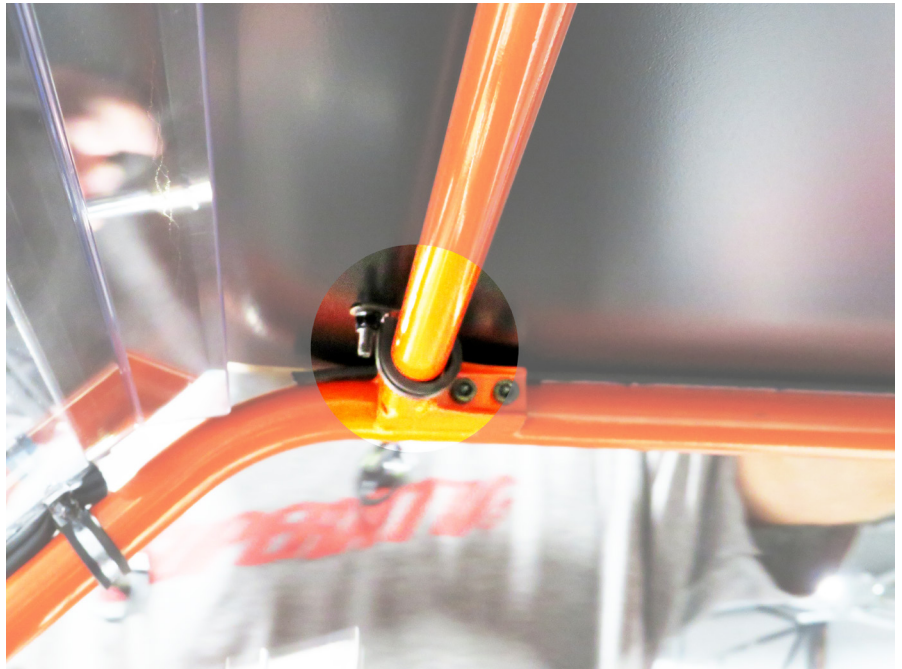


Fig.3



5. **Fig.4** shows the roof laying on the clamp and the hardware used to attach it to the vehicle framing.

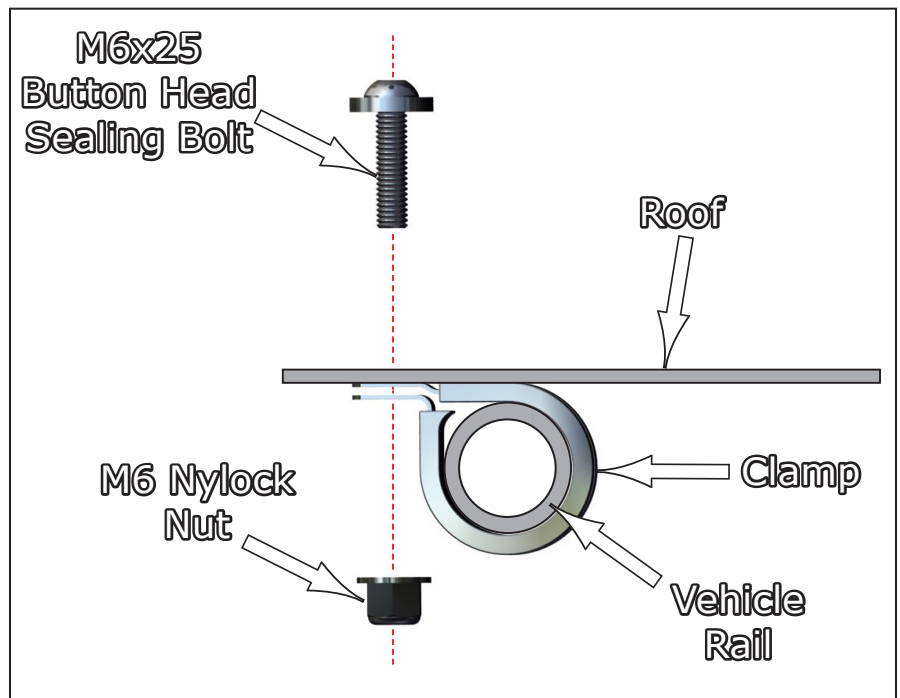


Fig.4

6. Your roof should look like the one below when you are finished.



Liability Statement

SuperATV's® products are designed to best fit user's ATV/UTV under stock conditions. Adding, modifying, or fabricating any factory or aftermarket parts will void any warranty provided by SuperATV® and is not recommended. SuperATV's® products could interfere with other aftermarket accessories. If user has aftermarket products on machine, contact SuperATV® to verify that they will work together.

Although SuperATV® has thousands of satisfied customers, user should be aware that installing lift kits, long travel, or suspension kits, tires, etc. will change the ride of machine and may increase maintenance and part wear. Operating any off-road machine while, or after, consuming alcohol and/or drugs increases risk of bodily harm or death. No warranty or representation is made as to this product's ability to protect user from severe injury or death. SuperATV® urges operators and occupants to wear a helmet and appropriate riding gear at all times.

By purchasing and installing SuperATV® products, user agrees that should damages occur, SuperATV® will not be held responsible for loss of time, use, labor fees, replacement parts, or freight charges. SuperATV®, nor any 3rd party, will not be held responsible for any direct, indirect, incidental, special, or consequential damages that result from any product purchased from SuperATV®. The total liability of seller to user for all damages, losses, and causes of action, if any, shall not exceed the total purchase price paid for the product that gave rise to the claim.

SuperATV® will warranty only parts provided by SuperATV®. Any damage or problems with OEM housings, bearings, seals, or other manufacturers' products will not be covered by SuperATV®. SuperATV® parts and products are not warranted if item was not installed properly, misused, or modified.

Installing, adding, modifying, or fabricating any factory or aftermarket product to your ATV/UTV may violate certain local, state, and federal laws. Be advised that laws vary depending on town, city, county, state, etc. Use of certain products on public streets, roads, or highways may be in violation law. The Buyer is solely and exclusively legally and personally responsible for any violation of the law by the installation or use of the product. You must abide by all local, state, and federal laws, including but not limited to vehicle safety, traffic laws, and ordinances. It is your responsibility to know the laws and how they apply to you.

The Buyer is responsible to fully understand the capability and limitations of his/her vehicle according to manufacturer specifications, warnings and instructions and agrees to hold SuperATV® harmless from any damage resulting from failure to adhere to such specifications, warnings and/ or instructions. The Buyer is also responsible to obey all applicable federal, state, and local laws and ordinances when operating his/her vehicle while using this product, and the Buyer agrees to hold SuperATV® harmless from any violation thereof.

If you have any problems/questions on this kit, contact us by email at [Superatv.com](mailto:sales@superatv.com).

Need help with your installation?



sales@superatv.com



www.superatv.com



1-855-743-3427



8:00am - 9:00pm EST M-Th
8:00am - 7:00pm EST Friday
9:00am - 2:00pm EST Saturday

*Thank You
For Choosing*



Like SuperATV on Facebook to keep up to date on new products!