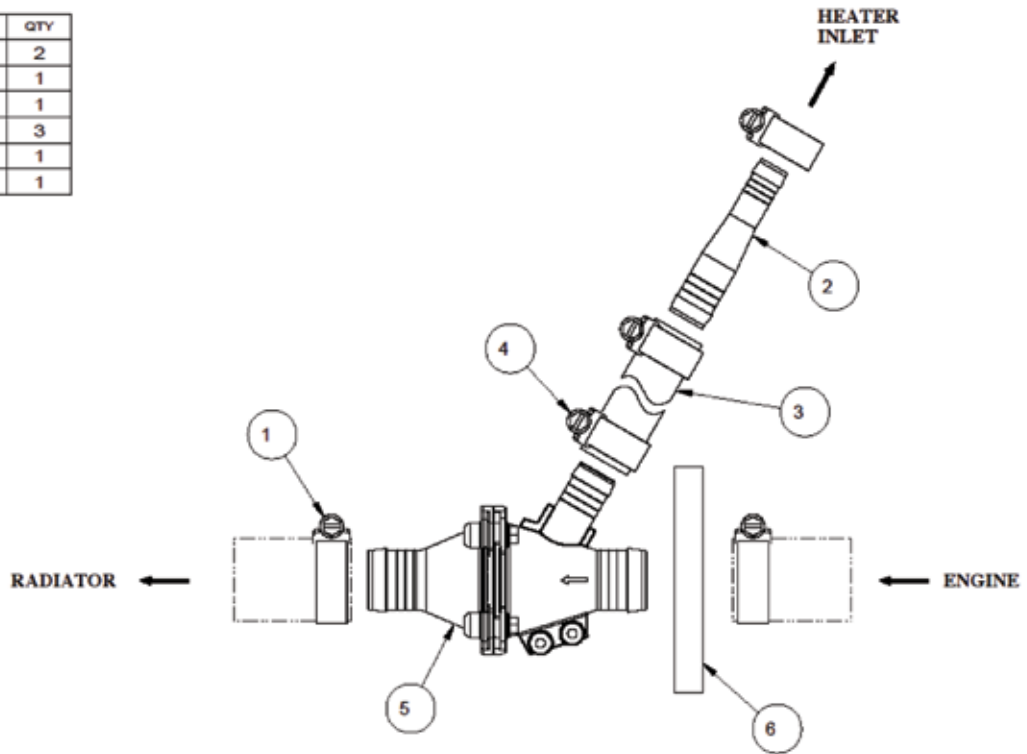


Do not discard packaging until product has been successfully installed.

ITEM NO	DESCRIPTION	QTY
1	1" HOSE CLAMP	2
2	1/2" X 5/8" SPLICE	1
3	5/8" HEATER HOSE	1
4	5/8" HOSE CLAMP	3
5	THERMOSTAT ASSY	1
6	THERMOSTAT BUMPER	1



- A. Before starting allow the vehicle to cool. (Hot coolant is under pressure and may cause serious injury.)
- B. Disconnect the battery power cable.
- C. Remove the radiator cap.
- D. If you already have a heater system installed you will replace the Y or Tee fitting you currently have on the radiator hose on the engine outlet side, leading to the heater system.
- E. Using 3 pair of hose pliers, clamp the 2 radiator lines and 1 heater line connected to the Y or Tee fitting, to prevent the loss of engine coolant.
- F. Place a catch pan under the Y or Tee fitting to be removed, to catch any coolant that may be trapped between the pliers.
- G. Remove the Y or Tee fitting. Replace the Y or Tee fitting with the Thermostat (5). Orient the Thermostat (5) in radiator line as shown with arrow, where Thermostat forms a Y on the engine outlet side of the cut radiator hose. Secure Thermostat (5) with hose clamps (1) on the larger sides and hose clamp (4) on smaller port.
- H. If heater hose is 1/2", cut a piece of the 5/8" heater hose (3) to length. Clamp 5/8" heater hose (3) to heater outlet on Thermostat (5) and place 5/8" end of Splice (2) in opposite end of 5/8" hose. Clamp existing 1/2" heater hose to opposite end of Splice (2).

**Need help with your installation?**



sales@superatv.com



www.superatv.com



1-855-743-3427



8:00am - 8:00pm EST M-Th  
8:00am - 7:00pm EST Friday  
9:00am - 2:00pm EST Saturday

**Read instructions and view illustrations before beginning.**

*Thank You  
For Choosing*

# SUPERATV.COM

- I. If adding a new heater system, follow the instructions on the installation of the heater and place the Thermostat (5) in the radiator heater hose on the engine outlet side, instead of one Y or Tee fitting. Orient the Thermostat (5) in radiator line as shown with arrow, where Thermostat forms a Y on the engine outlet side of the cut radiator hose. Secure Thermostat (5) with hose clamps (1) on the larger sides and hose clamp (4) on smaller port.
- J. Remove hose pliers.
- K. If needed, use the Thermal bumper (6) for extra protection around the thermostat.
- L. Connect the battery.
- M. Fill cooling system and **BLEED AIR FROM THE SYSTEM** according to the service manual.
- N. Run engine through two complete fan cycles. Allow to cool and top off engine coolant recovery bottle.
- O. Periodically check coolant during the first couple hours of operations.

**CAUTION: Safety glasses and protective gloves should always be worn for installs.  
Severe damage can be caused if the air is not bled from the radiator system.**

#### **CUSTOMER NOTIFICATION AND DISCLAIMER LIABILITY**

**This product is a modification for utility task vehicles and all terrain vehicles. Use this product at your own risk.**

**Warranty and Liability Limitations.** The Buyer hereby assumes all risks associated with the use and/or installation of this product. Buyer waives all liability claims against SuperATV® of any kind or nature, including, but not limited to, liability for penalties, fines, property damage, personal injury or death, to the fullest extent permitted by law. Buyer acknowledges and agrees that SuperATV® is not liable for any direct, indirect, incidental, consequential or special damages, including but not limited to, damage, loss of life, loss of property or equipment, loss of profits or revenue, injury, or claims from any individual or entity arising from the use of this product.

The warranty for this product, if any, may give you ("Buyer") specific legal rights, and Buyer may also have other rights which may vary from state to state. The installation of this product may void or otherwise adversely affect your factory warranty.

Consult your vehicle warranty before using this Product. Under no circumstances will SuperATV® be liable for the voidance of the Buyer's vehicle warranty. Buyer assumes all risk and responsibility if a manufacturer and/or dealer voids the Buyer's vehicle warranty due to use of this Product.

**Safety and Laws.** Operate your vehicle at all times in a safe manner. You must abide by all local, state, and federal laws, including but not limited to vehicle safety, traffic laws, and ordinances. It is your responsibility to know the laws and how they apply to you. The installation of this product may violate certain local, state, and federal laws. Be advised that laws vary depending on town, city, county, state, etc. Use of this product on public streets, roads, or highways may be in violation law. The Buyer is solely and exclusively legally and personally responsible for any violation of the law by the installation or use of this product. In no case will SuperATV® be held liable if Buyer violates the law or uses the product in an unsafe manner.

The Buyer is responsible to fully understand the capability and limitations of his/her vehicle according to manufacturer specifications, warnings and instructions and agrees to hold SuperATV® harmless from any damage resulting from failure to adhere to such specifications, warnings and/ or instructions. The Buyer is also responsible to obey all applicable federal, state, and local laws when operating his/her vehicle while using this product, and the Buyer agrees to hold SuperATV® harmless from any violation thereof.

**Installation.** The installation of this product on your vehicle indicates that you have had the opportunity to inquire about applicable local, state, and federal laws and ordinances and that you have read and understand, and accept all of the terms of, this Disclaimer.

SuperATV® shall not be responsible for the proper installation, use, and service of this product. Rather, the Buyer shall be solely responsible for the installation of the product and any damage that may be done to the vehicle or vehicle components as a result of modifications made by the Buyer.