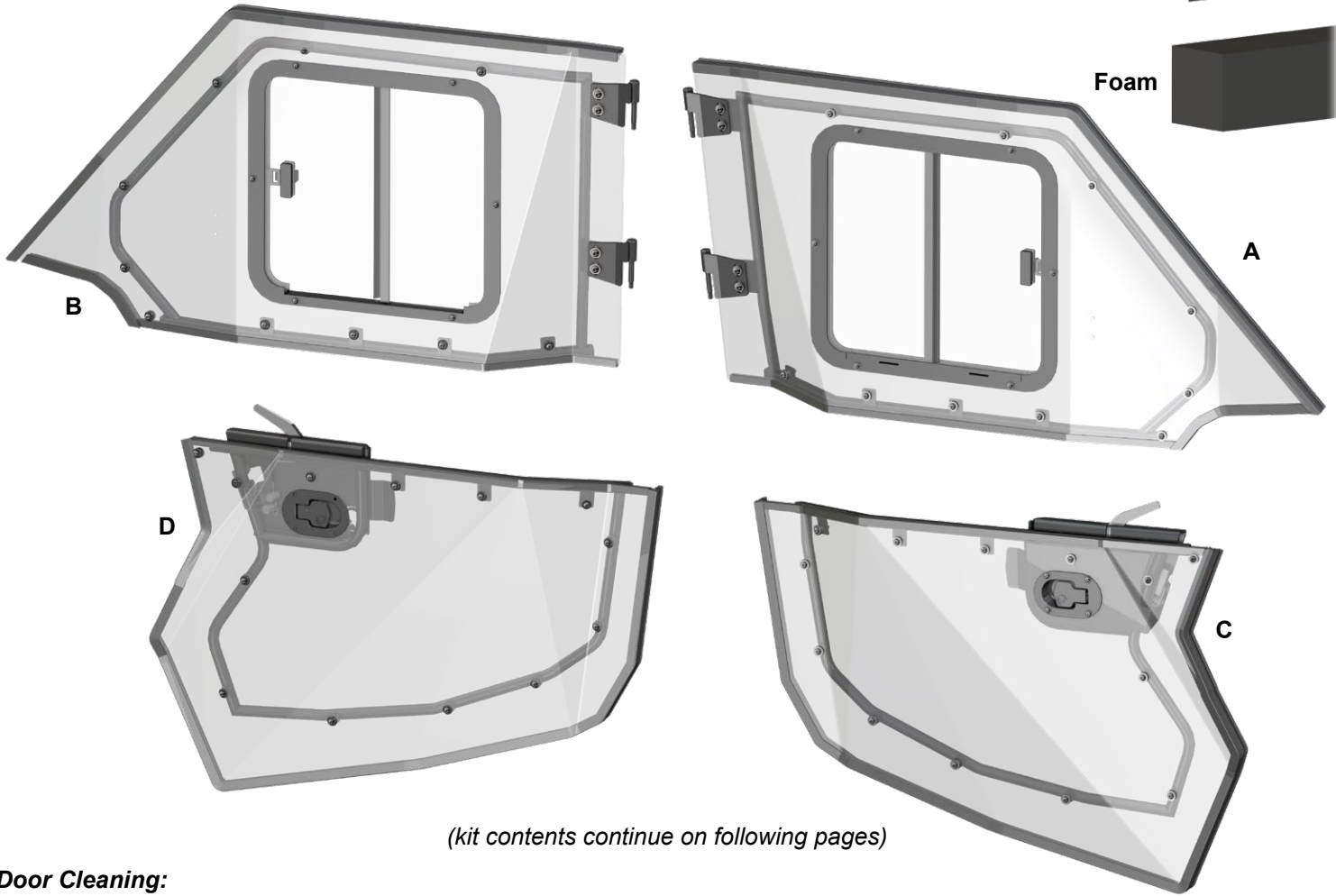
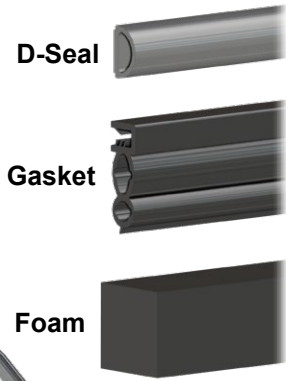


Item	Description
A	Right Front
B	Left Front
C	Right Lower
D	Left Lower

- Do not discard packaging until product has been successfully installed.
- When installing components, keep hardware snug; not tight.



(kit contents continue on following pages)

Door Cleaning:

- Do not use Rain-X®, Plexus® or any other protector, wax, or polish.
 - Do not use window cleaning fluids (Windex, 409, etc) or any solvents (gasoline, denatured alcohol, acetone, etc).
 - Never use abrasive cleaners, abrasive pads, or gritty cloths.
 - Never use razor blades, scrapers, squeegees, brushes, etc.
1. Thoroughly rinse Doors to float off dirt and mud.
 2. Using a soft cloth, or microfiber cloth, clean Doors with warm water and a gentle detergent. Baby shampoo, rubbing alcohol, or hand washing soap can also be used.
 3. To prevent water spots, use a chamois to blot Doors dry.

Need help with your installation?

✉ sales@superatv.com 🌐 www.superatv.com

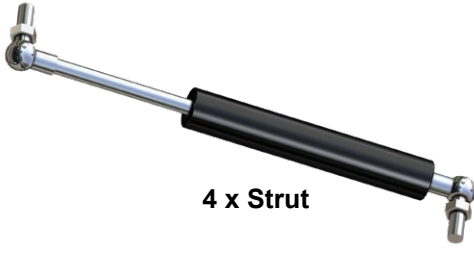
☎ 1-855-743-3427 🕒 8:00am - 8:00pm EST M-Th
 8:00am - 7:00pm EST Friday
 9:00am - 2:00pm EST Saturday

Read instructions and view illustrations before beginning.

Thank You
For Choosing
SUPERATV.COM[®]

Item	Description
E	Right Rear
F	Left Rear
G	Right Rear Lower
H	Left Rear Lower

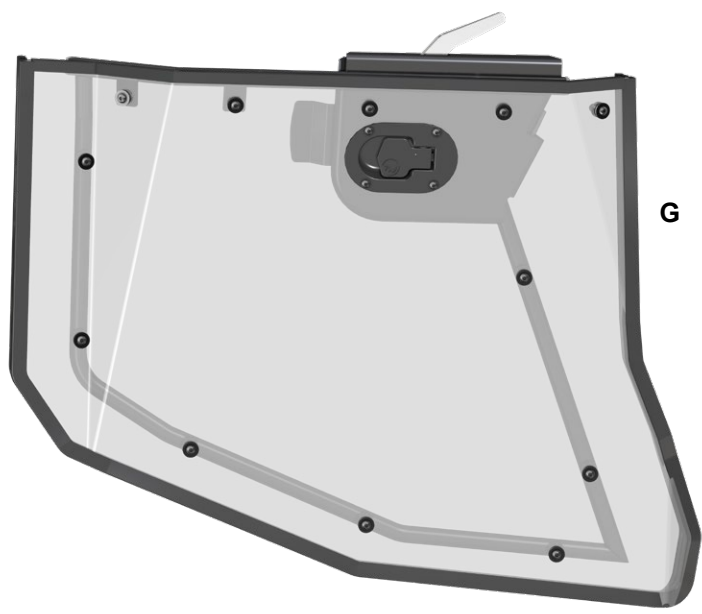
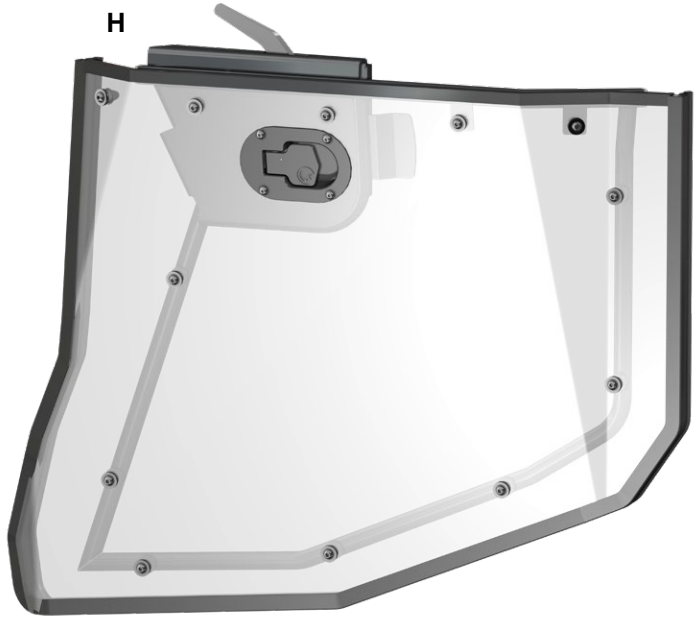
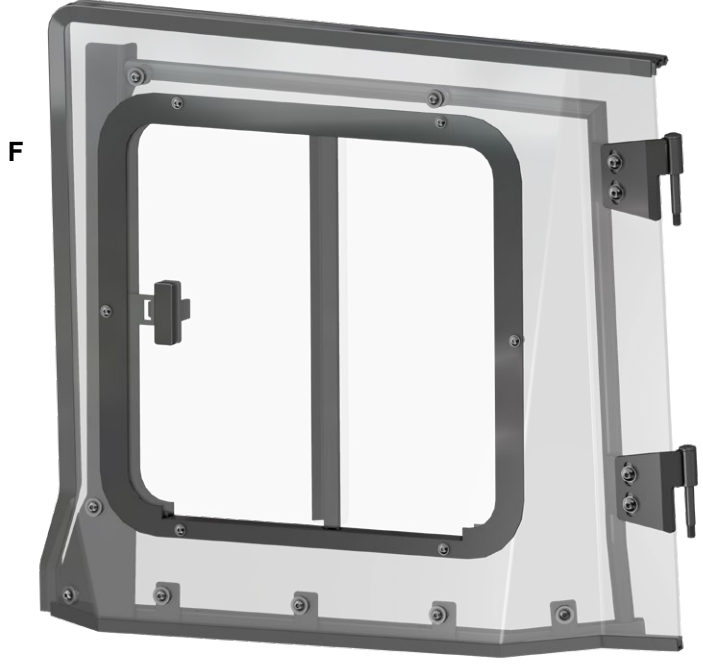
(kit contents continued)



4 x Strut

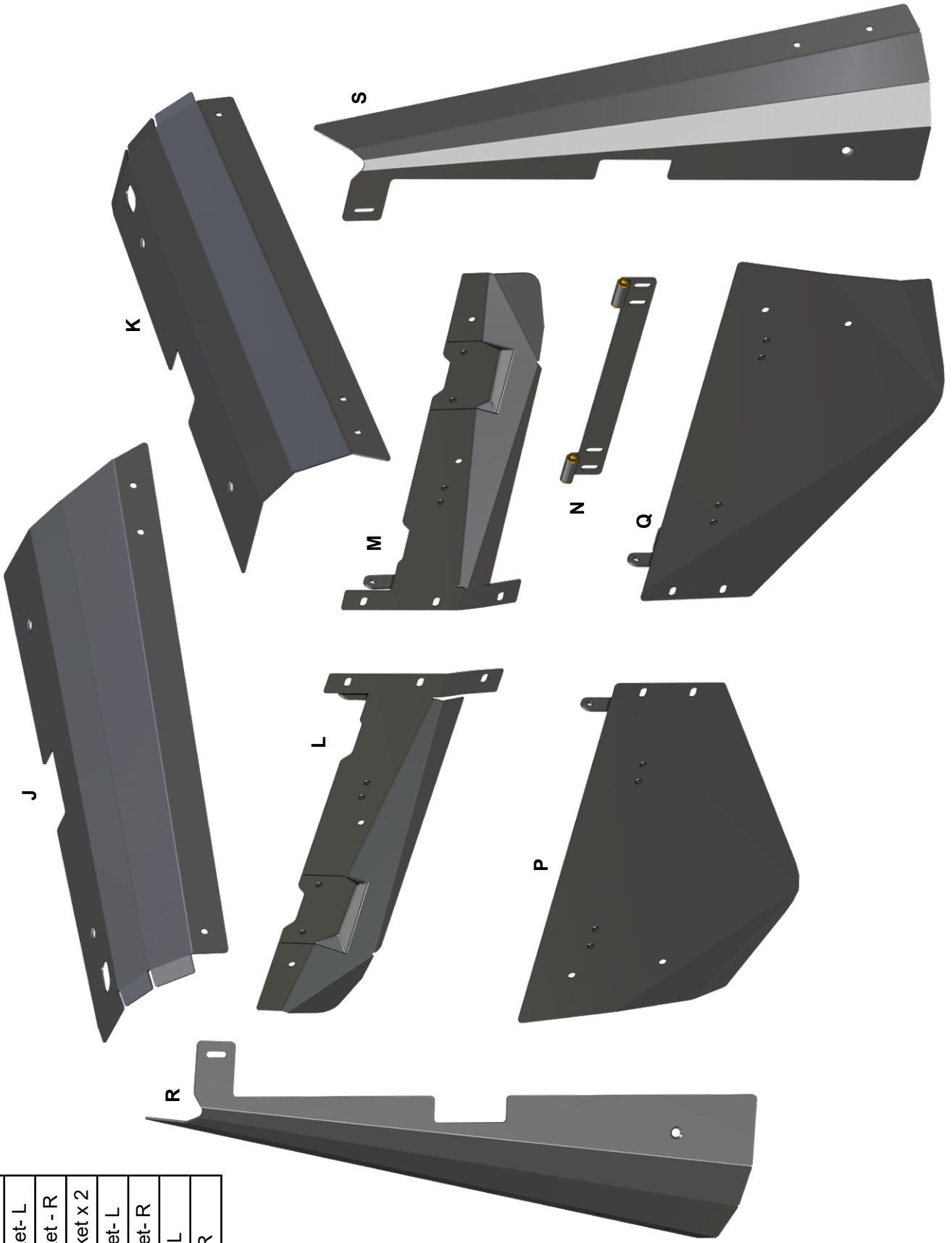


Mirrors

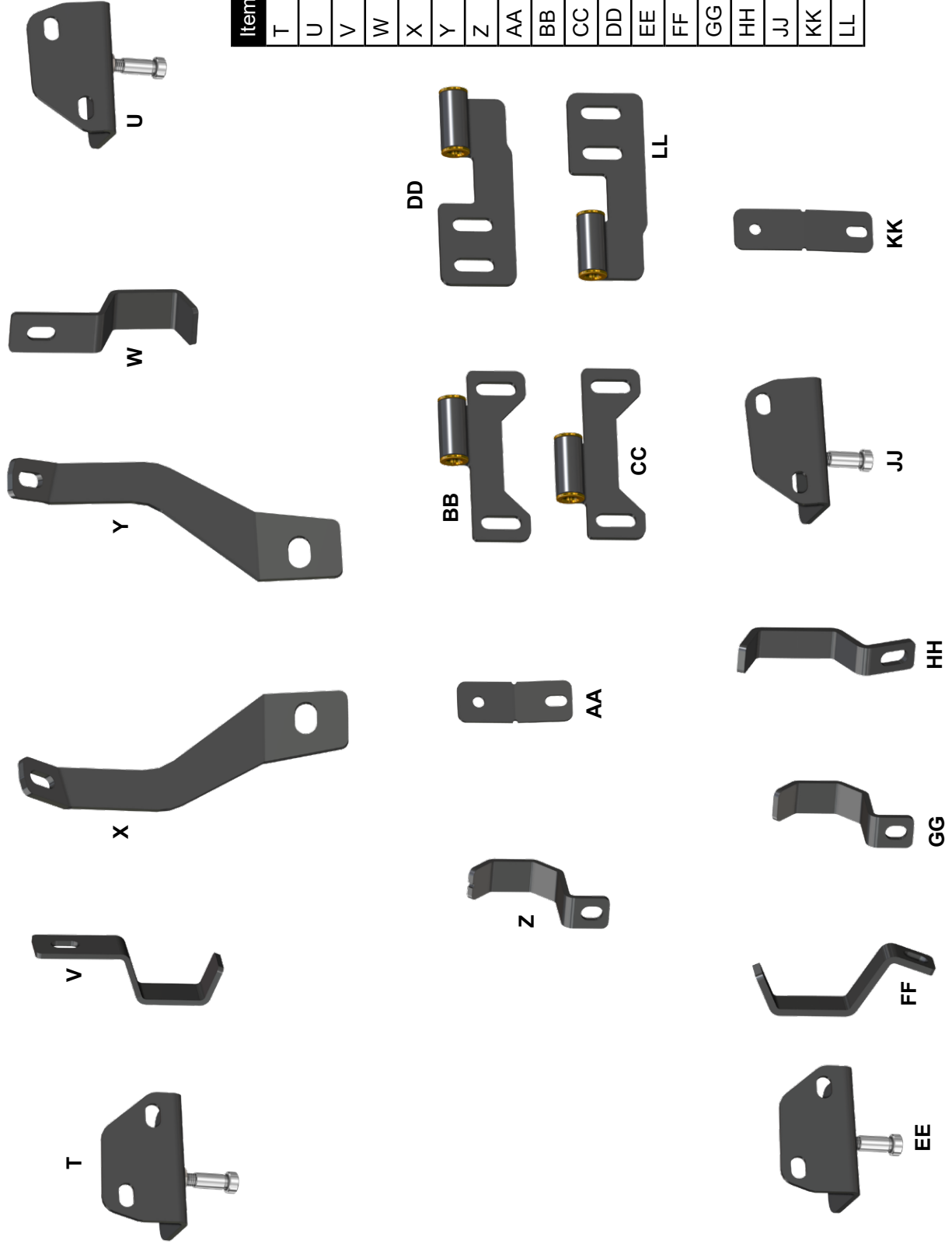


(kit contents continued)

Item	Description
J	Top Rear - L
K	Top Rear - R
L	Front Bracket- L
M	Front Bracket - R
N	Hinge Bracket x 2
P	Rear Bracket- L
Q	Rear Bracket- R
R	Top Front - L
S	Top Front- R



(kit contents continued)



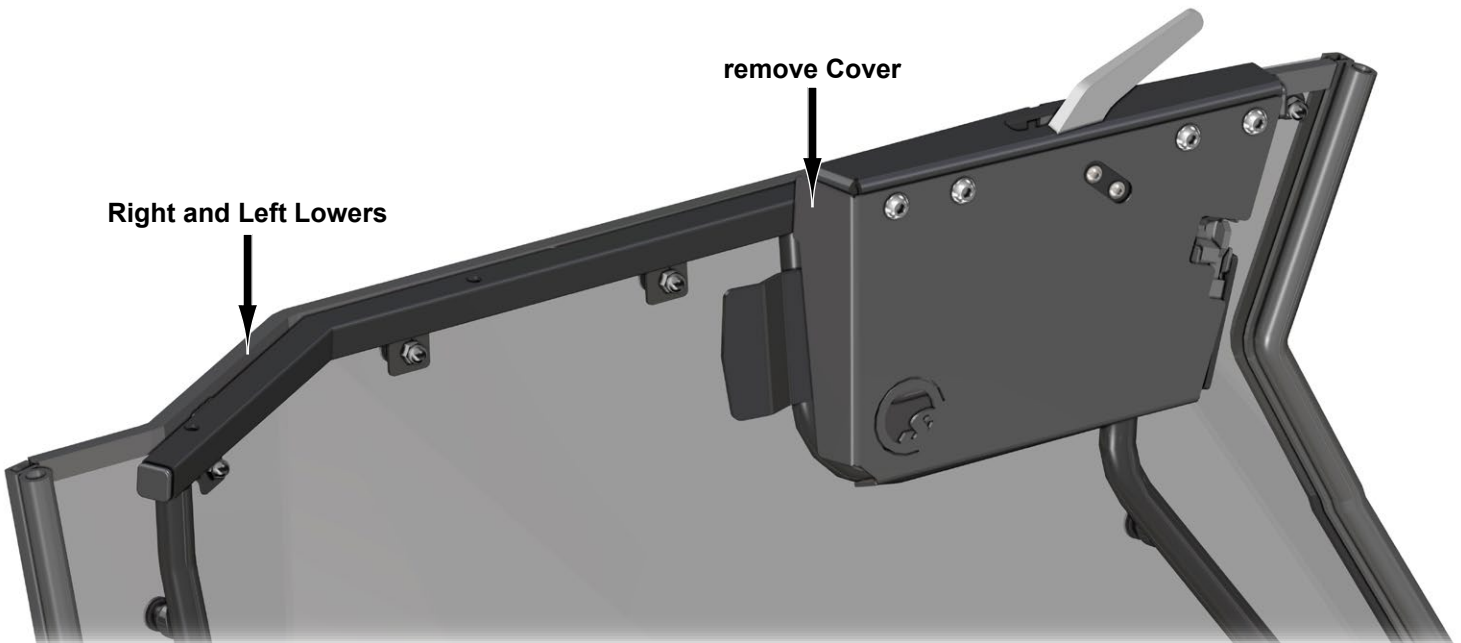
Item	Description
T	Striker - L
U	Striker - R
V	Front Bracket Top - L
W	Front Bracket Top - R
X	Mid Bracket- L
Y	Mid Bracket- R
Z	Tube Bracket x 4
AA	Front Brace x 2
BB	Lower Hinge - L
CC	Lower Hinge - R
DD	Top Hinge - R
EE	Rear Striker - L
FF	Rear Tube Bracket 1 x 2
GG	Rear Bracket Top x 4
HH	Rear Tube Bracket 2 x 2
JJ	Rear Striker - R
KK	Rear Brace x 2
LL	Top Hinge- L

driver side installation shown



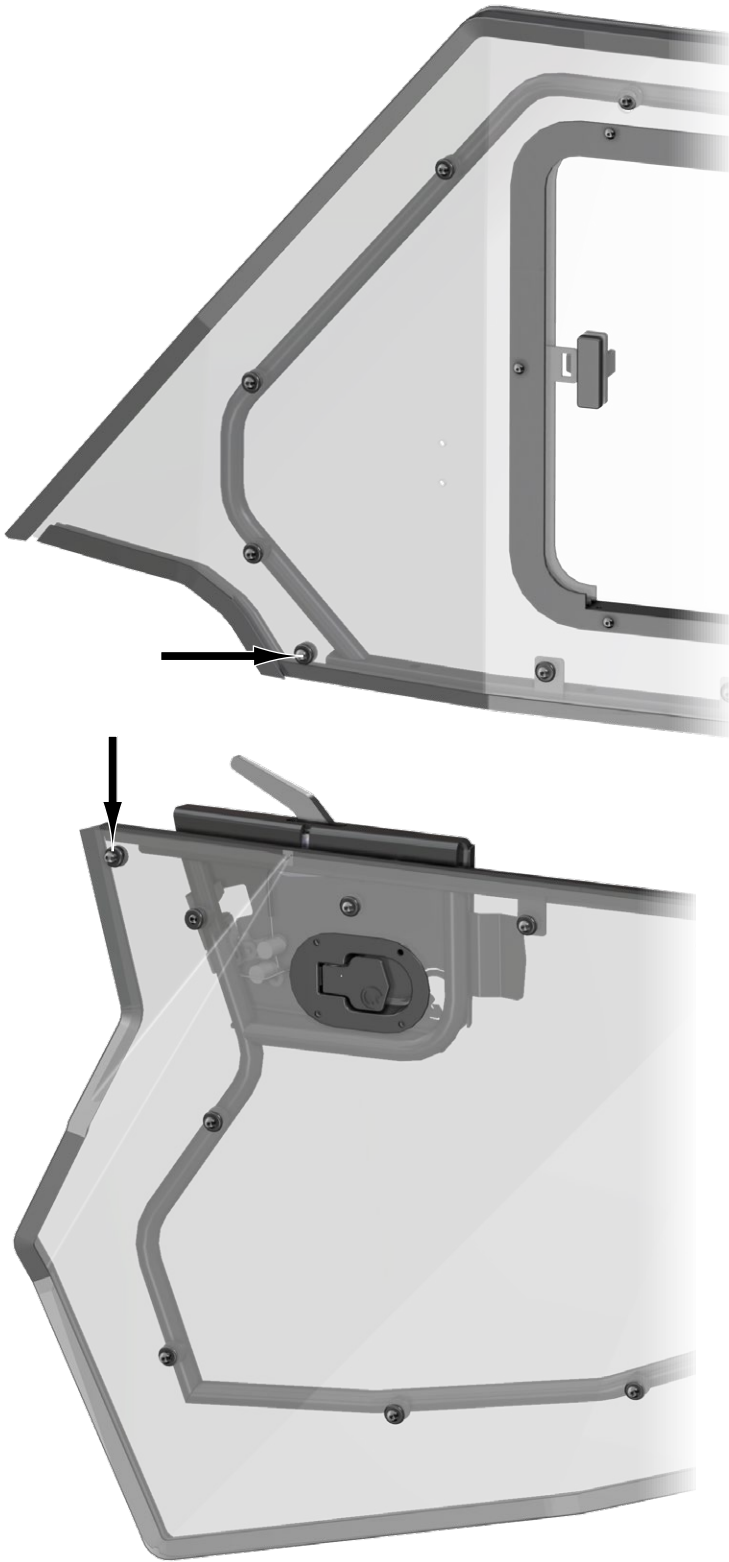


remove Front Door

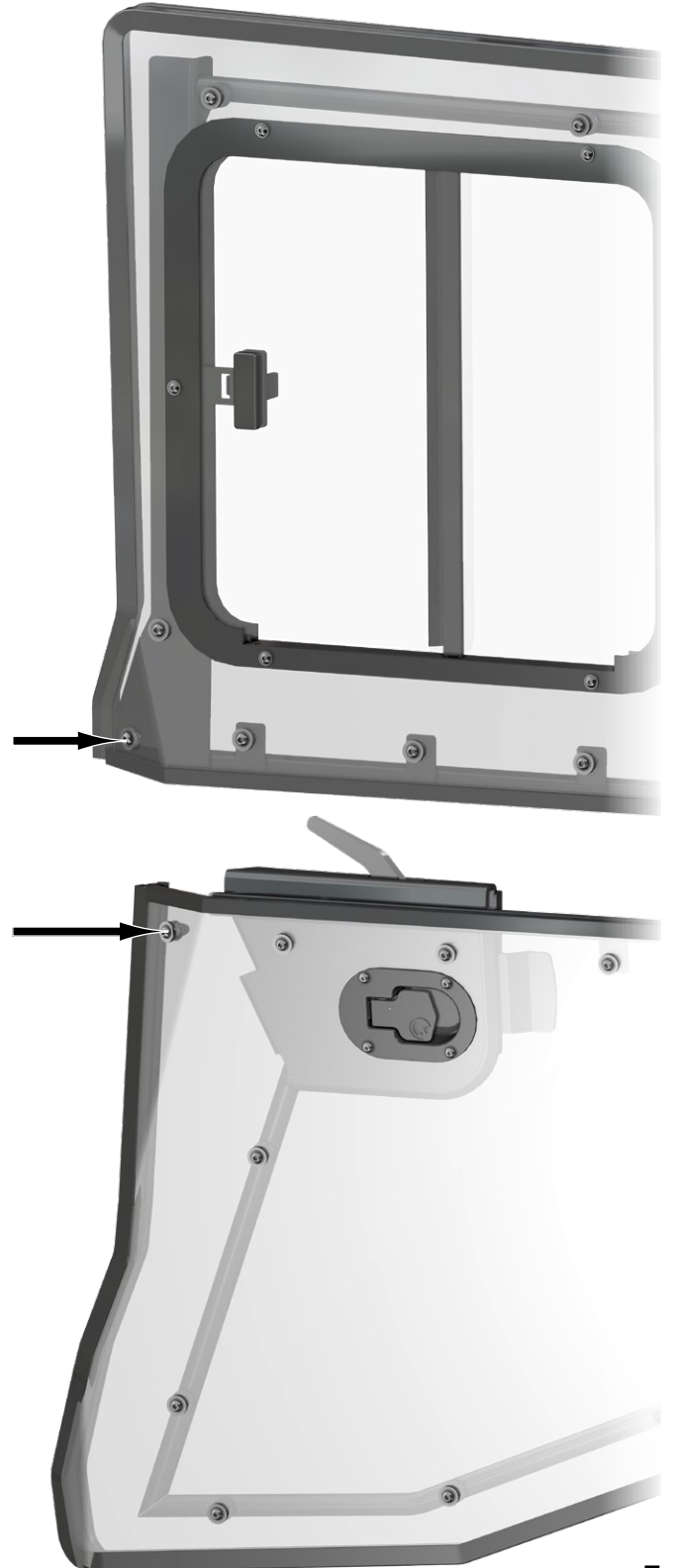


Right and Left Lowers

remove Cover

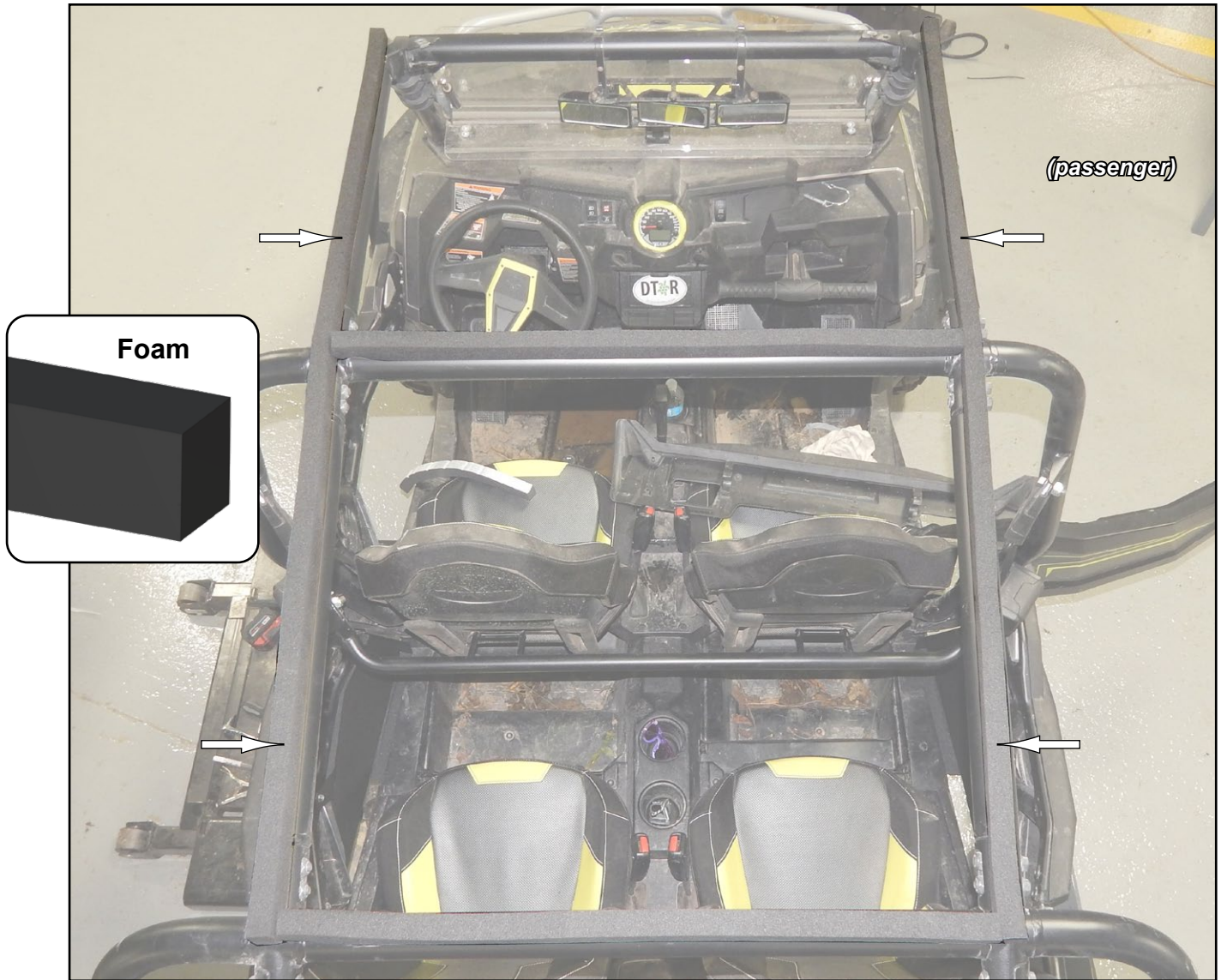


- Remove hardware shown. Do not discard.
- Repeat for right side doors.



Skip this step if SuperATV Roof was previously installed.

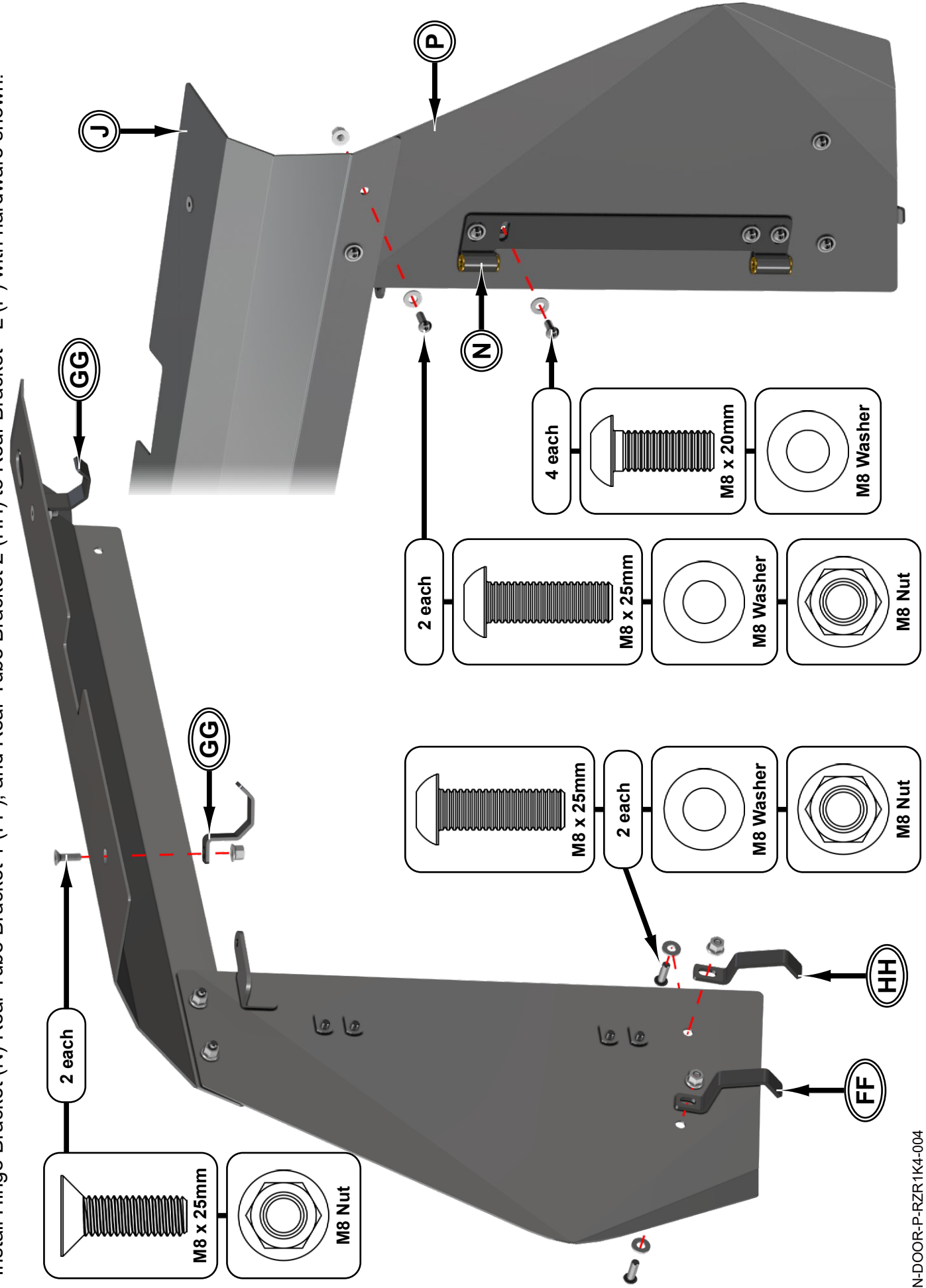
- Remove Roof and install Foam to top of Cage in locations shown.



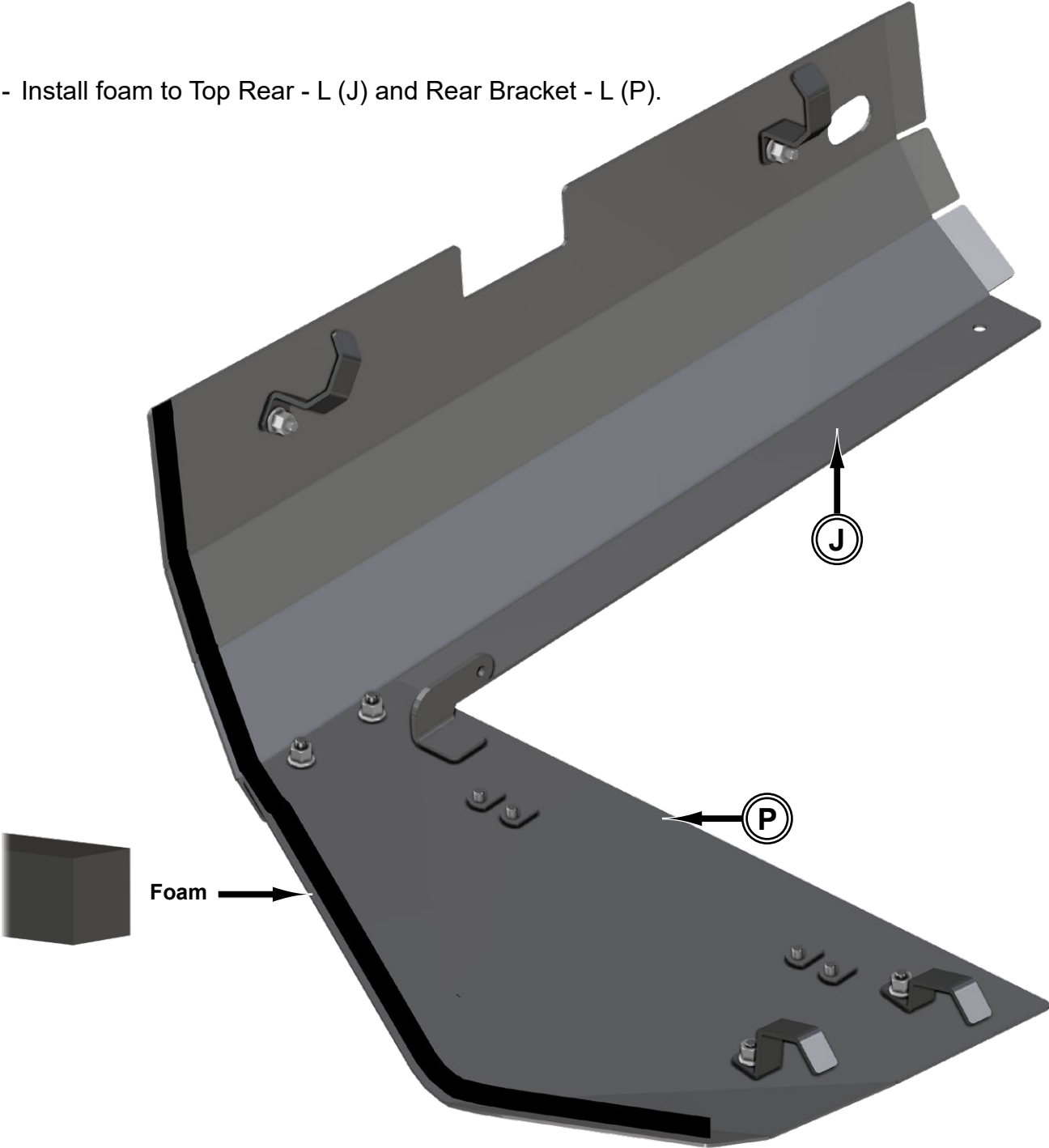
- Install Clip Nuts as shown.



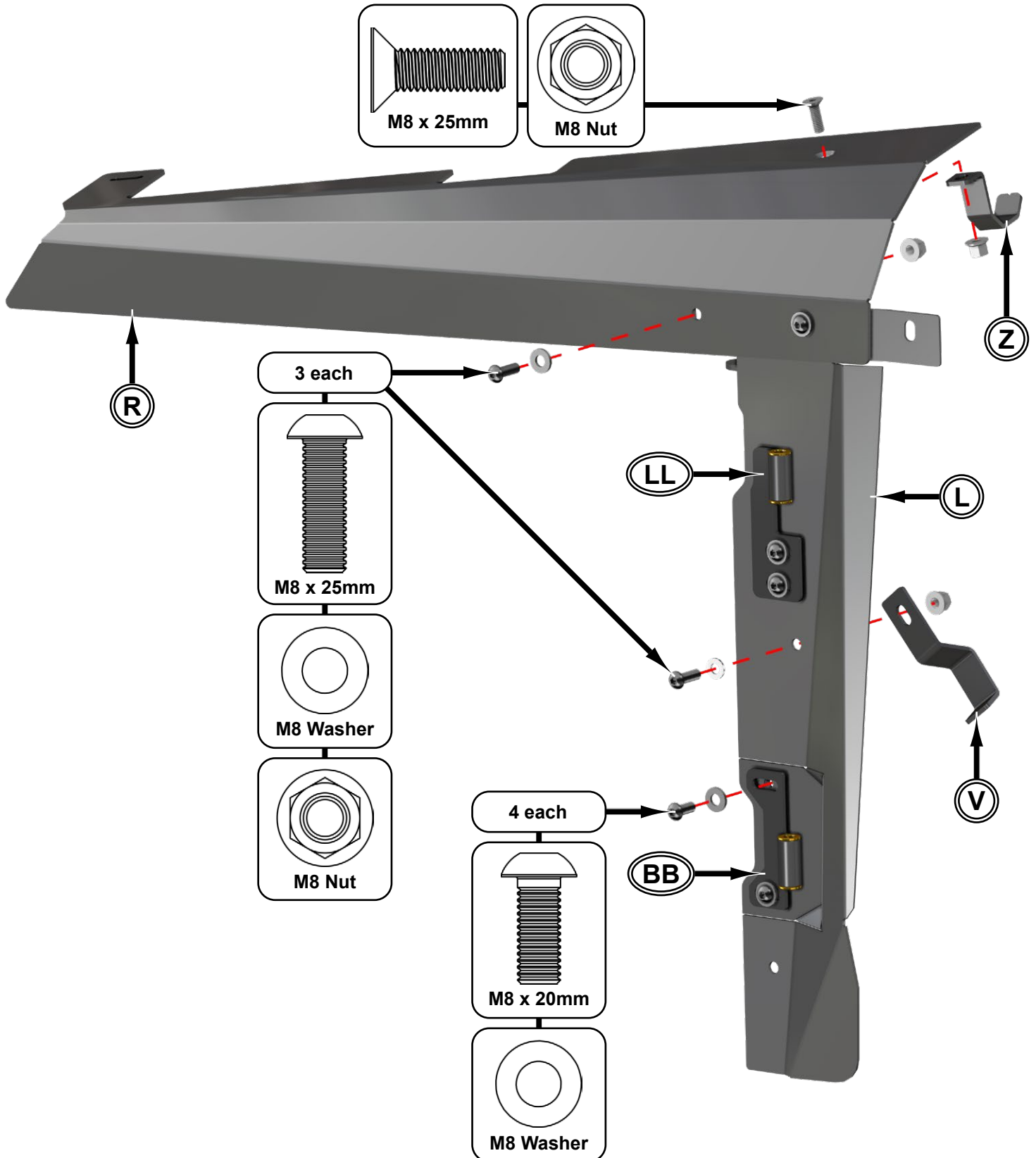
- Install Top Rear - L (J) to Rear Bracket - L (P) with hardware shown.
- Install Rear Brackets (GG) to Top Rear - L (J) with hardware shown.
- Install Hinge Bracket (N) Rear Tube Bracket 1 (FF), and Rear Tube Bracket 2 (HH) to Rear Bracket - L (P) with hardware shown.



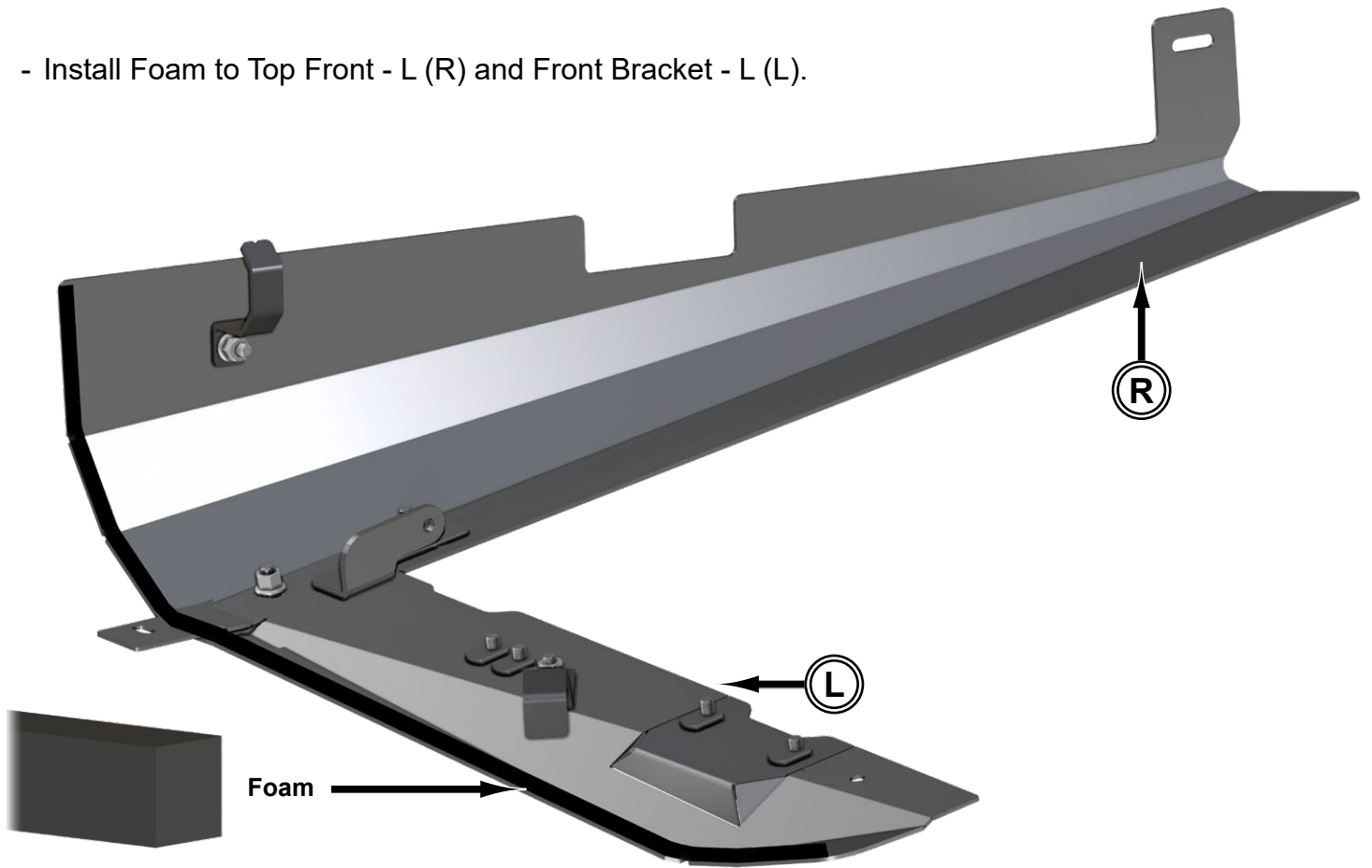
- Install foam to Top Rear - L (J) and Rear Bracket - L (P).



- Install Top Front - L (R) to Front Bracket - L (L) with hardware shown.
- Install Top Hinge - L (LL) and Lower Hinge - L (BB) to Front Bracket - L (L) with hardware shown.
- Install Front Bracket Top - L (V) to Front Bracket - L (L) with hardware shown.
- Install Tube Bracket (Z) to Top Front - L (R) with hardware shown.



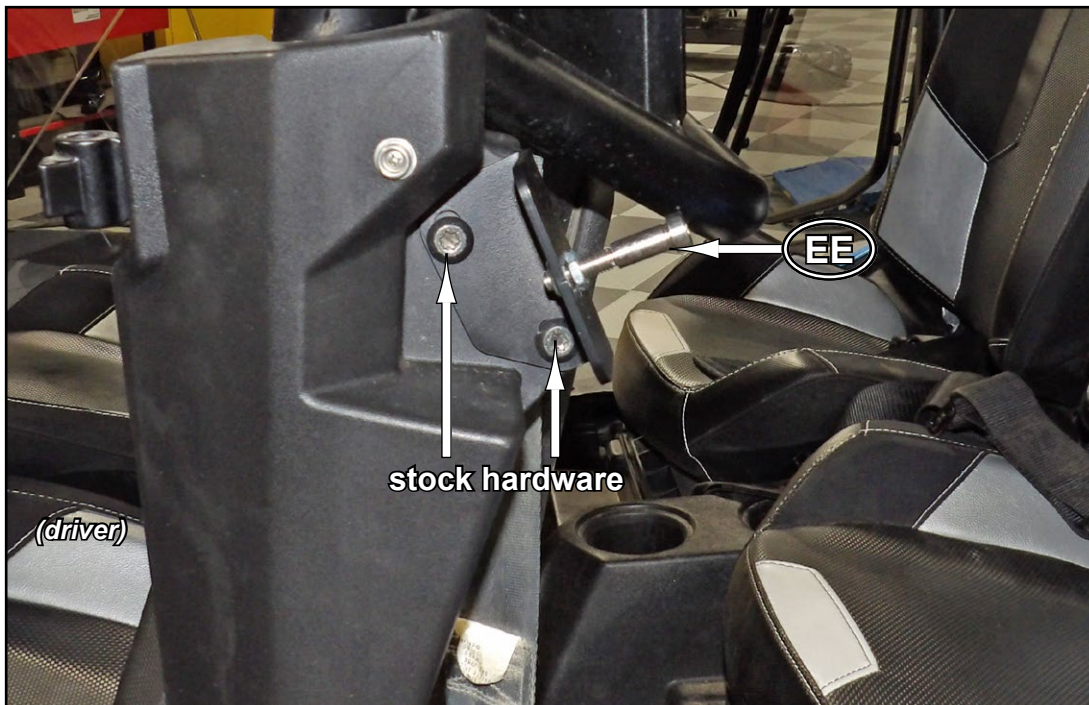
- Install Foam to Top Front - L (R) and Front Bracket - L (L).



- Replace stock Striker with Front Striker - L (T). Reuse stock plastic Shim and bolts.



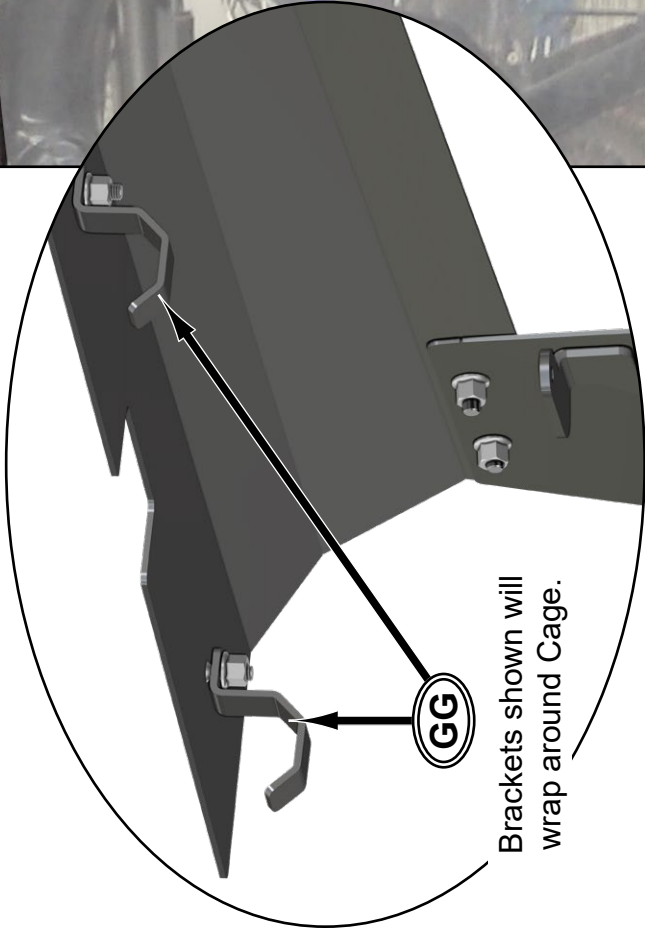
- Install Rear Striker - L (EE) with hardware shown.



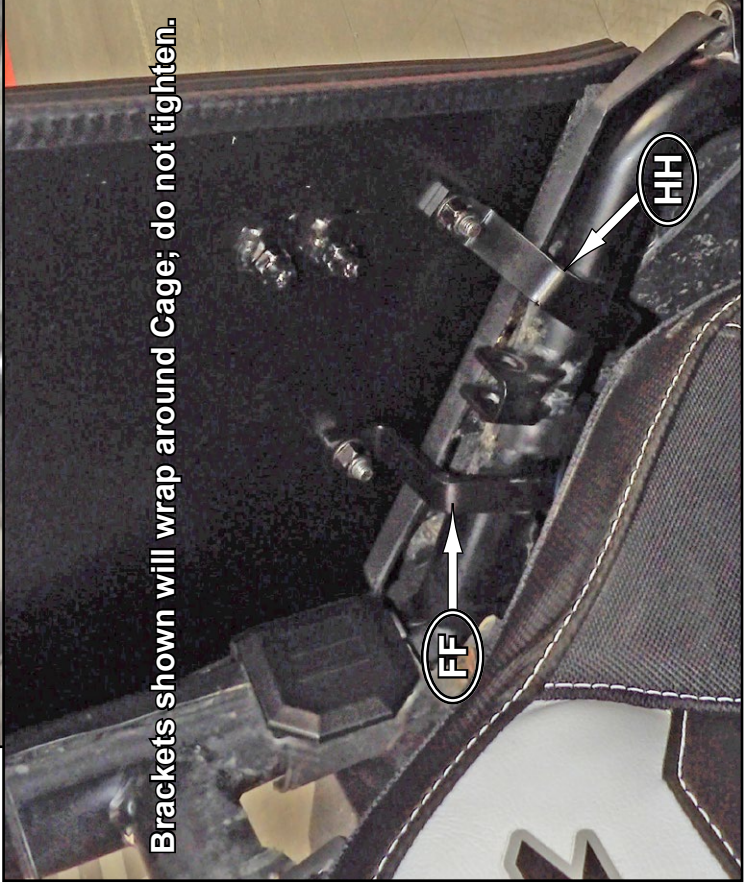
- Install Mid Bracket - L (X) with hardware shown.



- Place rear pre-assembly onto machine.

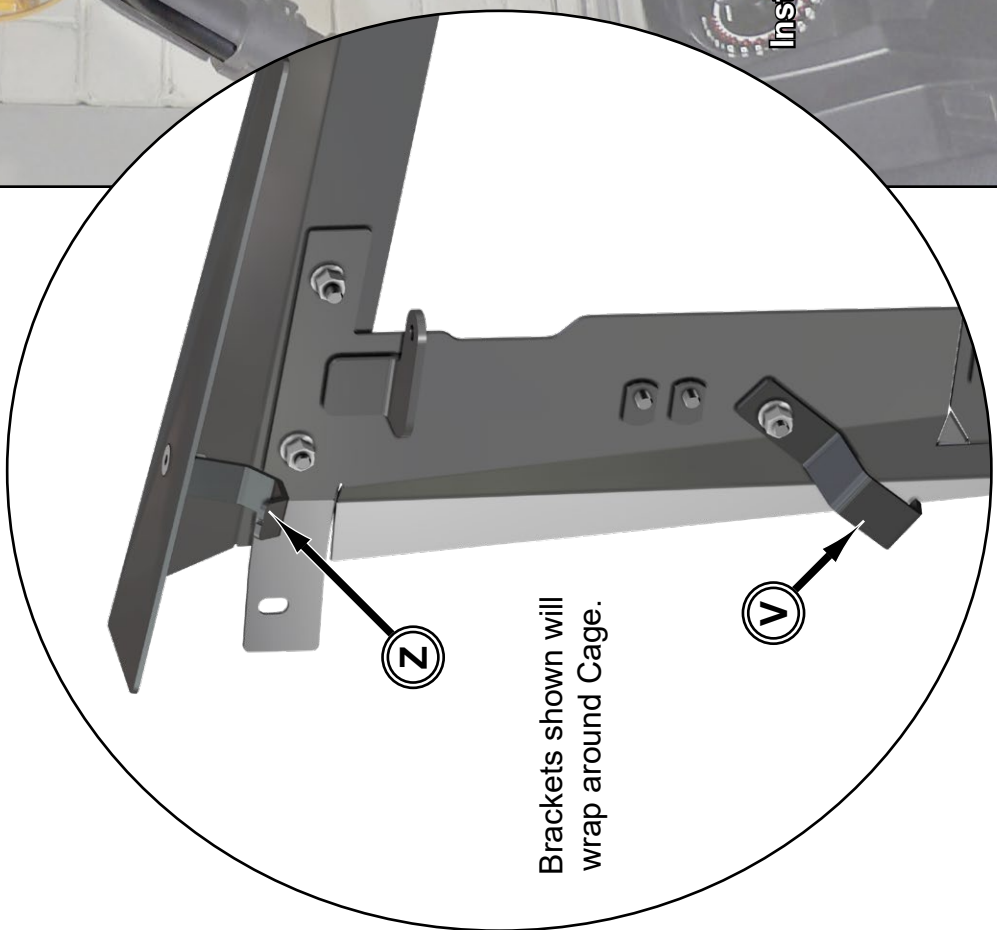
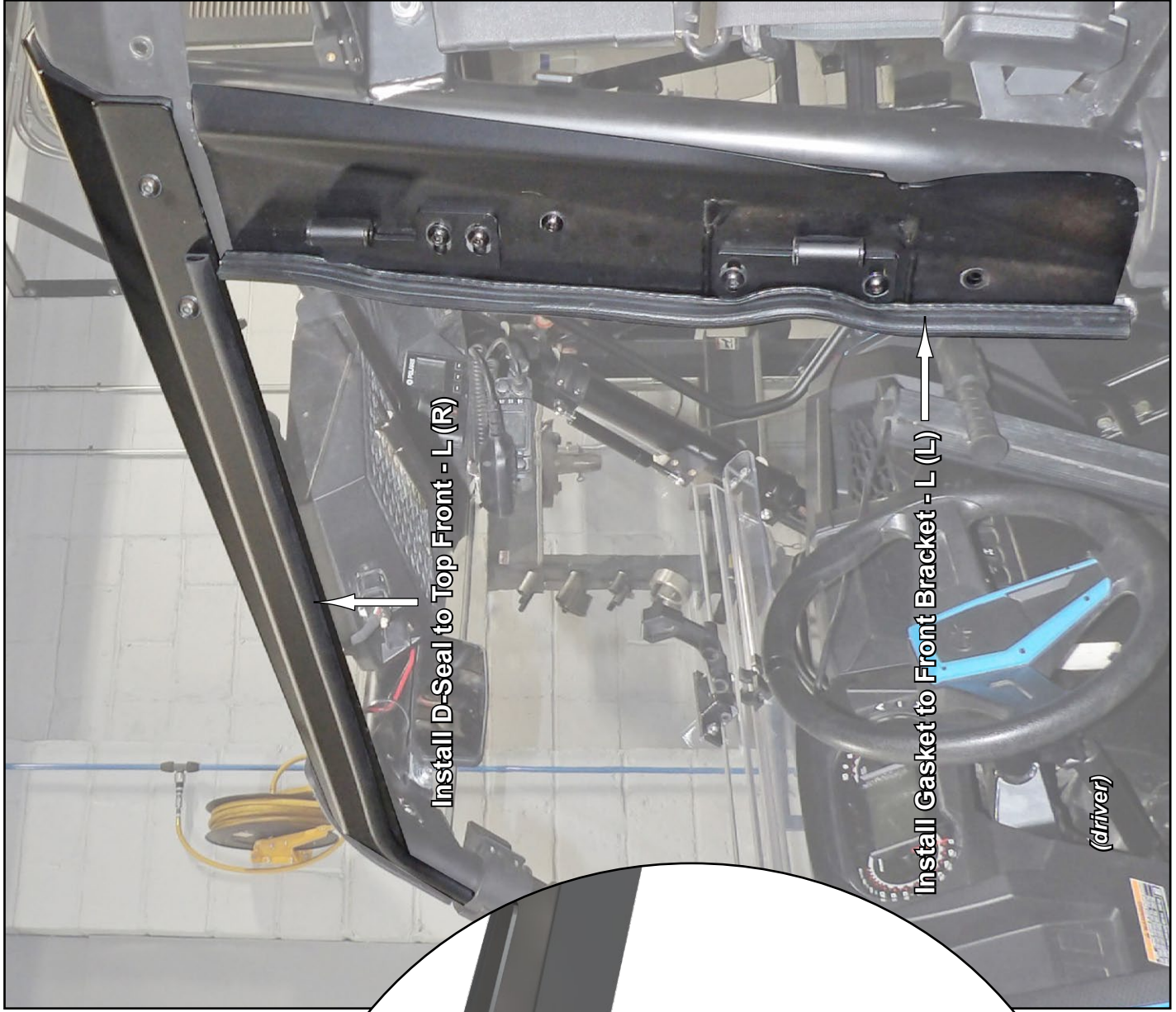


Brackets shown will wrap around Cage.



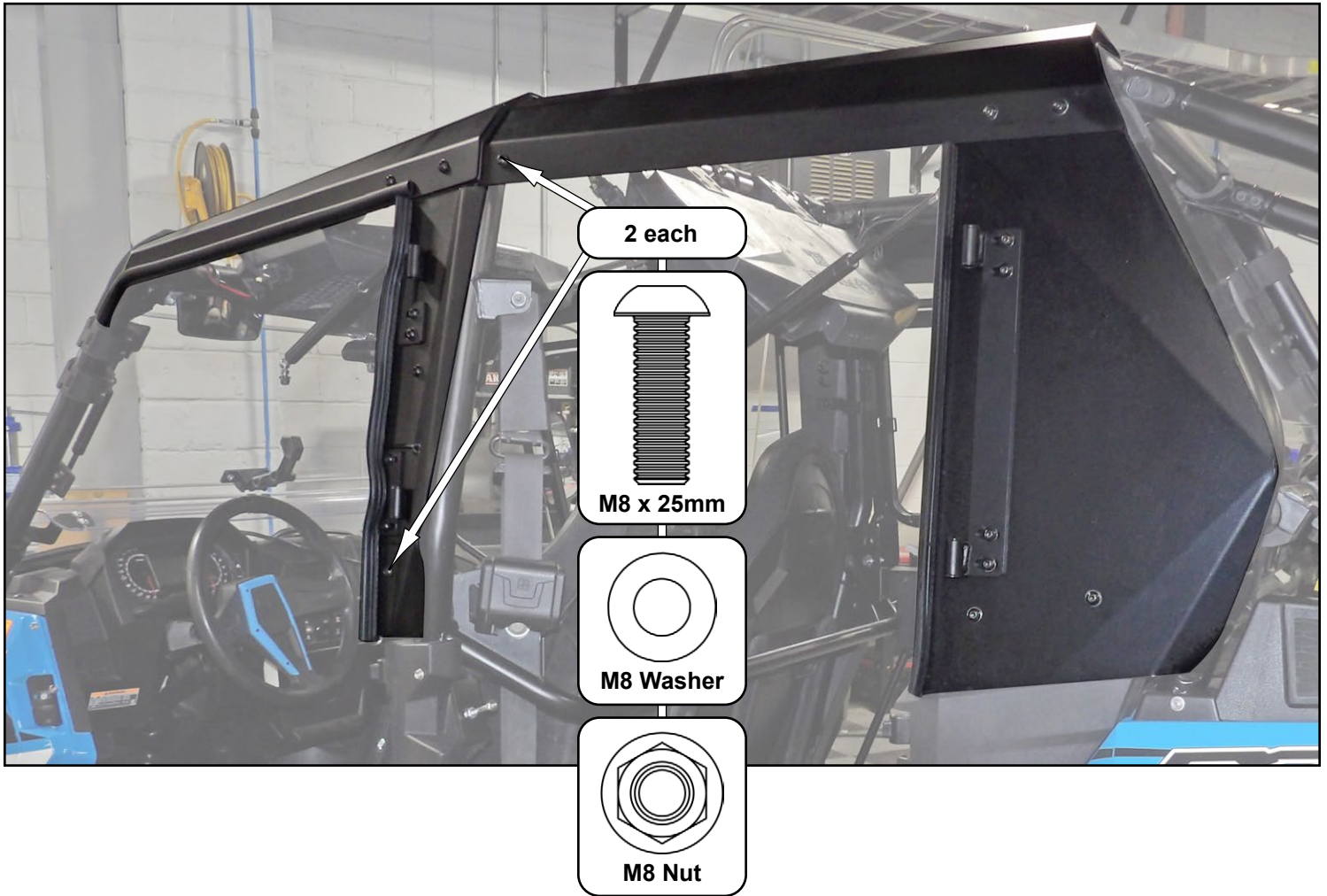
Brackets shown will wrap around Cage; do not tighten.

- Place front pre-assembly onto machine.

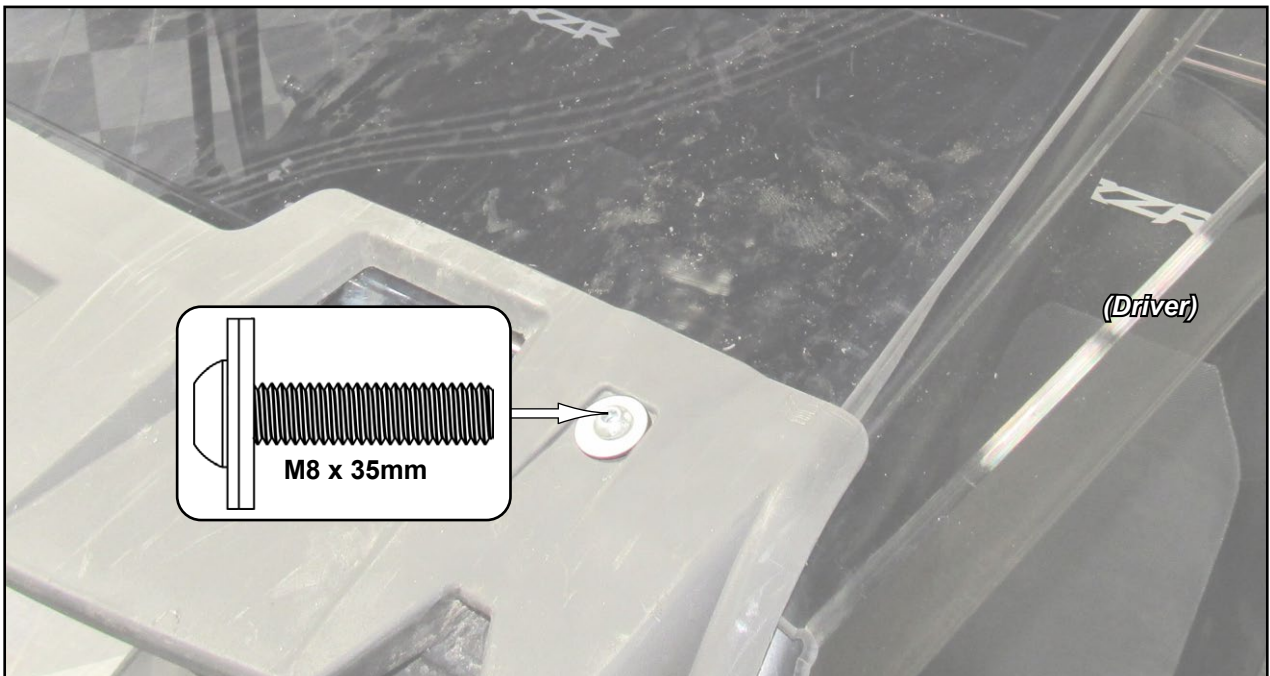


Brackets shown will wrap around Cage.

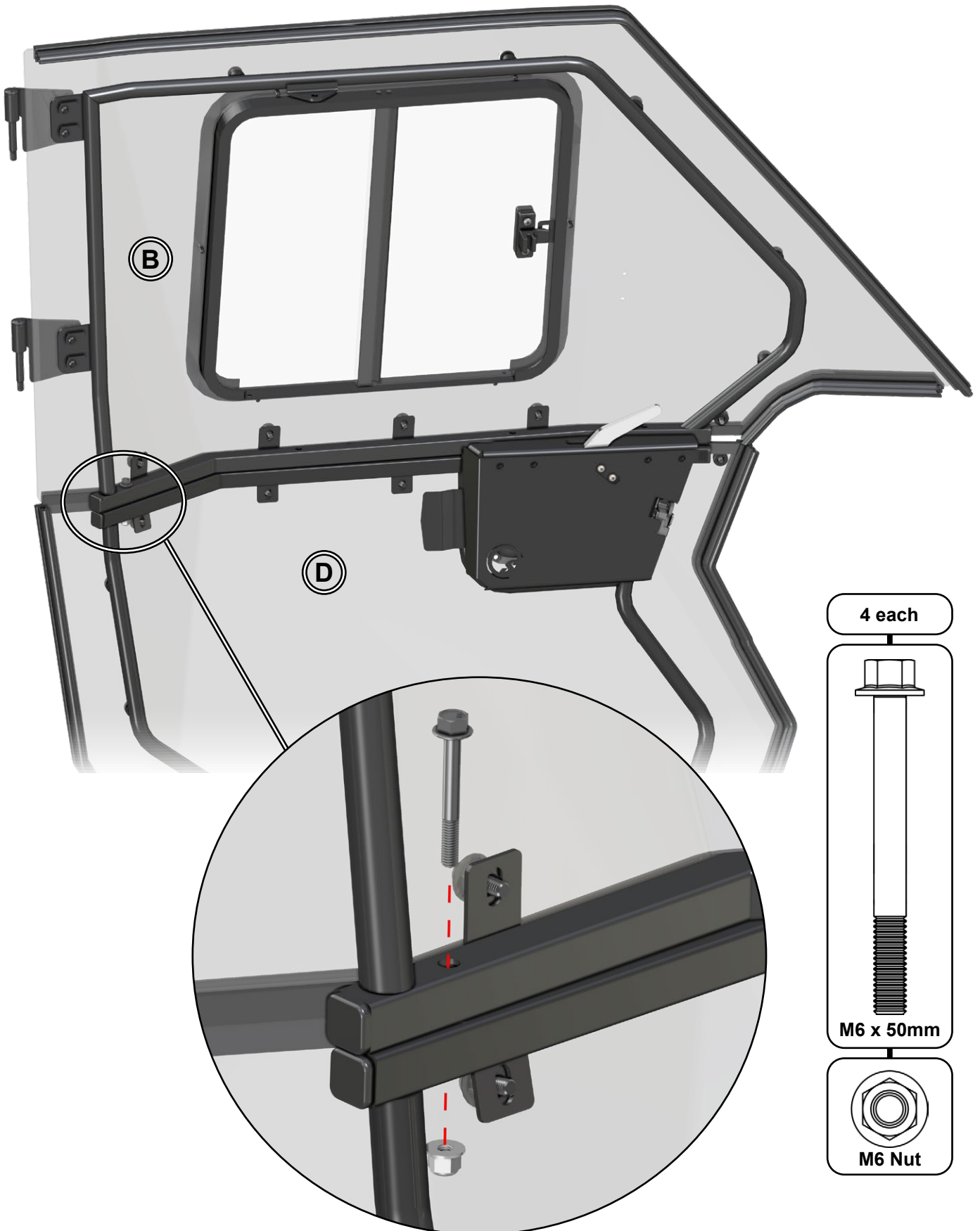
- Join rear pre-assembly to front pre-assembly with hardware shown; tighten.
- Secure Mid Bracket - L (X) to Front Bracket - L (L) with hardware shown.



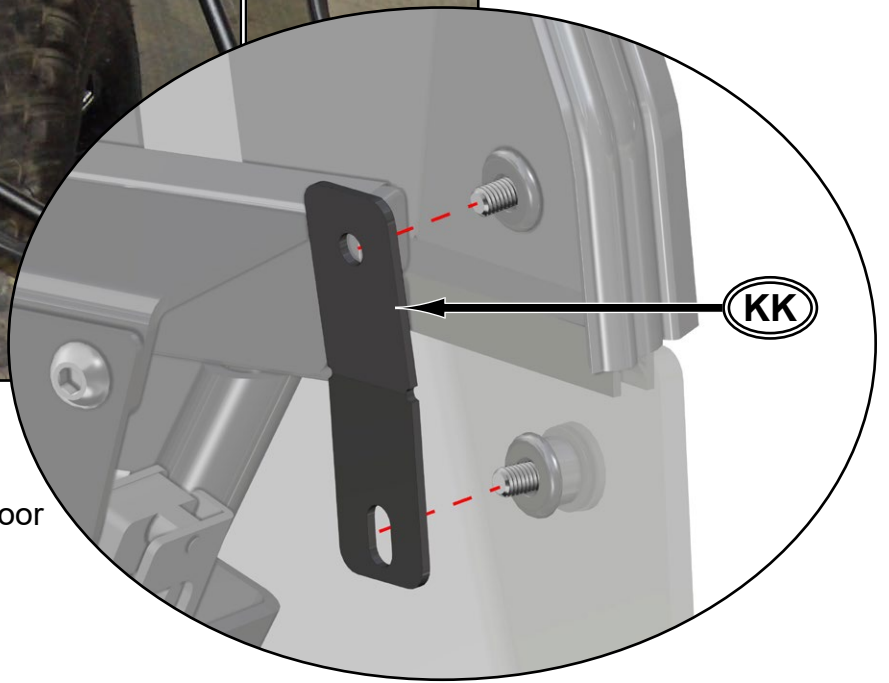
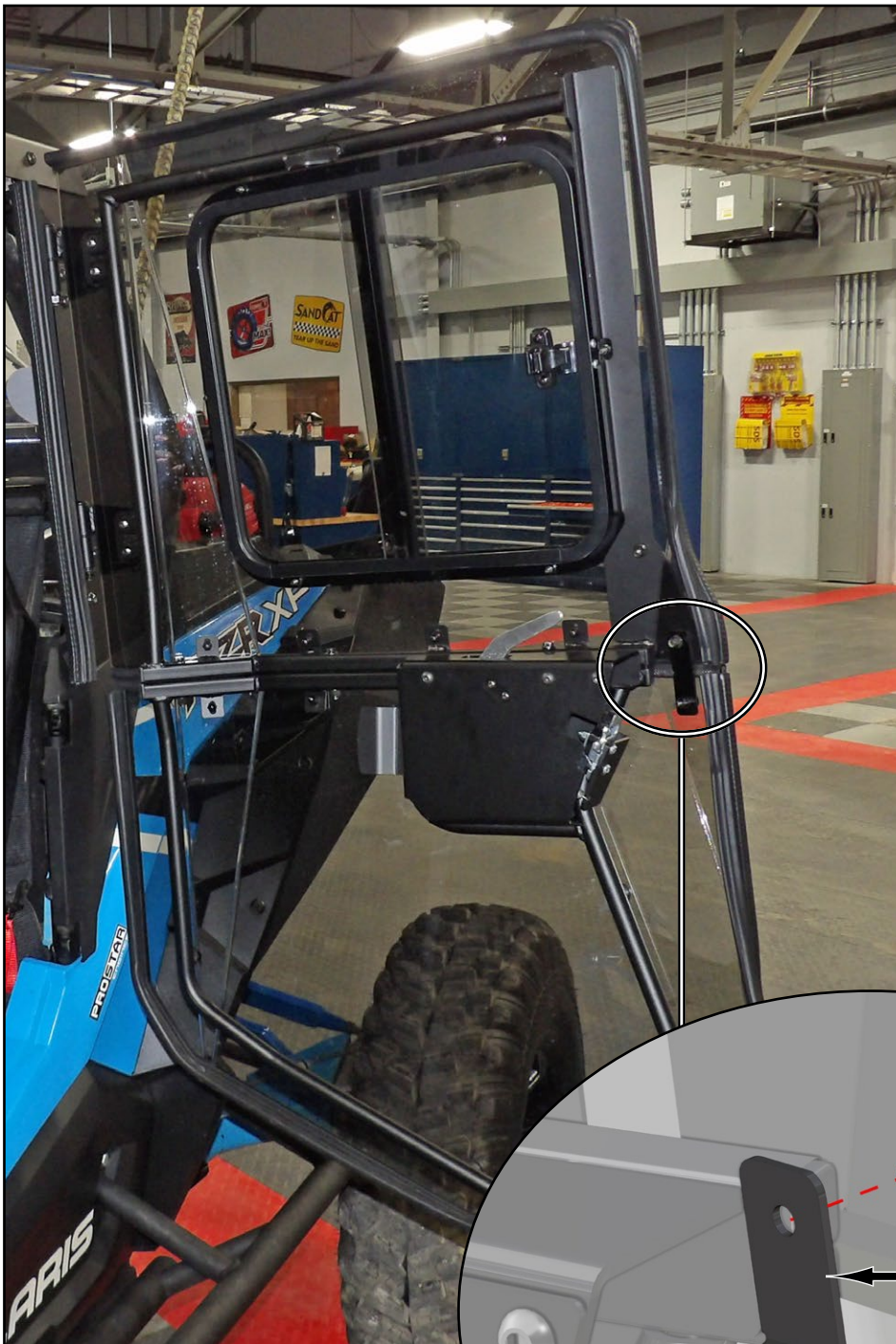
- Secure Top Front - L (R) to machine with hardware shown; do not tighten.



- Join Left Front (B) and Left Lower (D) together with hardware shown; tighten.
- Reinstall Cover; tighten.
- Repeat for Left Rear (F) to Left Rear Lower (H); tighten. *Note: only (3) sets of hardware are required.*



- Place Left Rear Door onto Hinge Bracket (N).

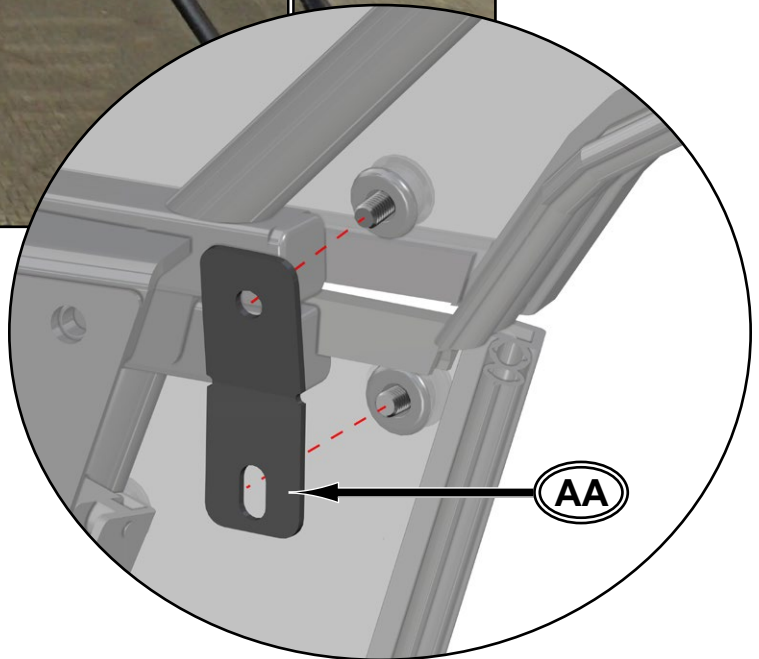


- Install Rear Brace (KK) to Left Front Door with hardware shown; tighten.

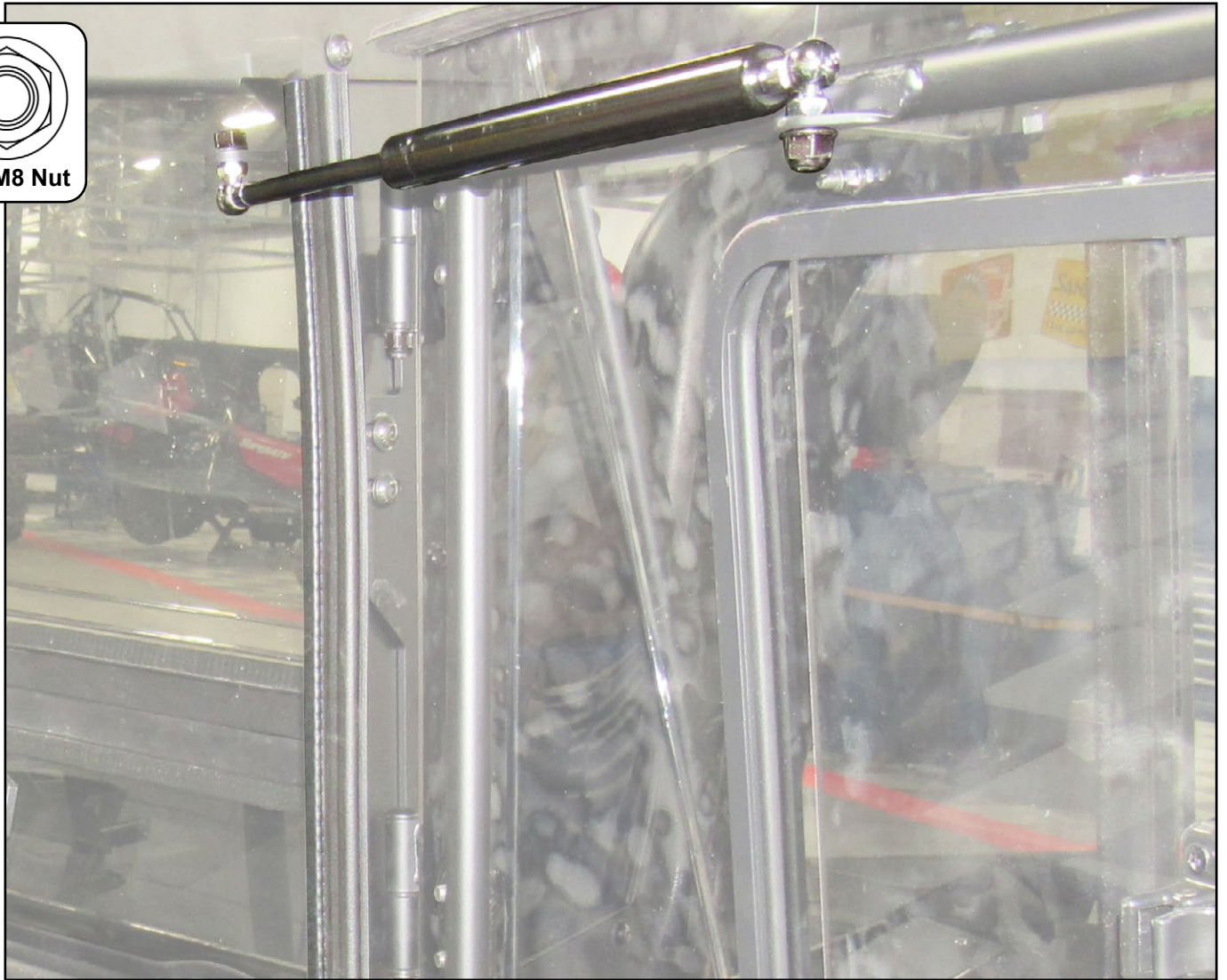
- Place Left Front Door onto Top Hinge - L (LL) and Lower Hinge - L (BB).



- Install Front Brace (AA) to Left Front Door with hardware shown; tighten.



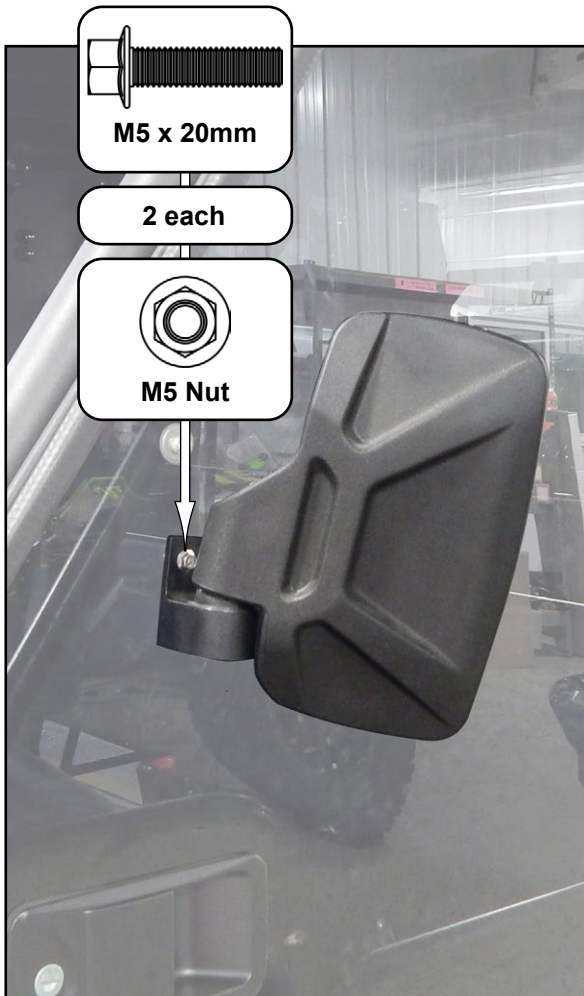
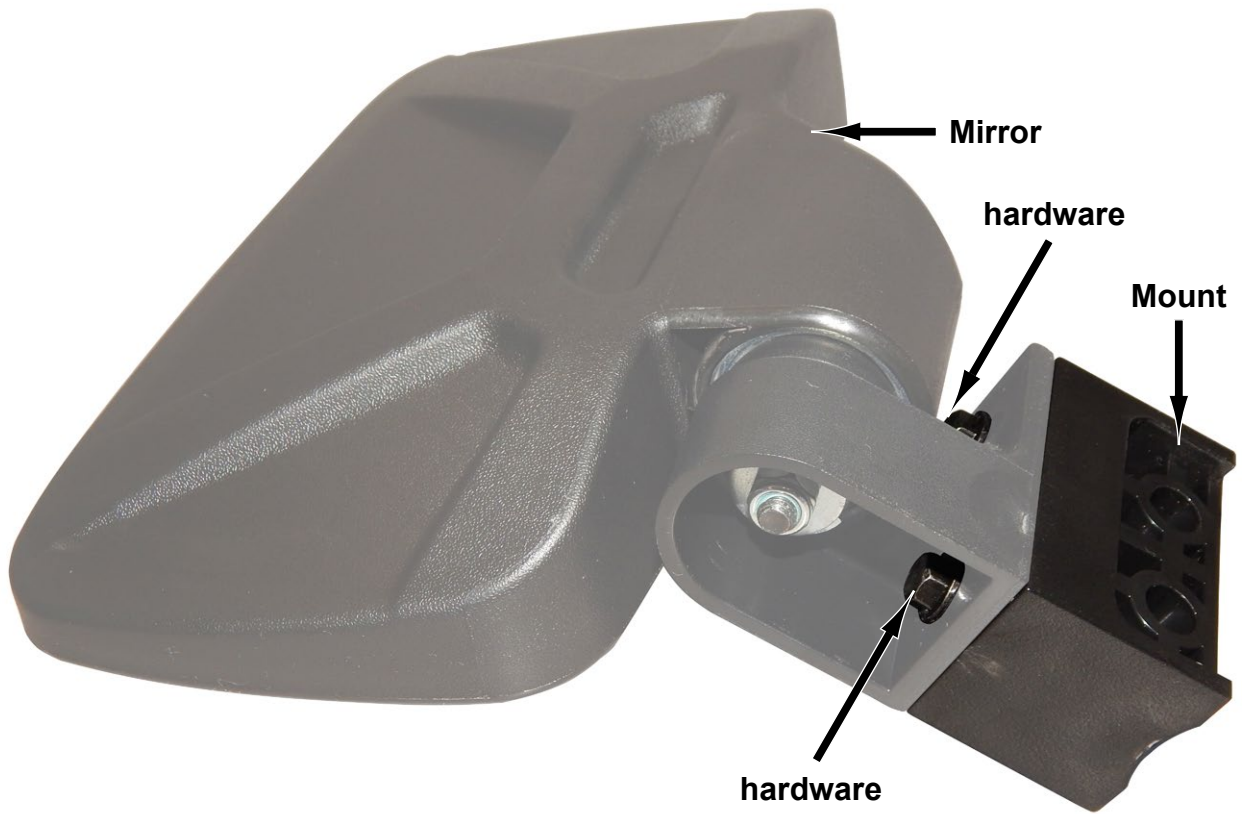
- Install Struts with hardware shown; tighten.



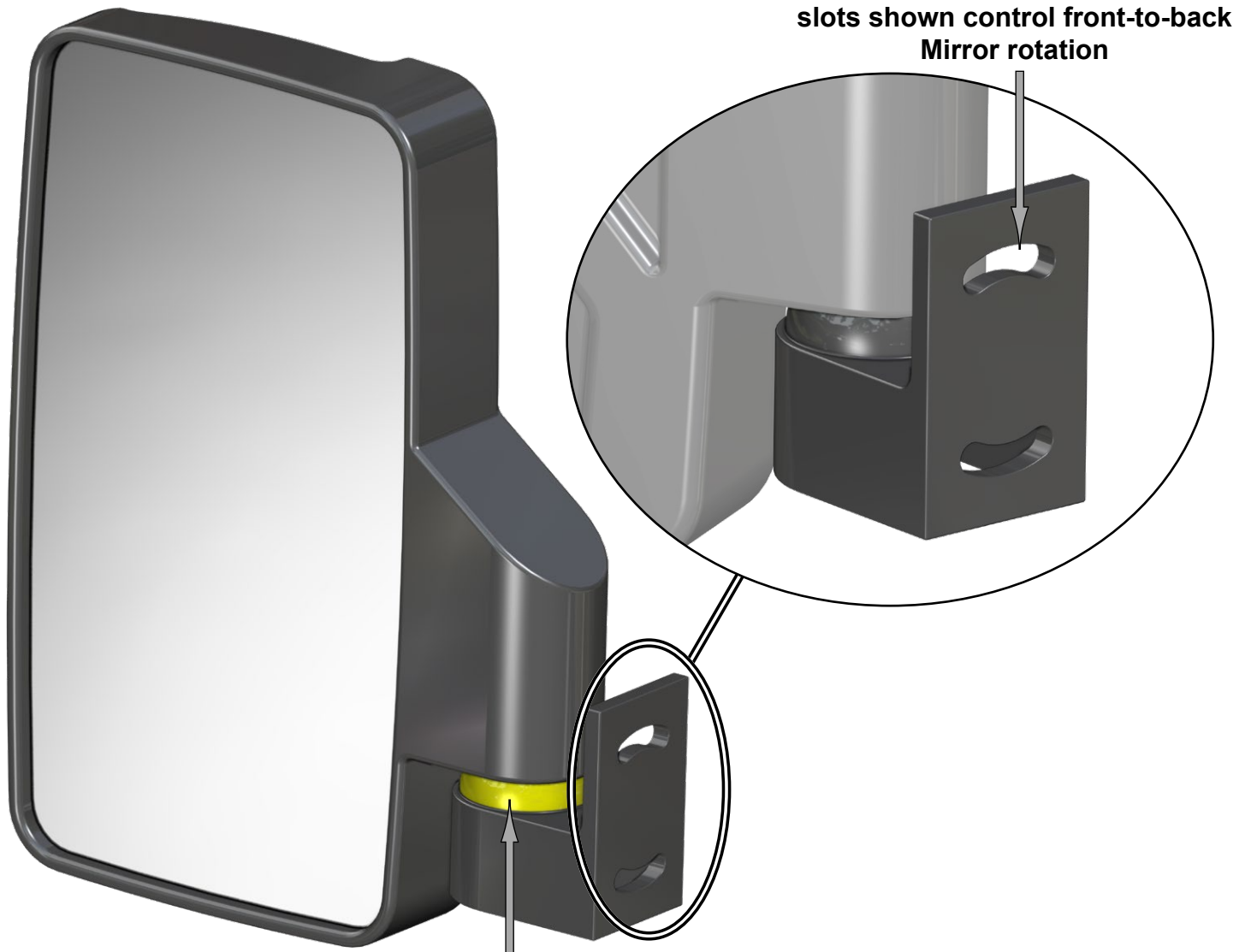
- Close Doors and engage Latches.
- Align Doors to machine and tighten all hardware.

Repeat steps for opposite side.

- Remove installed Mounts on Mirrors. Use 8mm wrench. Discard Mount and hardware.



- Install Mirrors to Doors with hardware shown.
- Tighten hardware completely.



- Mirror is spring loaded and can also be adjusted here.
- Ball will allow adjustment in various directions.

