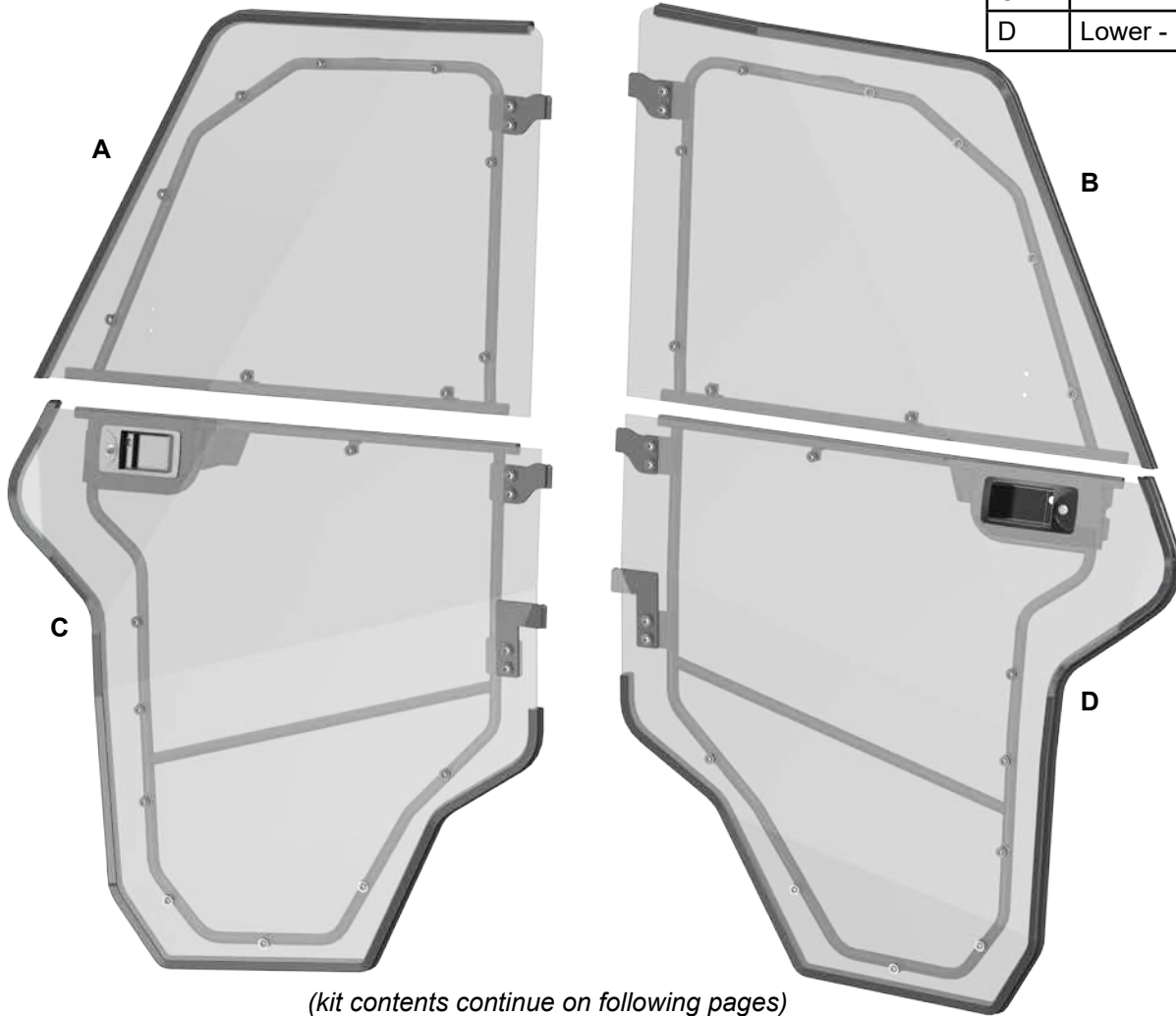


- **Make sure door handles are unlocked before installing.**
- **Do not discard packaging until product has been successfully installed.**
- **This item is not returnable if the protective film has been removed.**
- **Test fit to the cage to confirm fitment before removing film.**

Item	Description
A	Upper - D
B	Upper - P
C	Lower - D
D	Lower - P



(kit contents continue on following pages)

Door Cleaning:

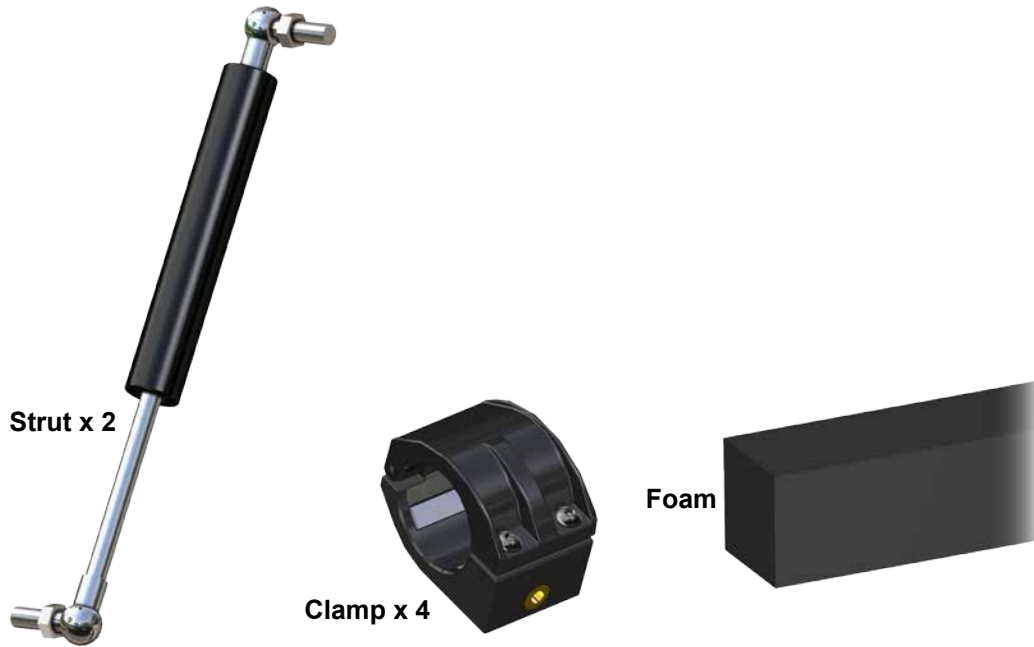
- Do not use Rain-X[®], Plexus[®] or any other protector, wax, or polish.
 - Do not use window cleaning fluids (Windex, 409, etc) or any solvents (gasoline, denatured alcohol, acetone, etc).
 - Never use abrasive cleaners, abrasive pads, or gritty cloths.
 - Never use razor blades, scrapers, squeegees, brushes, etc.
1. Thoroughly rinse Doors to float off dirt and mud.
 2. Using a soft cloth, or microfiber cloth, clean Doors with warm water and a gentle detergent. Baby shampoo, rubbing alcohol, or hand washing soap can also be used.
 3. To prevent water spots, use a chamois to blot Doors dry.

Need help with your installation?

 sales@superatv.com
  www.superatv.com
 1-855-743-3427
  8:00am - 8:00pm EST M-Th
 8:00am - 7:00pm EST Friday
 9:00am - 2:00pm EST Saturday

Read instructions and view illustrations before beginning.

*Thank You
 For Choosing*
SUPERATV.COM[®]



Liability Statement

SuperATV's® products are designed to best fit user's ATV/UTV under stock conditions. Adding, modifying, or fabricating any factory or aftermarket parts will void any warranty provided by SuperATV® and is not recommended. SuperATV's® products could interfere with other aftermarket accessories. If user has aftermarket products on machine, contact SuperATV® to verify that they will work together.

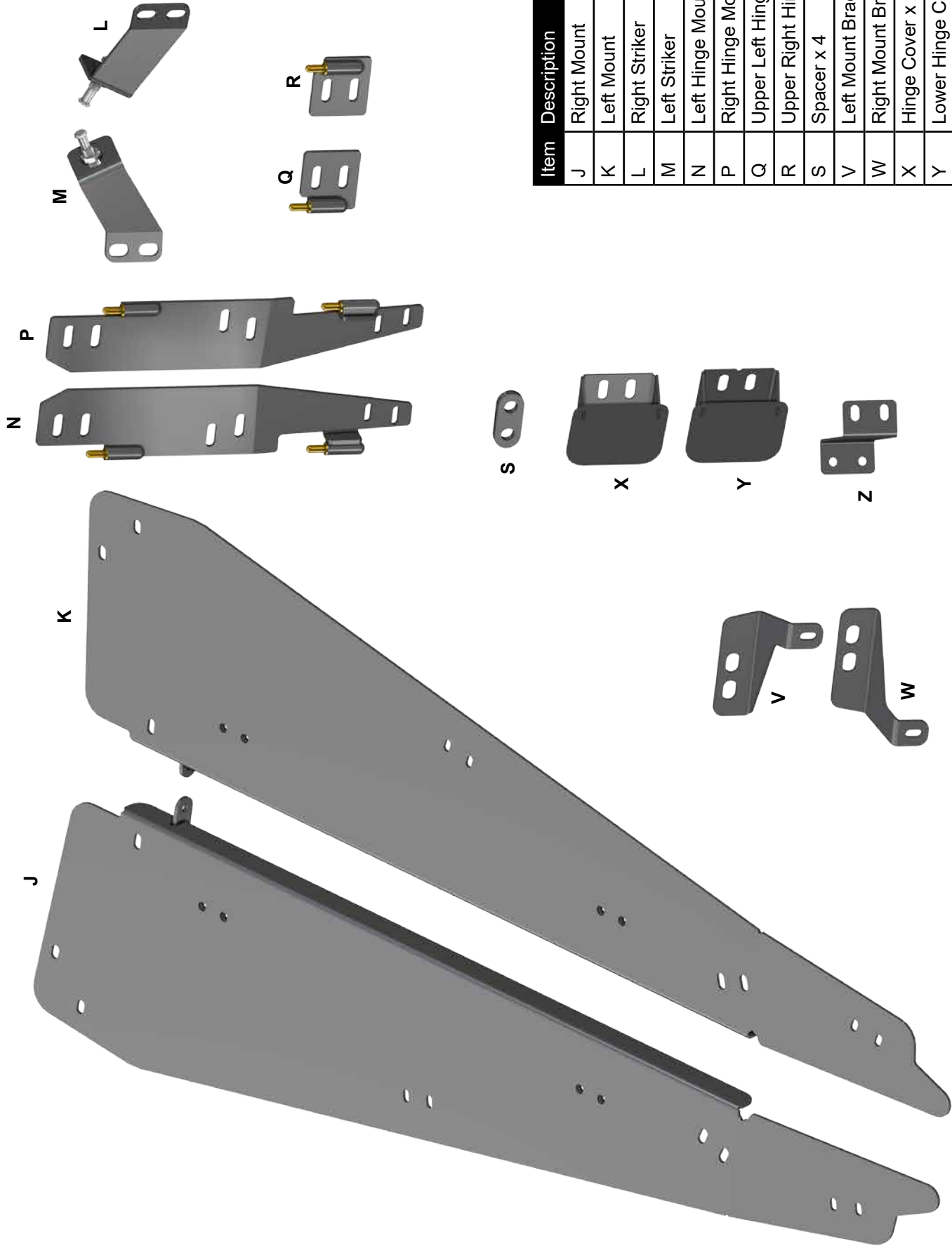
Although SuperATV® has thousands of satisfied customers, user should be aware that installing lift kits, long travel, or suspension kits, tires, etc. will change the ride of machine and may increase maintenance and part wear. Operating any off-road machine while, or after, consuming alcohol and/or drugs increases risk of bodily harm or death. No warranty or representation is made as to this product's ability to protect user from severe injury or death. SuperATV® urges operators and occupants to wear a helmet and appropriate riding gear at all times.

By purchasing and installing SuperATV® products, user agrees that should damages occur, SuperATV® will not be held responsible for loss of time, use, labor fees, replacement parts, or freight charges. SuperATV®, nor any 3rd party, will not be held responsible for any direct, indirect, incidental, special, or consequential damages that result from any product purchased from SuperATV®. The total liability of seller to user for all damages, losses, and causes of action, if any, shall not exceed the total purchase price paid for the product that gave rise to the claim.

SuperATV® will warranty only parts provided by SuperATV®. Any damage or problems with OEM housings, bearings, seals, or other manufacturers' products will not be covered by SuperATV®. SuperATV® parts and products are not warrantied if item was not installed properly, misused, or modified.

Installing, adding, modifying, or fabricating any factory or aftermarket product to your ATV/UTV may violate certain local, state, and federal laws. Be advised that laws vary depending on town, city, county, state, etc. Use of certain products on public streets, roads, or highways may be in violation law. The Buyer is solely and exclusively legally and personally responsible for any violation of the law by the installation or use of the product. You must abide by all local, state, and federal laws, including but not limited to vehicle safety, traffic laws, and ordinances. It is your responsibility to know the laws and how they apply to you.

The Buyer is responsible to fully understand the capability and limitations of his/her vehicle according to manufacturer specifications, warnings and instructions and agrees to hold SuperATV® harmless from any damage resulting from failure to adhere to such specifications, warnings and/ or instructions. The Buyer is also responsible to obey all applicable federal, state, and local laws and ordinances when operating his/her vehicle while using this product, and the Buyer agrees to hold SuperATV® harmless from any violation thereof.

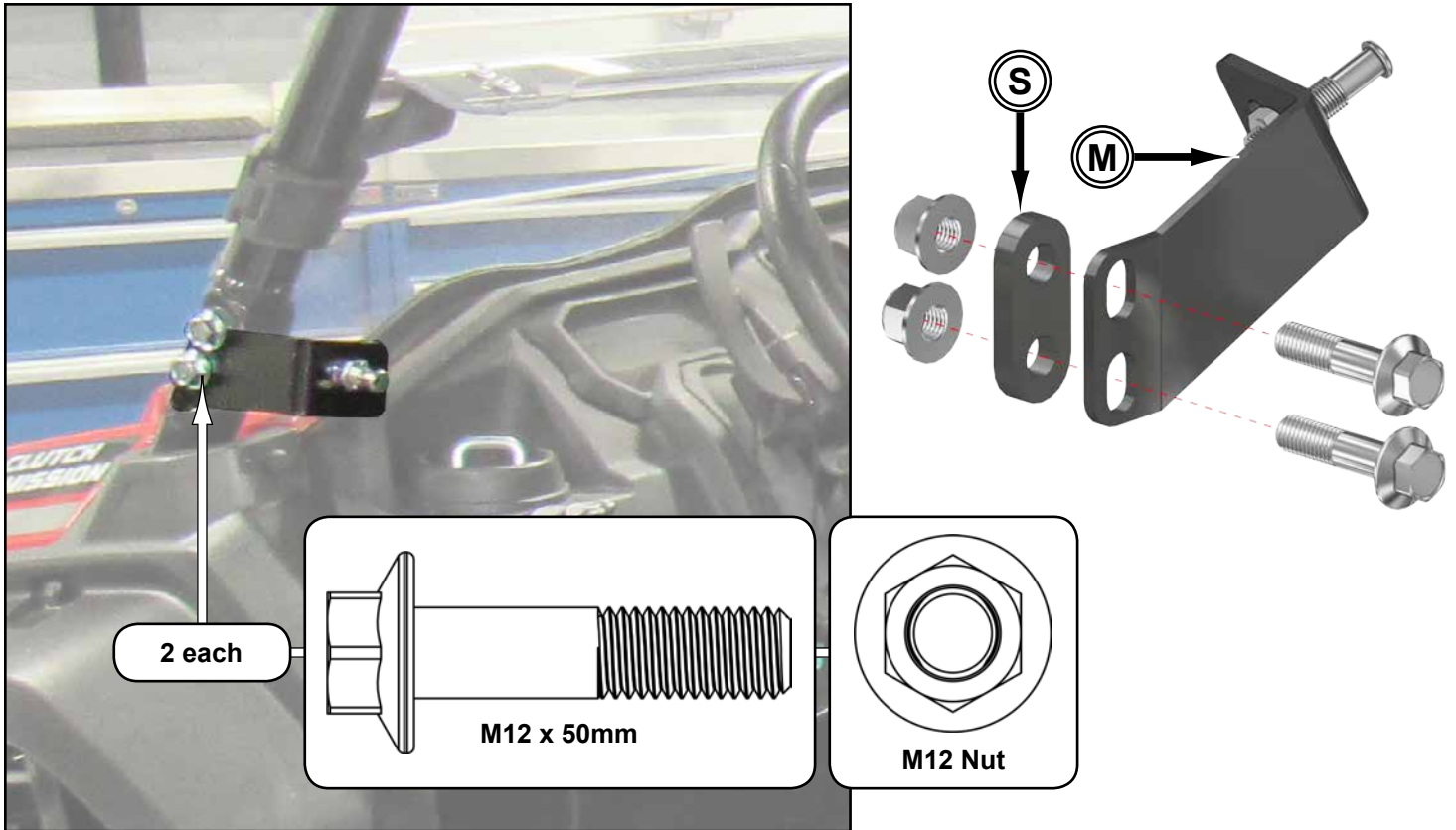


Item	Description
J	Right Mount
K	Left Mount
L	Right Striker
M	Left Striker
N	Left Hinge Mount
P	Right Hinge Mount
Q	Upper Left Hinge Mount
R	Upper Right Hinge Mount
S	Spacer x 4
V	Left Mount Bracket
W	Right Mount Bracket
X	Hinge Cover x 2
Y	Lower Hinge Cover x 2
Z	Lower Mount Bracket x 2

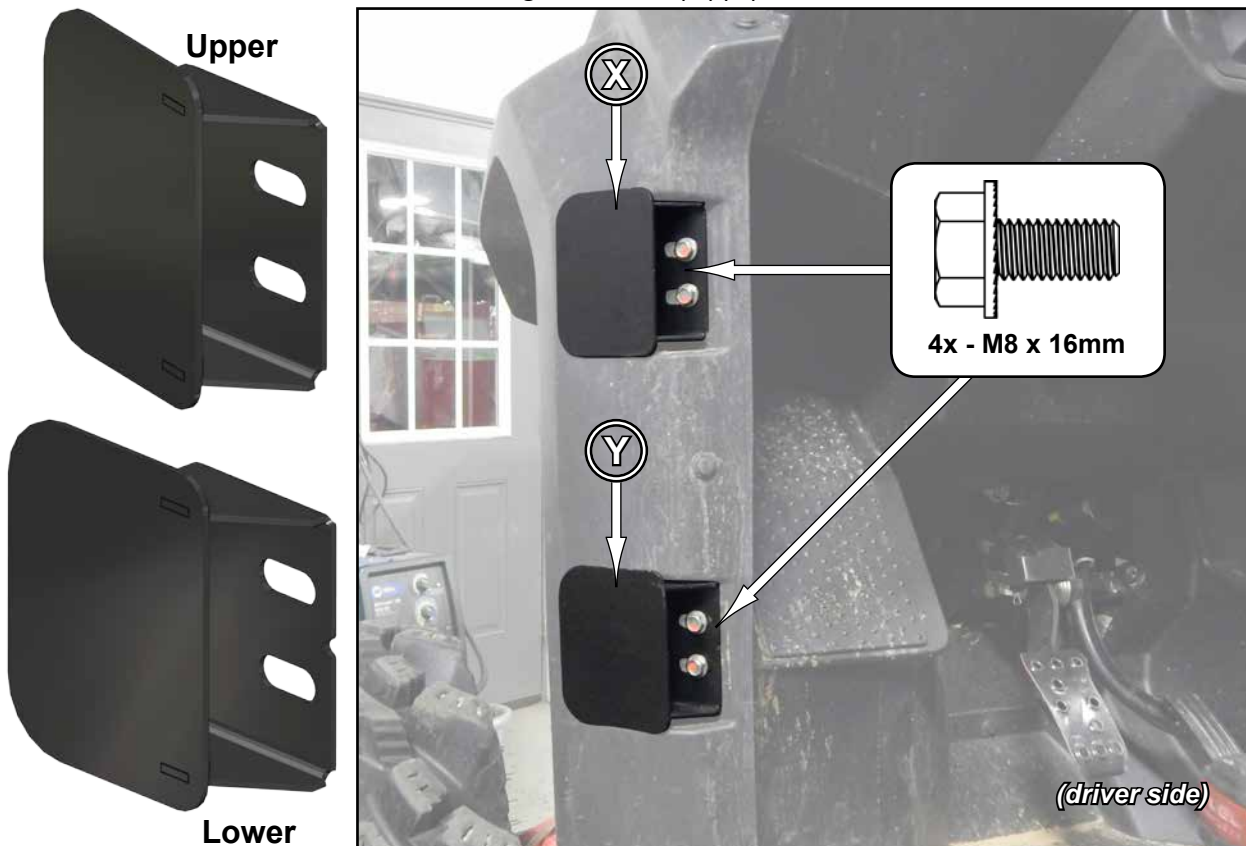


WHEN INSTALLING COMPONENTS, UNLESS NOTED, DO NOT COMPLETELY TIGHTEN HARDWARE

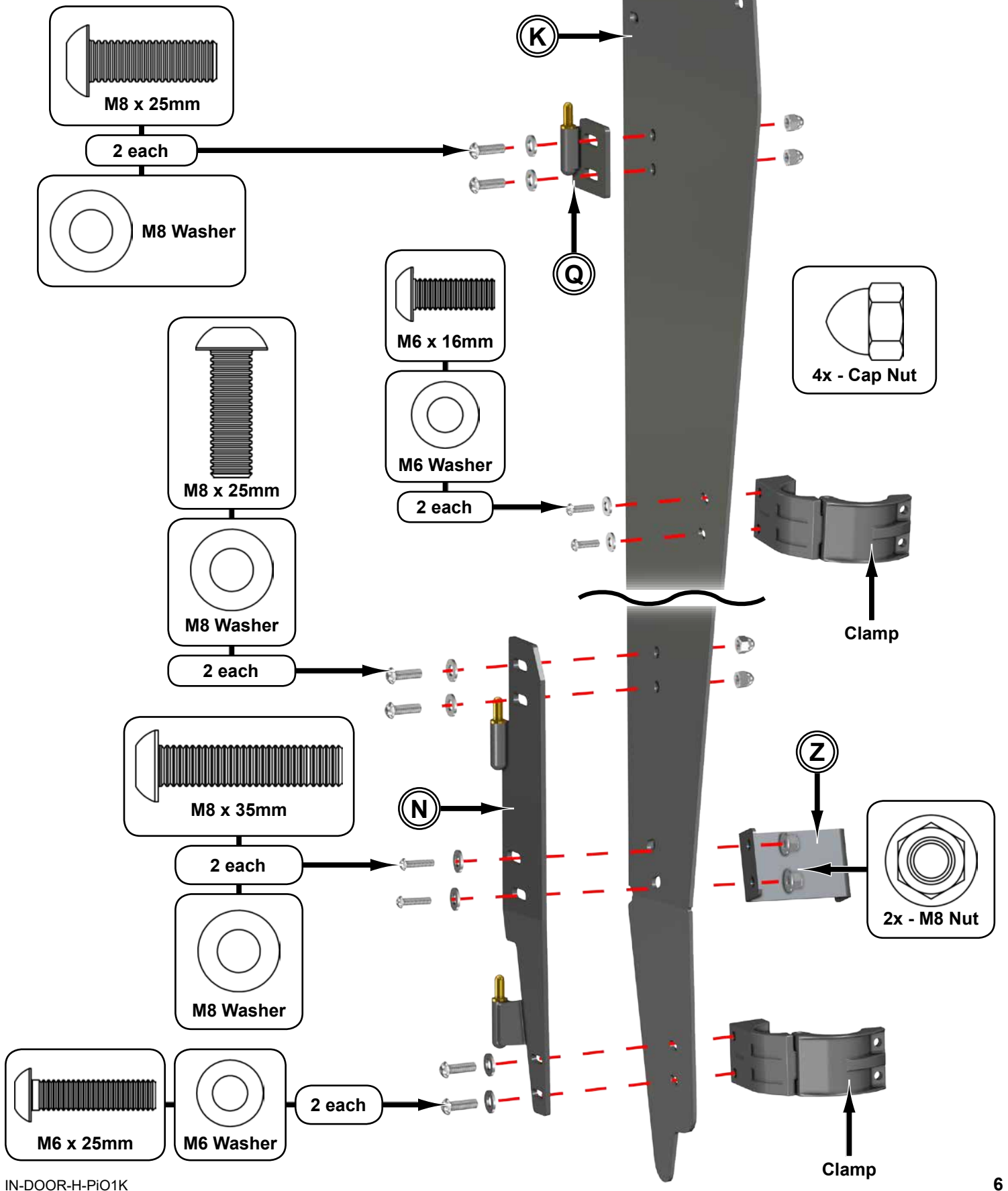
- Remove stock hardware and install Spacer (S) and Left Striker (M) with hardware shown.



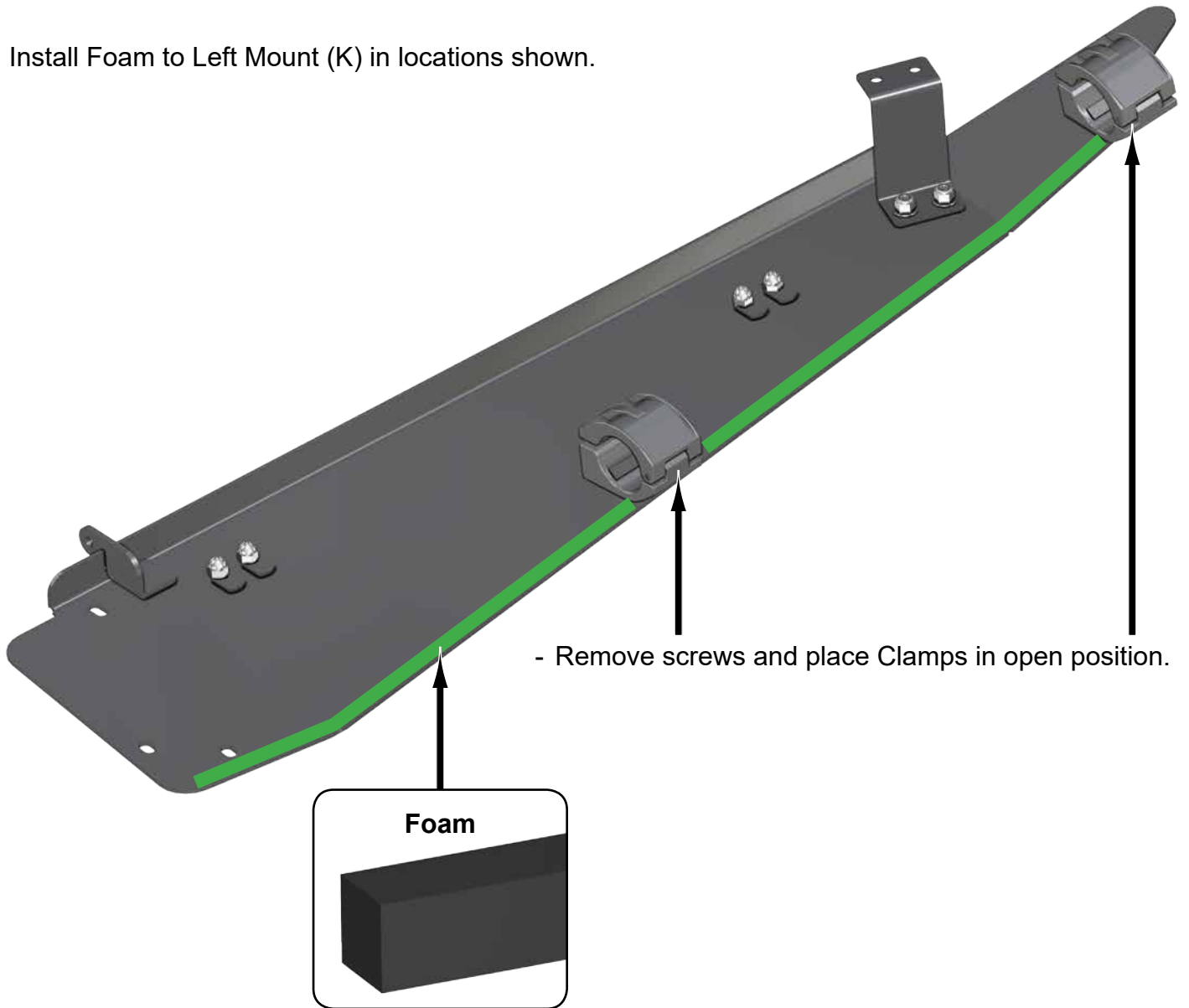
- Install Hinge Covers (X)(Y) with hardware shown.



- Install Upper Left Hinge Mount (Q), Left Hinge Mount (N), Clamps, and Lower Mount Bracket (Z) to Left Mount (K) with hardware shown. Do not tighten hardware.

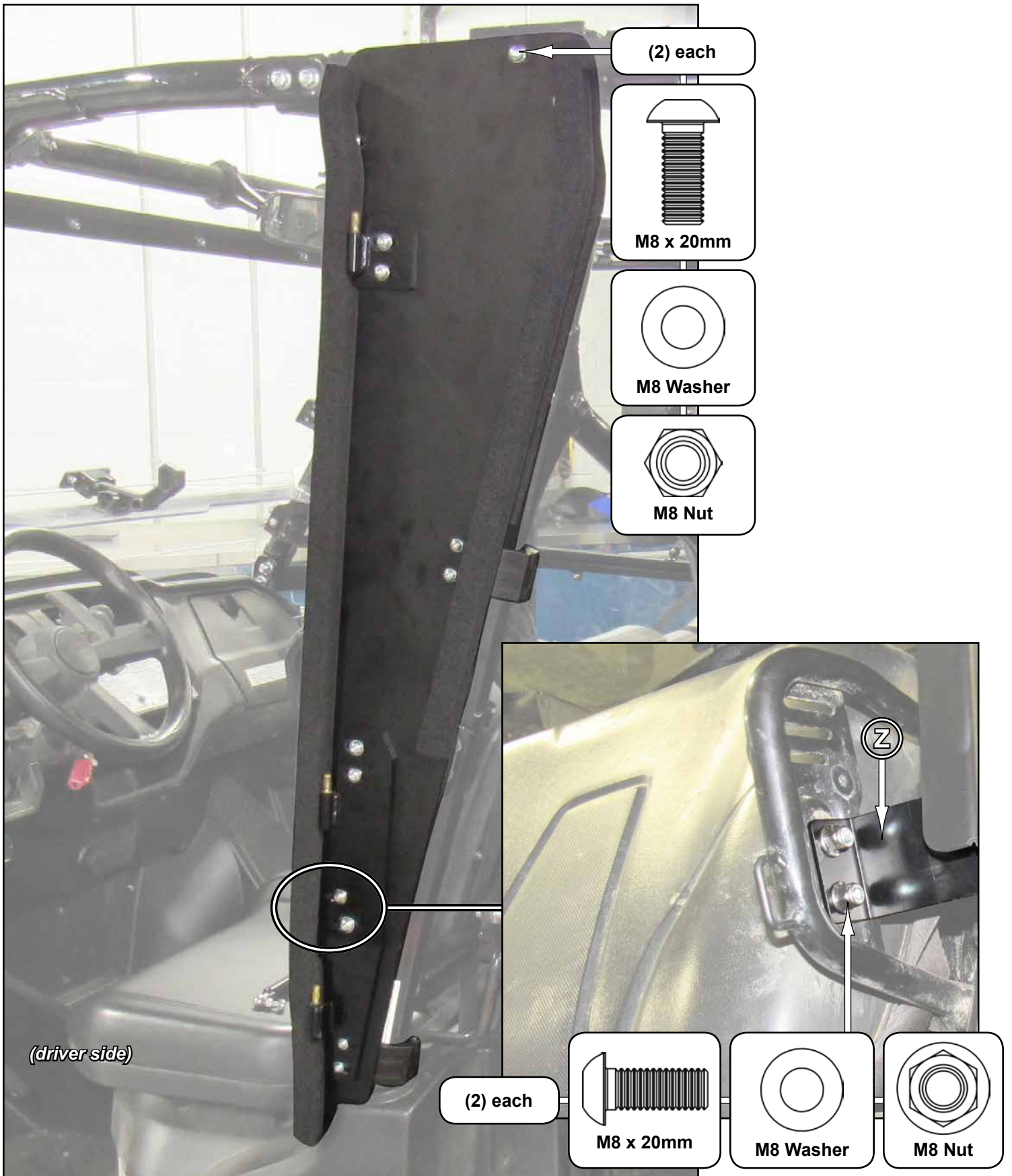


- Install Foam to Left Mount (K) in locations shown.

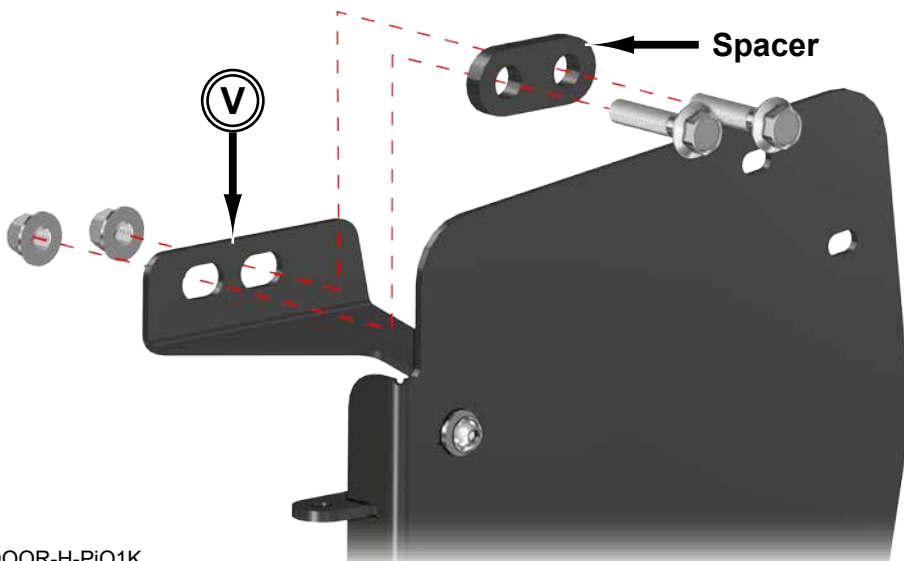
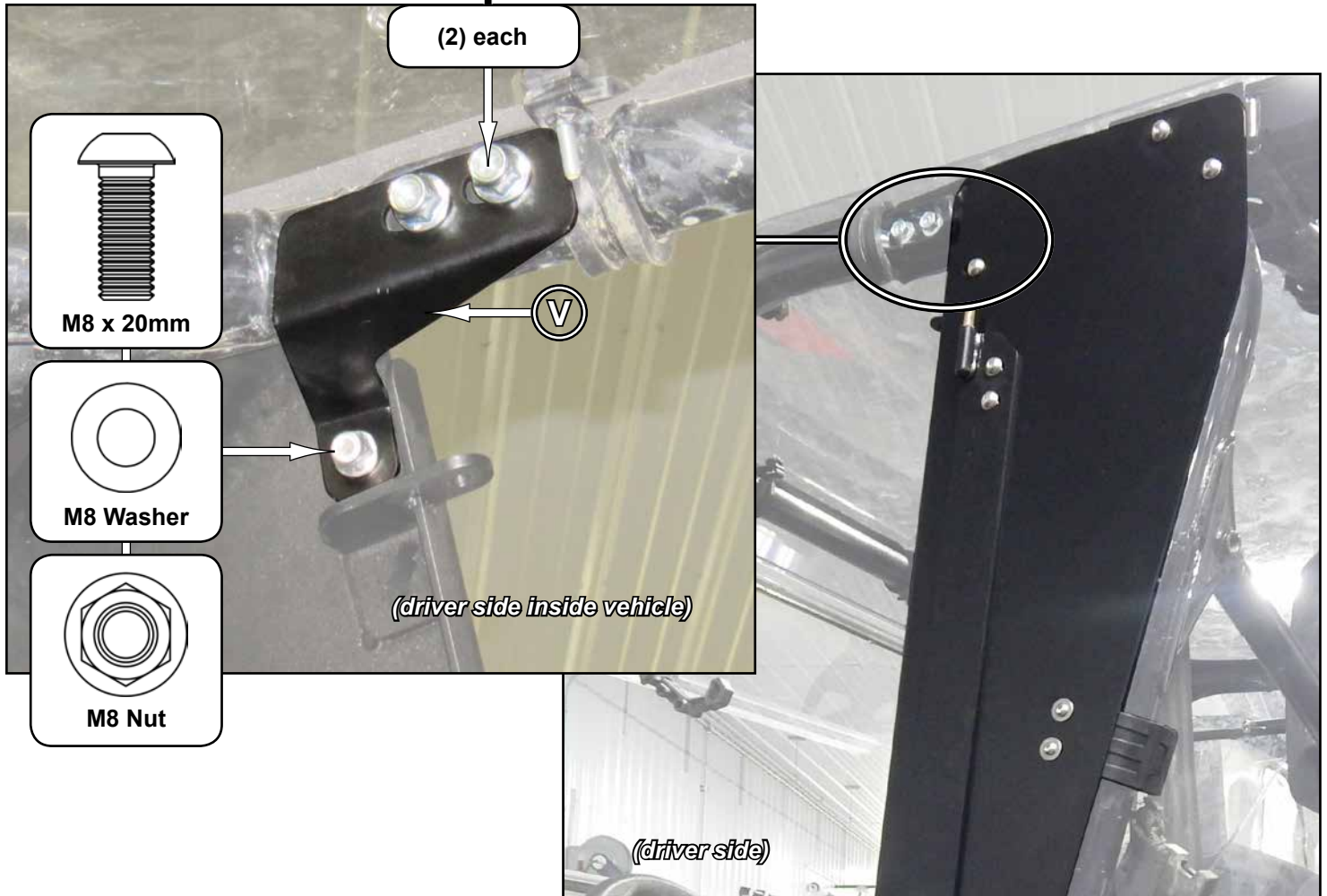
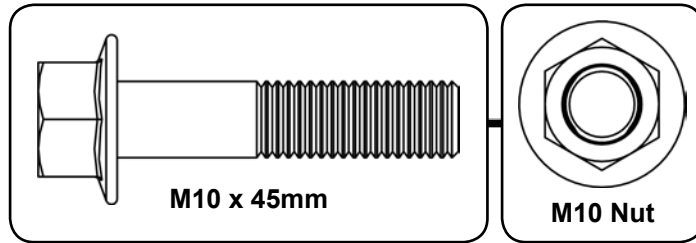


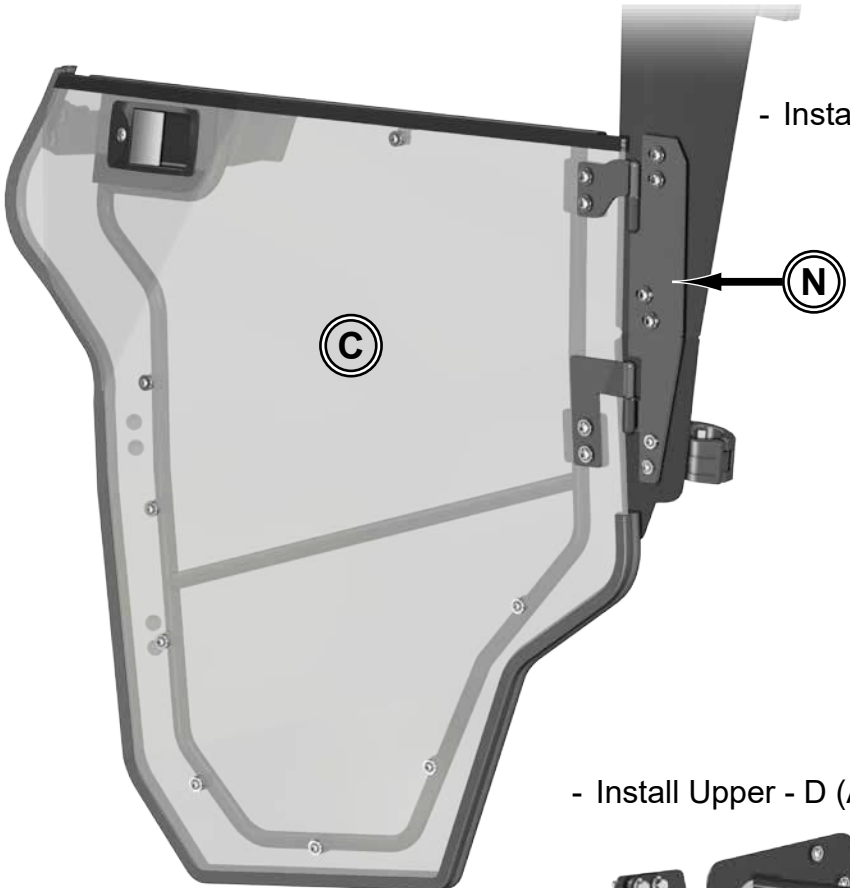
- Remove screws and place Clamps in open position.

- Place Left Mount (C) on machine and secure Clamps (L) with previously removed hardware.
- Install Lower Mount (P) to stock Latch location with hardware shown. Secure to Left Mount (C) with hardware shown.



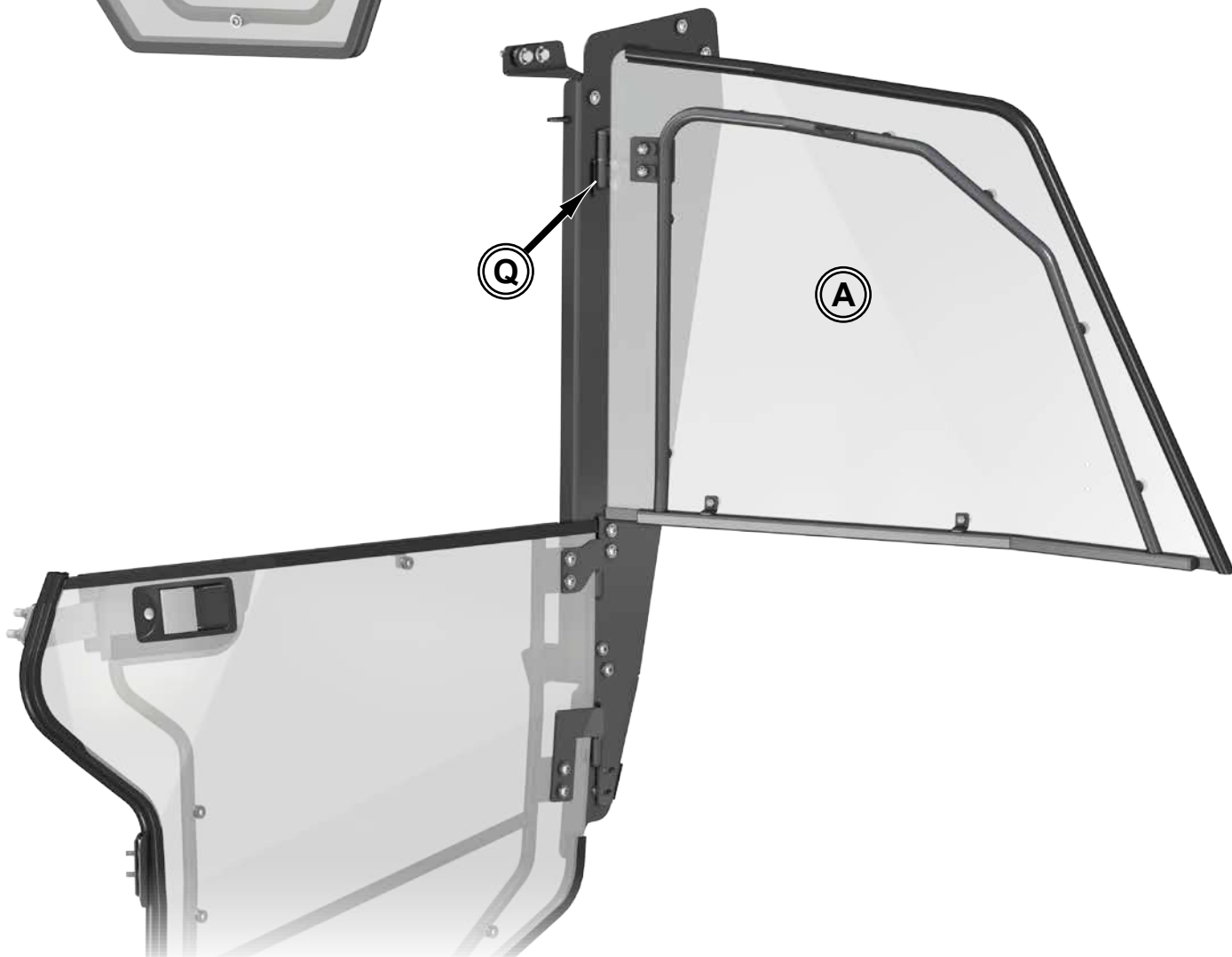
- Install Left Mount Bracket (V) to Left Mount (K) and Cage with hardware shown.



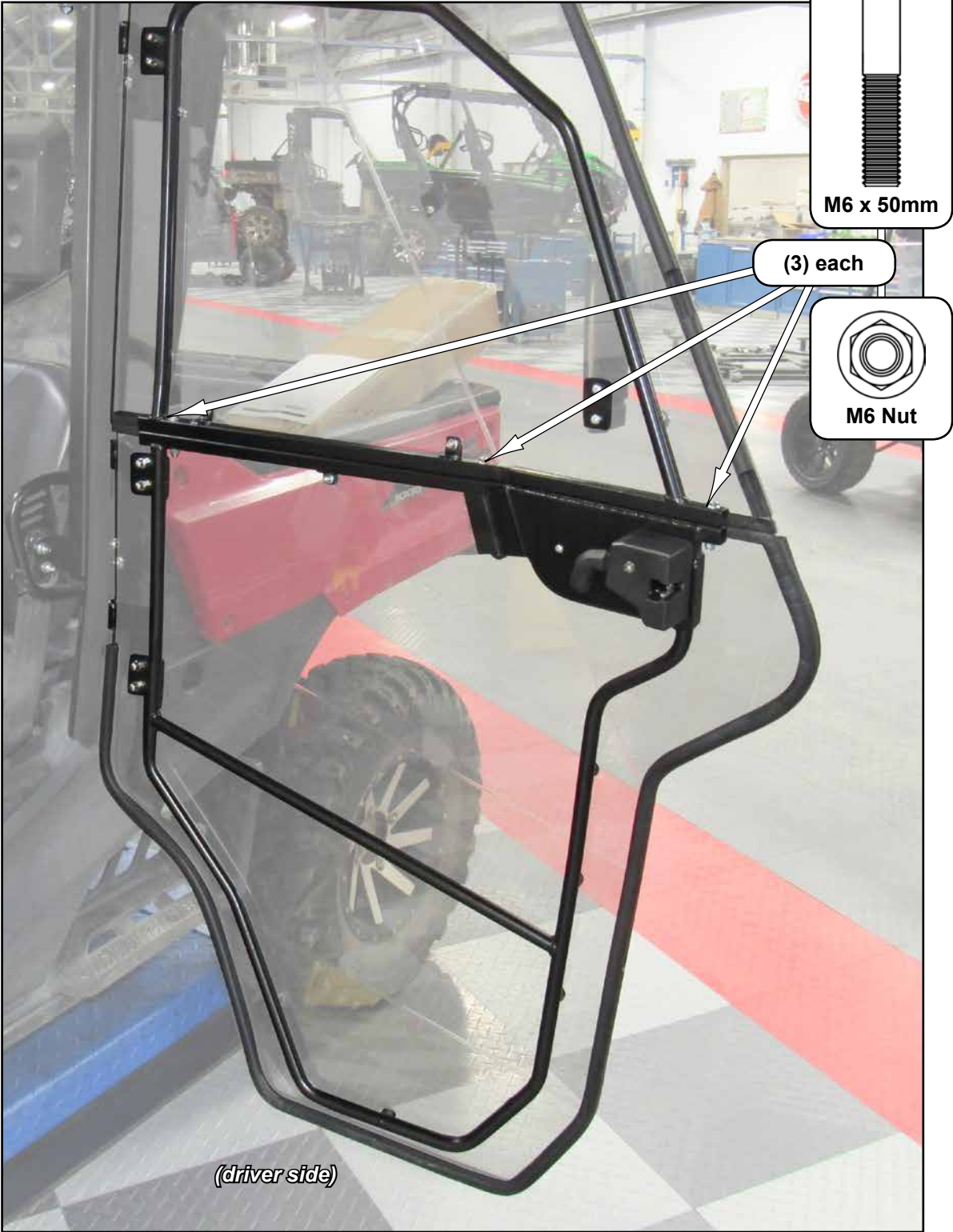


- Install Lower - D (C) onto Left Hinge Mount (N).

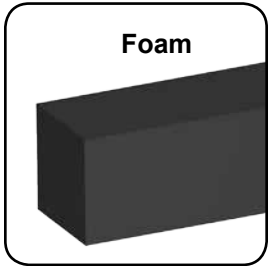
- Install Upper - D (A) onto Upper Left Hinge Mount (Q).



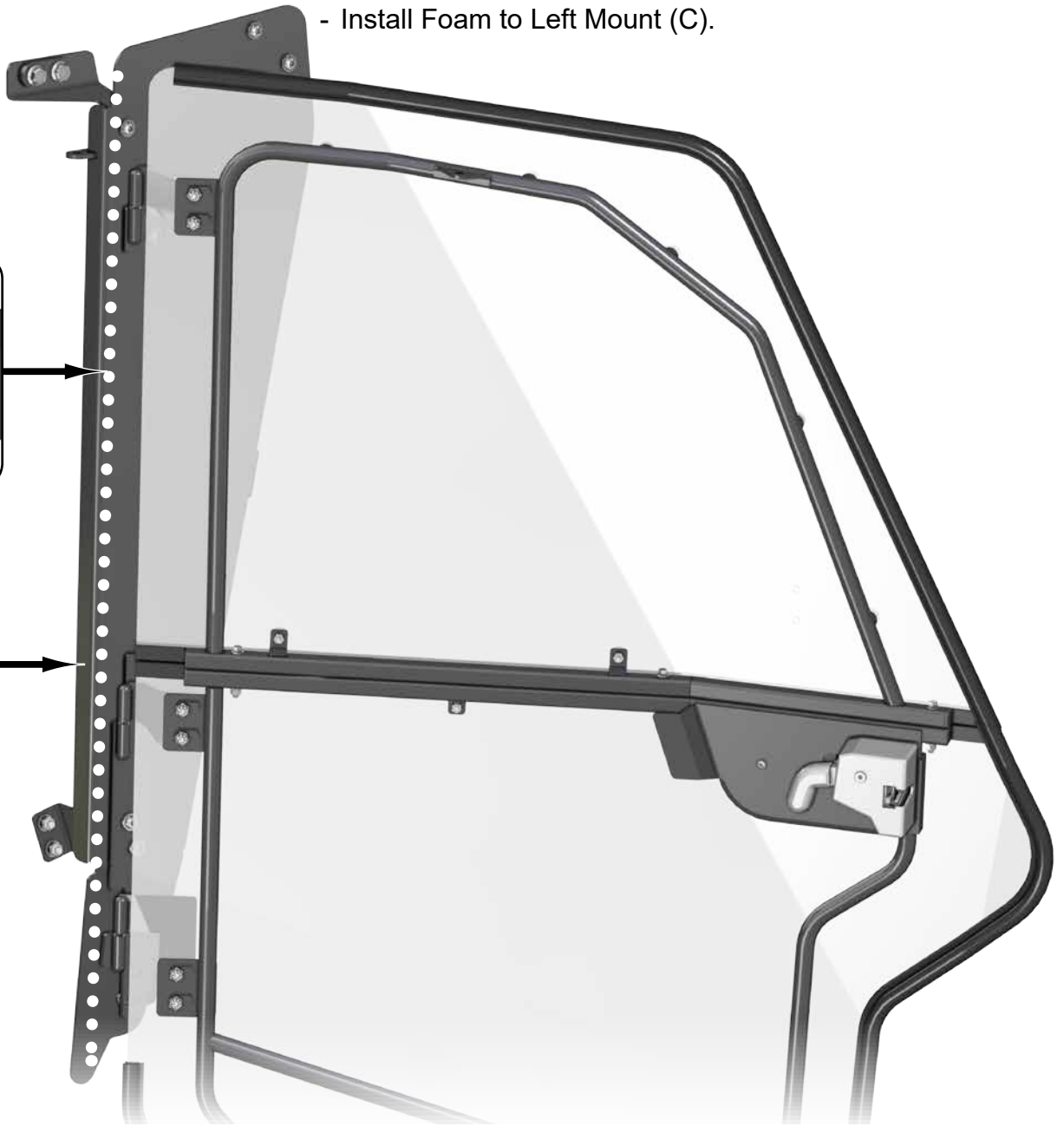
- Secure Upper - D (A) to Lower - D (C) with hardware shown; tighten.
- Close Door and engage Latch.
- Align to machine and tighten all hardware completely.



- Install Foam to Left Mount (C).



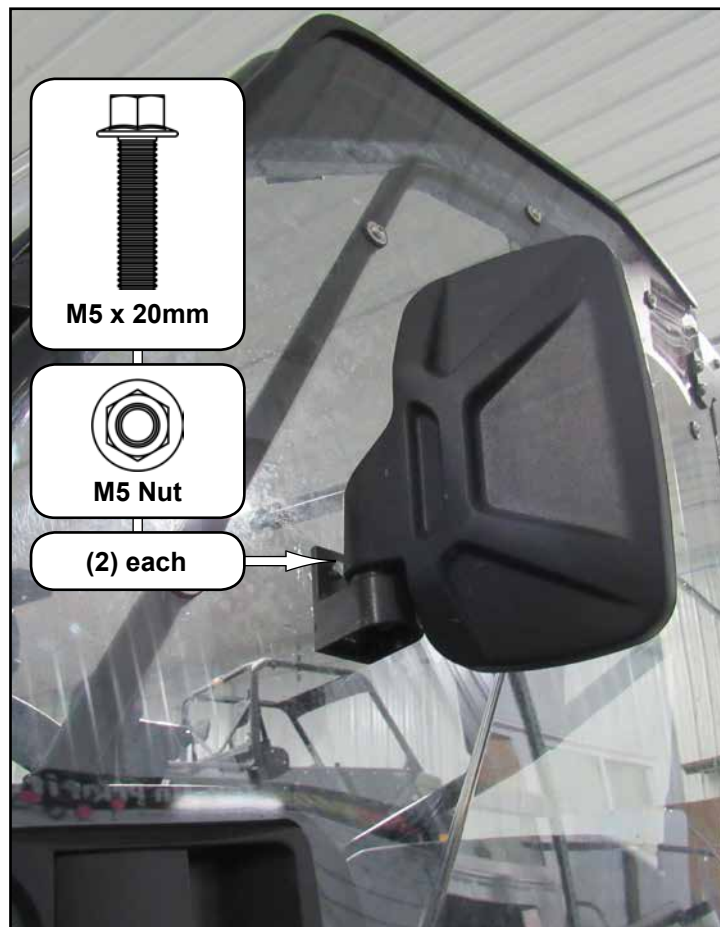
(C)



- Install Strut to Upper - D (A) and Left Mount (C) with hardware shown.



- Install Mirror to Doors with hardware shown.



Repeat steps for passenger side Door installation.

- **Make sure door handles are unlocked before installing.**
- **Do not discard packaging until product has been successfully installed.**
- **This item is not returnable if the protective film has been removed.**
- **Test fit to the cage to confirm fitment before removing film.**

Door Cleaning:

- Do not use Rain-X[®], Plexus[®] or any other protector, wax, or polish.
 - Do not use window cleaning fluids (Windex, 409, etc) or any solvents (gasoline, denatured alcohol, acetone, etc).
 - Never use abrasive cleaners, abrasive pads, or gritty cloths.
 - Never use razor blades, scrapers, squeegees, brushes, etc.
1. Thoroughly rinse Doors to float off dirt and mud.
 2. Using a soft cloth, or microfiber cloth, clean Doors with warm water and a gentle detergent. Baby shampoo, rubbing alcohol, or hand washing soap can also be used.
 3. To prevent water spots, use a chamois to blot Doors dry.

Liability Statement

SuperATV's[®] products are designed to best fit user's ATV/UTV under stock conditions. Adding, modifying, or fabricating any factory or aftermarket parts will void any warranty provided by SuperATV[®] and is not recommended. SuperATV's[®] products could interfere with other aftermarket accessories. If user has aftermarket products on machine, contact SuperATV[®] to verify that they will work together.

Although SuperATV[®] has thousands of satisfied customers, user should be aware that installing lift kits, long travel, or suspension kits, tires, etc. will change the ride of machine and may increase maintenance and part wear. Operating any off-road machine while, or after, consuming alcohol and/or drugs increases risk of bodily harm or death. No warranty or representation is made as to this product's ability to protect user from severe injury or death. SuperATV[®] urges operators and occupants to wear a helmet and appropriate riding gear at all times.

By purchasing and installing SuperATV[®] products, user agrees that should damages occur, SuperATV[®] will not be held responsible for loss of time, use, labor fees, replacement parts, or freight charges. SuperATV[®], nor any 3rd party, will not be held responsible for any direct, indirect, incidental, special, or consequential damages that result from any product purchased from SuperATV[®]. The total liability of seller to user for all damages, losses, and causes of action, if any, shall not exceed the total purchase price paid for the product that gave rise to the claim.

SuperATV[®] will warranty only parts provided by SuperATV[®]. Any damage or problems with OEM housings, bearings, seals, or other manufacturers' products will not be covered by SuperATV[®]. SuperATV[®] parts and products are not warranted if item was not installed properly, misused, or modified.

Installing, adding, modifying, or fabricating any factory or aftermarket product to your ATV/UTV may violate certain local, state, and federal laws. Be advised that laws vary depending on town, city, county, state, etc. Use of certain products on public streets, roads, or highways may be in violation law. The Buyer is solely and exclusively legally and personally responsible for any violation of the law by the installation or use of the product. You must abide by all local, state, and federal laws, including but not limited to vehicle safety, traffic laws, and ordinances. It is your responsibility to know the laws and how they apply to you.

The Buyer is responsible to fully understand the capability and limitations of his/her vehicle according to manufacturer specifications, warnings and instructions and agrees to hold SuperATV[®] harmless from any damage resulting from failure to adhere to such specifications, warnings and/ or instructions. The Buyer is also responsible to obey all applicable federal, state, and local laws and ordinances when operating his/her vehicle while using this product, and the Buyer agrees to hold SuperATV[®] harmless from any violation thereof.

Need help with your installation?



sales@superatv.com



www.superatv.com



1-855-743-3427



8:00am - 8:00pm EST M-Th
8:00am - 7:00pm EST Friday
9:00am - 2:00pm EST Saturday

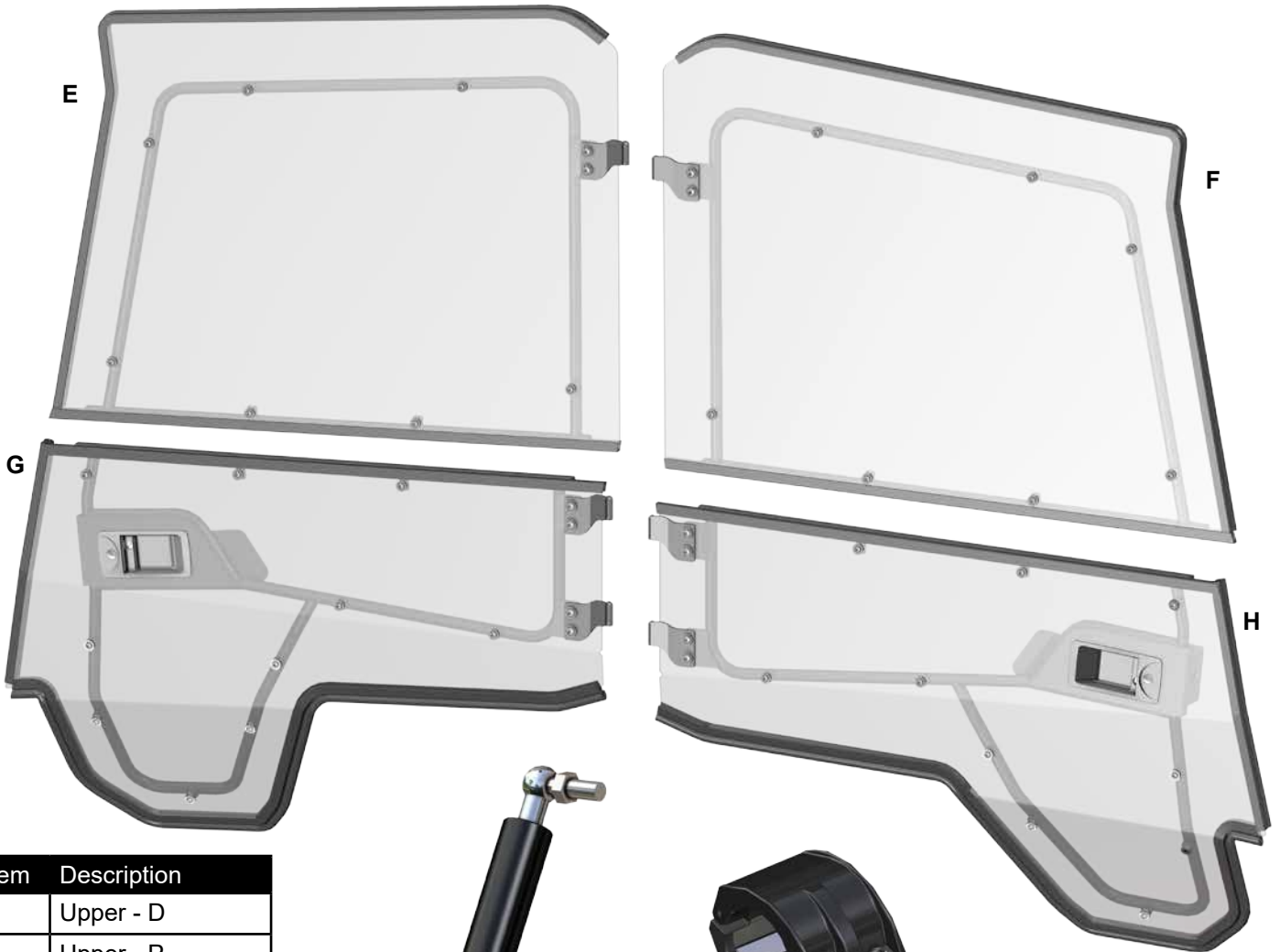
Read instructions and view illustrations before beginning.

Thank You

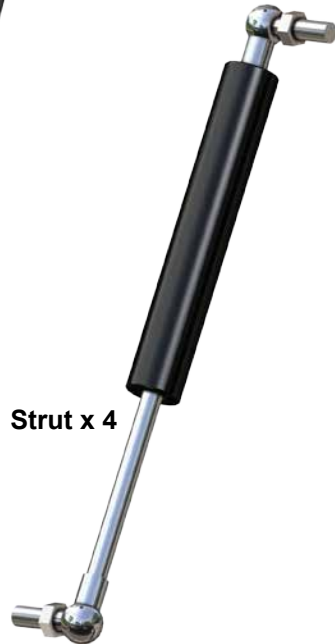
For Choosing

SUPERATV.COM[®]

Rear



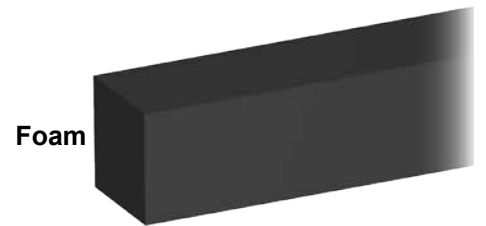
Item	Description
E	Upper - D
F	Upper - P
G	Lower - D
H	Lower - P



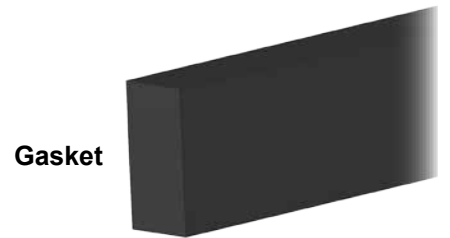
Strut x 4



Clamp x 8



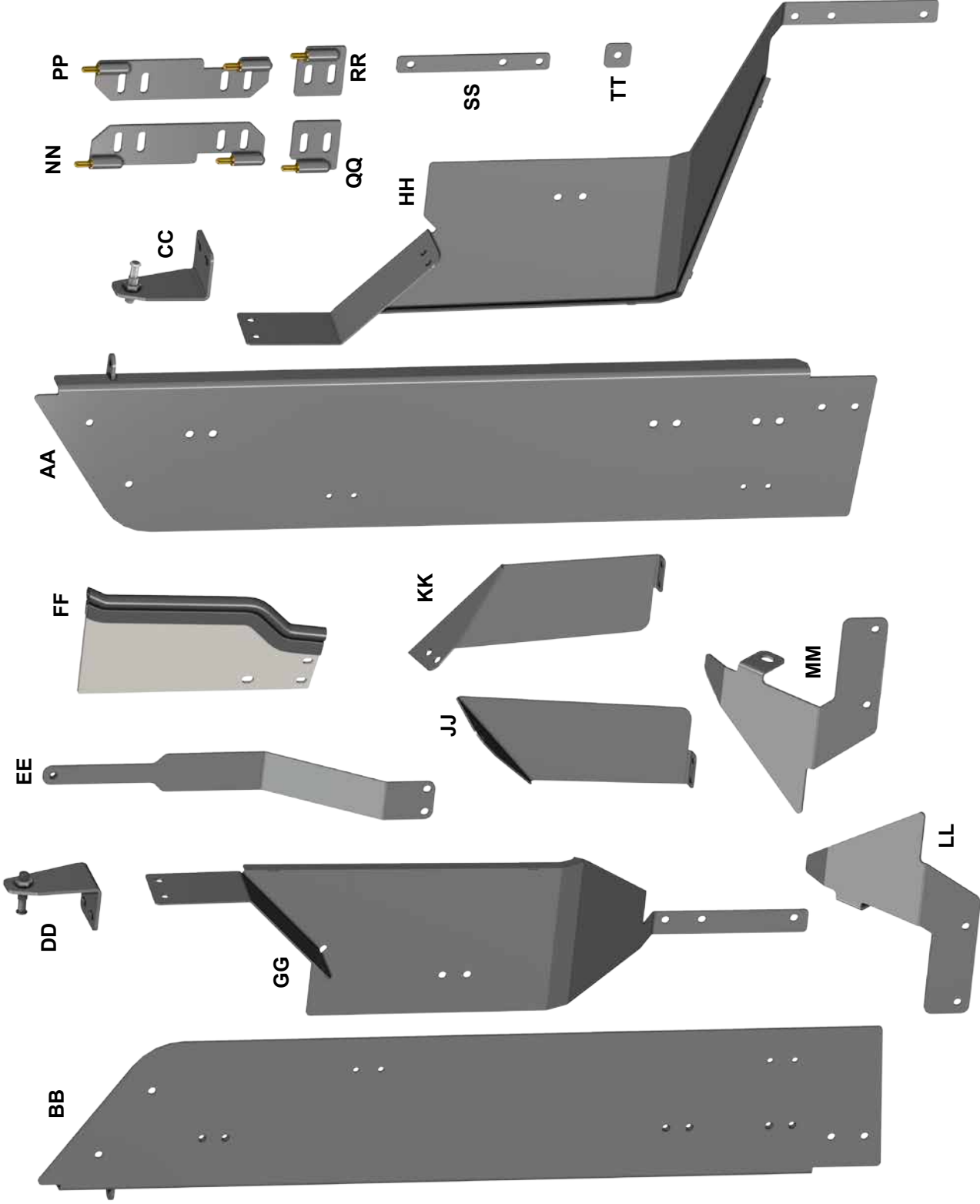
Foam



Gasket

Rear

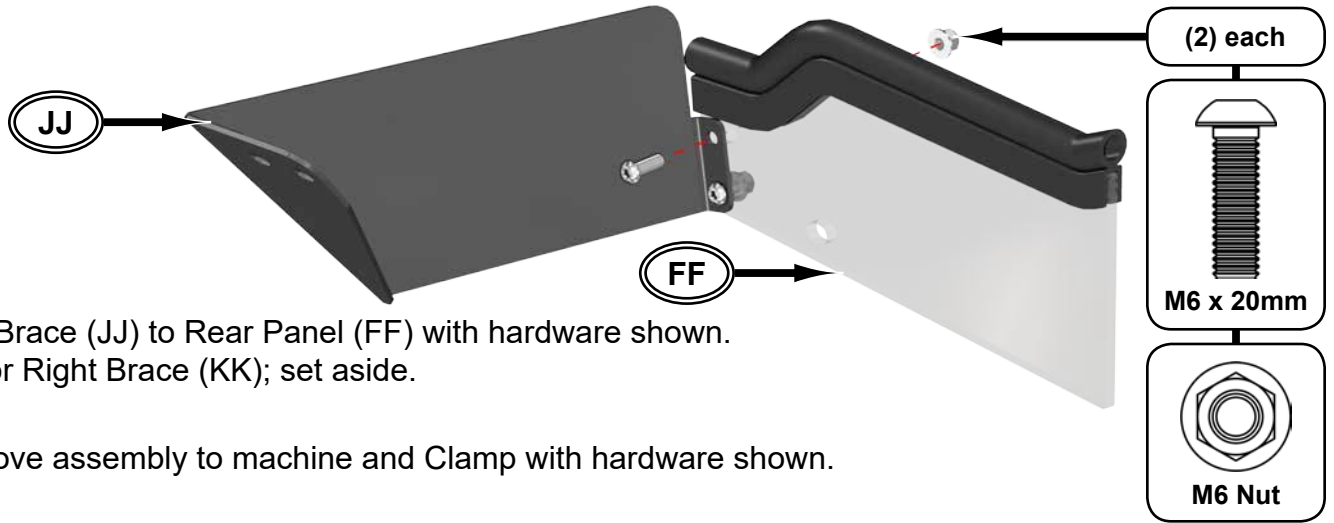
Item	Description
AA	Right Mount
BB	Left Mount
CC	Right Striker
DD	Left Striker
EE	Floor Bracket x 2
FF	Rear Panel x 2
GG	Left Fender Bracket
HH	Right Fender Bracket
JJ	Left Brace
KK	Right Brace
LL	Right Upper Bracket
MM	Left Upper Bracket
NN	Lower Left Hinge Mount
PP	Lower Right Hinge Mount
QQ	Upper Left Hinge Mount
RR	Upper Right Hinge Mount
SS	Fender Bracket Plate x 2
TT	Floor Bracket Spacer x 2



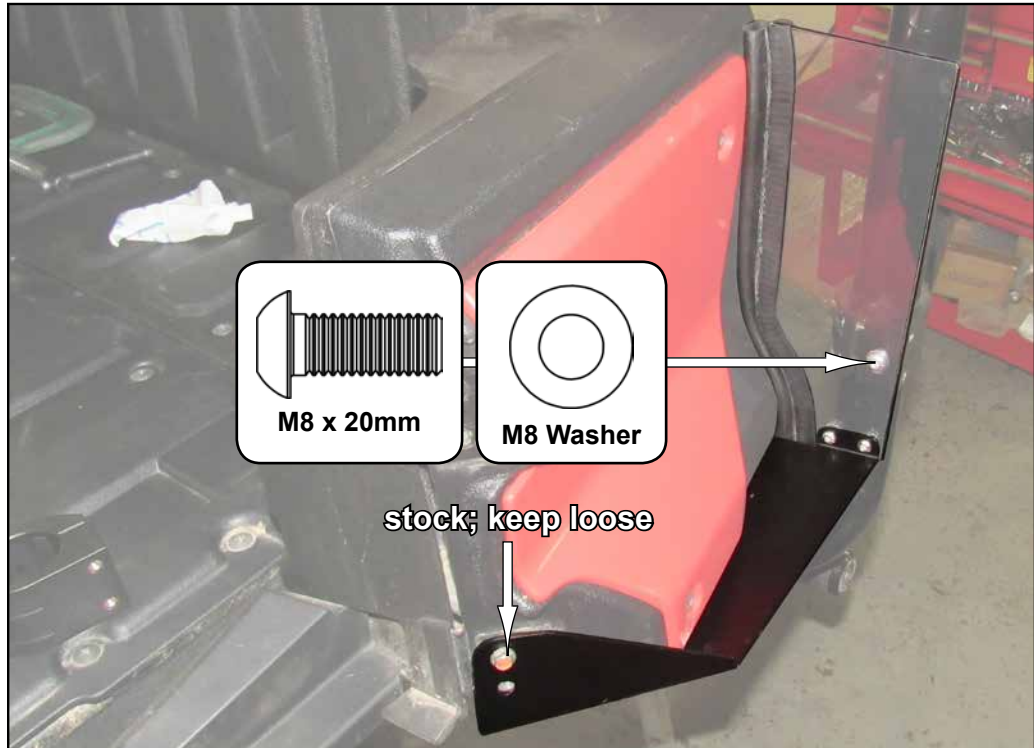




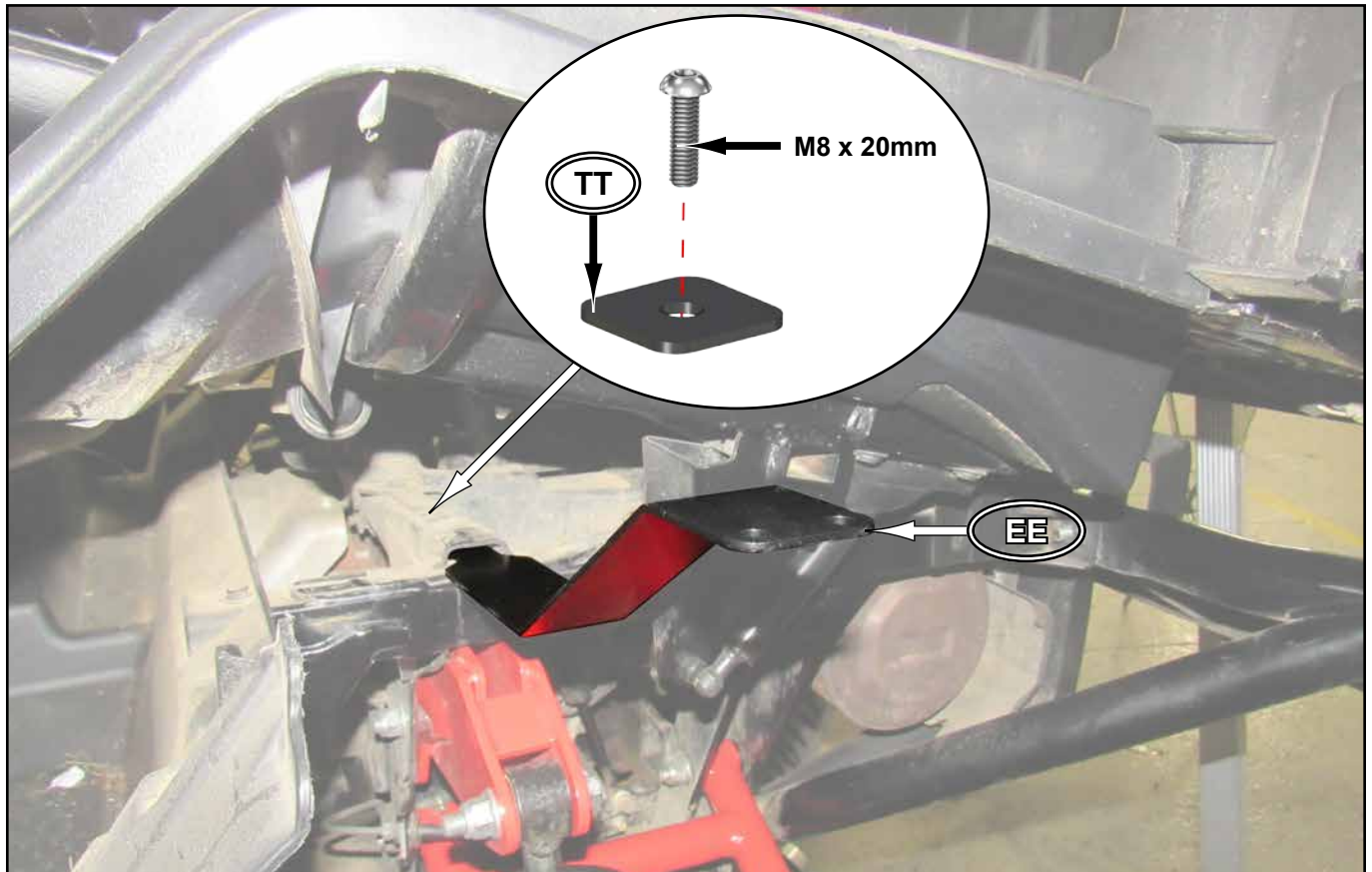
Installing will eliminate Bed tilting. Skip this page if user would like Bed to tilt.



- Join Left Brace (JJ) to Rear Panel (FF) with hardware shown.
- Repeat for Right Brace (KK); set aside.
- Install above assembly to machine and Clamp with hardware shown.



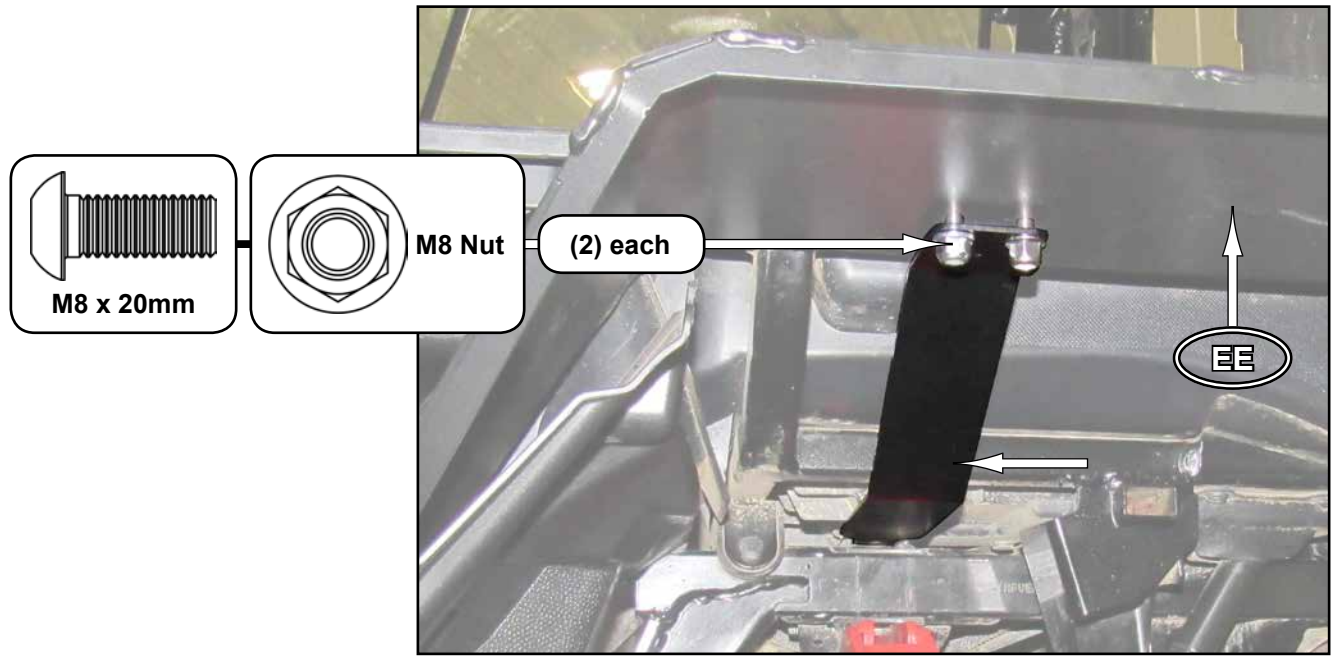
- Raise Bed and insert Floor Bracket (EE) into pocket shown.
- Secure with hardware shown; tighten completely.



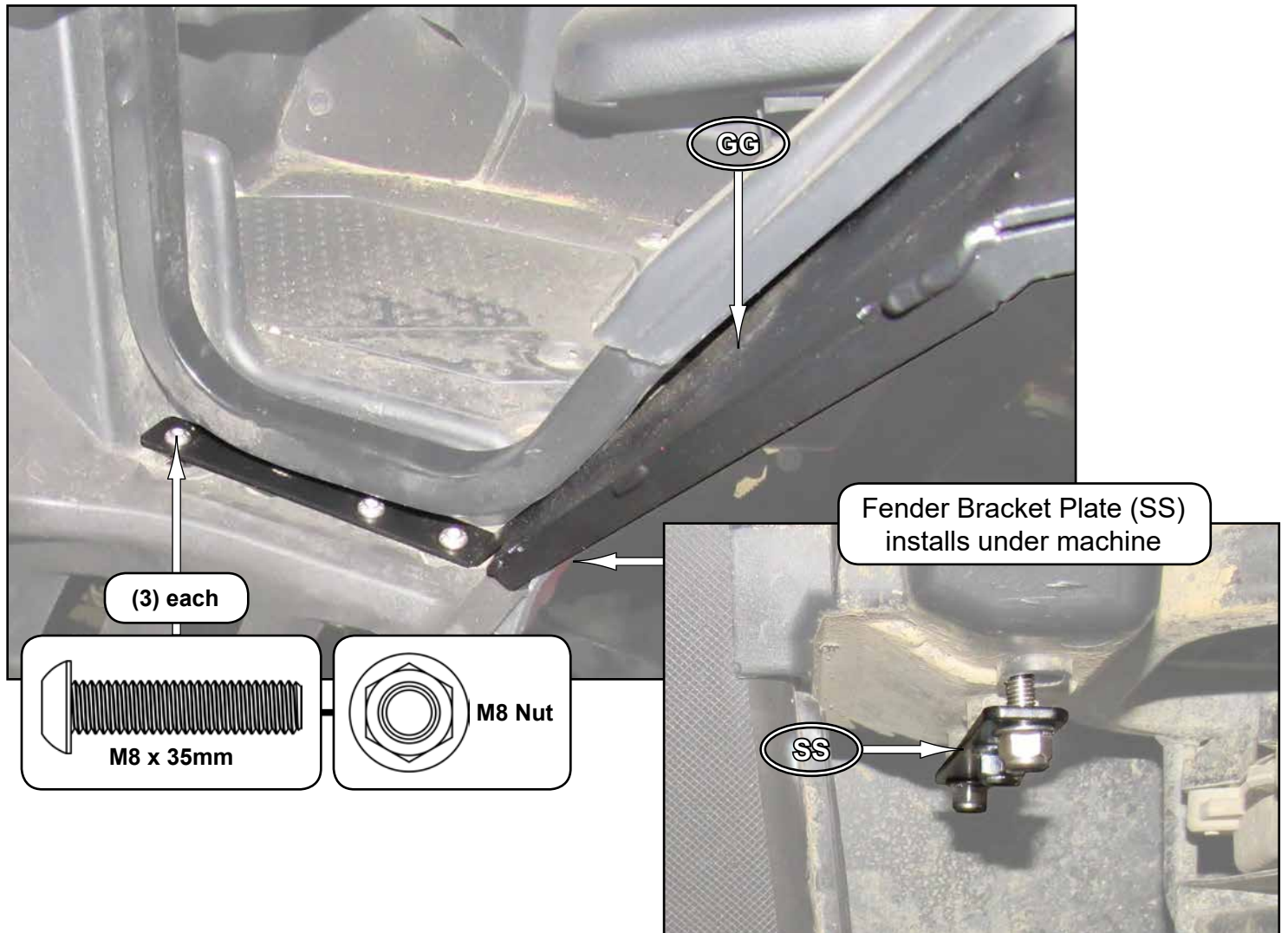
- Reinstall Left Fender Bracket (GG) / Rear Panel (FF) assembly to Clamp with hardware shown.



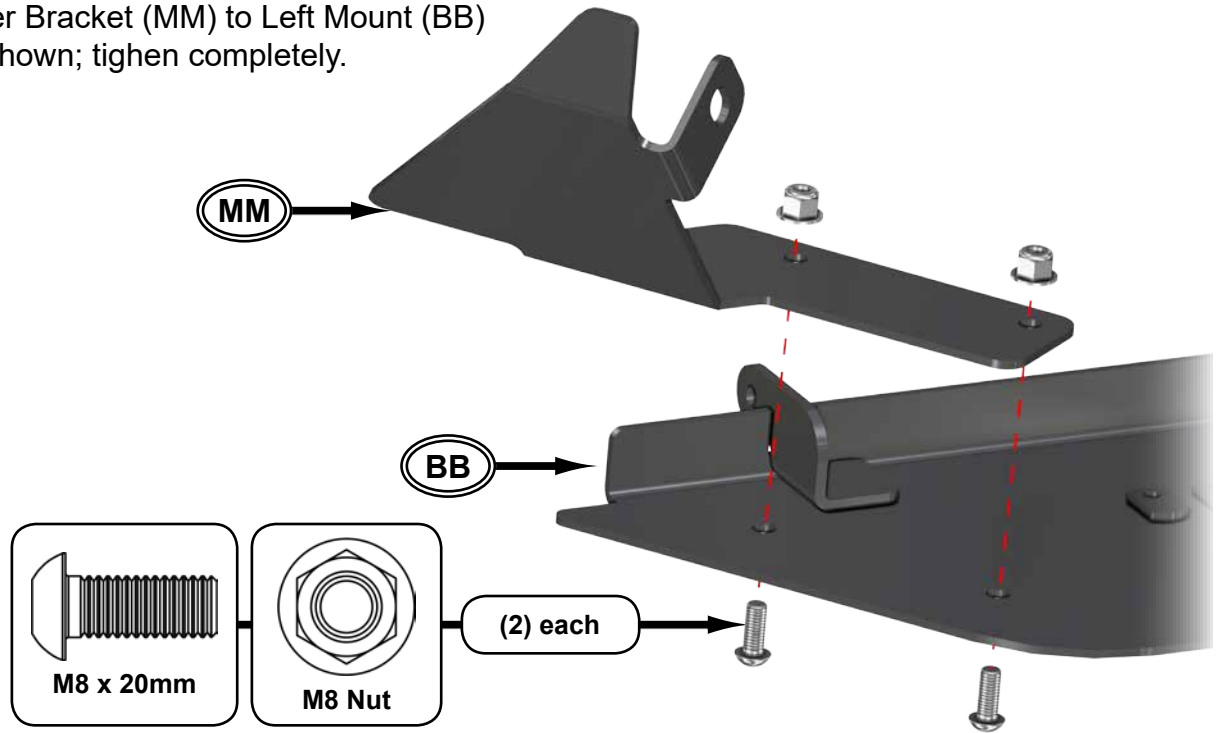
- Secure Left Fender Bracket (GG) to Bed Bracket (EE) with hardware shown; tighten completely.



- Secure Left Fender Bracket (GG) to Fender Bracket Plate (SS) with hardware shown; tighten completely.



- Install Left Upper Bracket (MM) to Left Mount (BB) with hardware shown; tighten completely.

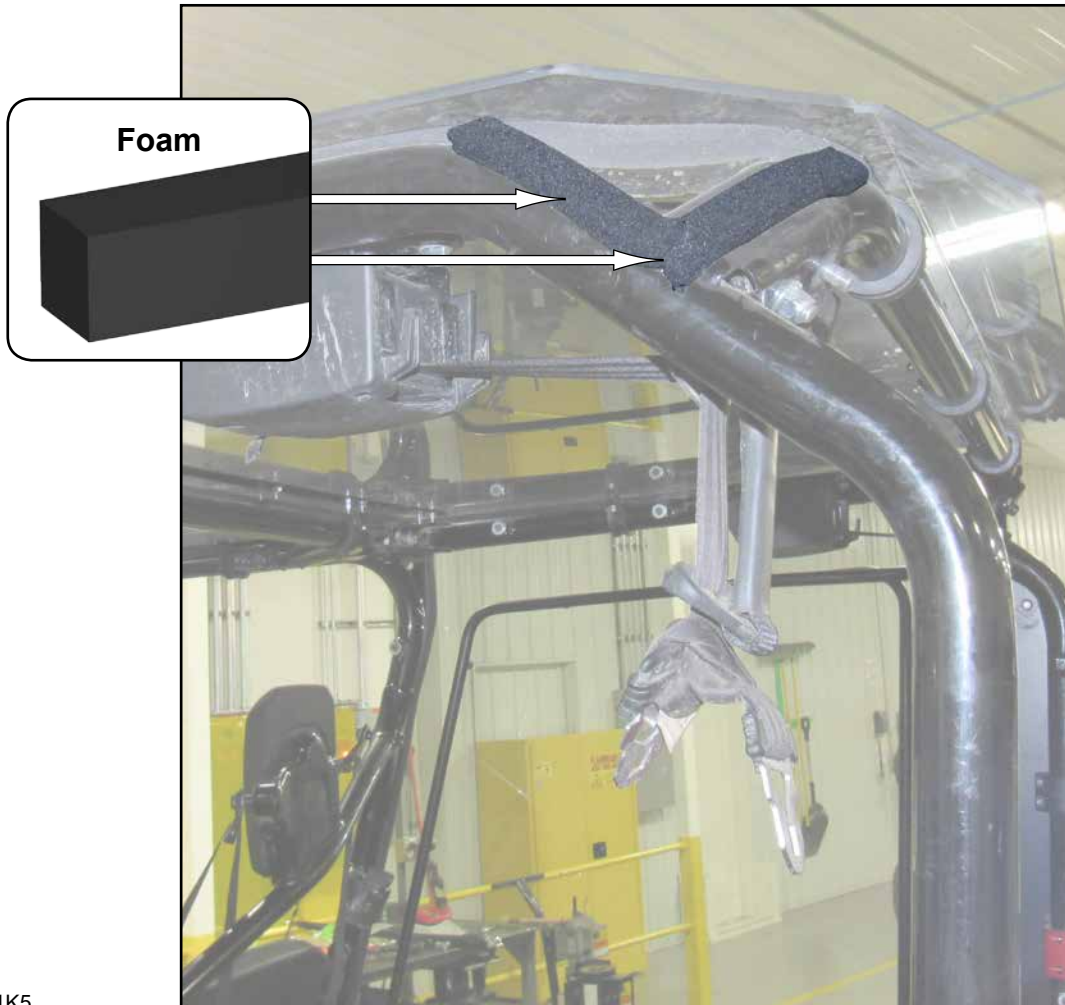


- Install Foam to Left Mount (BB) in locations shown.

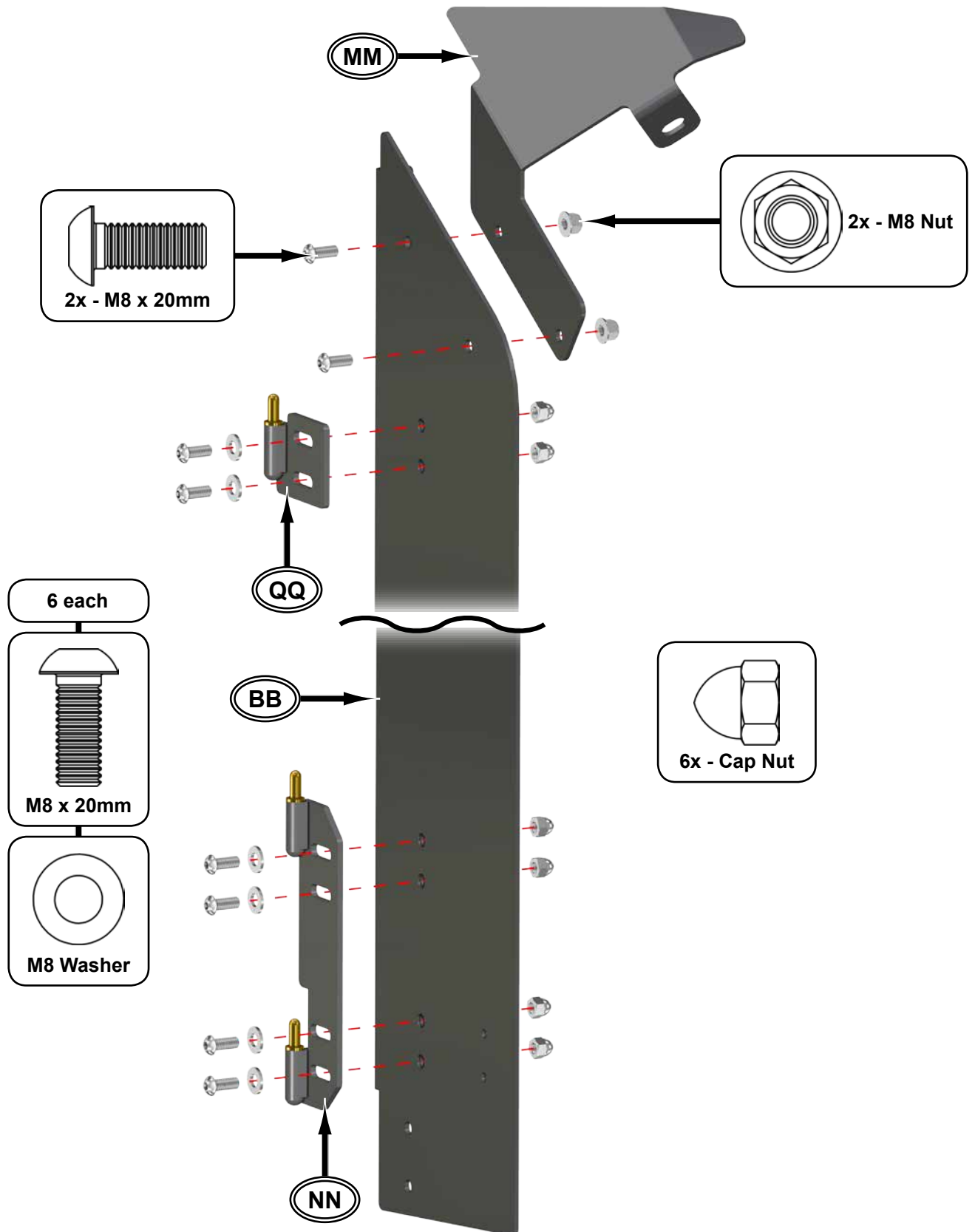




- Install Foam to Cage in locations shown.



- Install Left Upper Bracket (MM), Upper Left Hinge Mount (QQ), and Lower Left Hinge Mount (NN) to Left Mount (BB) with hardware shown. Do not tighten hardware.

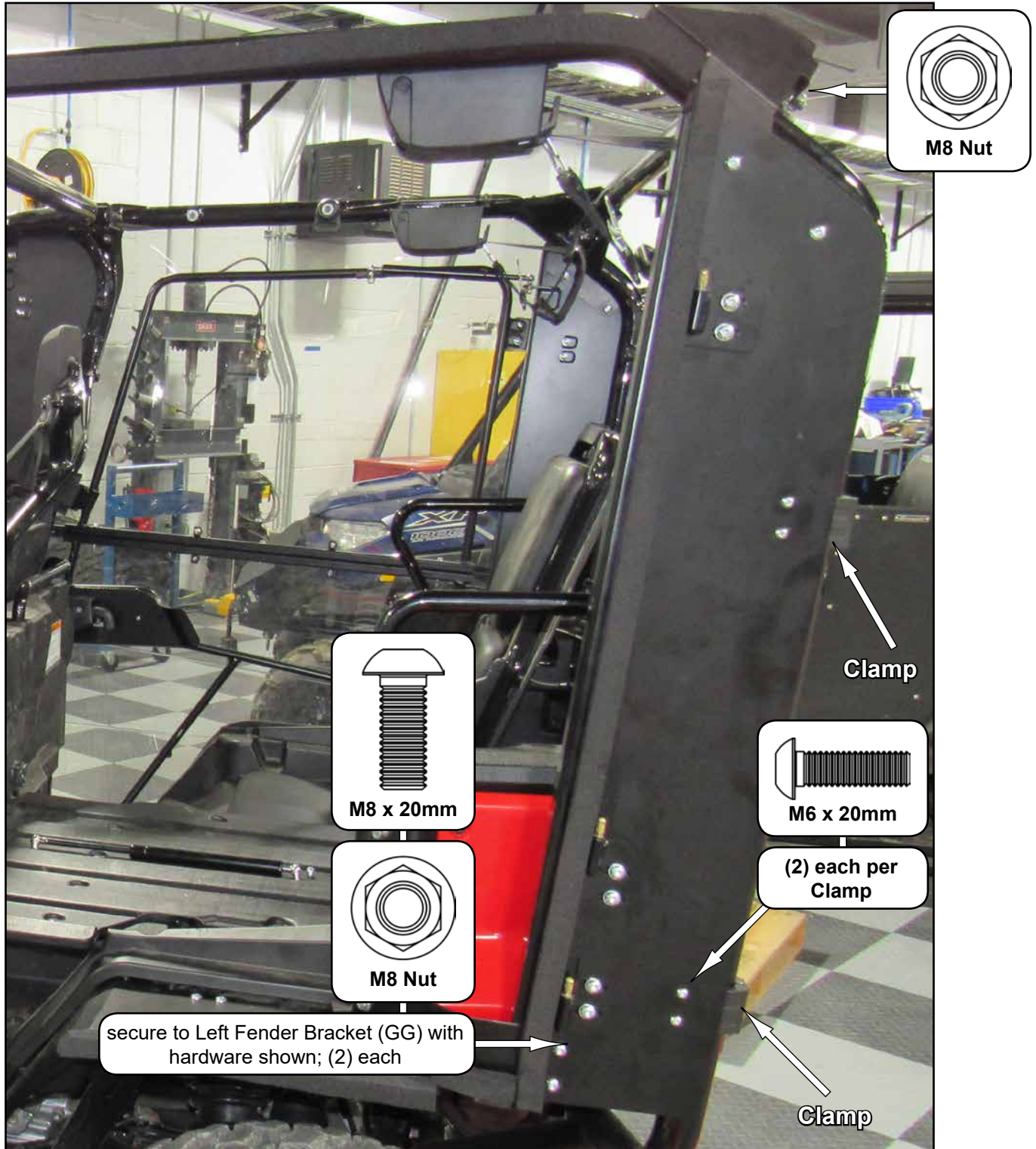




- Install Left Striker (DD) with stock hardware; **do not tighten hardware.**



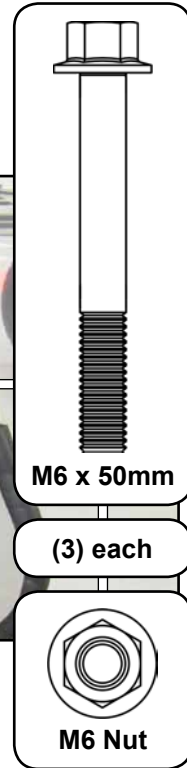
- Install Left Mount (GG) to Cage and secure Left Upper Bracket (MM) with provided Nut.
- Install Clamps to Cage and secure to Left Mount (GG) with hardware shown.
- Tighten hardware completely.



- Install Left Rear Doors to Hinge Mounts.



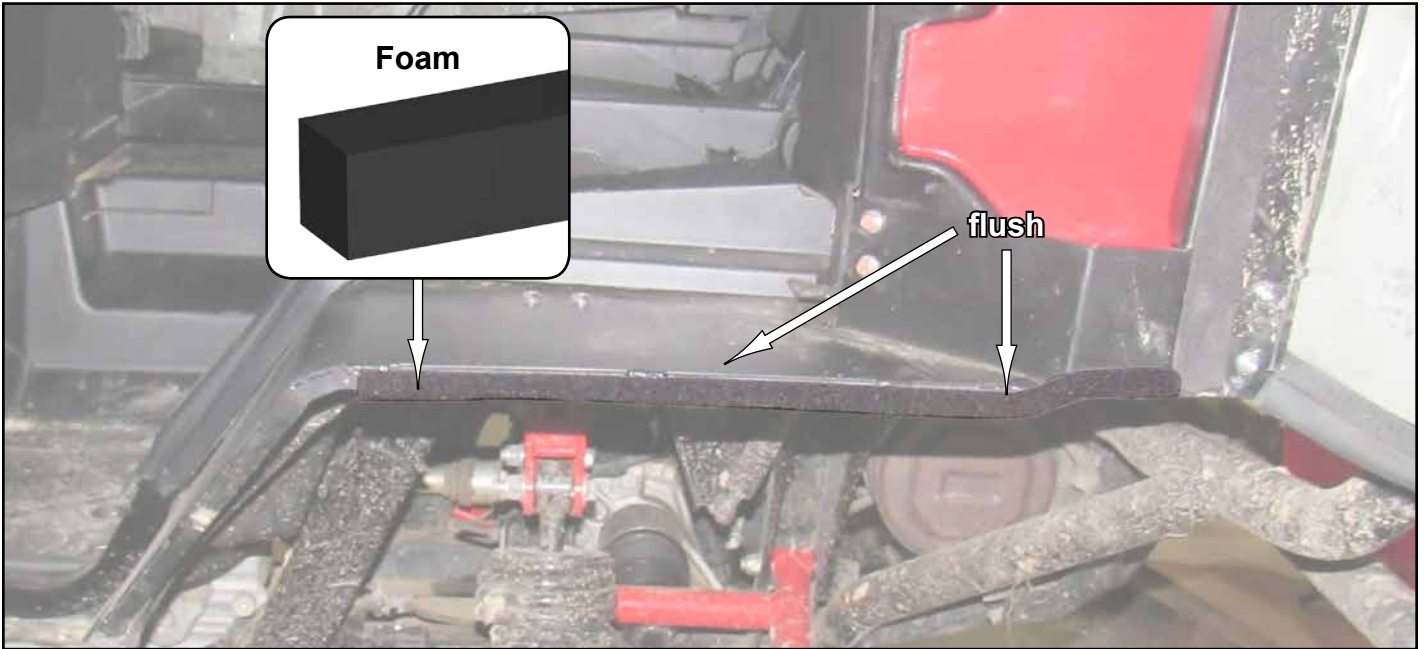
- Join Doors with hardware shown; tighten.
- Close Door and engage Latch.
- Align to machine and tighten all hardware completely.



- Install to Gas Strut to Left Mount (BB) and upper Door with hardware shown.



- Place a piece of Foam (approximately 17" lg.) to side of Left Fender Bracket (GG).



- Follow under side of Left Fender Bracket (GG) and trim Foam.



Repeat steps for passenger side Door installation.

- Install Foam to locations shown.

