

- Do not discard packaging until product has been successfully installed.



Hose Pliers



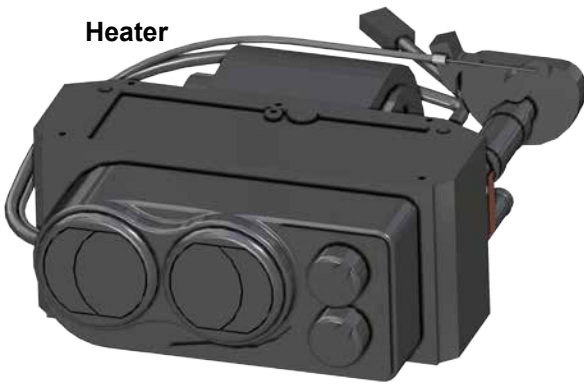
Wire Harness



Hole Saw Kit



Wire Ties



Heater



4 Way Adapter x 2



4x Large Clamp



4x Small Clamp



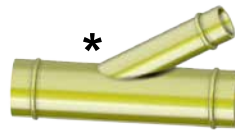
2x Grommet



Tubing x 2



Elbow



Adapter x 2

*(install only if Front Heater is not present)*

*(kit contents continue on following page)*

**Need help with your installation?**

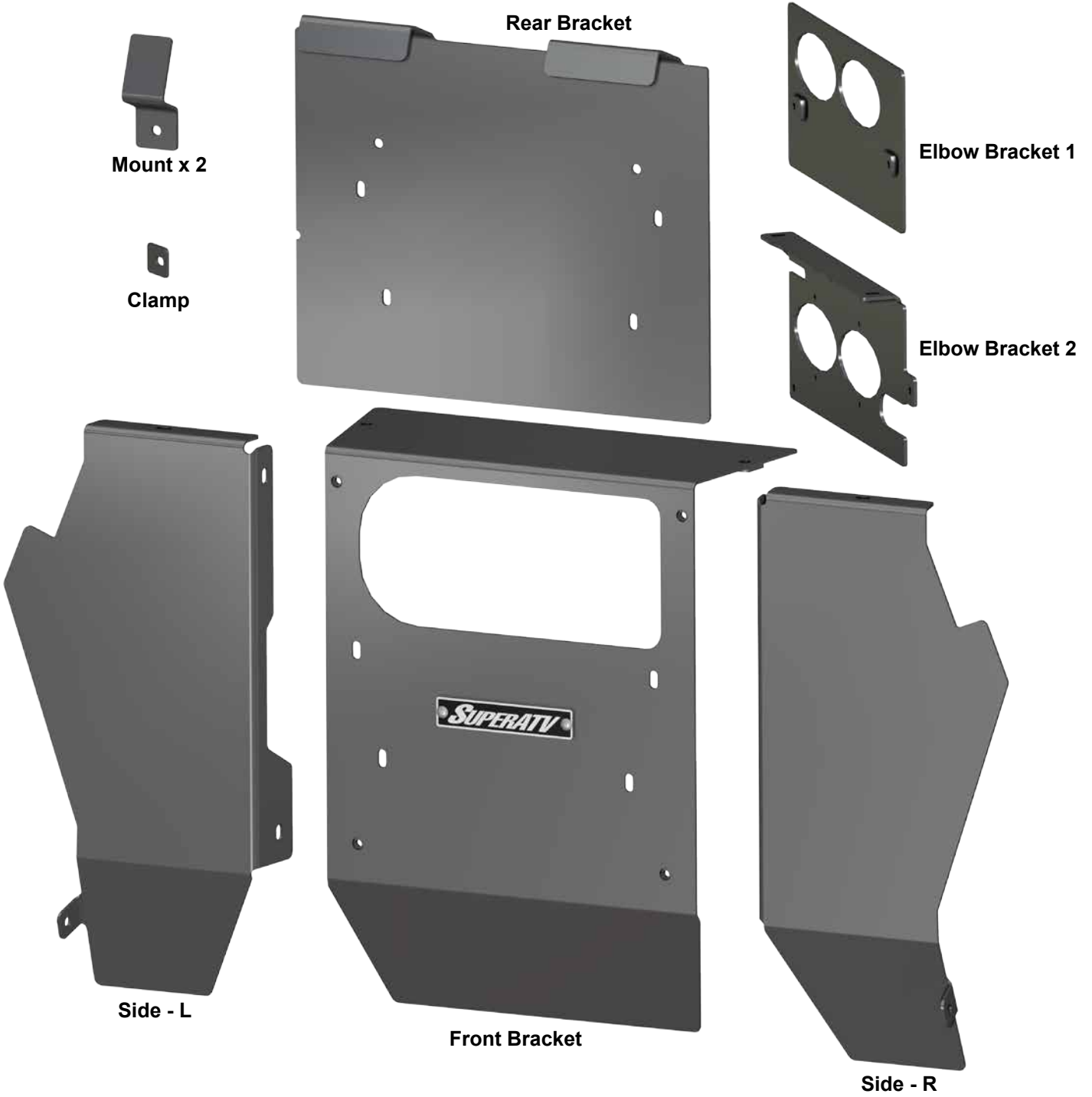
 [sales@superatv.com](mailto:sales@superatv.com)
 [www.superatv.com](http://www.superatv.com)

 1-855-743-3427
  8:00am - 8:00pm EST M-Th  
 8:00am - 7:00pm EST Friday  
 9:00am - 2:00pm EST Saturday

**Read instructions and view illustrations before beginning.**

*Thank You  
 For Choosing*  
**SUPERATV**.COM<sup>®</sup>

(kit contents continued)



- **Tube and Duct lengths are SuperATV recommended. User may install components in other locations. Verify lengths before final installation.**
- **Check behind areas being drilled for interference.**
- **Avoid burns and scalding by working on cool vehicles.**
- **Secure components away from rotating objects.**
- **Do not tighten mounting hardware until all components are in place.**
- **Use manufacturers recommended coolant.**
- **Avoid sharp bends when installing Tubing.**
- **Verify that no leaks are present after installation.**

**CUSTOMER NOTIFICATION AND DISCLAIMER LIABILITY**

This product is a modification for utility task vehicles and all terrain vehicles. Use this product at your own risk.

**Warranty and Liability Limitations.** The Buyer hereby assumes all risks associated with the use and/or installation of this product. Buyer waives all liability claims against SuperATV® of any kind or nature, including, but not limited to, liability for penalties, fines, property damage, personal injury or death, to the fullest extent permitted by law. Buyer acknowledges and agrees that SuperATV® is not liable for any direct, indirect, incidental, consequential or special damages, including but not limited to, damage, loss of life, loss of property or equipment, loss of profits or revenue, injury, or claims from any individual or entity arising from the use of this product.

The warranty for this product, if any, may give you ("Buyer") specific legal rights, and Buyer may also have other rights which may vary from state to state. The installation of this product may void or otherwise adversely affect your factory warranty.

Consult your vehicle warranty before using this Product. Under no circumstances will SuperATV® be liable for the voidance of the Buyer's vehicle warranty. Buyer assumes all risk and responsibility if a manufacturer and/or dealer voids the Buyer's vehicle warranty due to use of this Product.

**Safety and Laws.** Operate your vehicle at all times in a safe manner. You must abide by all local, state, and federal laws, including but not limited to vehicle safety, traffic laws, and ordinances. It is your responsibility to know the laws and how they apply to you. The installation of this product may violate certain local, state, and federal laws. Be advised that laws vary depending on town, city, county, state, etc. Use of this product on public streets, roads, or highways may be in violation law. The Buyer is solely and exclusively legally and personally responsible for any violation of the law by the installation or use of this product. In no case will SuperATV® be held liable if Buyer violates the law or uses the product in an unsafe manner.

The Buyer is responsible to fully understand the capability and limitations of his/her vehicle according to manufacturer specifications, warnings and instructions and agrees to hold SuperATV® harmless from any damage resulting from failure to adhere to such specifications, warnings and/ or instructions. The Buyer is also responsible to obey all applicable federal, state, and local laws when operating his/her vehicle while using this product, and the Buyer agrees to hold SuperATV® harmless from any violation thereof.

**Installation.** The installation of this product on your vehicle indicates that you have had the opportunity to inquire about applicable local, state, and federal laws and ordinances and that you have read and understand, and accept all of the terms of, this Disclaimer.

SuperATV® shall not be responsible for the proper installation, use, and service of this product. Rather, the Buyer shall be solely responsible for the installation of the product and any damage that may be done to the vehicle or vehicle components as a result of modifications made by the Buyer.

- **Remove Shipping Plug from Heater.**

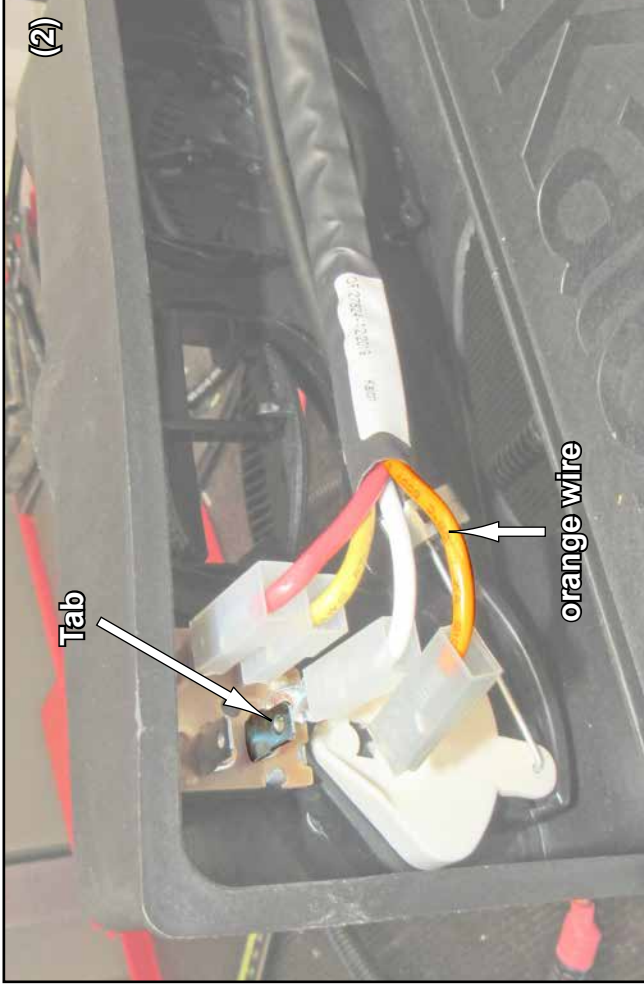


**Verify wiring shown below is connected before installing.**

- Open Vent, insert finger, and pull Controls away from Base.



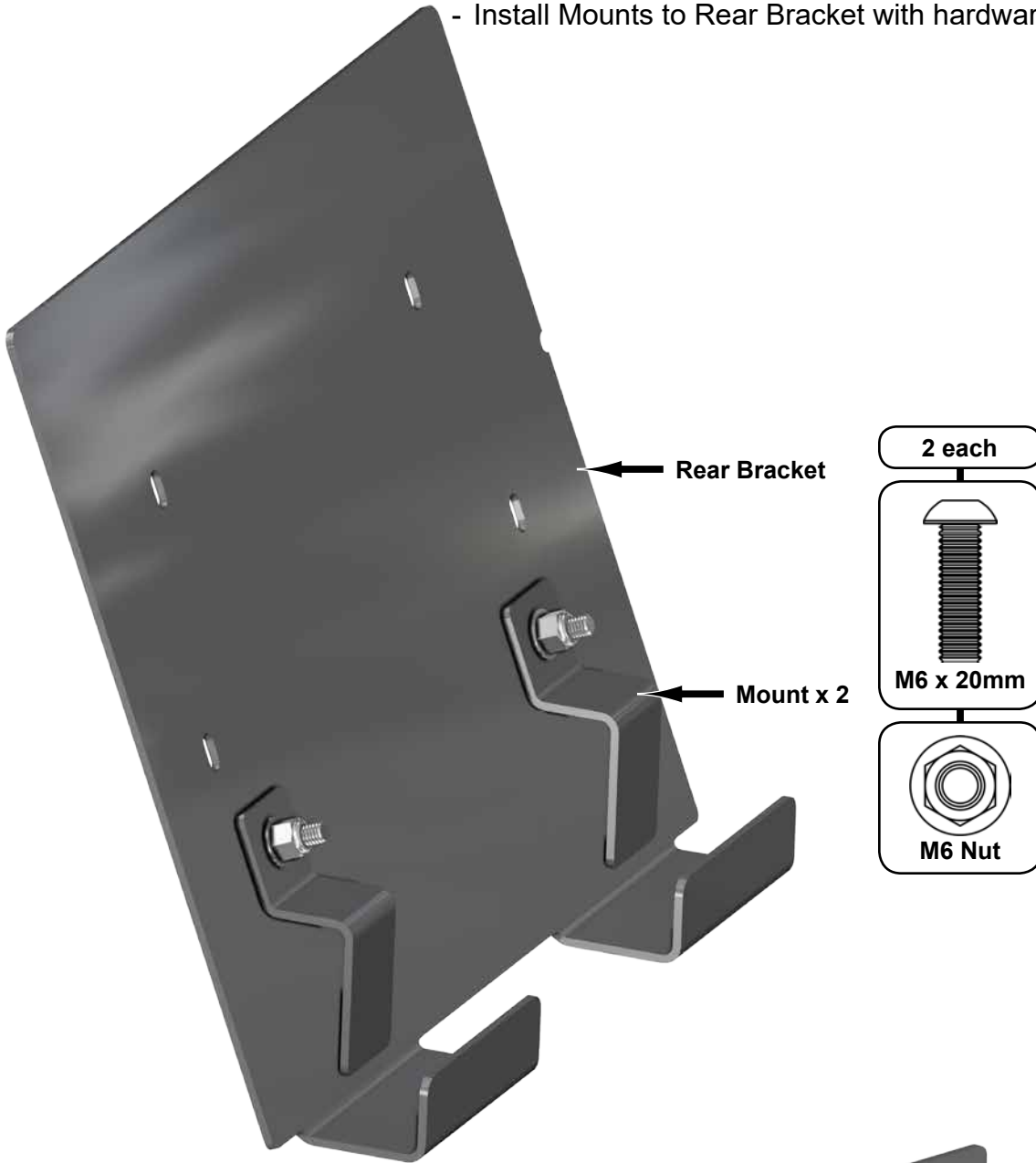
- If not connected, connect orange wire to Tab shown.



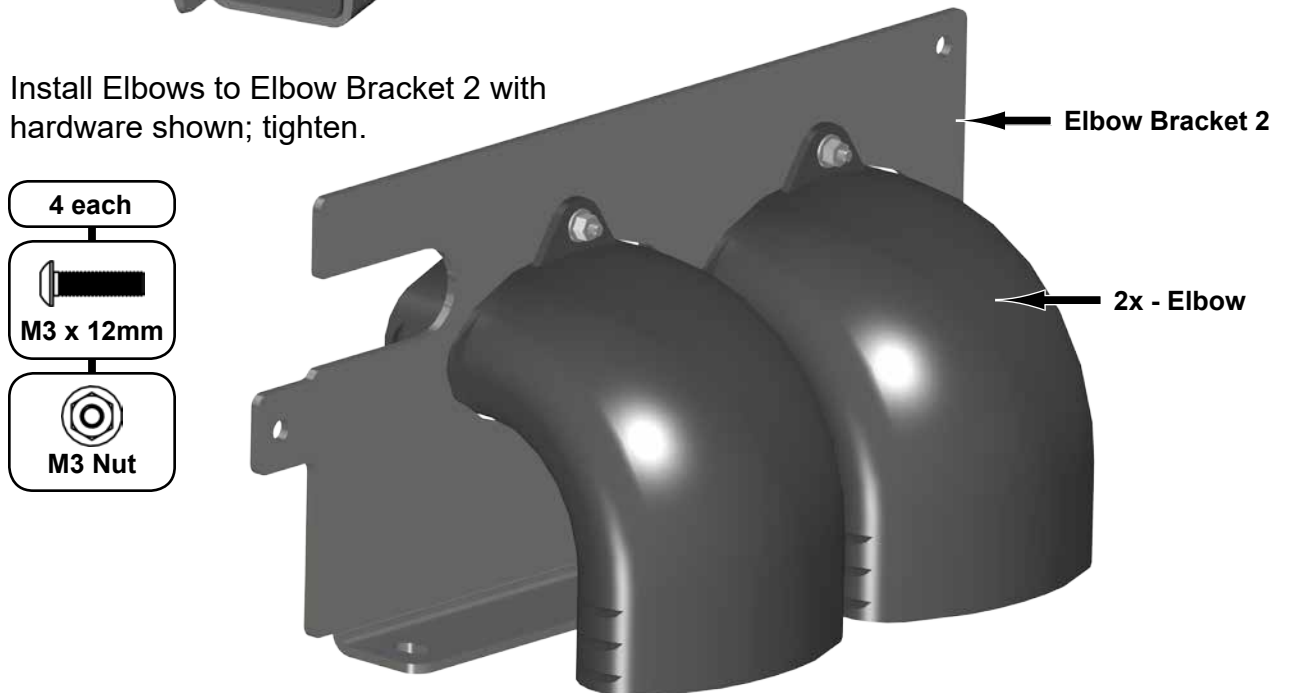
- Verify that all connections shown are connected and secure.



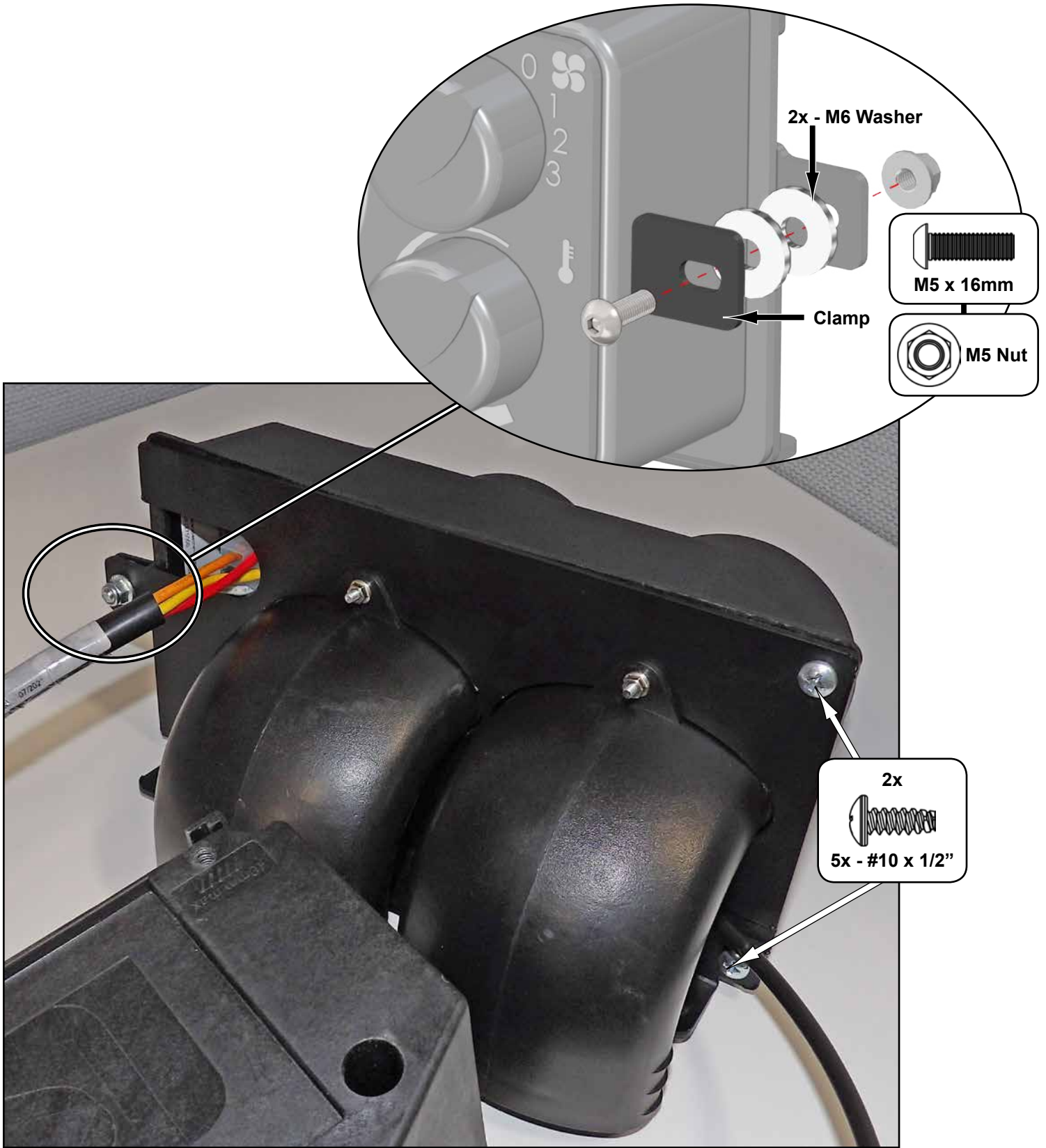
- Install Mounts to Rear Bracket with hardware shown; tighten.



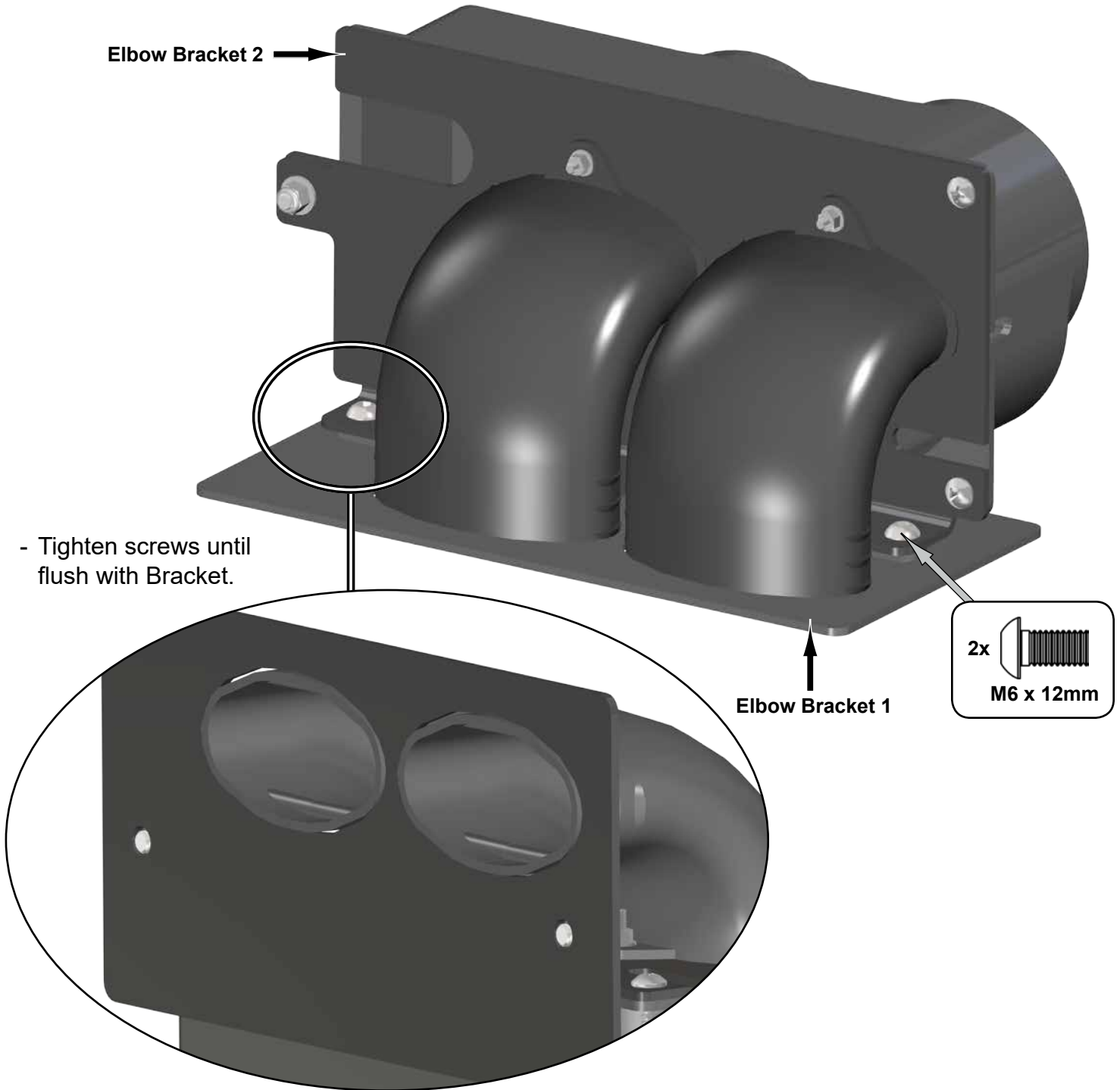
- Install Elbows to Elbow Bracket 2 with hardware shown; tighten.



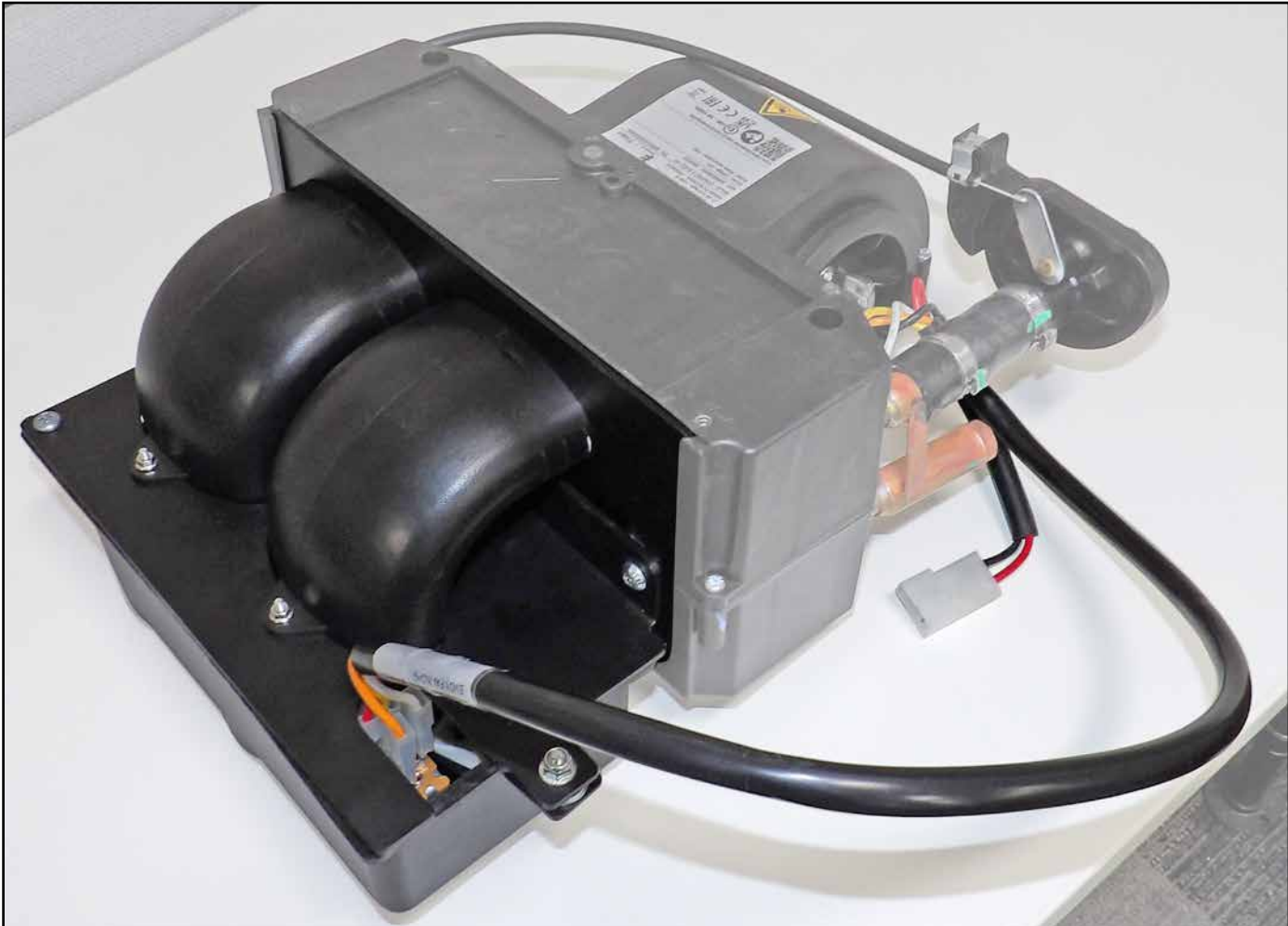
- Install Elbow Bracket 2 to Controls with hardware shown; tighten.



- Install Elbow Bracket 1 to Elbow Bracket 2 with hardware shown; do not tighten.

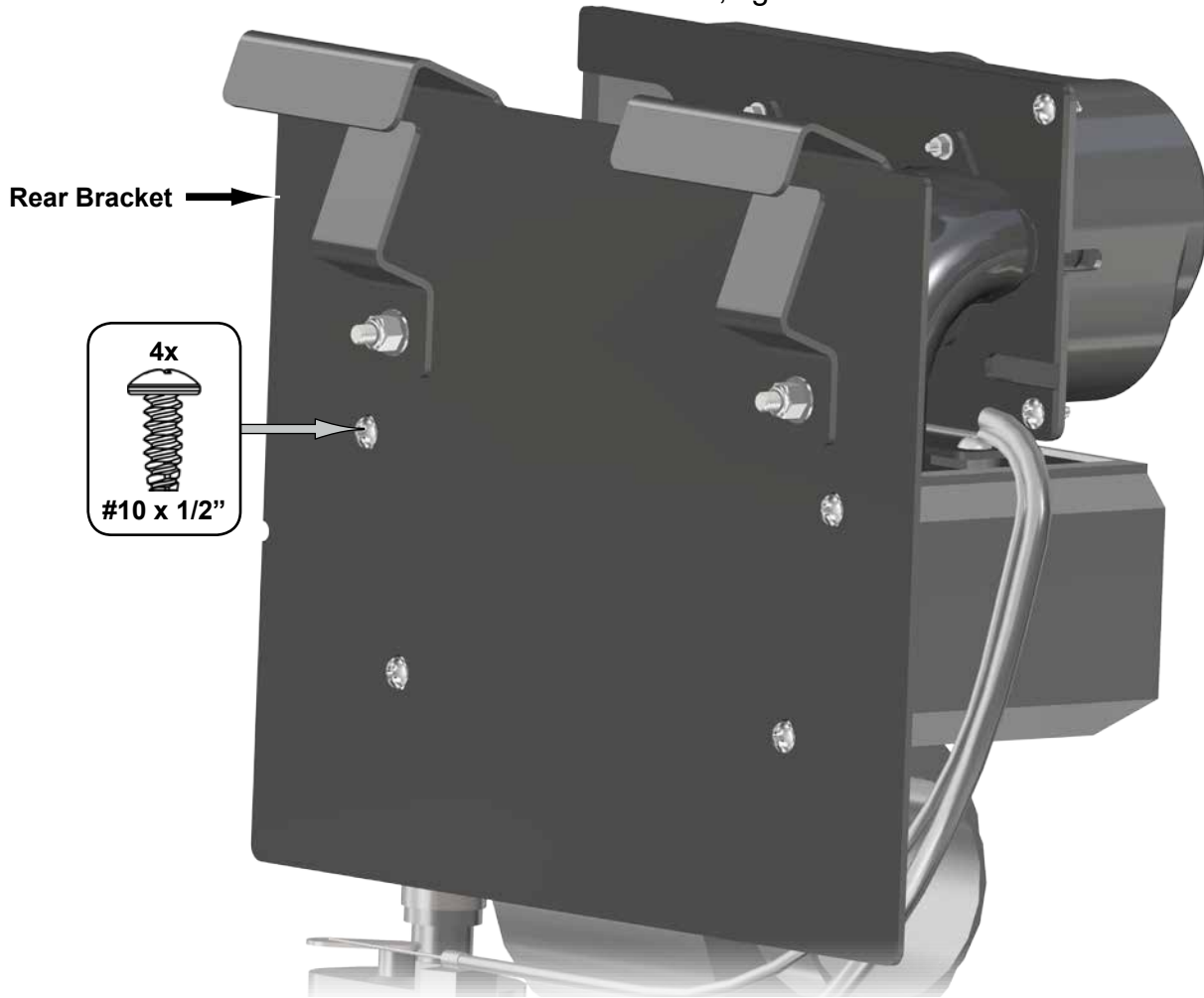


- Slide Elbow Bracket 1 into Heater.
- Tighten Elbow Bracket 1 hardware.

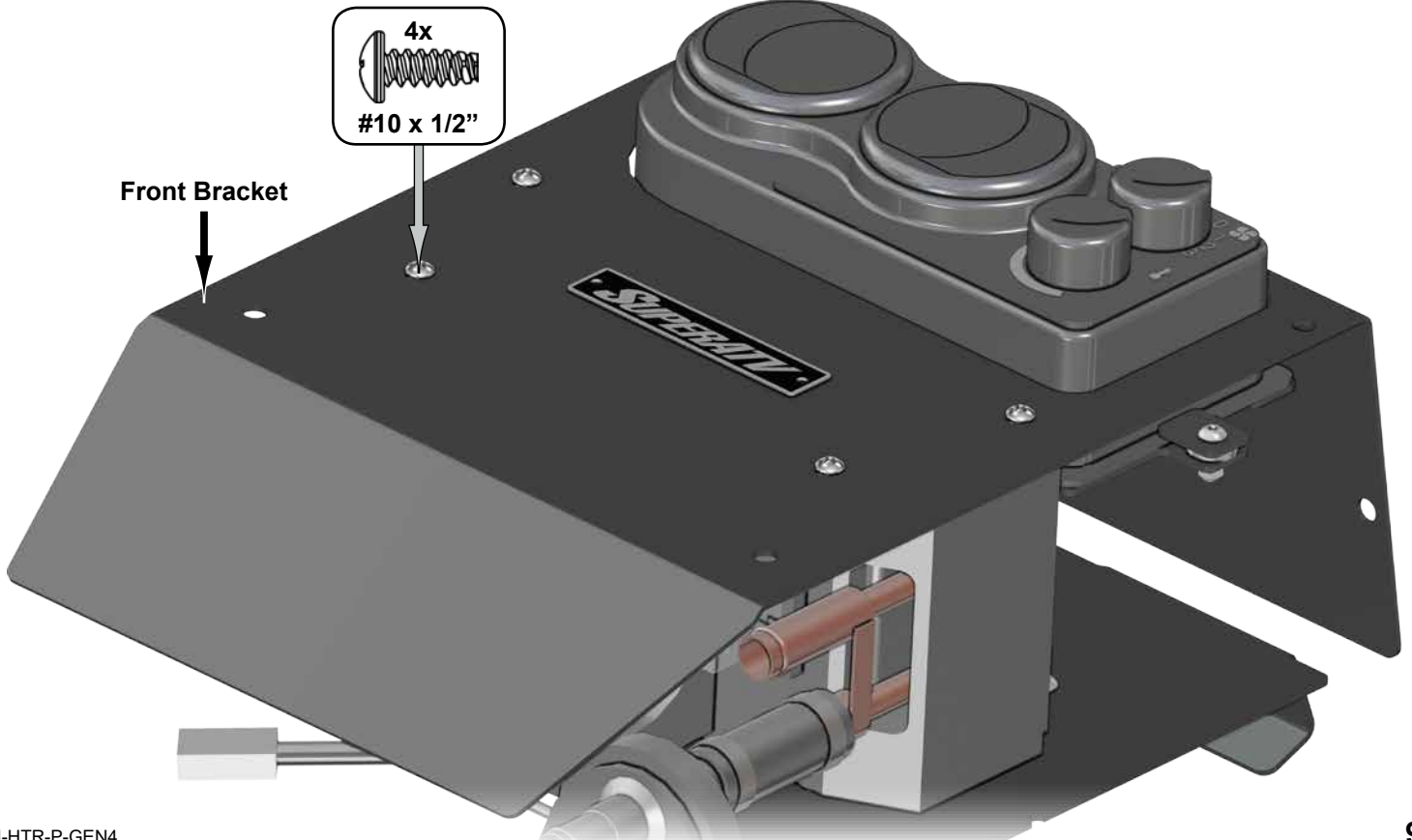




- Install Rear Bracket to Heater with hardware shown; tighten.

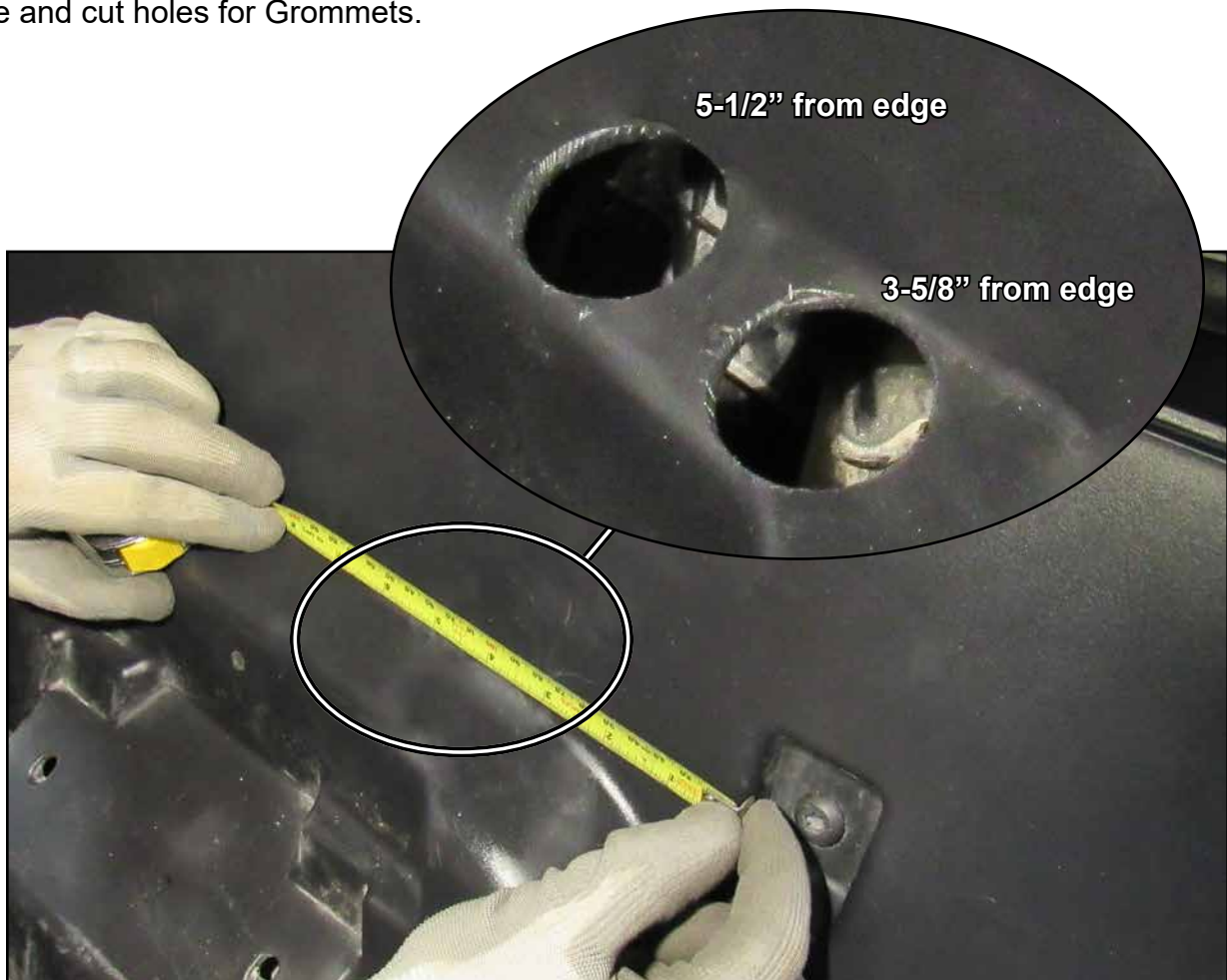


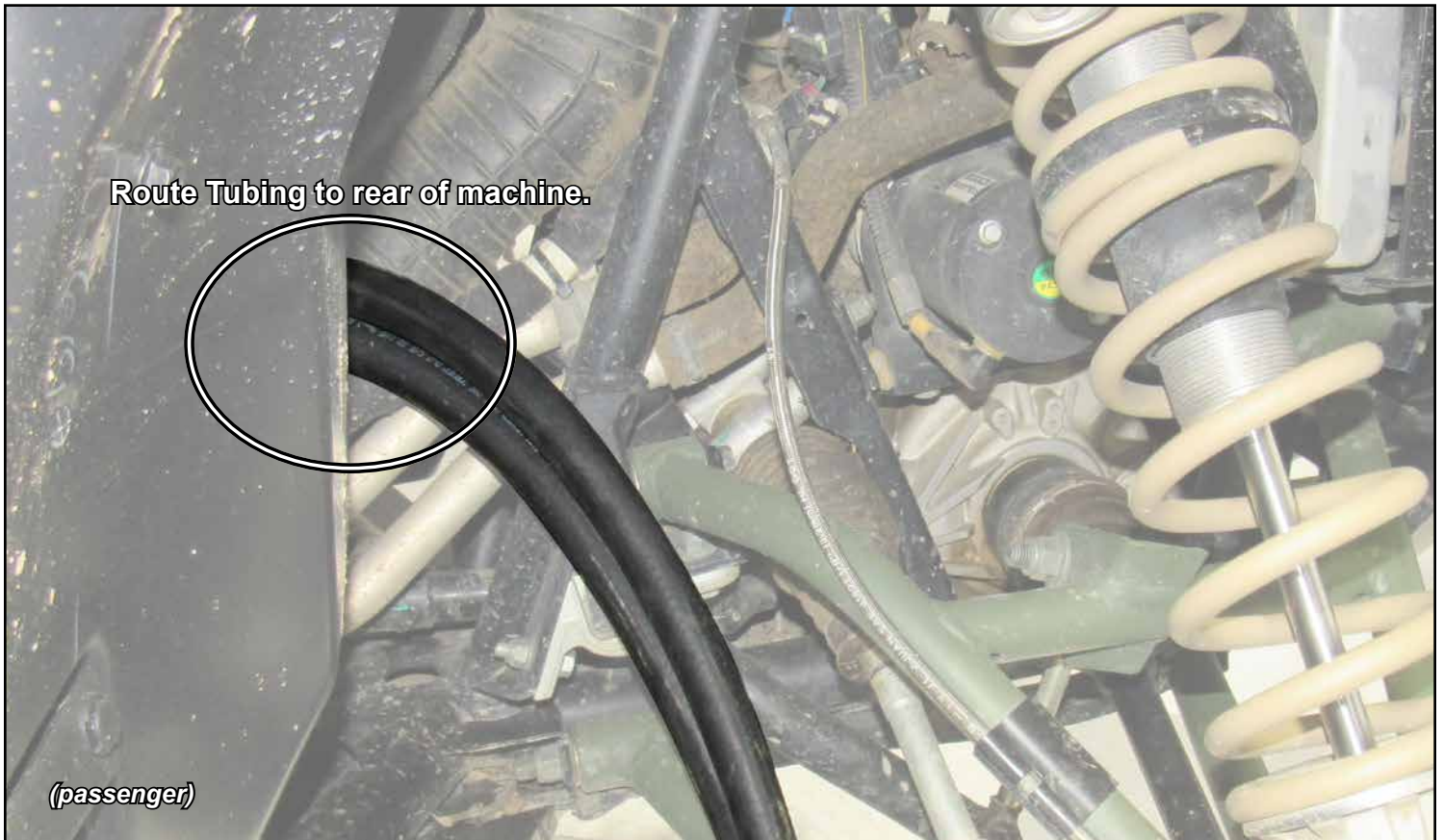
- Install Front Bracket to Heater with hardware shown; tighten.





- Measure and cut holes for Grommets.





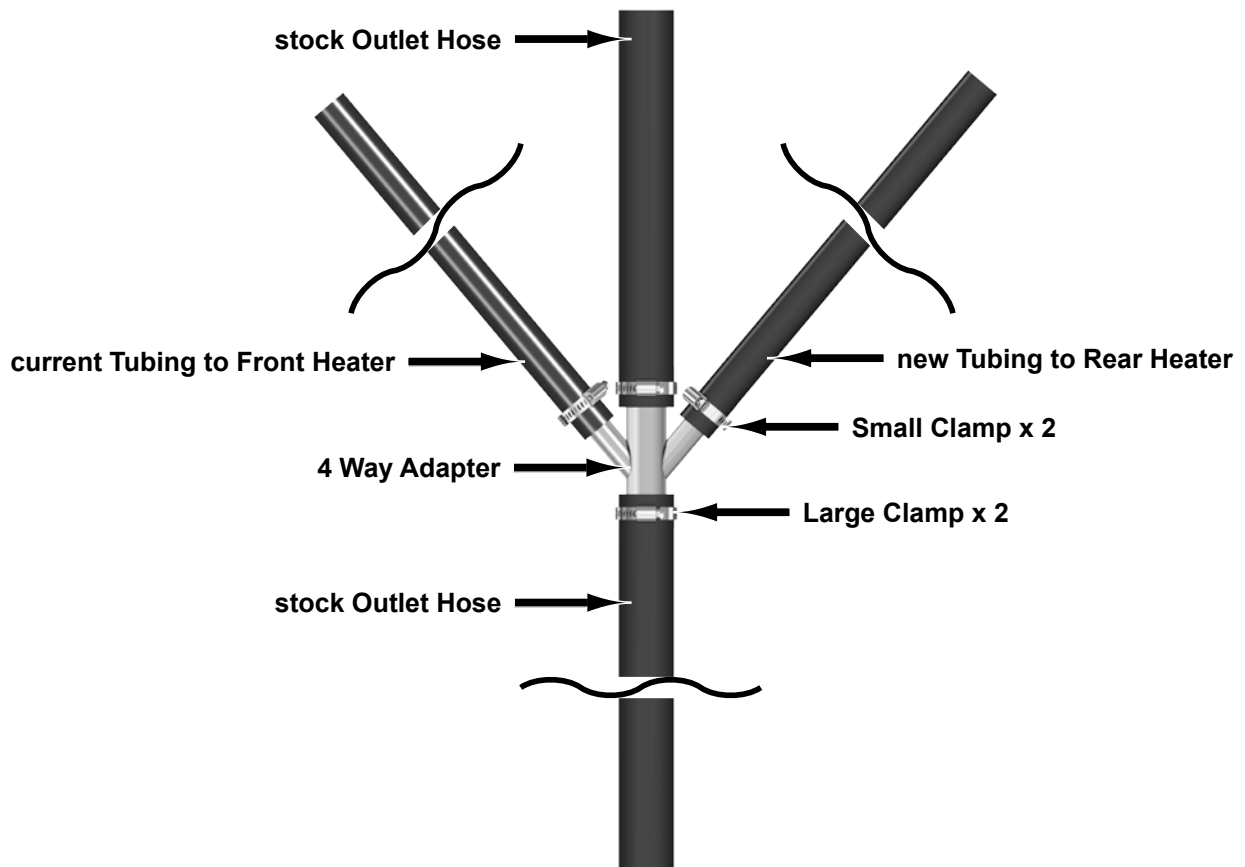
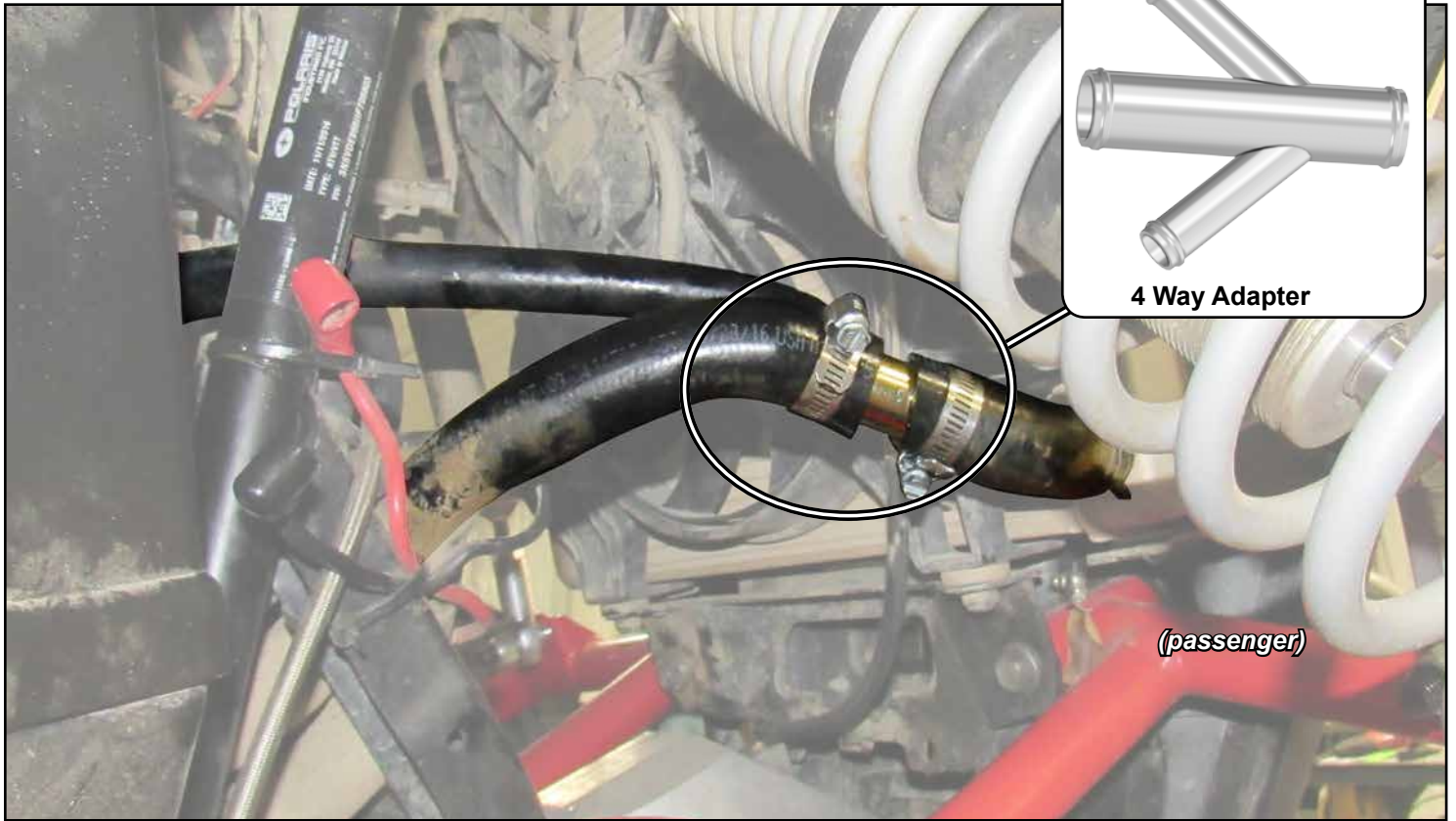


- Install Grommets into holes.
- Insert Tubing through Grommets and install Small Clamps onto Tubing; do not tighten.



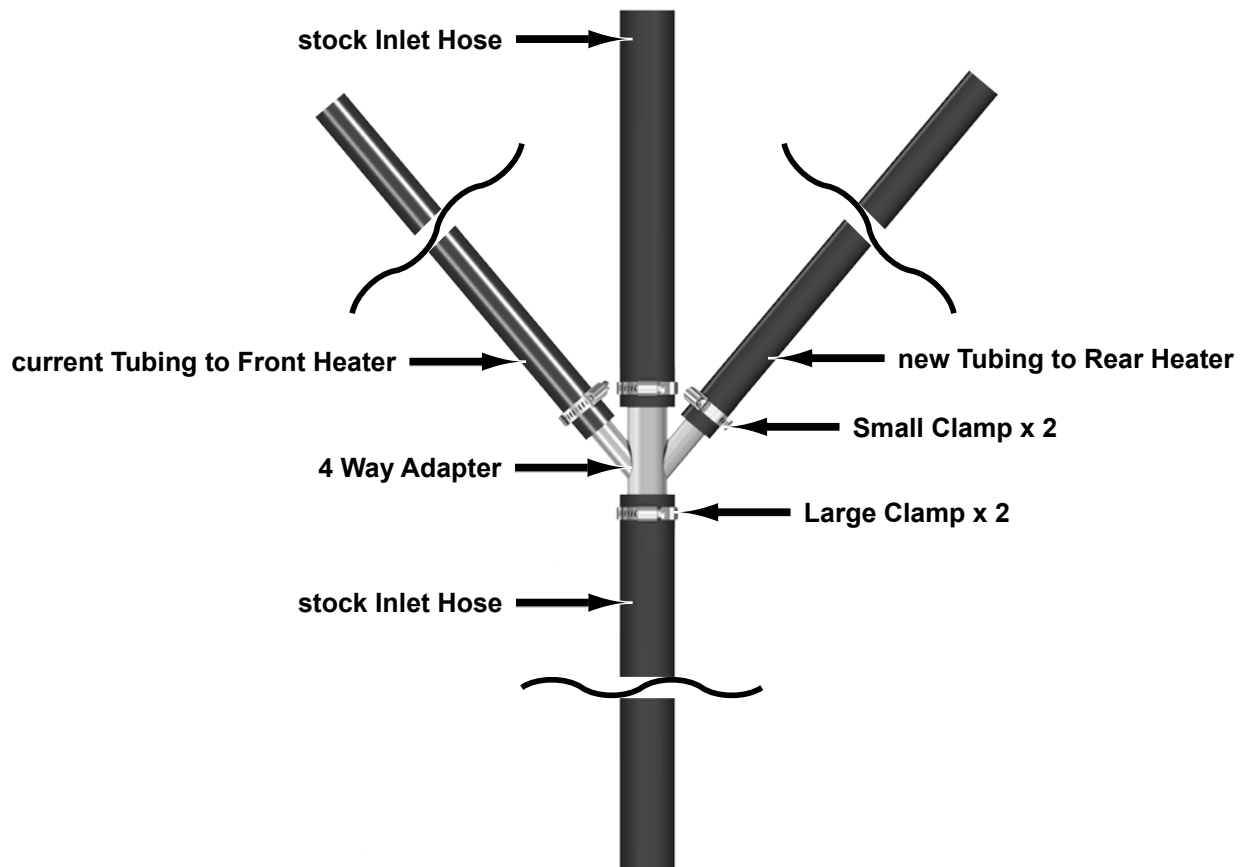
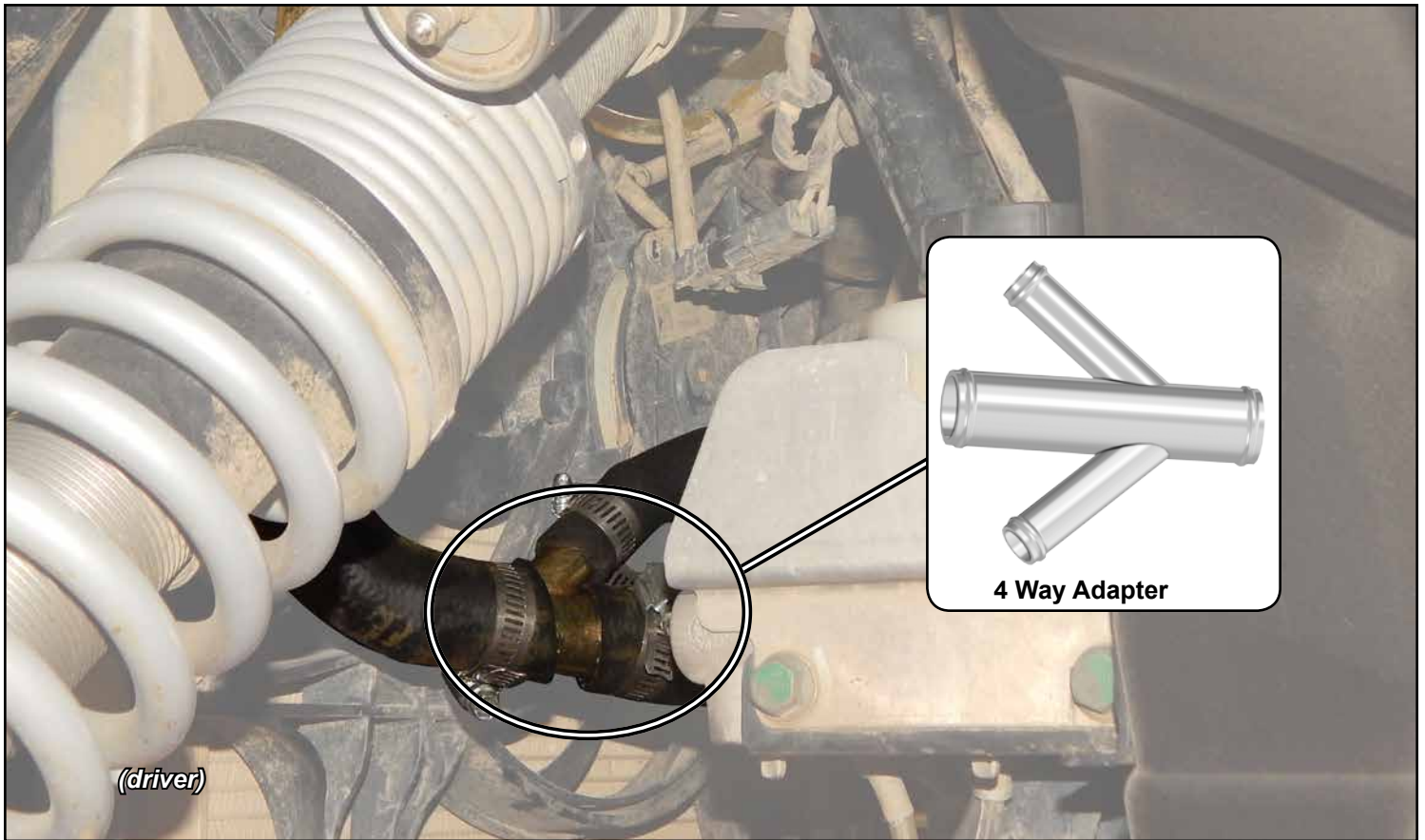
**IF NO FRONT HEATER IS PRESENT, OR NOT BEING INSTALLED AT THIS TIME,  
SEE PAGE 16 FOR REAR HEATER ONLY INSTALLATION.**

- Replace Adapter with 4 Way Adapter. Secure with Large Clamps.
- See below illustration for Hose and Tubing connections.

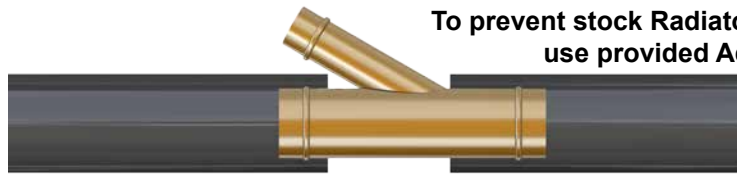


**IF NO FRONT HEATER IS PRESENT, OR NOT BEING INSTALLED AT THIS TIME,  
SEE PAGE 17 FOR REAR HEATER ONLY INSTALLATION.**

- Replace Adapter with 4 Way Adapter. Secure with Large Clamps.
- See below illustration for Hose and Tubing connections.

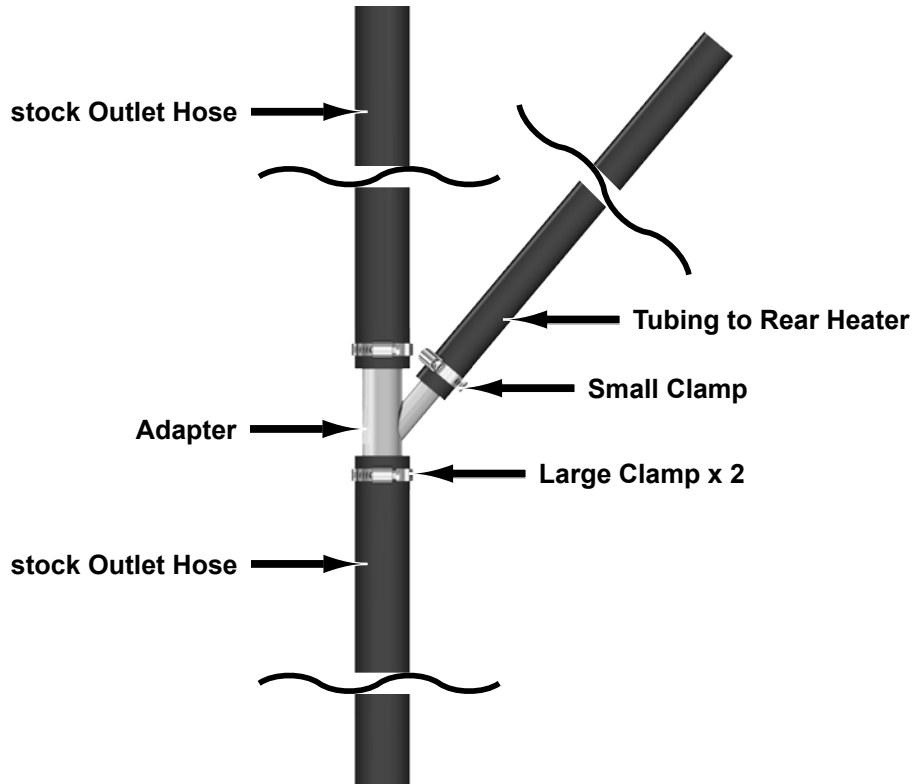
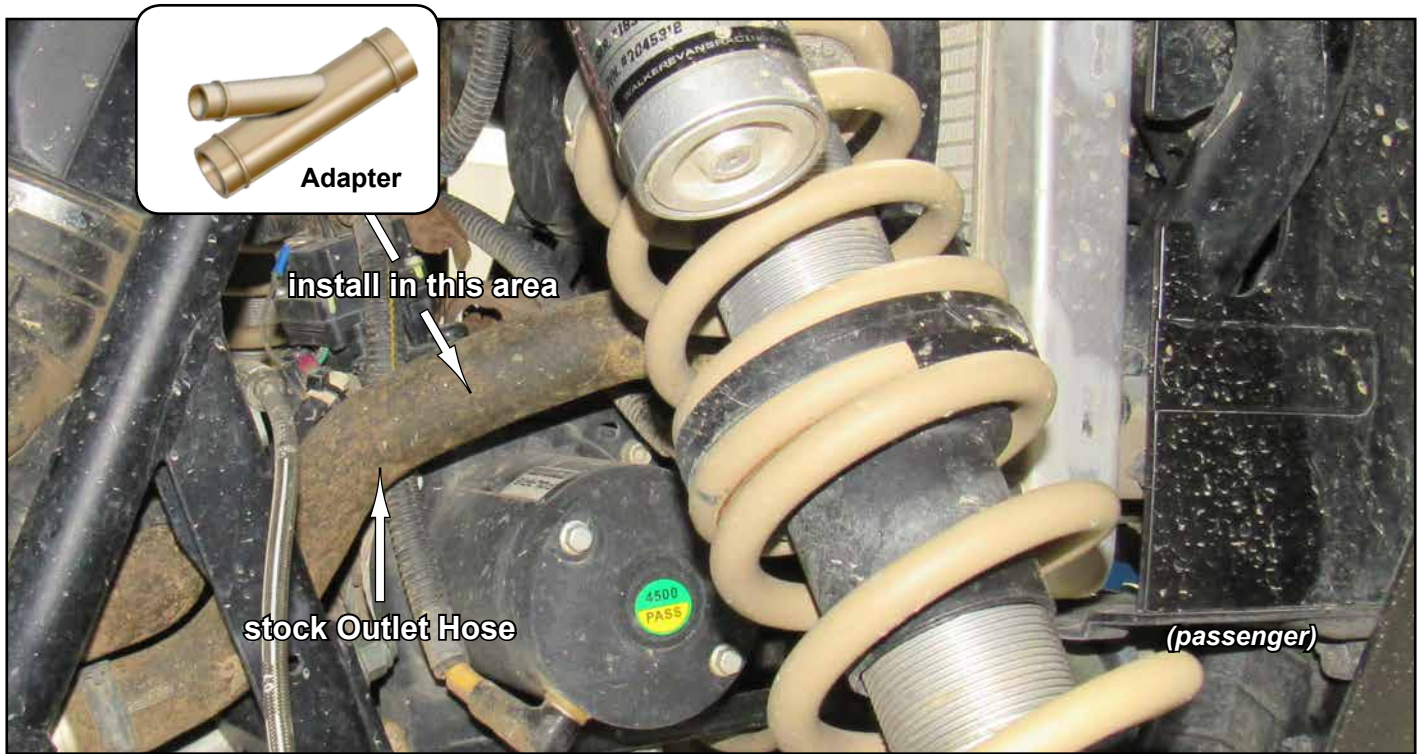


- Raise front of vehicle and place on jack stands.
- Remove Lower Radiator Hose and drain coolant.



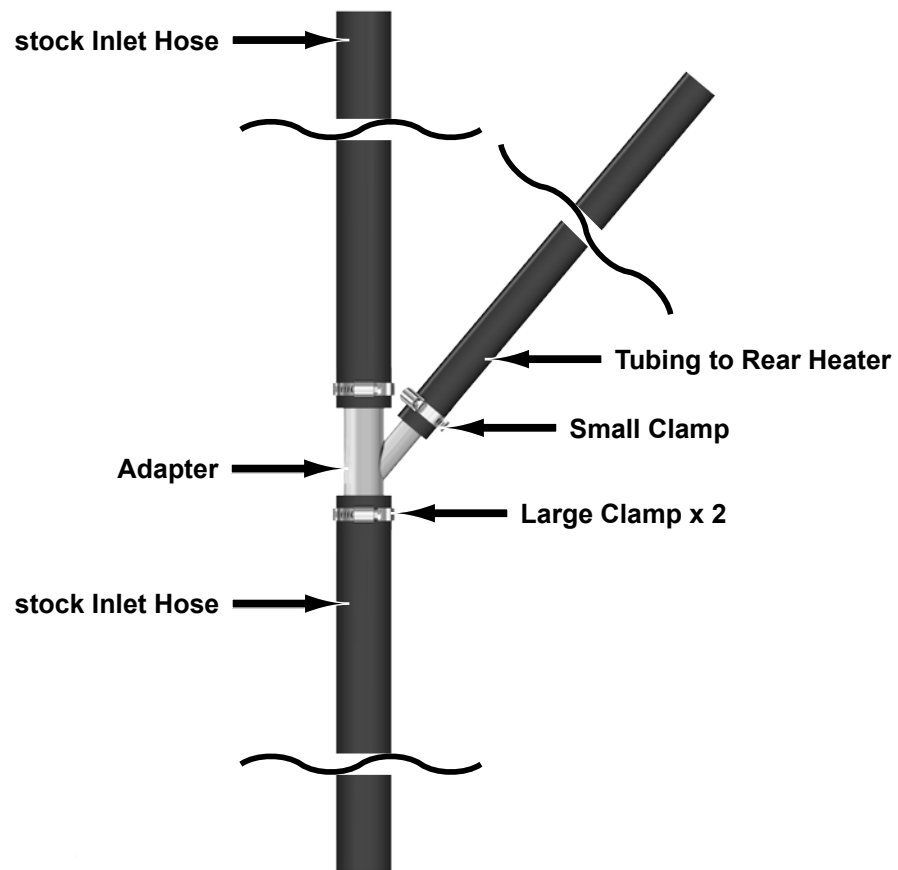
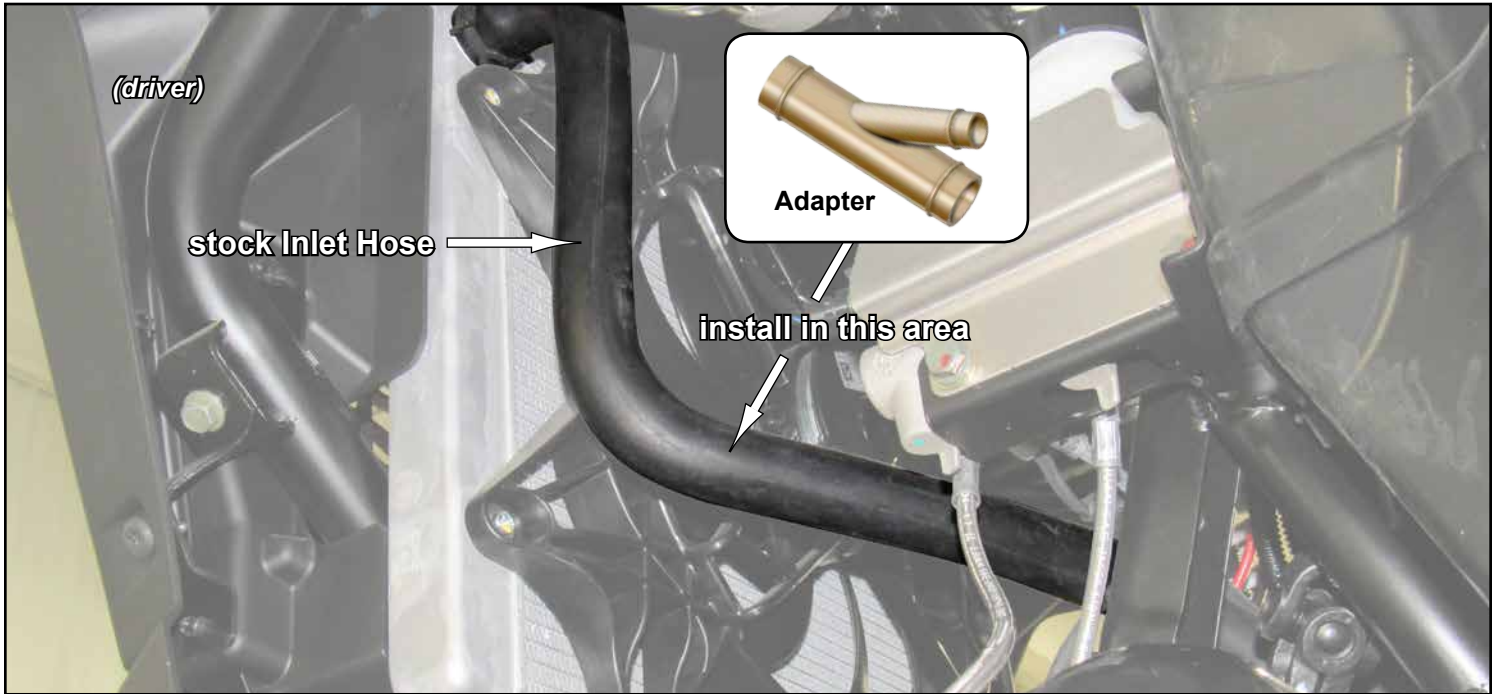
To prevent stock Radiator Hoses from being cut short, use provided Adapters as templates.

- Mark locations on stock Outlet Hose to be cut.
- Cut and install Adapter.
- Secure with provided Large Clamps.
- Connect new Tube to Adapter and secure with Small Clamp.

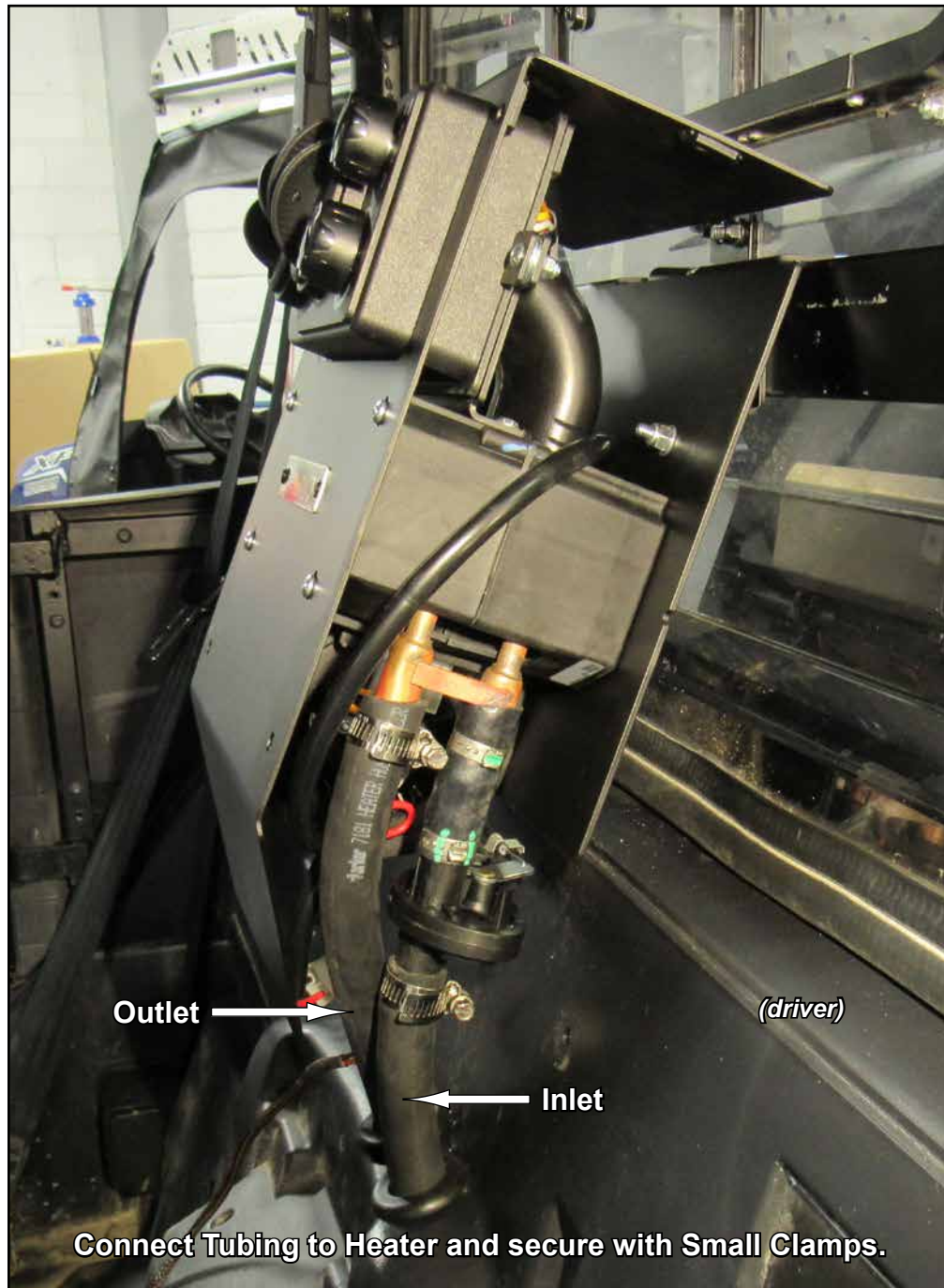
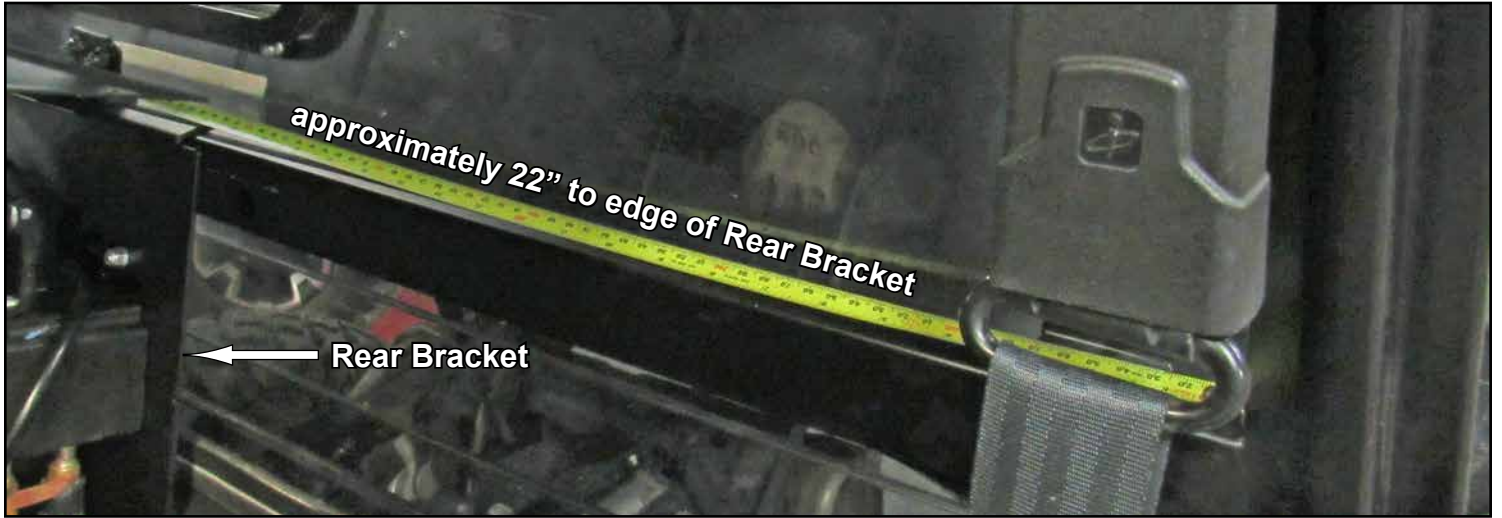




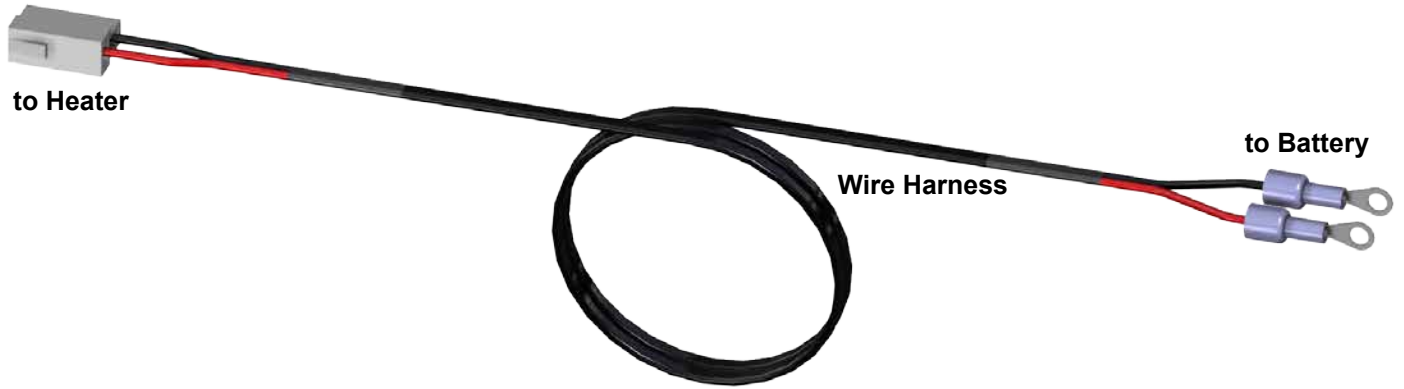
- Mark locations on stock Inlet Hose to be cut.
- Cut and install Adapter.
- Secure with provided Large Clamps.
- Connect new Tube to Adapter and secure with Small Clamp.



- Place assembly onto Frame in location shown.



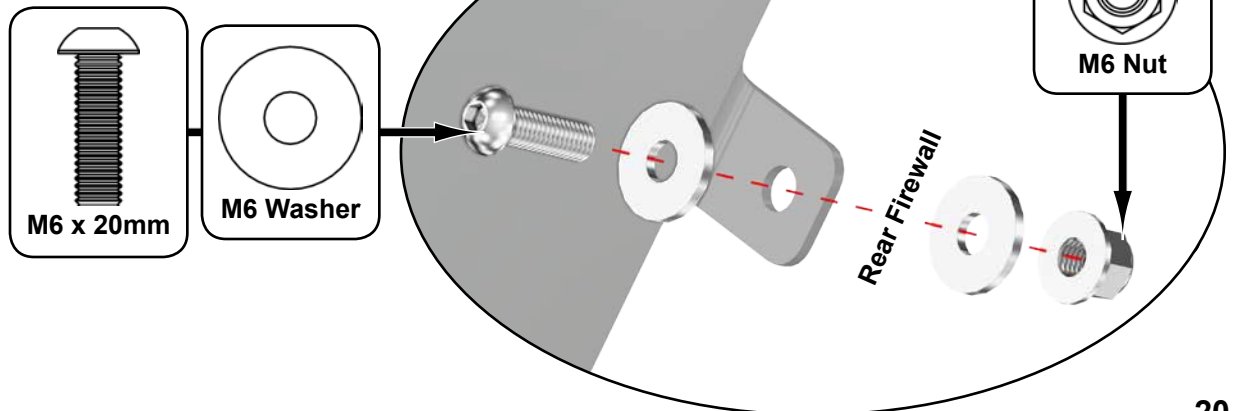
- Connect Wire Harness.



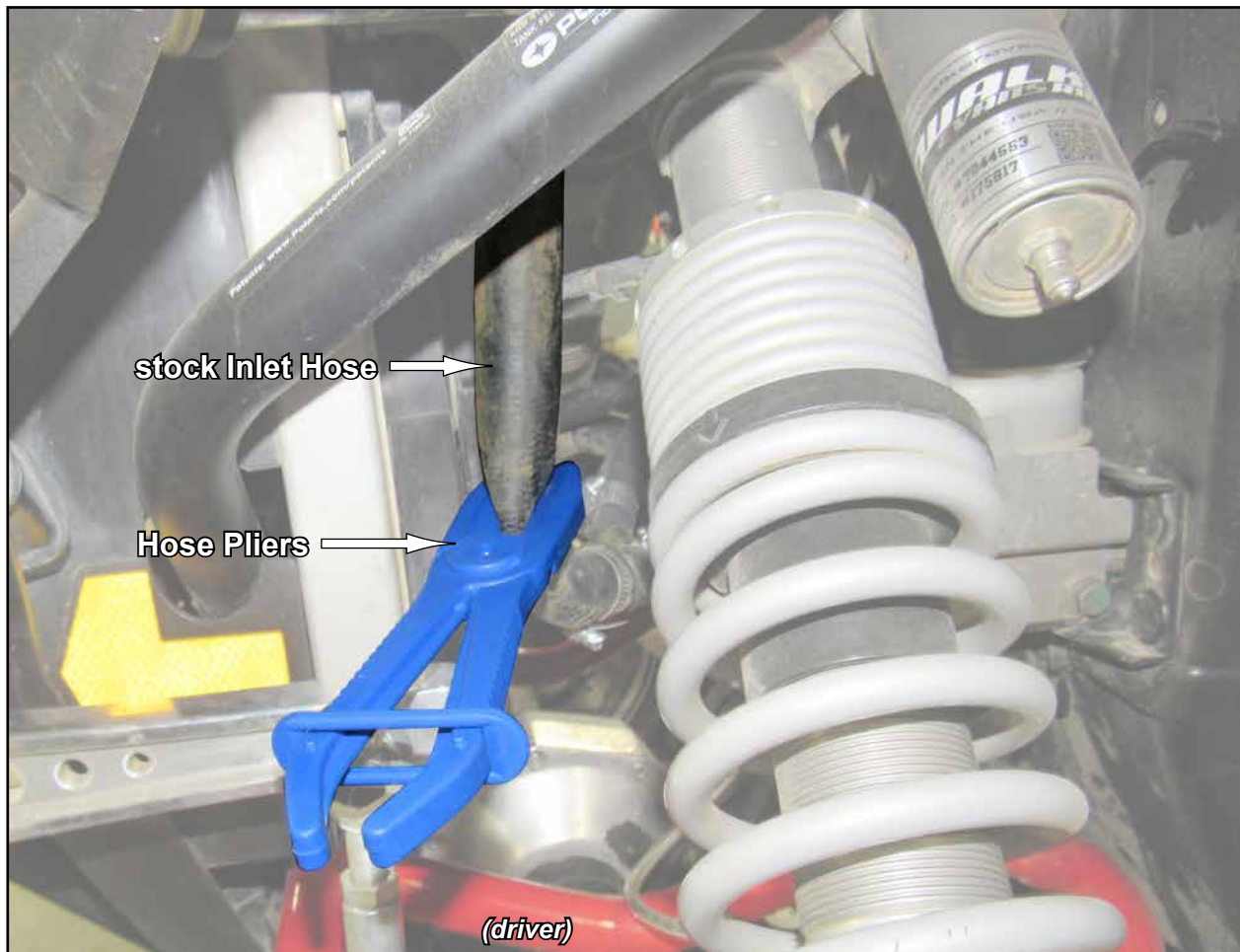
- Install Side - L to Front Bracket with hardware shown; snug but not tight.
- Mark lower hole location of Side - L onto Firewall.
- Remove Side - L and drill through plastic; hole large enough for Ø6mm bolt.
- Reinstall Side - L and repeat steps for Side - R.



- Secure Sides to Rear Firewall with hardware shown.
- Tighten all hardware.



- Place machine back on ground.
- Fill coolant level to manufacturers recommended setting.
- Start machine and run at 3000 RPM until engine is hot.
- Use provided Hose Pliers and pinch off Inlet Hose as shown below.



- Remove Hose Pliers after Radiator Fan turns ON.
- After Radiator Fan turns OFF, pinch Inlet Hose again and remove after Radiator Fan turns ON.
- Turn machine off and let engine completely cool; may take several hours.
- Check Coolant Level in Radiator and Reservoir; adjust as needed.
- Start machine and repeat "pinch" steps again.