

- Do not discard packaging until product has been successfully installed.



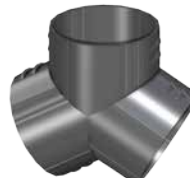
Wire Ties



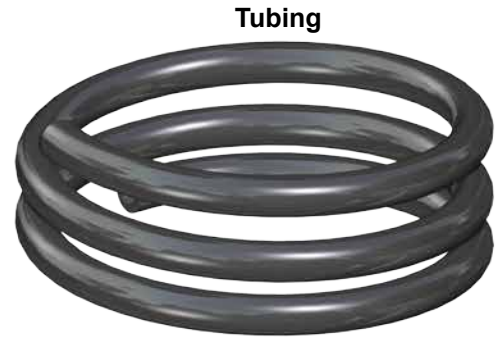
Ducting



Heater



Y Fitting x 2



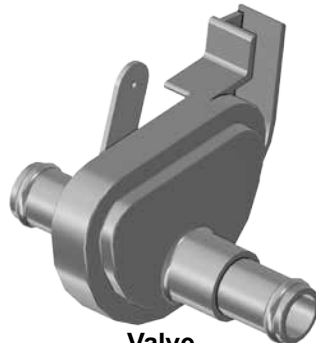
Tubing



6x Clamp



Vent x 4



Valve



Grommet



Knob



Adapter x 2



Switch



Hose Pliers

(kit contents continue on following page)

Need help with your installation?



sales@superatv.com



www.superatv.com



1-855-743-3427



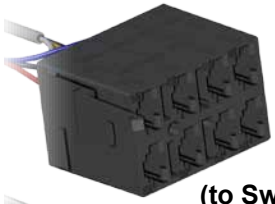
8:00am - 8:00pm EST M-Th
 8:00am - 7:00pm EST Friday
 9:00am - 2:00pm EST Saturday

Read instructions and view illustrations before beginning.

*Thank You
 For Choosing*

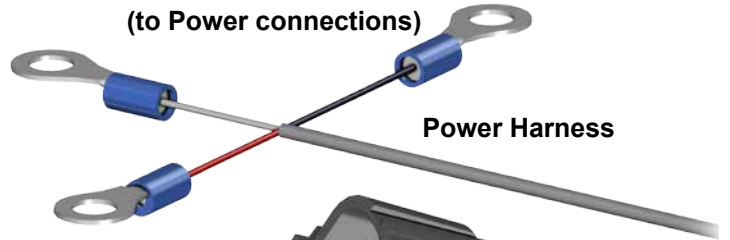


(kit contents continued)



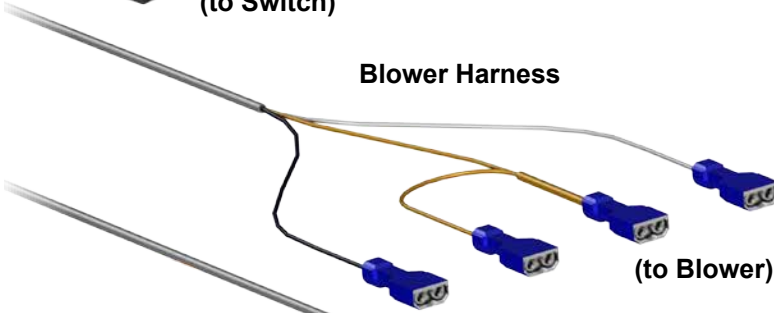
(to Switch)

(to Power connections)



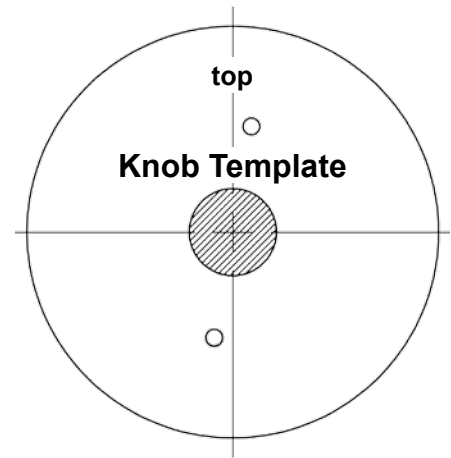
Power Harness

Blower Harness

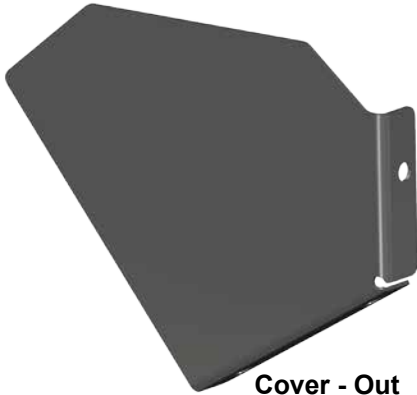


(to Blower)

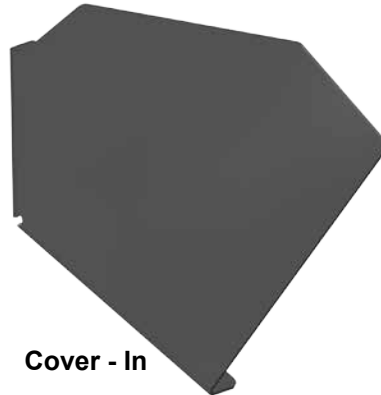
- Follow profile and cut out Knob Template.



Knob Template



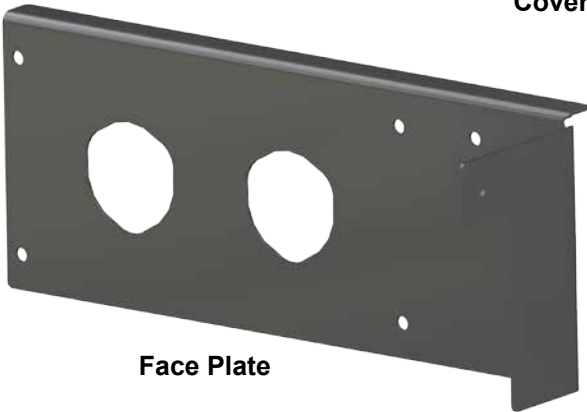
Cover - Out



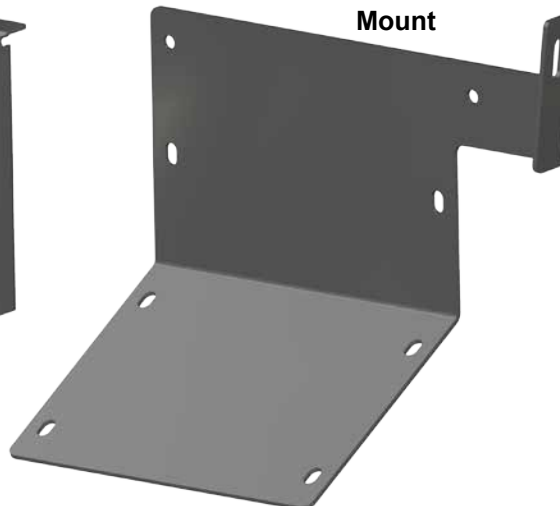
Cover - In



Clamp



Face Plate



Mount

- ***Tubing and Duct lengths are SuperATV recommended. User may install components in other locations. Verify lengths before final installation.***
- ***Check behind areas being drilled for interference.***
- ***Avoid burns and scalding by working on cool vehicles.***
- ***Secure components away from rotating objects.***
- ***Do not tighten mounting hardware until all components are in place.***
- ***Use manufacturers recommended coolant.***
- ***Avoid sharp bends when installing Tubing.***
- ***Verify that no leaks are present after installation.***

CUSTOMER NOTIFICATION AND DISCLAIMER LIABILITY

This product is a modification for utility task vehicles and all terrain vehicles. Use this product at your own risk.

Warranty and Liability Limitations. The Buyer hereby assumes all risks associated with the use and/or installation of this product. Buyer waives all liability claims against SuperATV® of any kind or nature, including, but not limited to, liability for penalties, fines, property damage, personal injury or death, to the fullest extent permitted by law. Buyer acknowledges and agrees that SuperATV® is not liable for any direct, indirect, incidental, consequential or special damages, including but not limited to, damage, loss of life, loss of property or equipment, loss of profits or revenue, injury, or claims from any individual or entity arising from the use of this product.

The warranty for this product, if any, may give you ("Buyer") specific legal rights, and Buyer may also have other rights which may vary from state to state. The installation of this product may void or otherwise adversely affect your factory warranty.

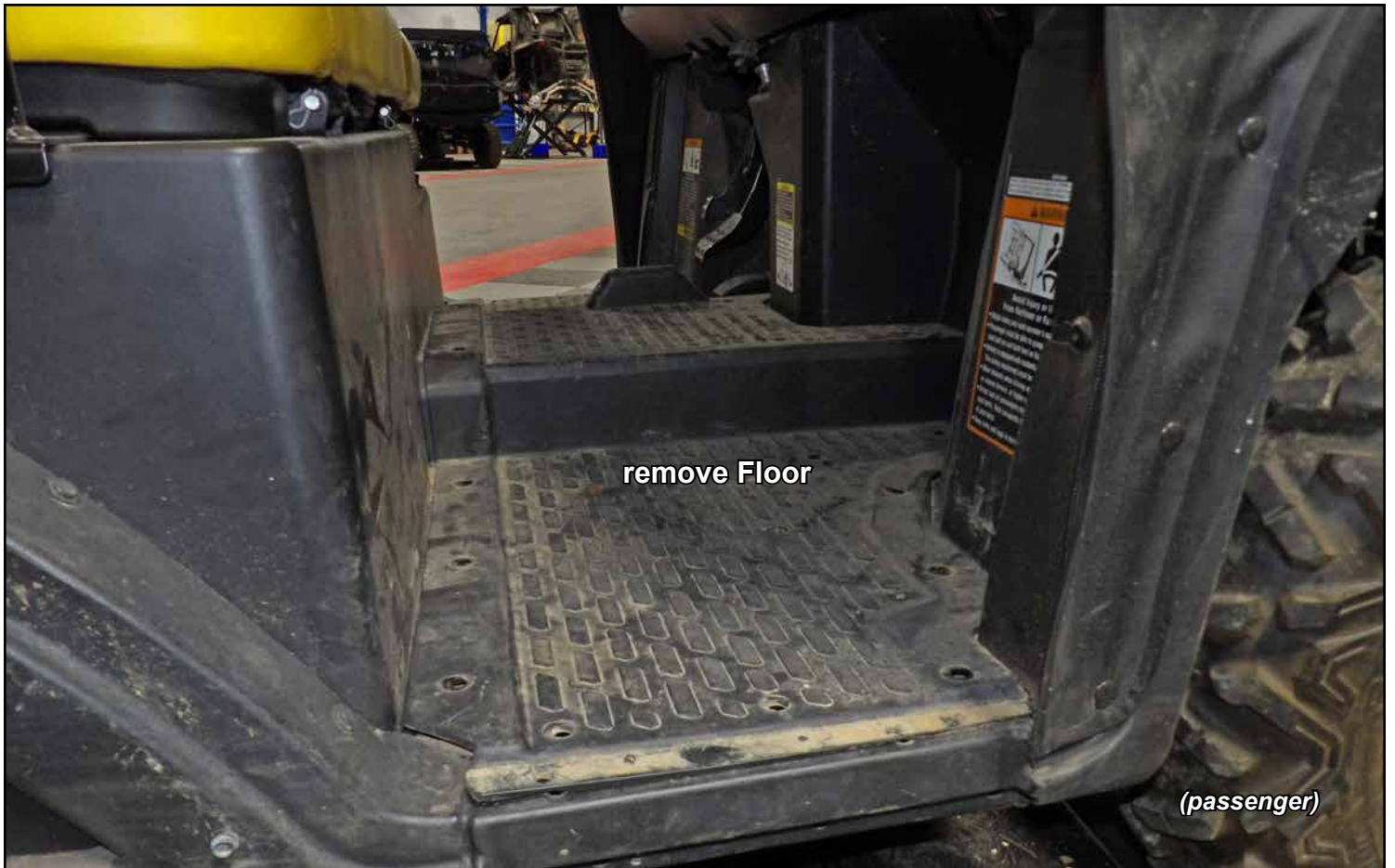
Consult your vehicle warranty before using this Product. Under no circumstances will SuperATV® be liable for the voidance of the Buyer's vehicle warranty. Buyer assumes all risk and responsibility if a manufacturer and/or dealer voids the Buyer's vehicle warranty due to use of this Product.

Safety and Laws. Operate your vehicle at all times in a safe manner. You must abide by all local, state, and federal laws, including but not limited to vehicle safety, traffic laws, and ordinances. It is your responsibility to know the laws and how they apply to you. The installation of this product may violate certain local, state, and federal laws. Be advised that laws vary depending on town, city, county, state, etc. Use of this product on public streets, roads, or highways may be in violation law. The Buyer is solely and exclusively legally and personally responsible for any violation of the law by the installation or use of this product. In no case will SuperATV® be held liable if Buyer violates the law or uses the product in an unsafe manner.

The Buyer is responsible to fully understand the capability and limitations of his/her vehicle according to manufacturer specifications, warnings and instructions and agrees to hold SuperATV® harmless from any damage resulting from failure to adhere to such specifications, warnings and/ or instructions. The Buyer is also responsible to obey all applicable federal, state, and local laws when operating his/her vehicle while using this product, and the Buyer agrees to hold SuperATV® harmless from any violation thereof.

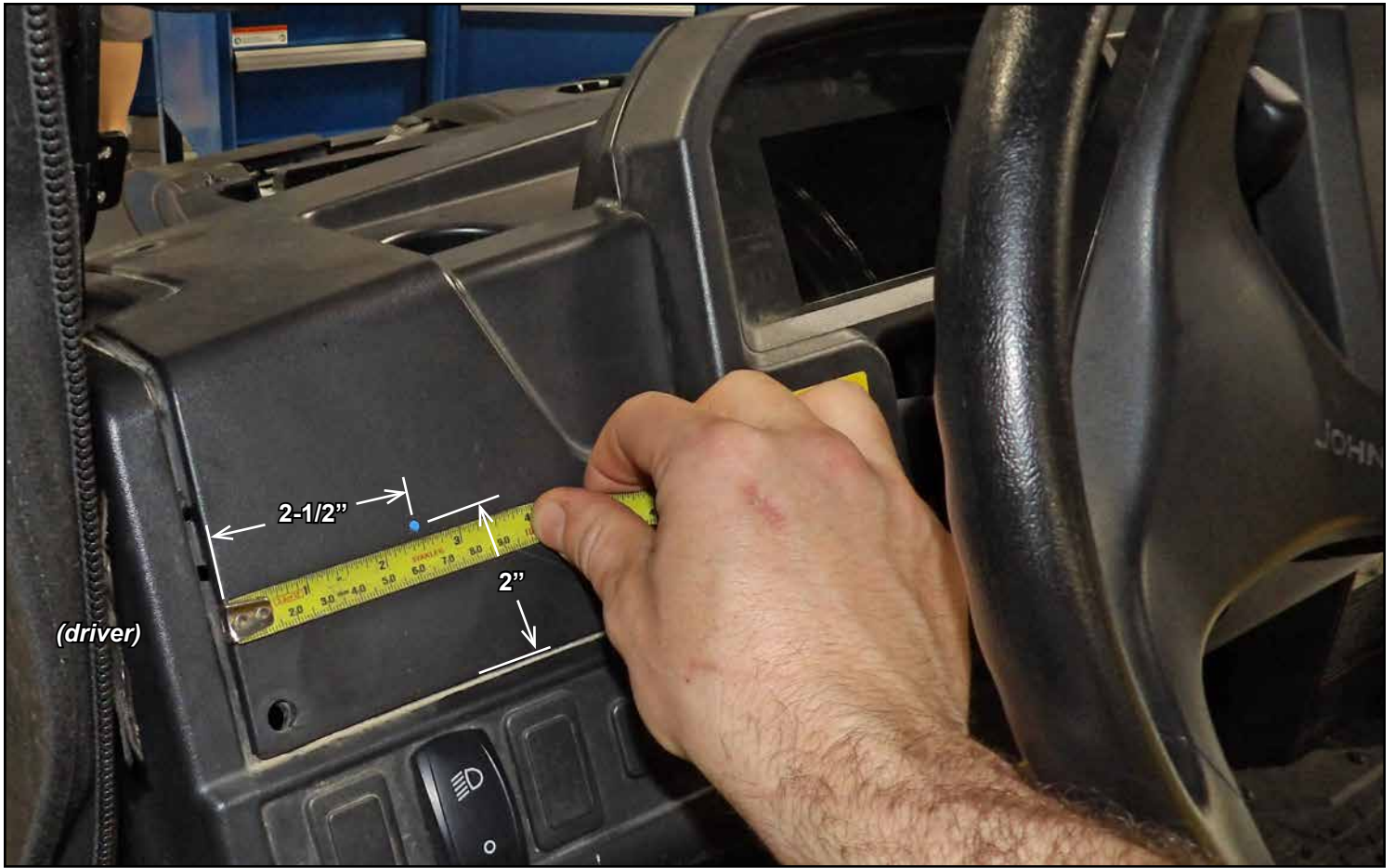
Installation. The installation of this product on your vehicle indicates that you have had the opportunity to inquire about applicable local, state, and federal laws and ordinances and that you have read and understand, and accept all of the terms of, this Disclaimer.

SuperATV® shall not be responsible for the proper installation, use, and service of this product. Rather, the Buyer shall be solely responsible for the installation of the product and any damage that may be done to the vehicle or vehicle components as a result of modifications made by the Buyer.

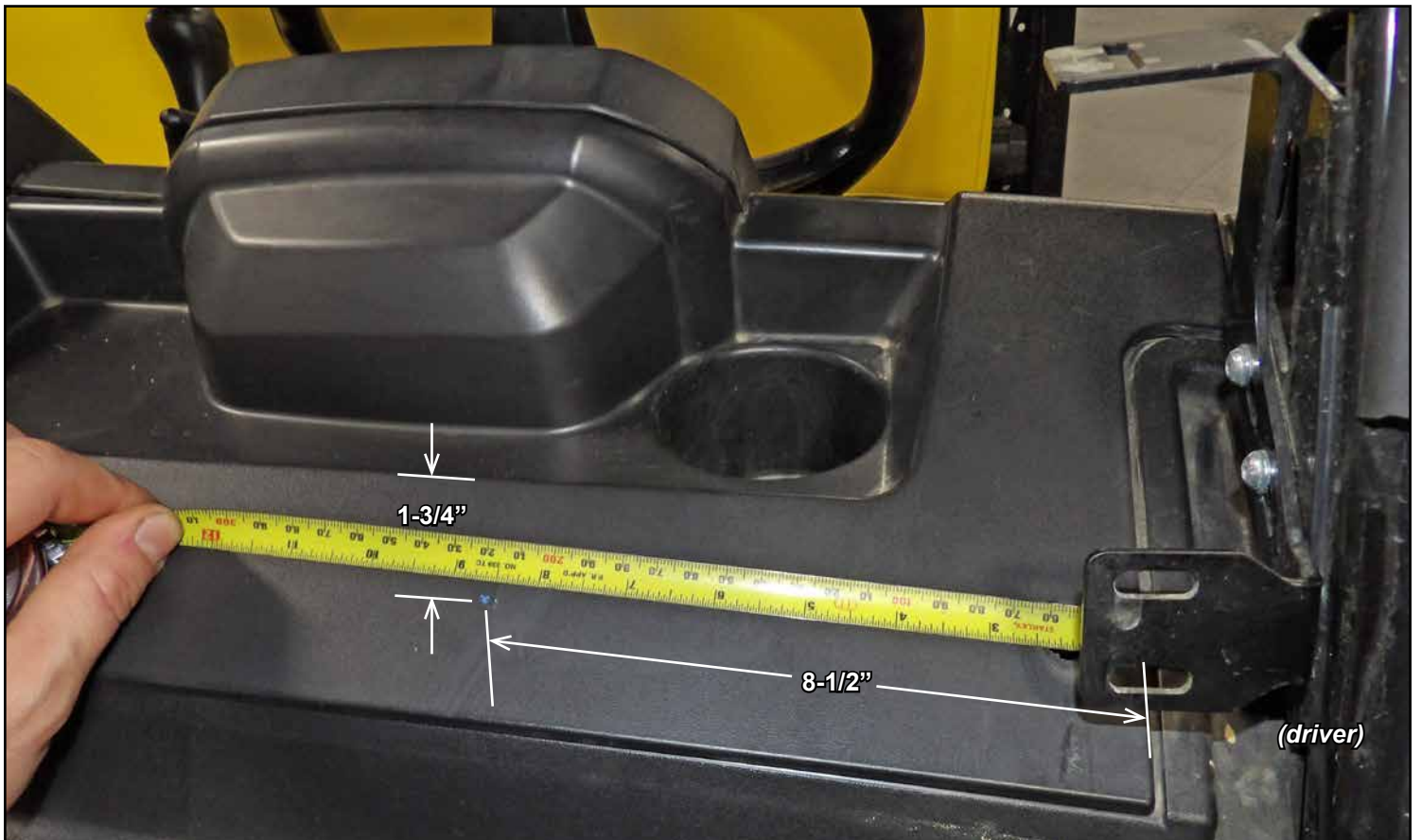


Reinstall components after installation is complete.

- Mark location for Vent onto Dash. Repeat for passenger side.



- Mark location for Vent onto top of Dash. Repeat for passenger side.



- Separate Vents.

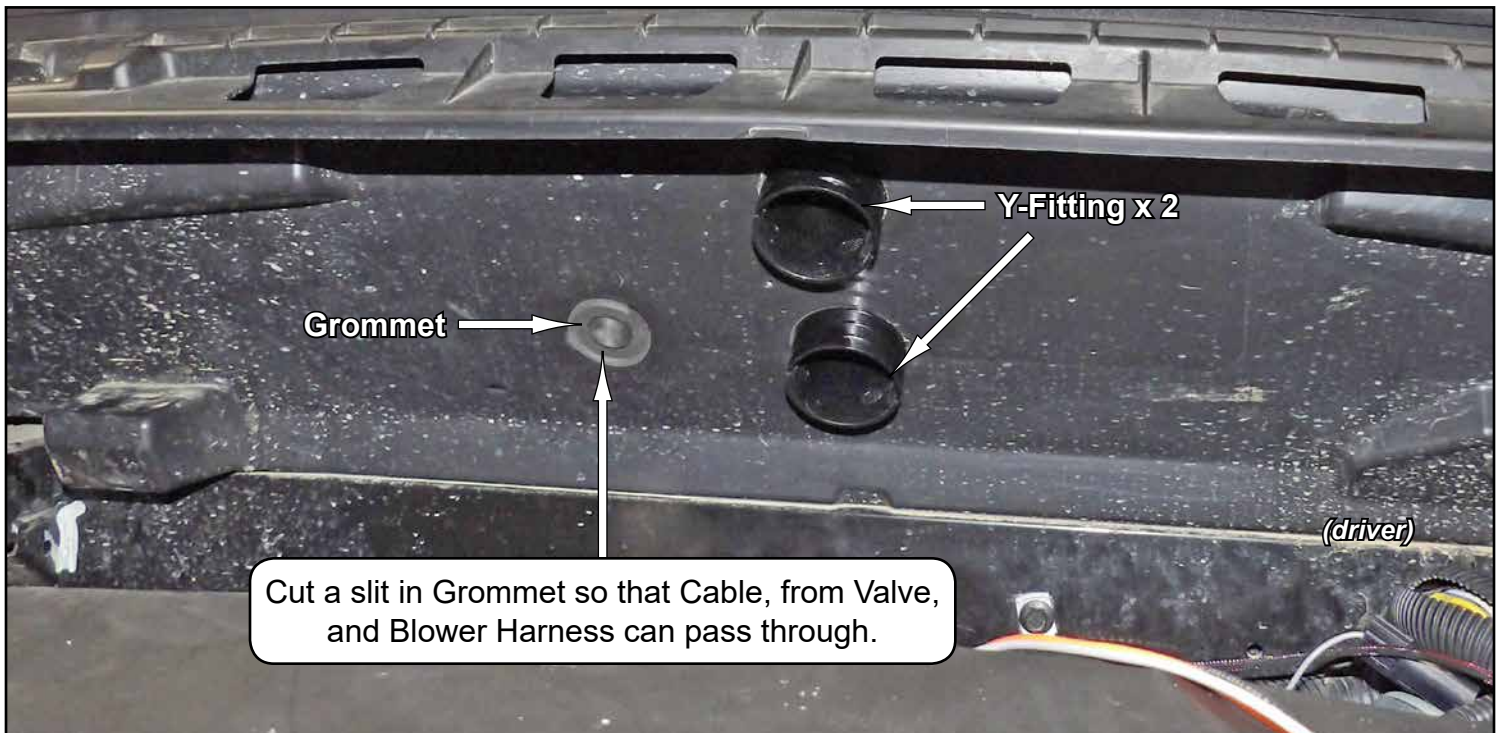


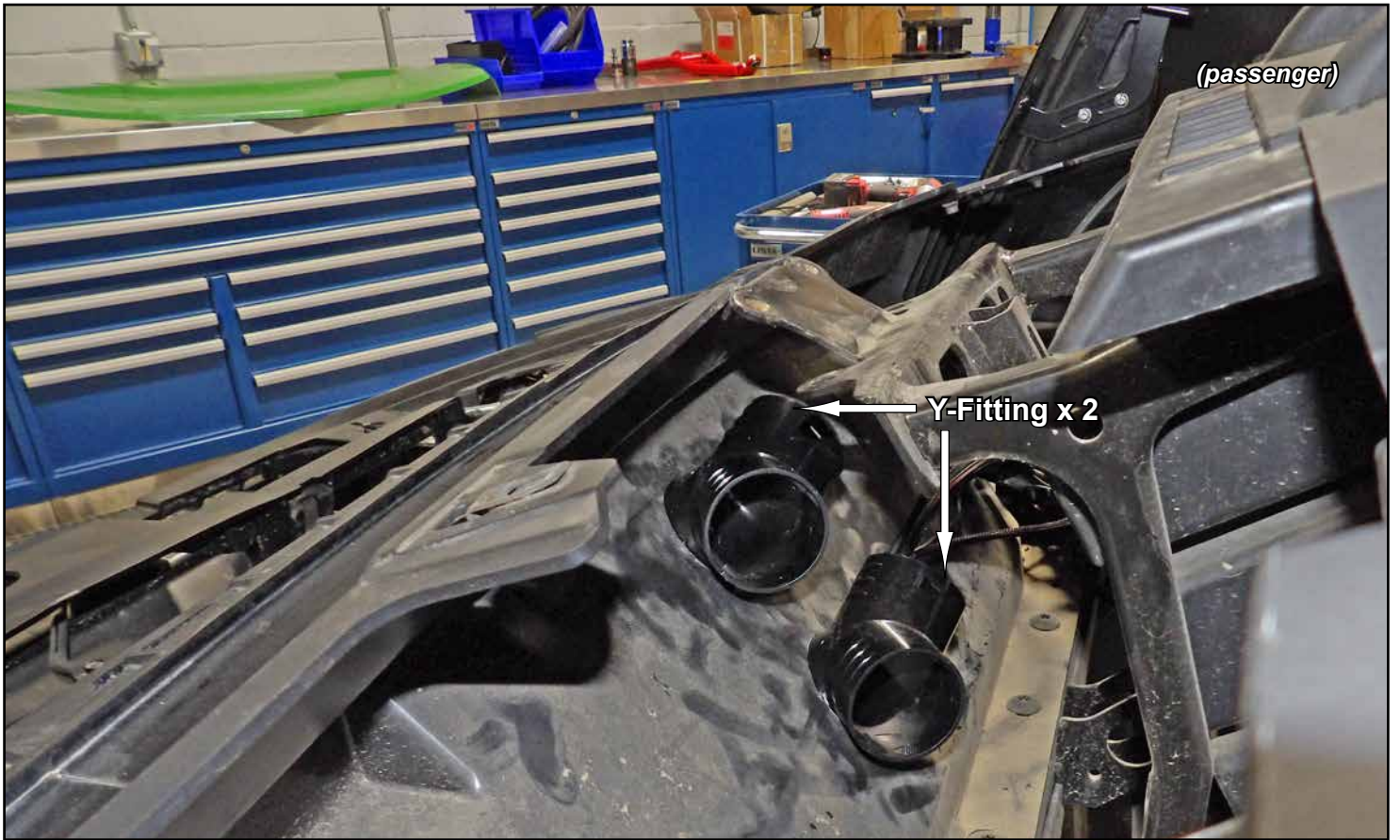
- Remove Dash.
- Cut (2) Ø2-1/2" holes through plastic.
- Install Vents.



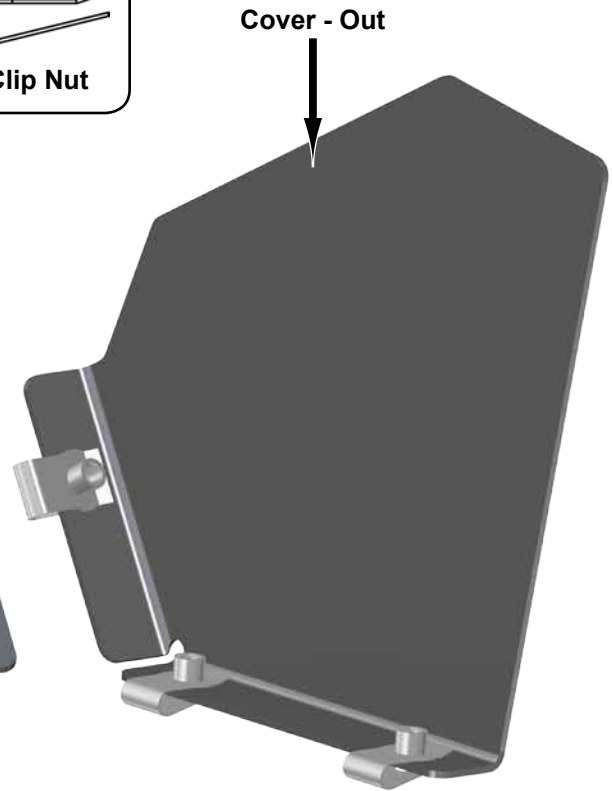
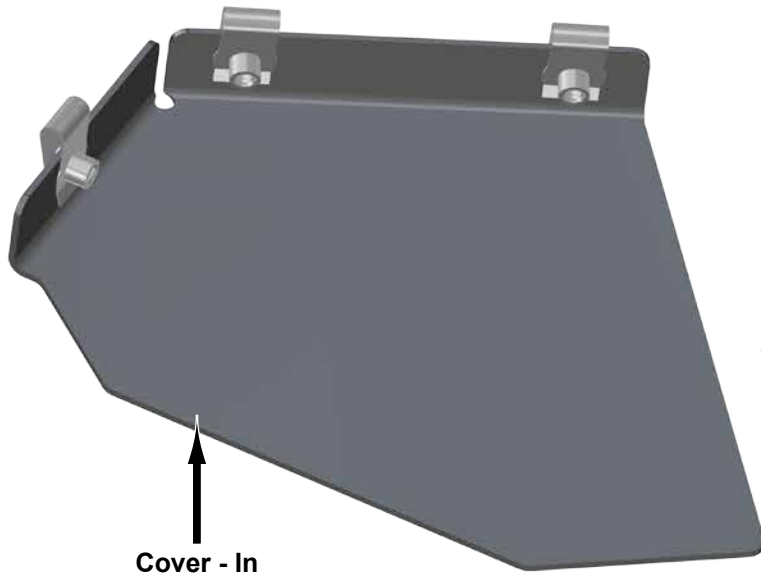
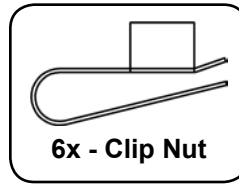


- Place Y-Fitting onto Firewall and mark approximate location.
- Repeat for remaining Y-Fitting.
- Drill (2) Ø2-1/2" holes through Firewall and install Y-Fittings.
- Place Grommet onto Firewall and mark approximate location.
- Drill 1-1/4" hole through Firewall and install Grommet.
- Feed Blower Harness through Grommet.

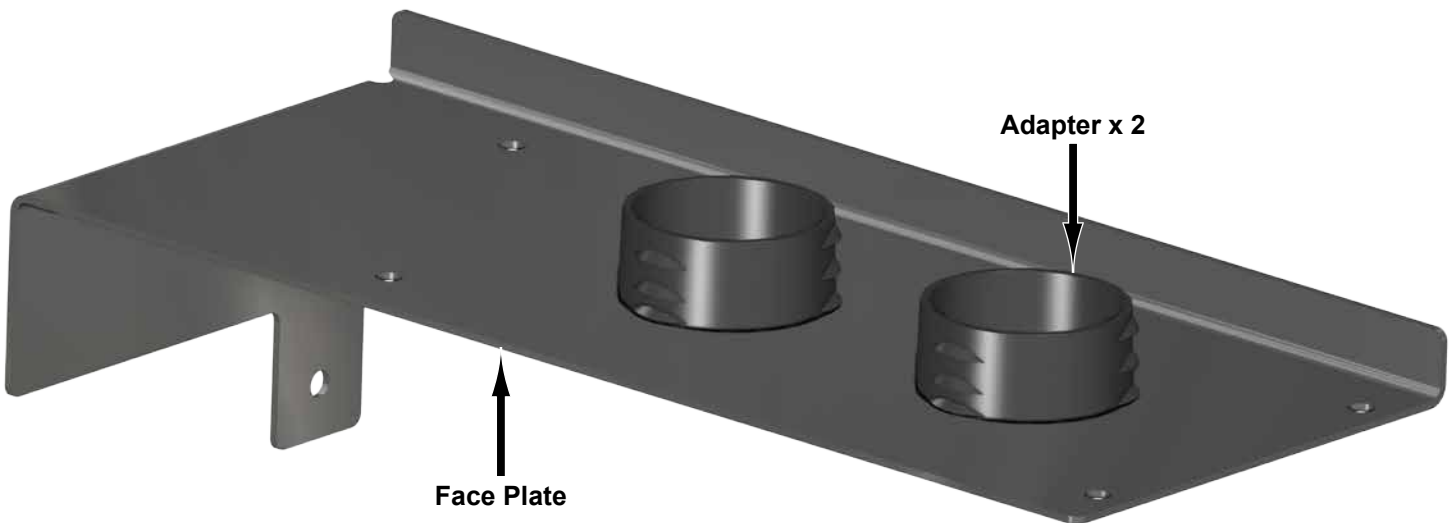




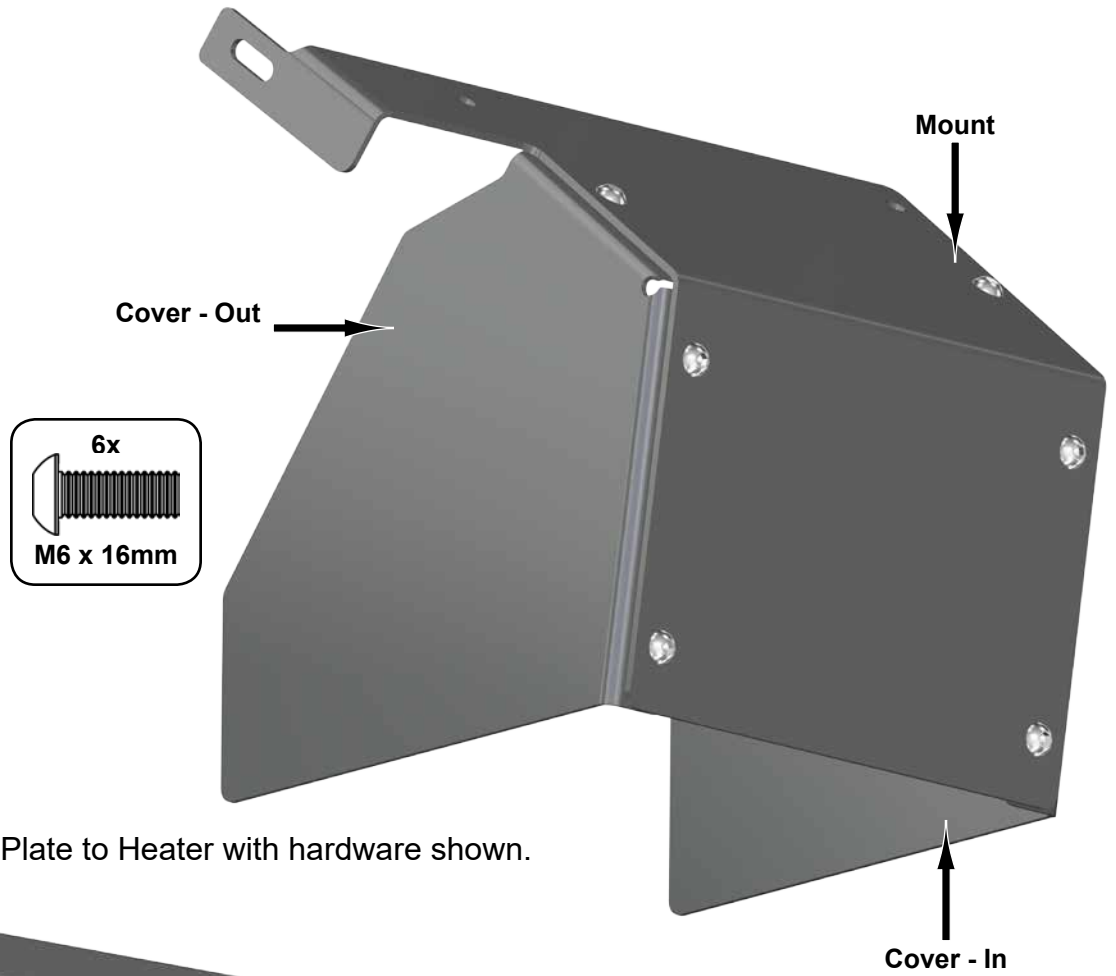
- Install Clip Nuts to Covers.



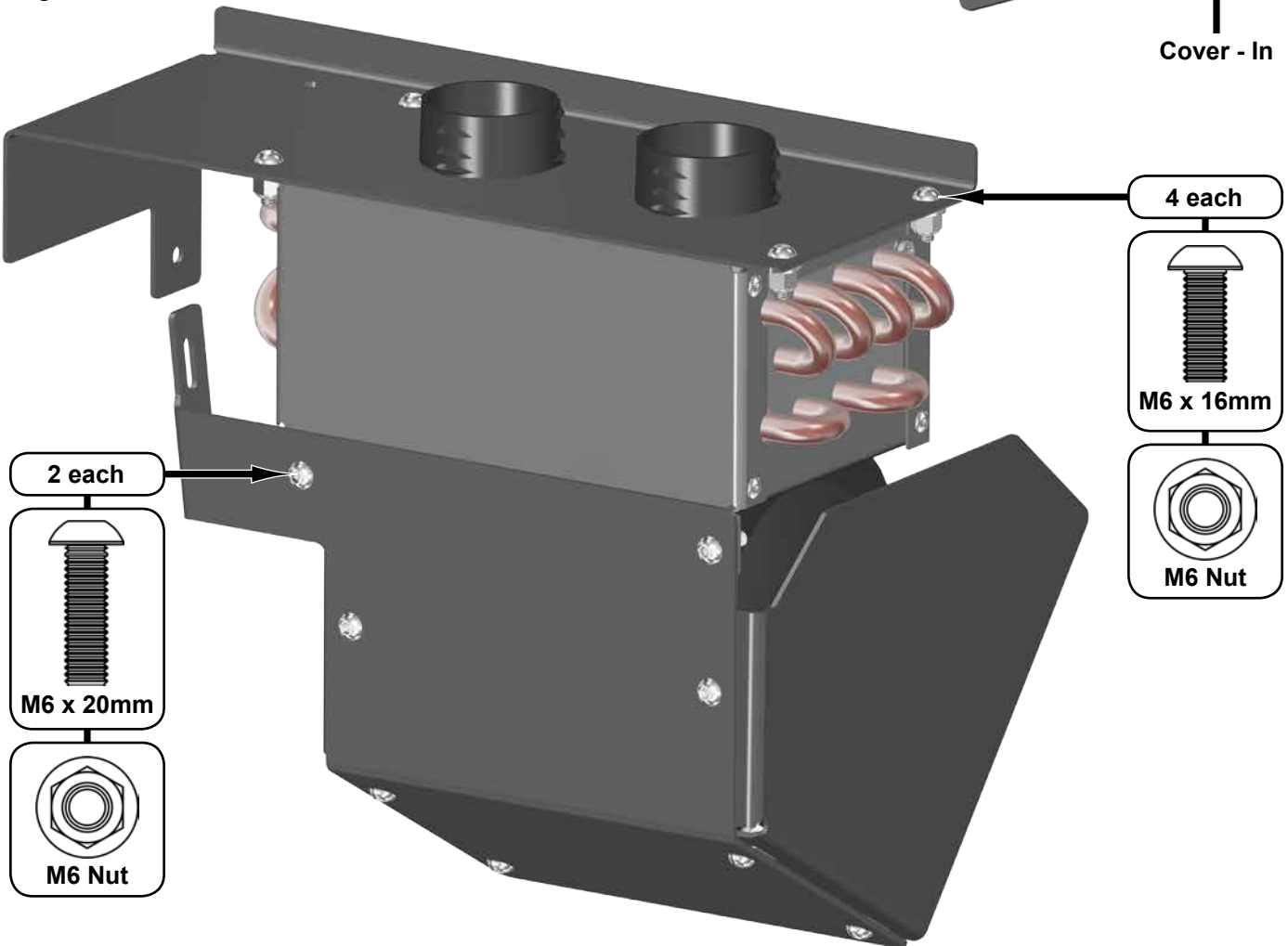
- Install Adapters to Face Plate.



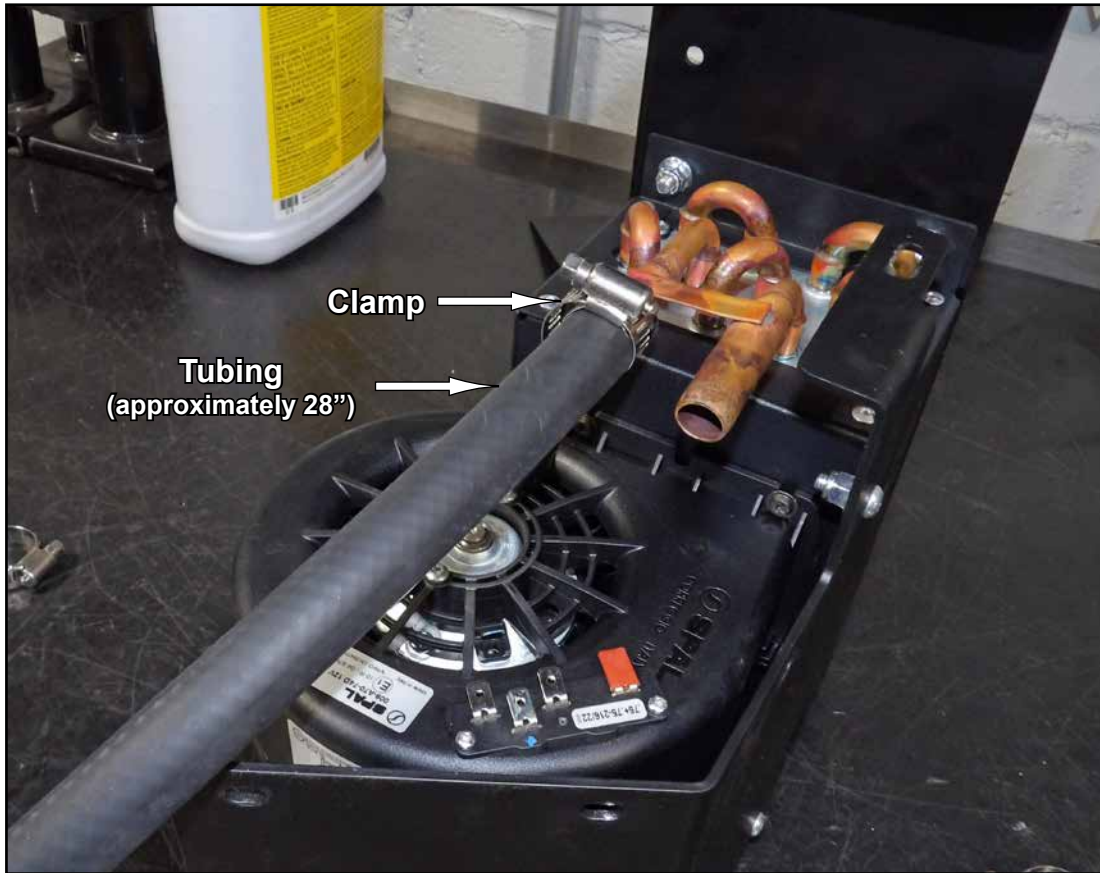
- Install Covers to Mount with hardware shown; do not tighten.



- Secure Mount and Face Plate to Heater with hardware shown.
- Tighten all hardware.

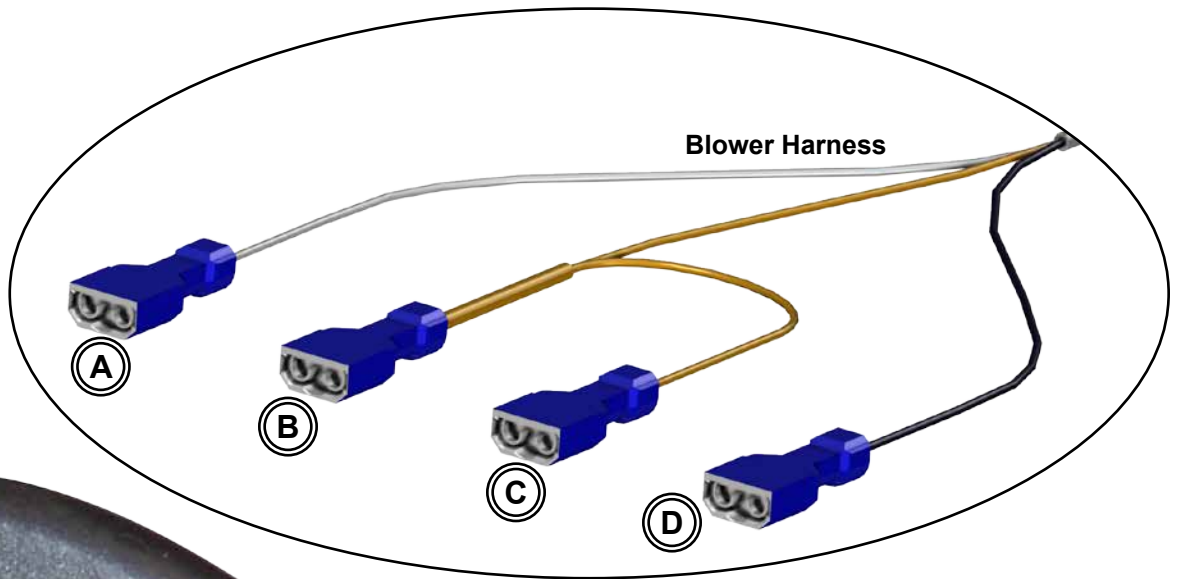


- Cut and connect Tubing to Heater. Secure with Clamp.

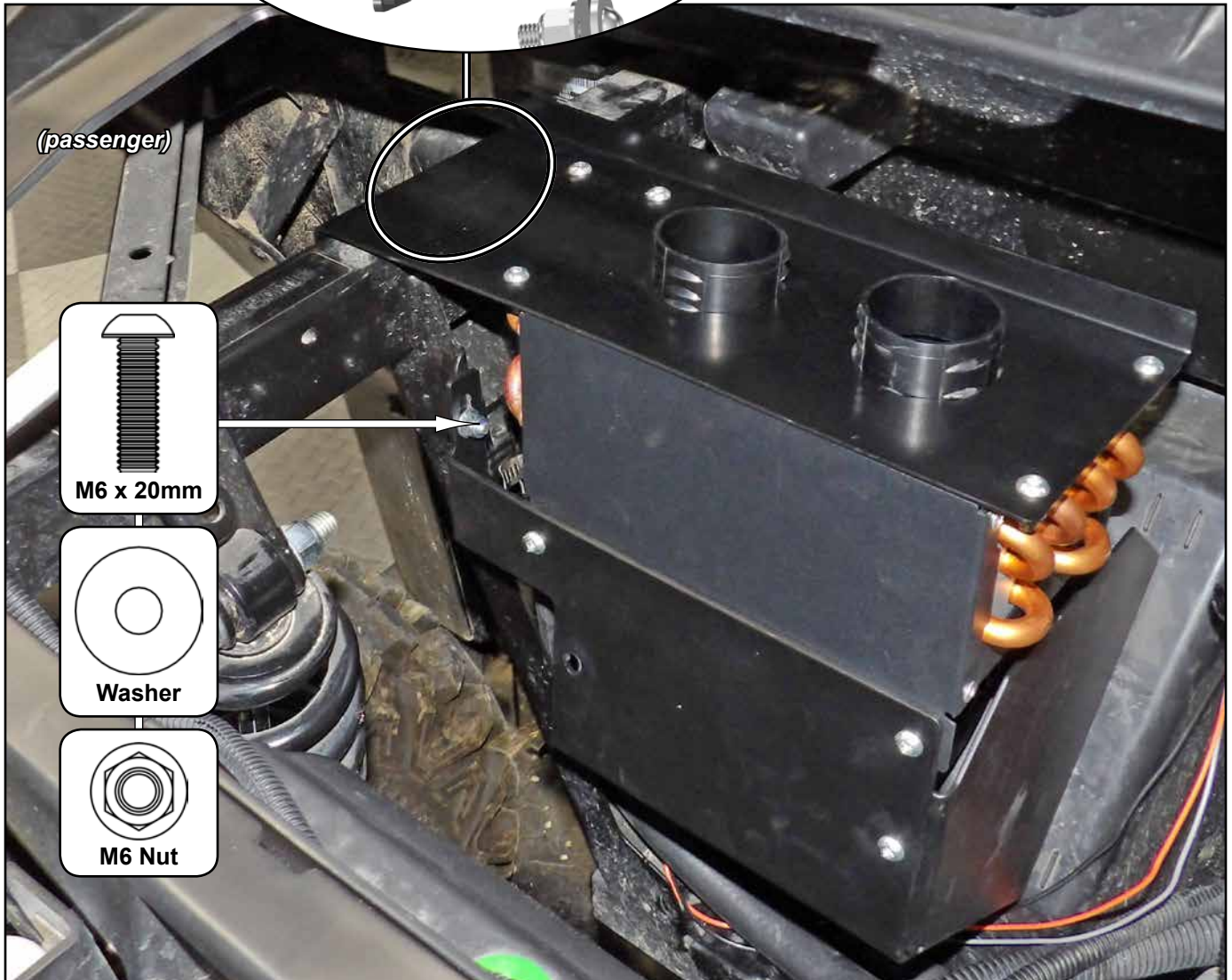
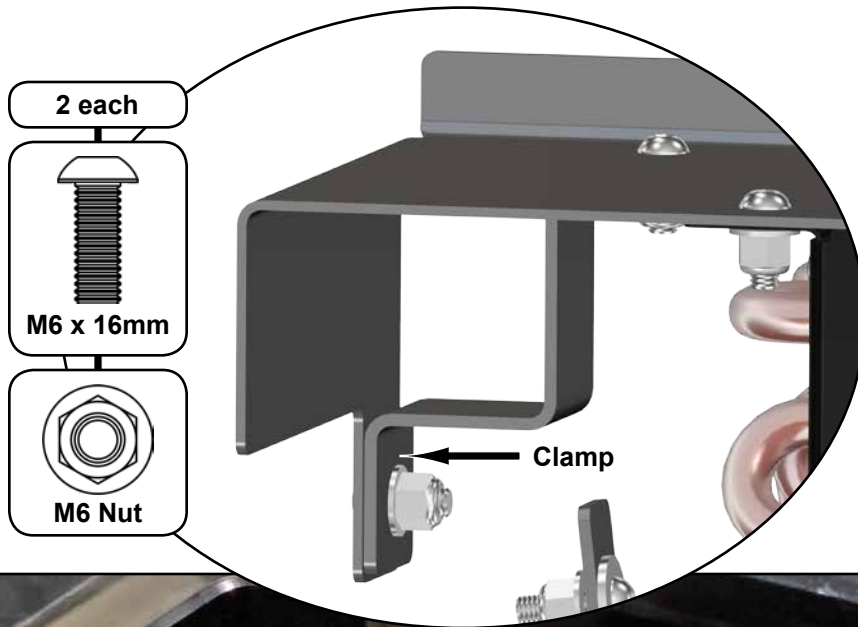


- Place Heater into machine.
- Connect Blower Harness; see following page.
- Connect Tubing to Heater and route to engine. Secure with Clamp.

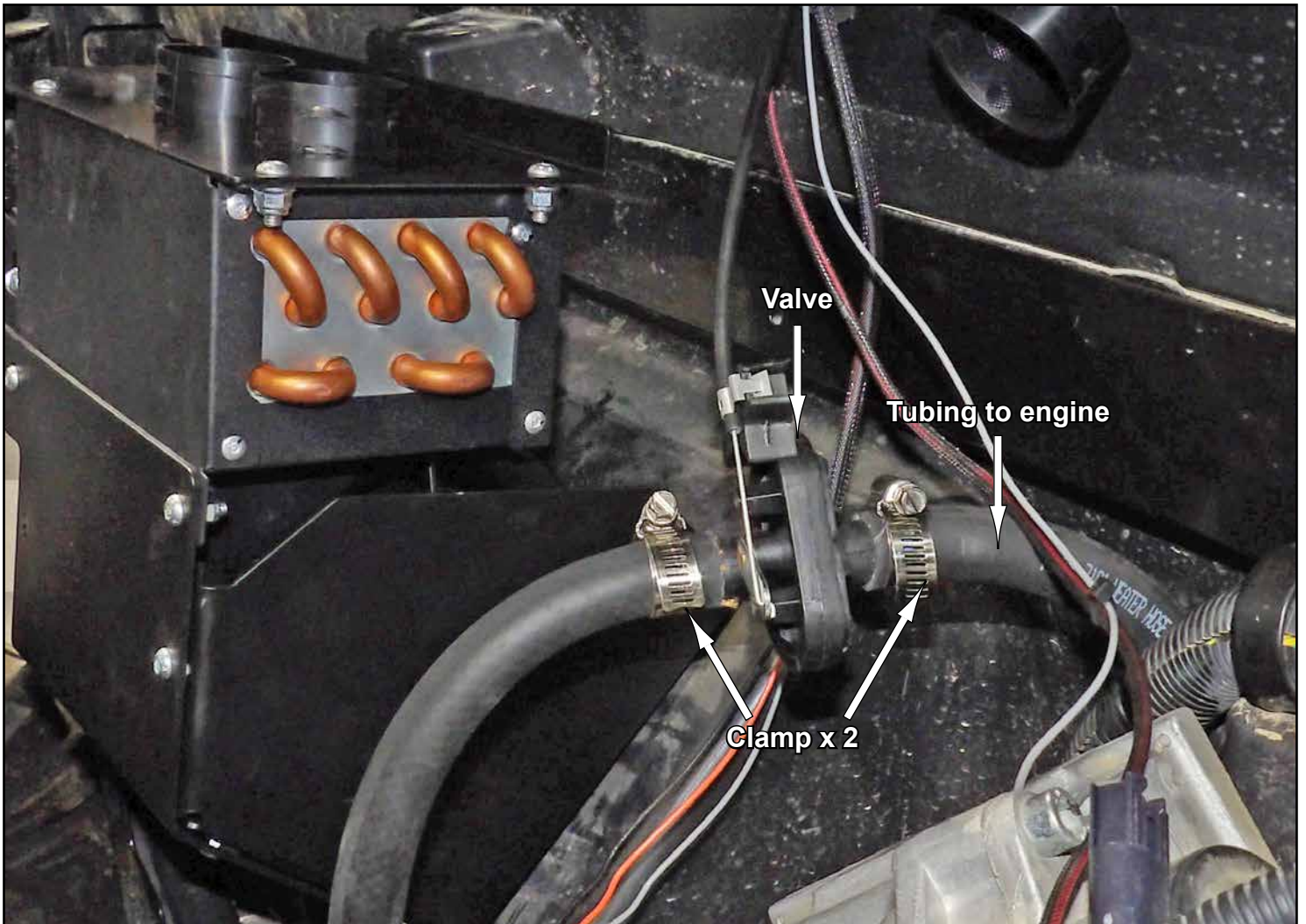




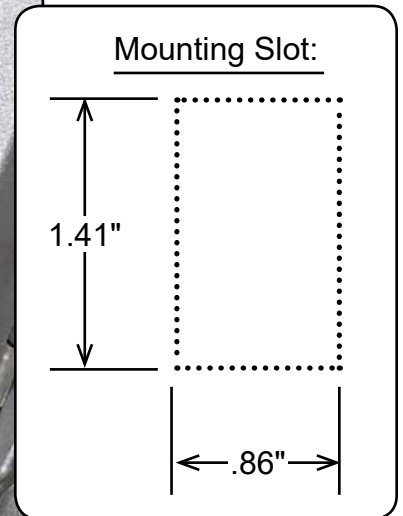
- Secure Heater assembly to Frame with Clamp and hardware shown; tighten.



- Install Valve to previously installed 28" long Tubing and secure with Clamp.
- Connect Tubing to opposite end of Valve and route to engine. Secure with Clamp.



- Place Knob Template on Dash, tape in place, and mark hole locations. Drill through plastic.
- Connect Blower Harness and install Switch.



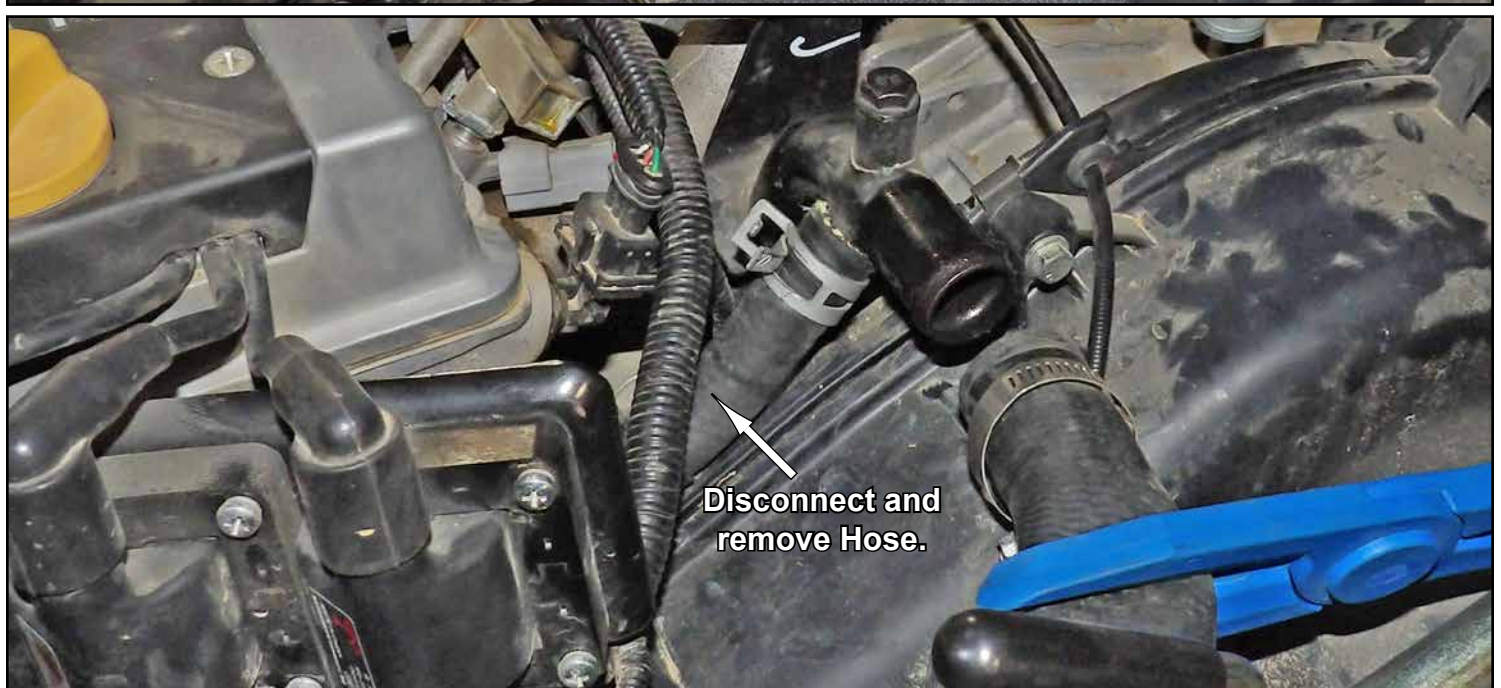
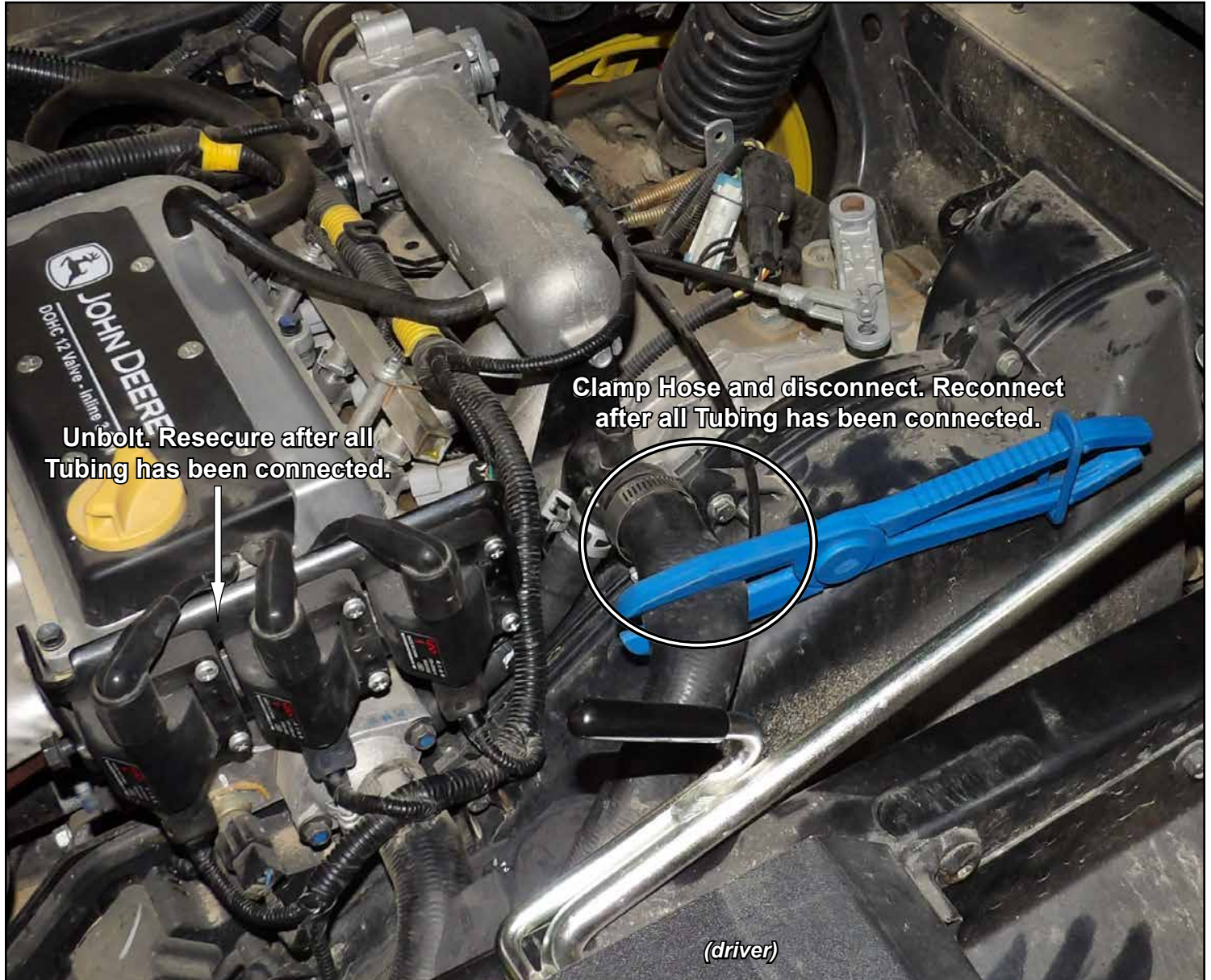
- Separate Knob.



- Connect Cable, from Valve, to Knob.
- Install Knob to Dash; tighten.

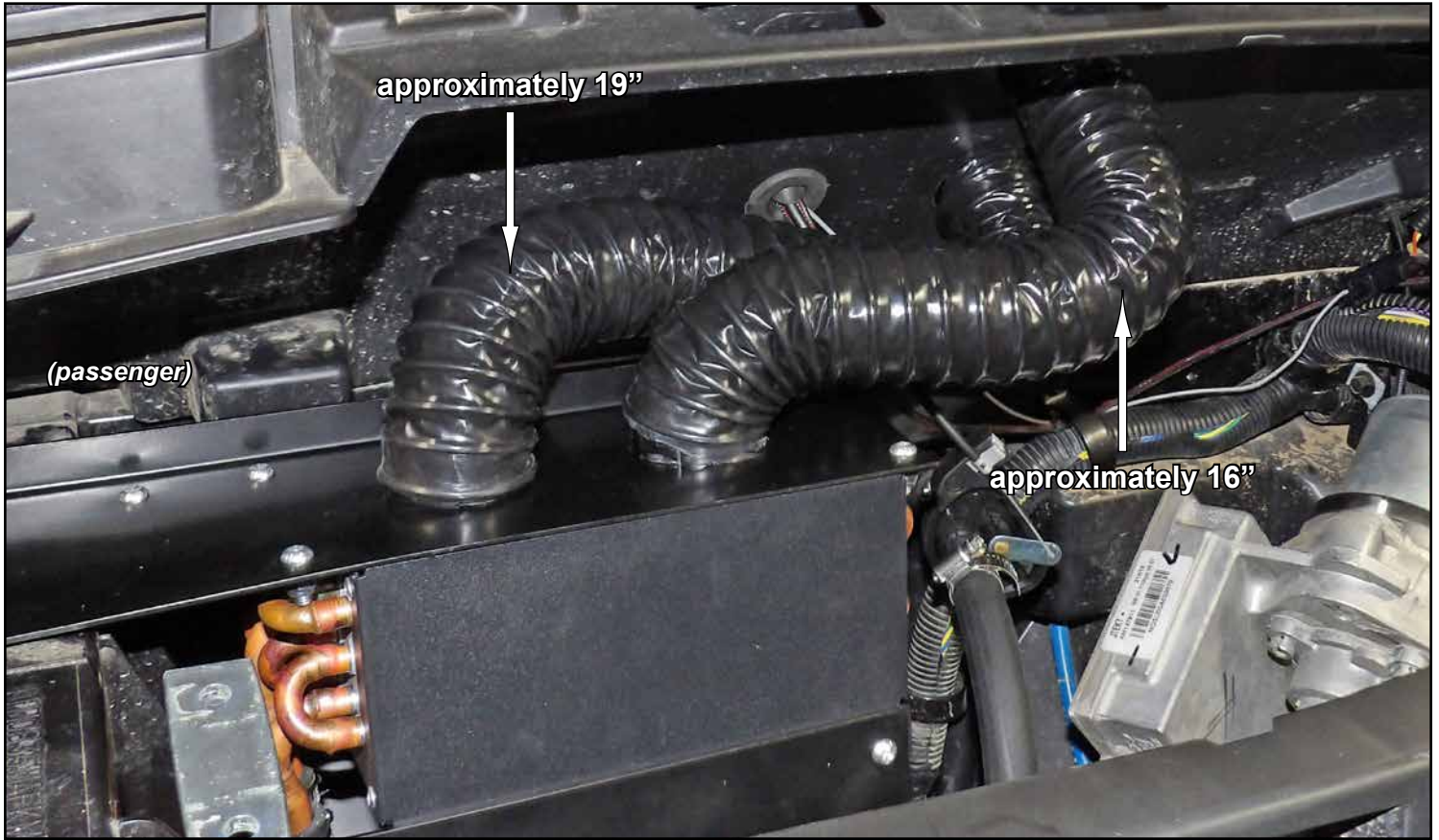


- Raise Dump Bed.

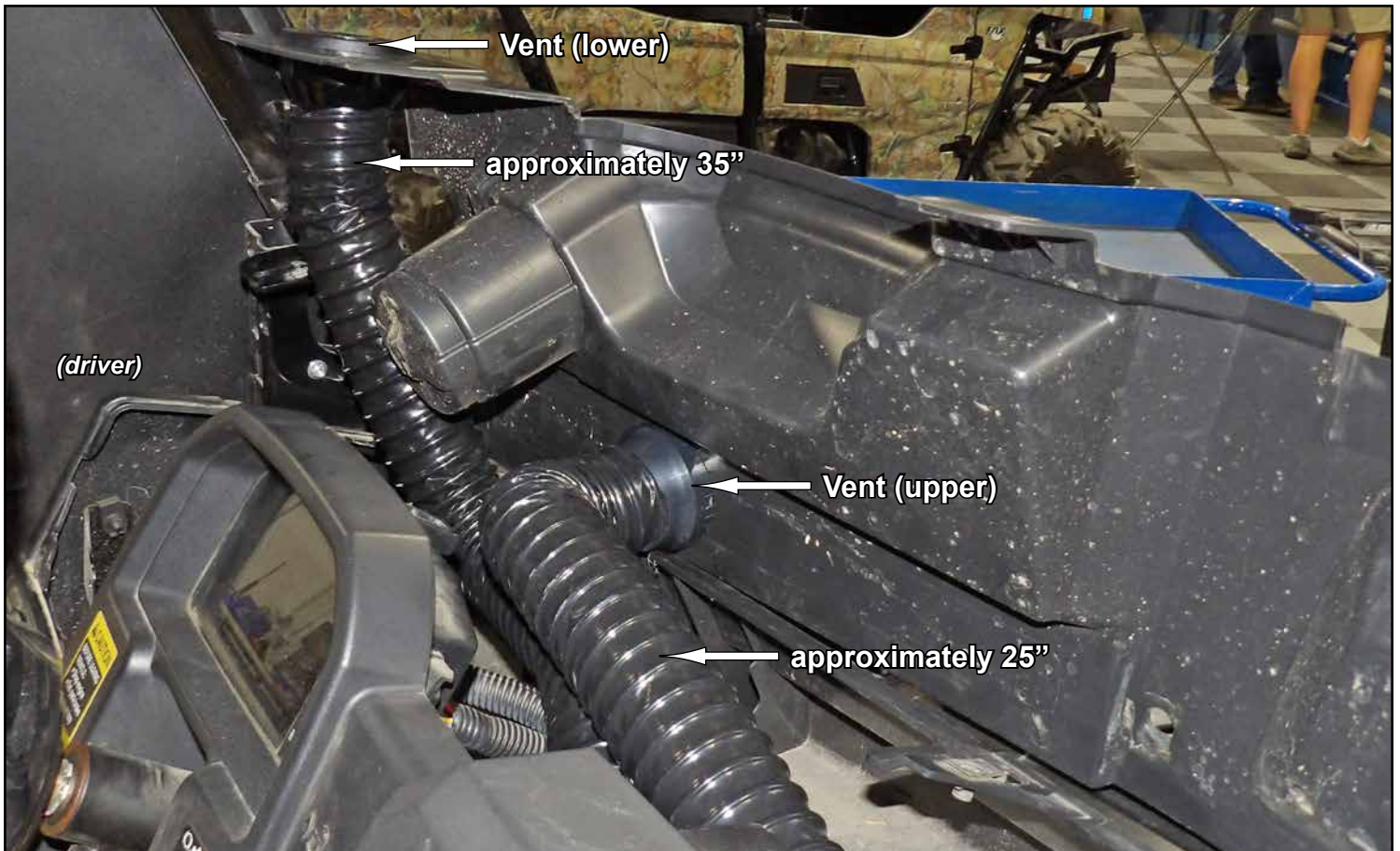




- Cut and install Ducting to Heater and Y-Fittings. Secure with Wire Ties.



- Cut and install Ducting to Vents and Y-Fittings. Secure with Wire Ties.
- Repeat for passenger end Vents and reinstall Dash.



- Locate stock Plug containing orange and yellow wires.
- Connect Plug from Power Harness.



- Fill coolant level to manufacturers recommended setting.