



Hose Pliers



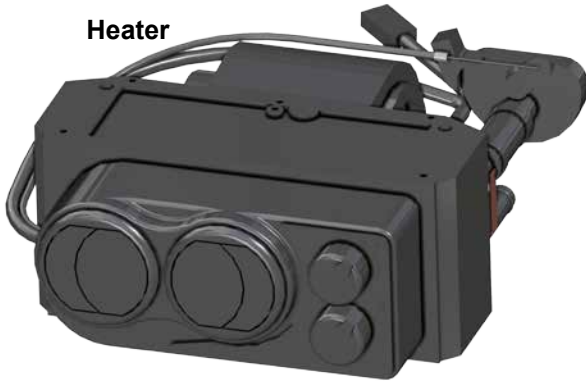
Hole Saw Kit



Tubing x 2



Wire Harness



Heater



4 Way Adapter x 2



4x Large Clamp



8x Small Clamp



2x Grommet



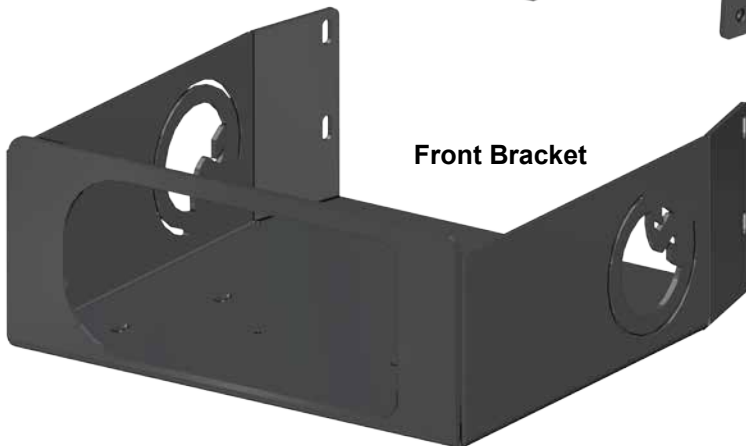
2x Elbow



Back Bracket



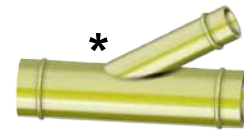
Right Bracket



Front Bracket



Left Bracket



\* Adapter x 2

*(install only if Front Heater is not present)*

**Need help with your installation?**

 [sales@superatv.com](mailto:sales@superatv.com)
 [www.superatv.com](http://www.superatv.com)

 1-855-743-3427
  8:00am - 8:00pm EST M-Th  
 8:00am - 7:00pm EST Friday  
 9:00am - 2:00pm EST Saturday

**Read instructions and view illustrations before beginning.**

*Thank You*  
*For Choosing*  
**SUPERATV**.COM<sup>®</sup>

- **Tubing and Duct lengths are SuperATV recommended. User may install components in other locations. Verify lengths before final installation.**
- **Check behind areas being drilled for interference.**
- **Avoid burns and scalding by working on cool vehicles.**
- **Secure components away from rotating objects.**
- **Do not tighten mounting hardware until all components are in place.**
- **Use manufacturers recommended coolant.**
- **Avoid sharp bends when installing Tubing.**
- **Verify that no leaks are present after installation.**



**CUSTOMER NOTIFICATION AND DISCLAIMER LIABILITY**

**This product is a modification for utility task vehicles and all terrain vehicles. Use this product at your own risk.**

**Warranty and Liability Limitations.** The Buyer hereby assumes all risks associated with the use and/or installation of this product. Buyer waives all liability claims against SuperATV® of any kind or nature, including, but not limited to, liability for penalties, fines, property damage, personal injury or death, to the fullest extent permitted by law. Buyer acknowledges and agrees that SuperATV® is not liable for any direct, indirect, incidental, consequential or special damages, including but not limited to, damage, loss of life, loss of property or equipment, loss of profits or revenue, injury, or claims from any individual or entity arising from the use of this product.

The warranty for this product, if any, may give you ("Buyer") specific legal rights, and Buyer may also have other rights which may vary from state to state. The installation of this product may void or otherwise adversely affect your factory warranty.

Consult your vehicle warranty before using this Product. Under no circumstances will SuperATV® be liable for the voidance of the Buyer's vehicle warranty. Buyer assumes all risk and responsibility if a manufacturer and/or dealer voids the Buyer's vehicle warranty due to use of this Product.

**Safety and Laws.** Operate your vehicle at all times in a safe manner. You must abide by all local, state, and federal laws, including but not limited to vehicle safety, traffic laws, and ordinances. It is your responsibility to know the laws and how they apply to you. The installation of this product may violate certain local, state, and federal laws. Be advised that laws vary depending on town, city, county, state, etc. Use of this product on public streets, roads, or highways may be in violation law. The Buyer is solely and exclusively legally and personally responsible for any violation of the law by the installation or use of this product. In no case will SuperATV® be held liable if Buyer violates the law or uses the product in an unsafe manner.

The Buyer is responsible to fully understand the capability and limitations of his/her vehicle according to manufacturer specifications, warnings and instructions and agrees to hold SuperATV® harmless from any damage resulting from failure to adhere to such specifications, warnings and/ or instructions. The Buyer is also responsible to obey all applicable federal, state, and local laws when operating his/her vehicle while using this product, and the Buyer agrees to hold SuperATV® harmless from any violation thereof.

**Installation.** The installation of this product on your vehicle indicates that you have had the opportunity to inquire about applicable local, state, and federal laws and ordinances and that you have read and understand, and accept all of the terms of, this Disclaimer.

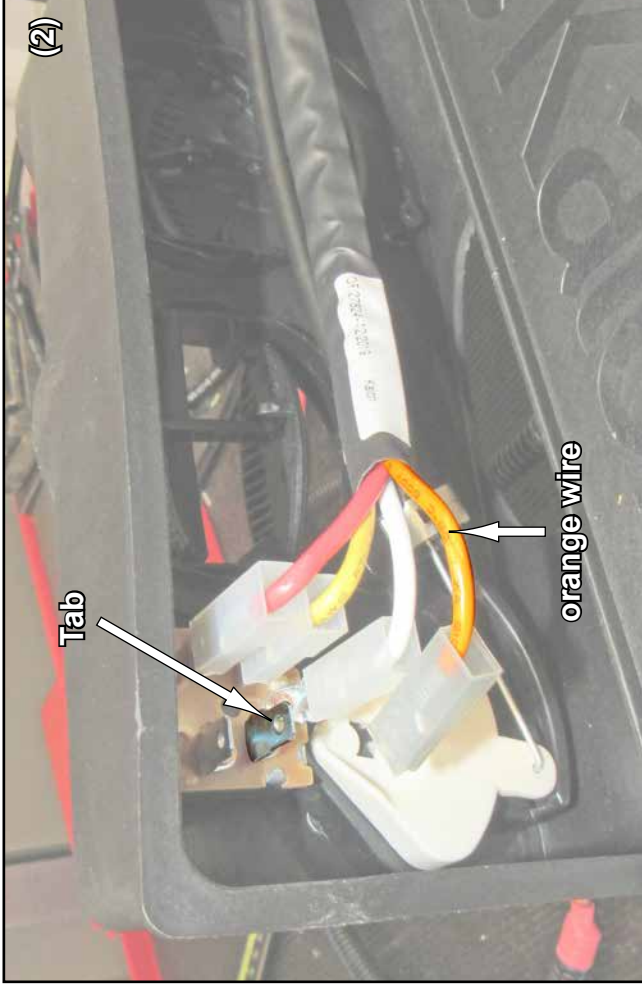
SuperATV® shall not be responsible for the proper installation, use, and service of this product. Rather, the Buyer shall be solely responsible for the installation of the product and any damage that may be done to the vehicle or vehicle components as a result of modifications made by the Buyer.

**Verify wiring shown below is connected before installing.**

- Open Vent, insert finger, and pull Controls away from Base.



- If not connected, connect orange wire to Tab shown.



- Verify that all connections shown are connected and secure.
- Push Controls back into Base.





**2020 MODELS BULKHEAD LOOK DIFFERENT**



- Remove Lower Dash.



## Remove Rear Side Floor Cover.



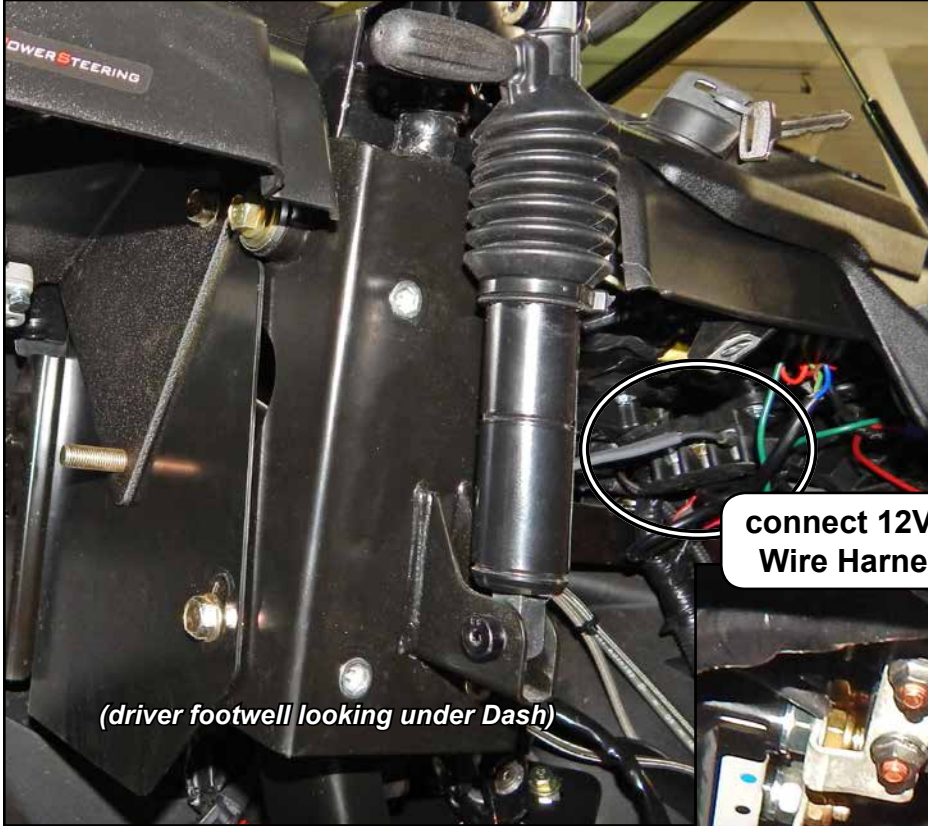
- Place Grommets in general location shown.
- Mark inside of Grommets onto plastic.
- Use provided hole saw and drill through plastic.
- Install Grommets.



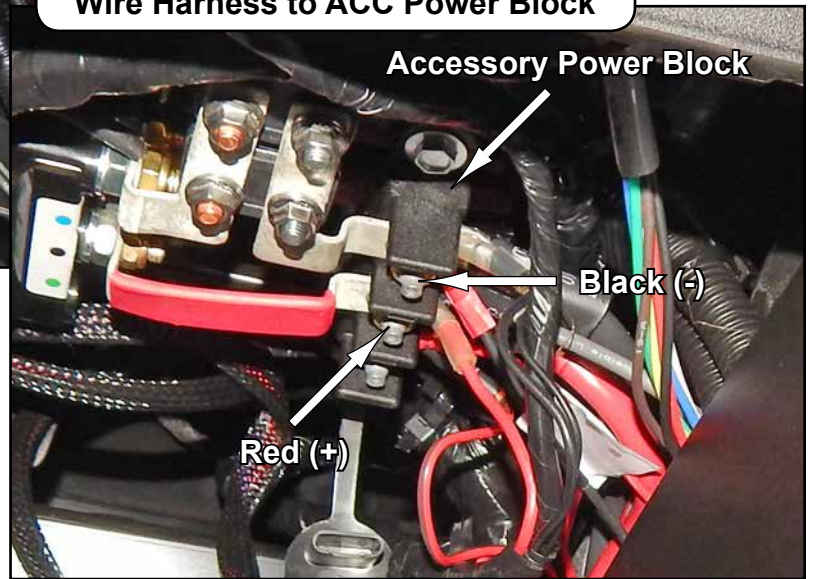


**Power Connections:**

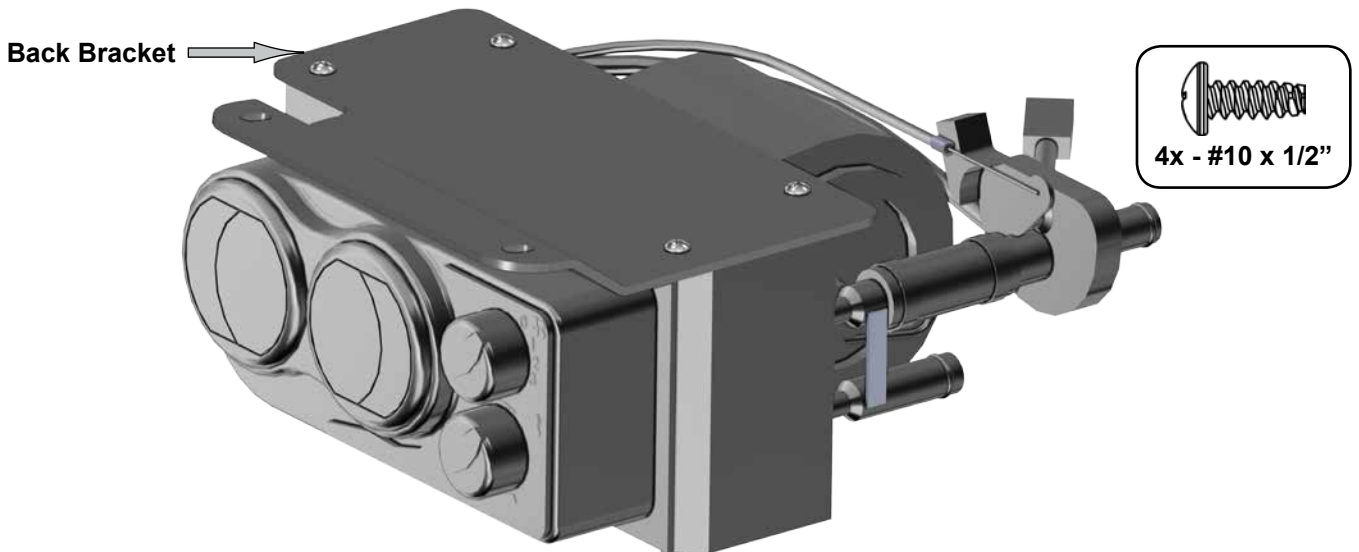
- Connect Wire Harness and route to rear of machine.
- Plug into Heater.



connect 12V and Ground wires from Wire Harness to ACC Power Block

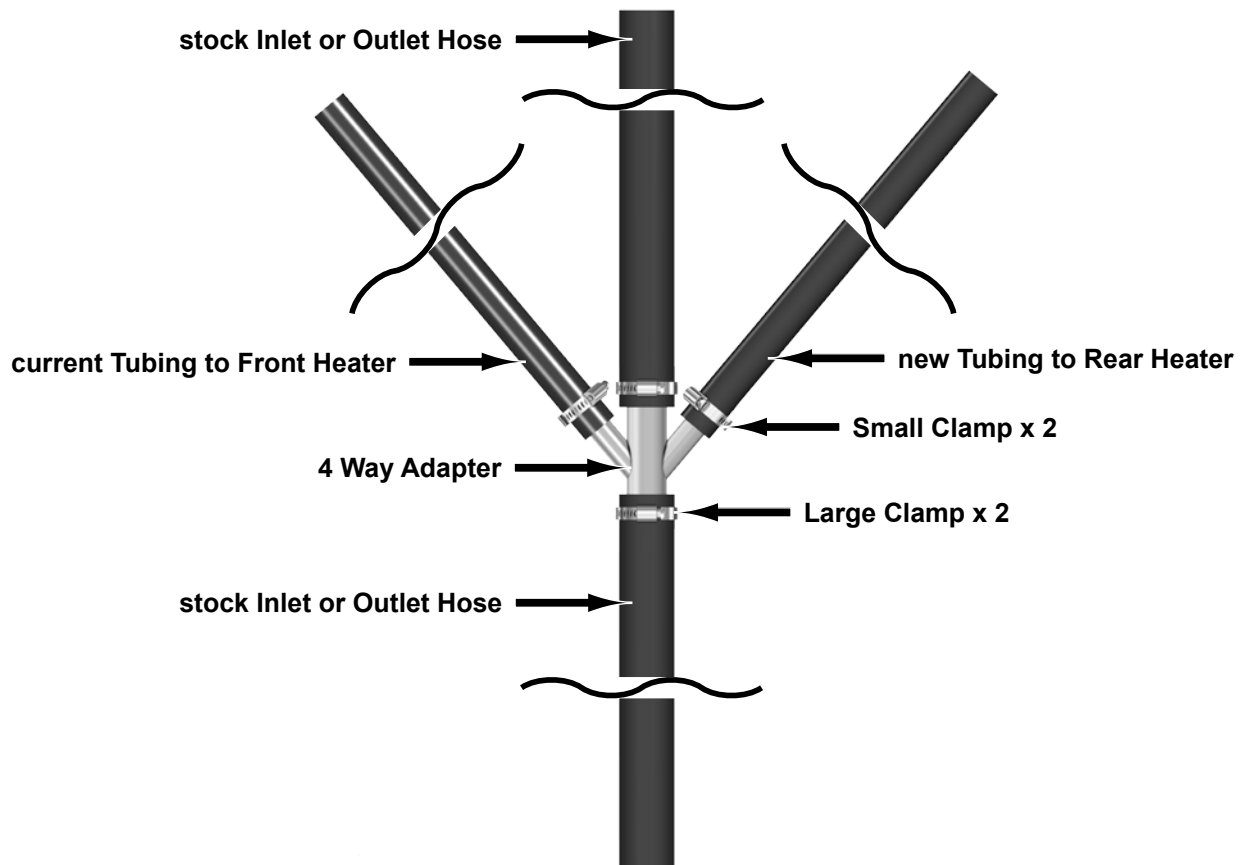
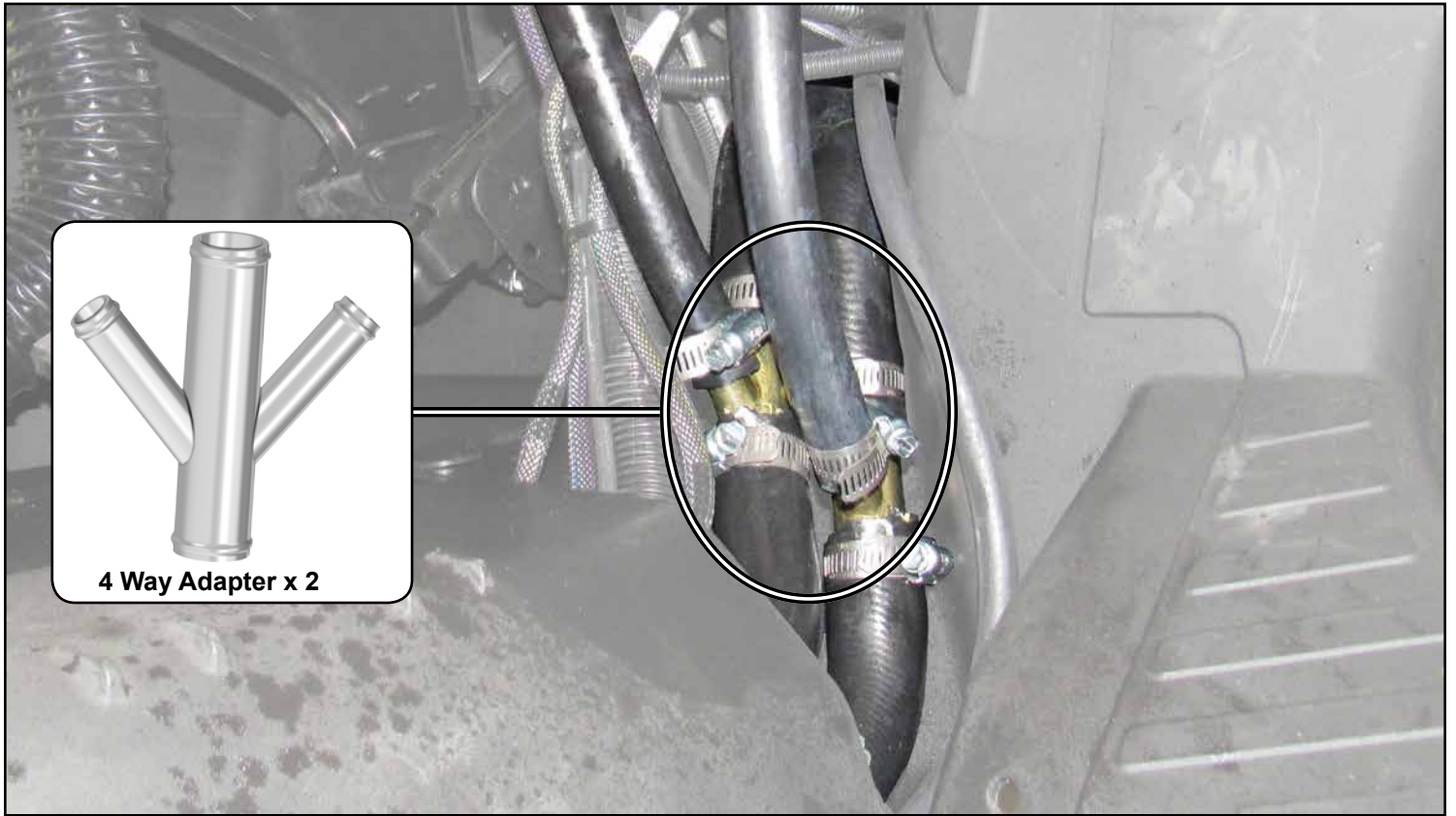


- Install Back Bracket to Heater with hardware shown; tighten.



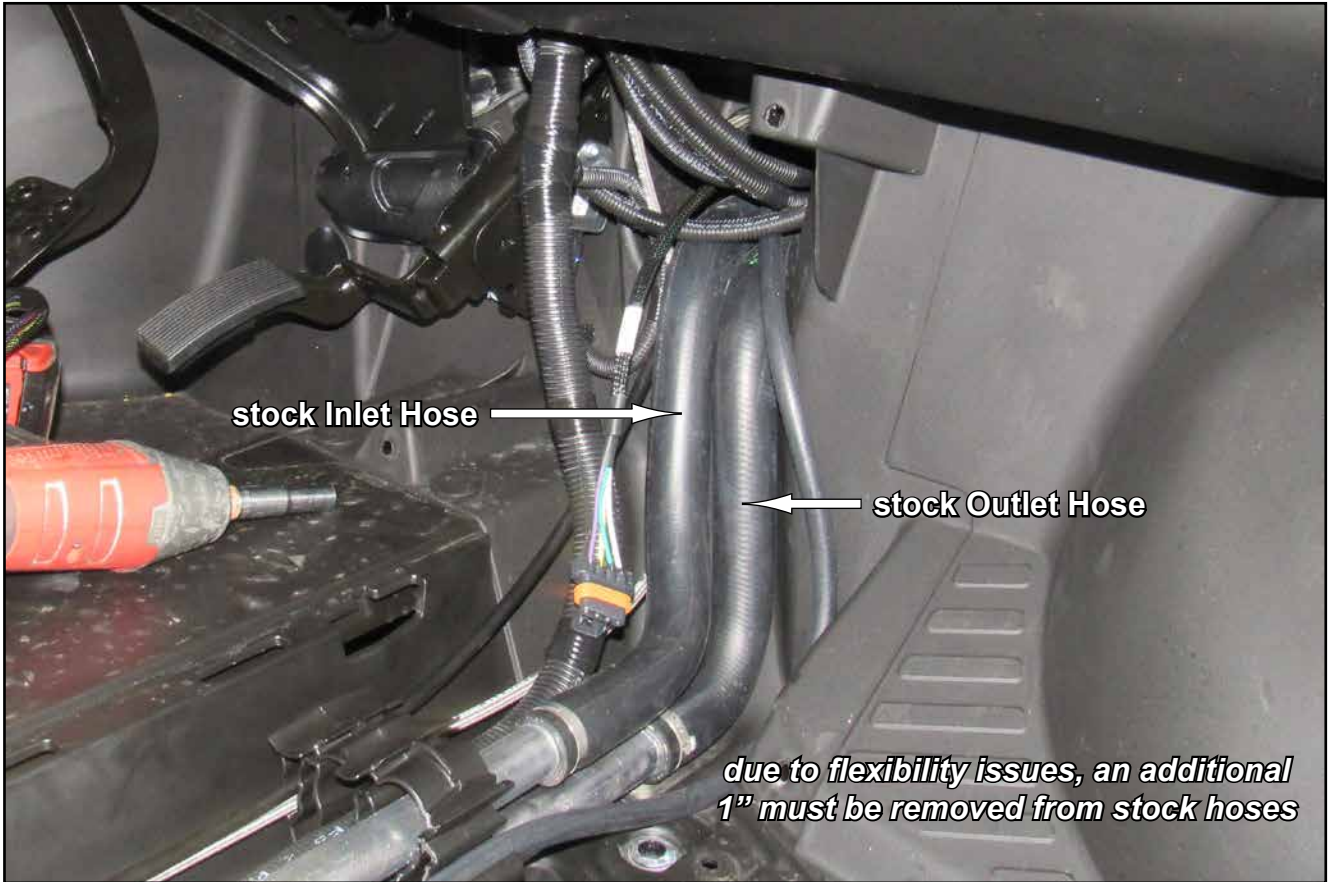
**IF NO FRONT HEATER IS PRESENT, OR NOT BEING INSTALLED AT THIS TIME,  
SEE FOLLOWING PAGE FOR REAR HEATER ONLY INSTALLATION.**

- Replace Adapters with 4 Way Adapters. Secure with Large Clamps.
- See below illustration for Hose and Tubing connections.

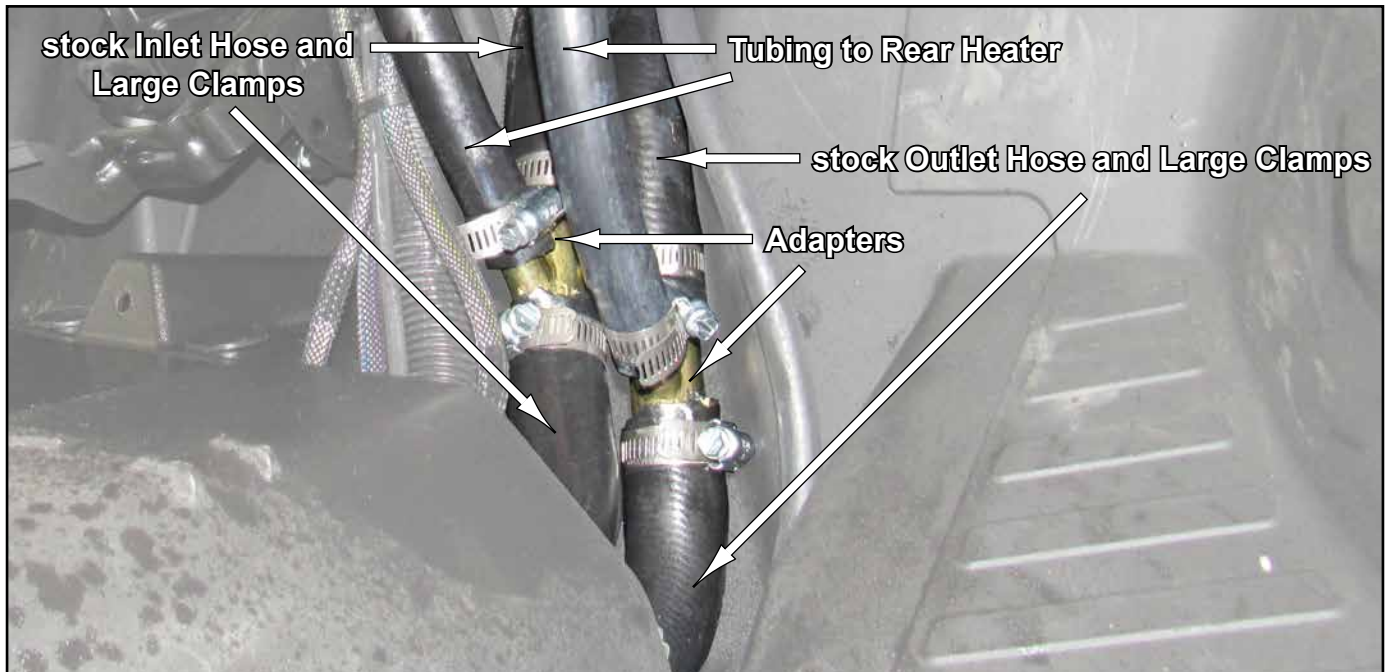




- Raise front of vehicle and place on jack stands.
- Remove Lower Radiator Hose and drain coolant.



- Hold Adapters up to stock Hoses and mark locations to be cut.
- Cut stock Hoses and install Adapters with Clamps as shown.

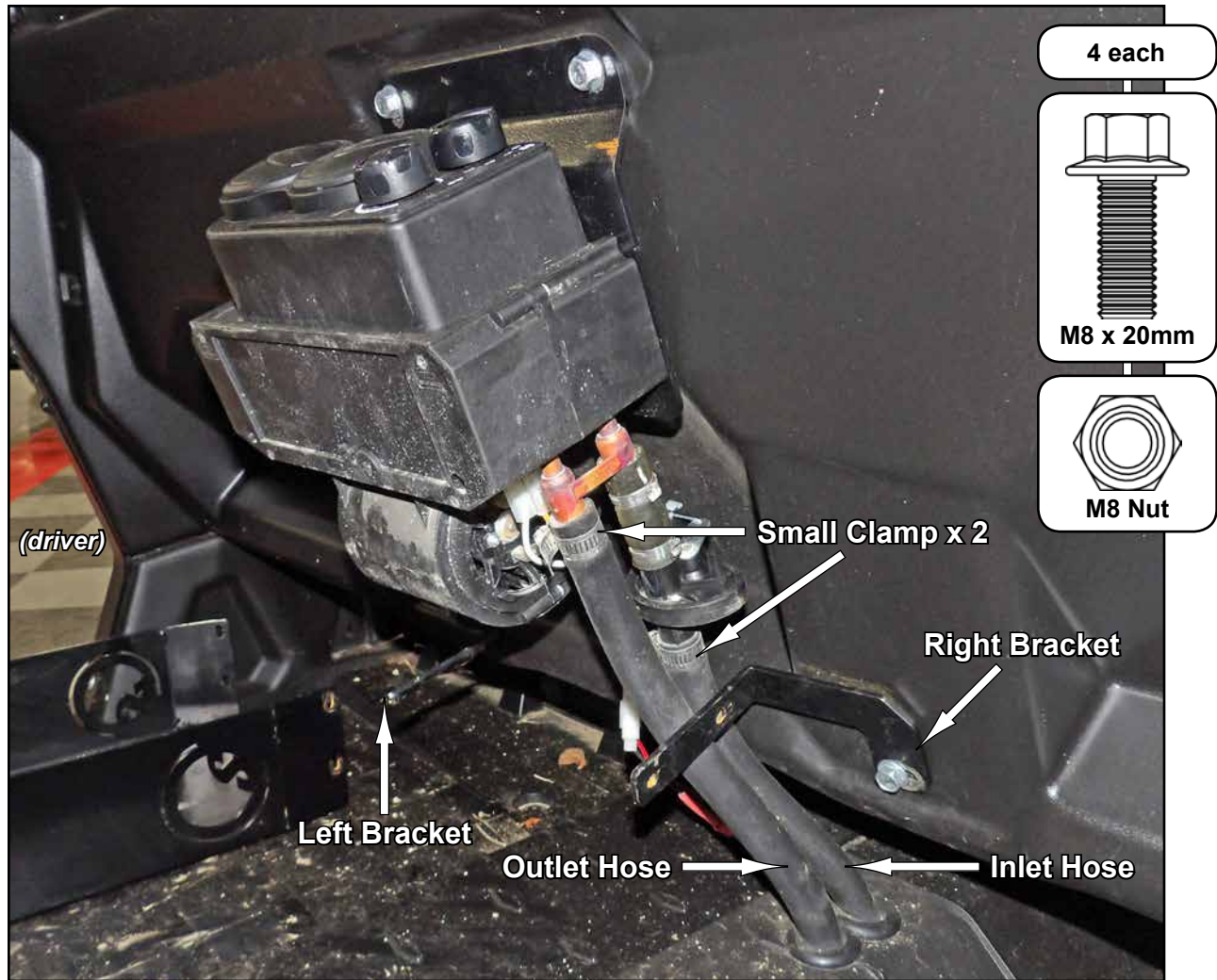


- Reinstall Bulkhead.

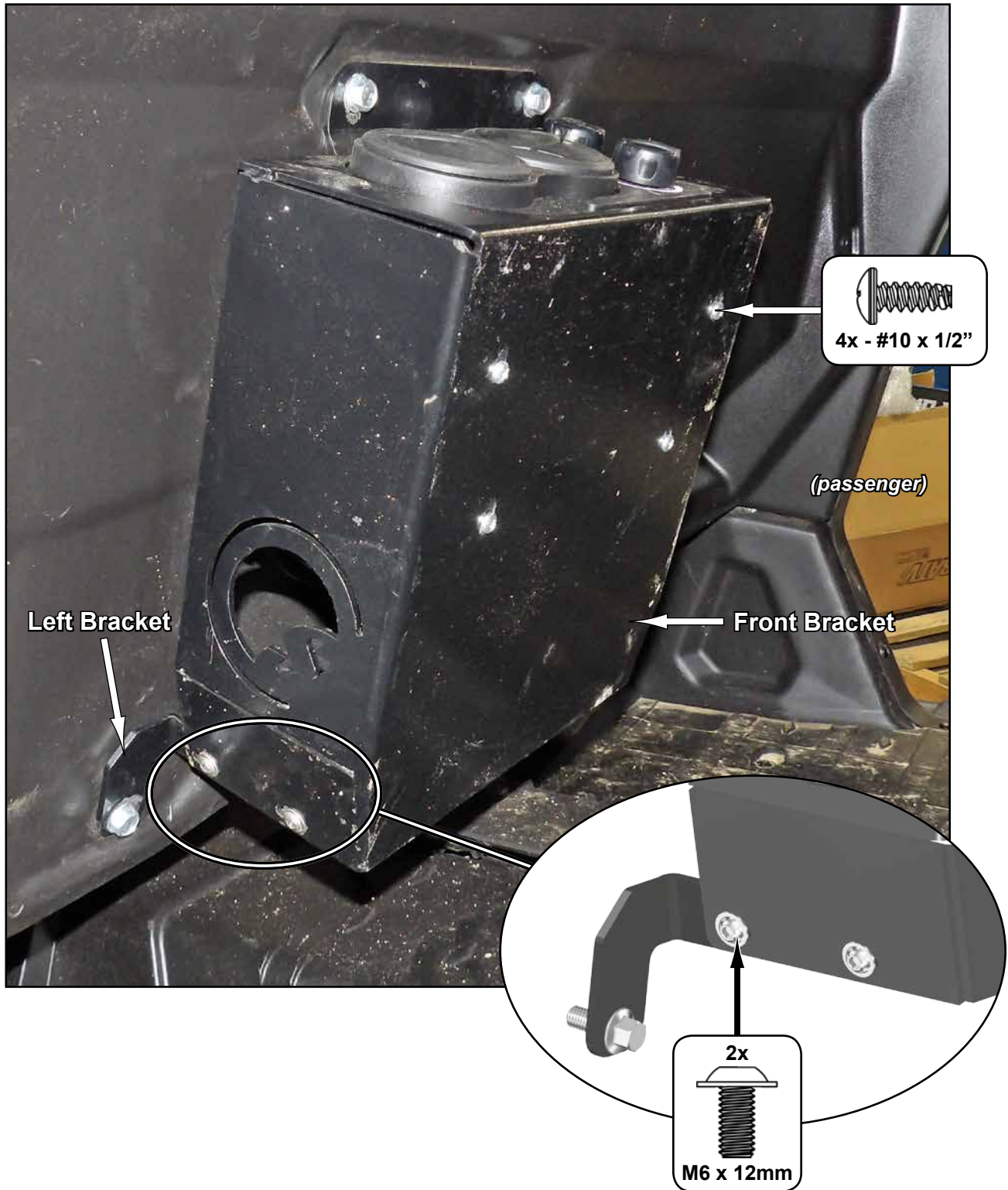


## EXTRA HANDS WILL BE REQUIRED WHEN SECURING HEATER

- Secure Heater assembly to Firewall with hardware shown; tighten.
- Plug Wire Harness into Heater.
- Cut Tubing to fit and secure to Heater.

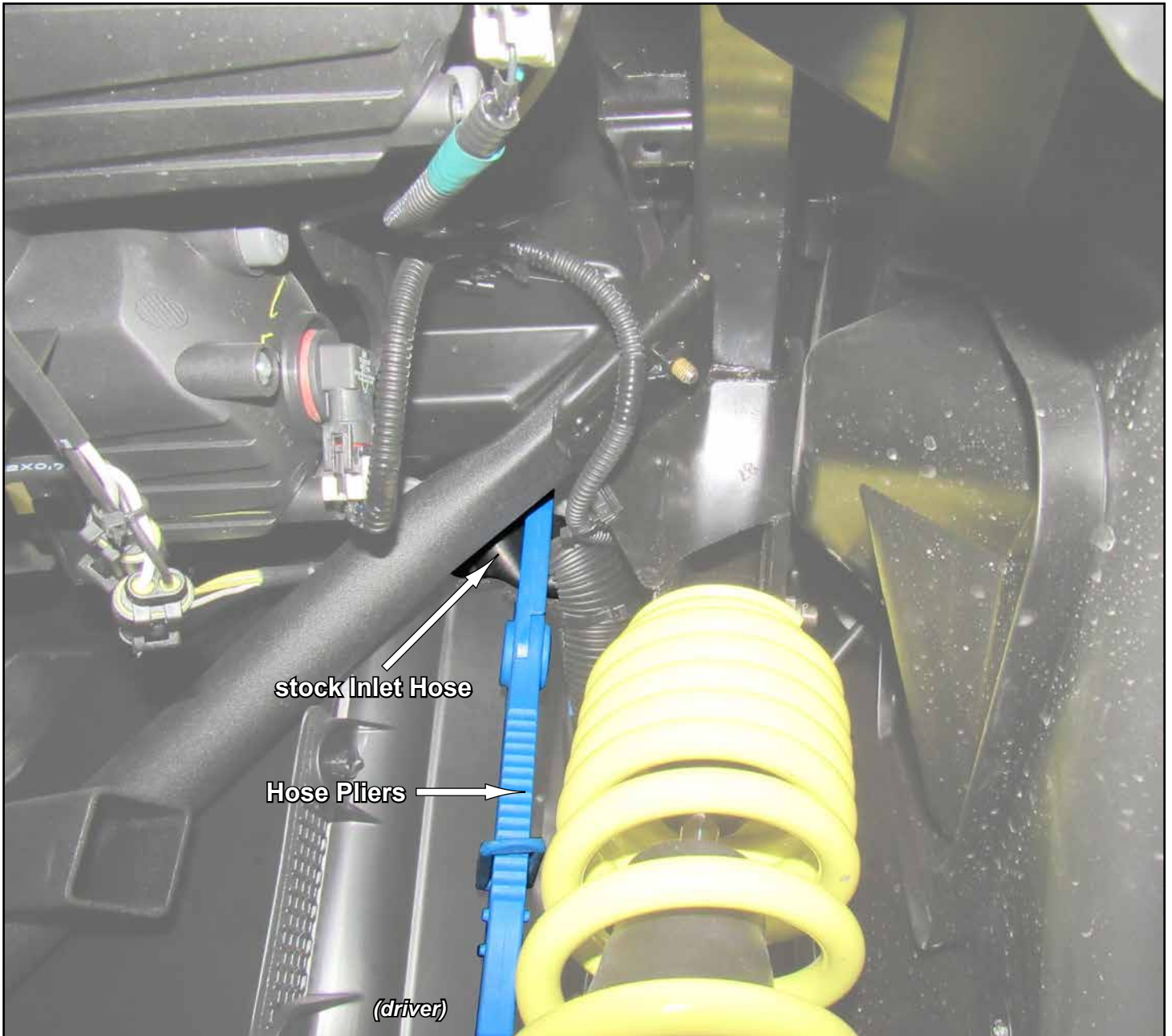


- Install Front Bracket to Heater with hardware shown.
- Secure Left and Right Brackets to Front Bracket with hardware shown.
- Tighten hardware.





- Place machine back on ground.
- Fill coolant level to manufacturers recommended setting.
- Start machine and run at 3000 RPM until engine is hot.
- Use provided Hose Pliers and pinch off Inlet Hose as shown below.



- Remove Hose Pliers after Radiator Fan turns ON.
- After Radiator Fan turns OFF, pinch Inlet Hose again and remove after Radiator Fan turns ON.
- Turn machine off and let engine completely cool; may take several hours.
- Check Coolant Level in Radiator and Reservoir; adjust as needed.
- Start machine and repeat "pinch" steps again.