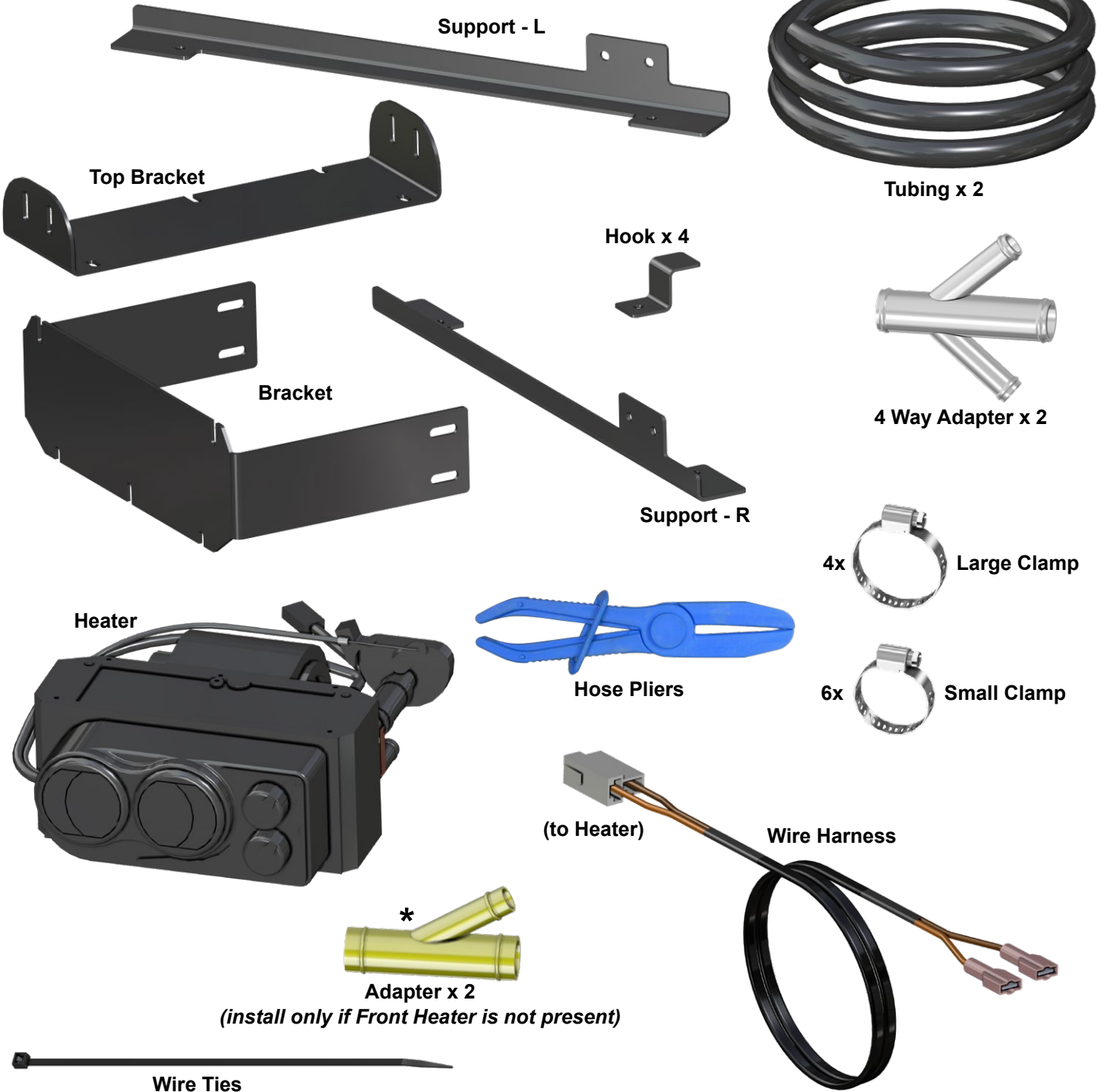


- Do not discard packaging until product has been successfully installed.



Need help with your installation?

 sales@superatv.com
 www.superatv.com

 1-855-743-3427
  8:00am - 8:00pm EST M-Th
 8:00am - 7:00pm EST Friday
 9:00am - 2:00pm EST Saturday

Read instructions and view illustrations before beginning.

Thank You
 For Choosing
SUPERATV.COM[®]

- ***Tubing and Duct lengths are SuperATV recommended. User may install components in other locations. Verify lengths before final installation.***
- ***Check behind areas being drilled for interference.***
- ***Avoid burns and scalding by working on cool vehicles.***
- ***Secure components away from rotating objects.***
- ***Do not tighten mounting hardware until all components are in place.***
- ***Use manufacturers recommended coolant.***
- ***Avoid sharp bends when installing Tubing.***
- ***Verify that no leaks are present after installation.***

CUSTOMER NOTIFICATION AND DISCLAIMER LIABILITY

This product is a modification for utility task vehicles and all terrain vehicles. Use this product at your own risk.

Warranty and Liability Limitations. The Buyer hereby assumes all risks associated with the use and/or installation of this product. Buyer waives all liability claims against SuperATV® of any kind or nature, including, but not limited to, liability for penalties, fines, property damage, personal injury or death, to the fullest extent permitted by law. Buyer acknowledges and agrees that SuperATV® is not liable for any direct, indirect, incidental, consequential or special damages, including but not limited to, damage, loss of life, loss of property or equipment, loss of profits or revenue, injury, or claims from any individual or entity arising from the use of this product.

The warranty for this product, if any, may give you ("Buyer") specific legal rights, and Buyer may also have other rights which may vary from state to state. The installation of this product may void or otherwise adversely affect your factory warranty.

Consult your vehicle warranty before using this Product. Under no circumstances will SuperATV® be liable for the voidance of the Buyer's vehicle warranty. Buyer assumes all risk and responsibility if a manufacturer and/or dealer voids the Buyer's vehicle warranty due to use of this Product.

Safety and Laws. Operate your vehicle at all times in a safe manner. You must abide by all local, state, and federal laws, including but not limited to vehicle safety, traffic laws, and ordinances. It is your responsibility to know the laws and how they apply to you. The installation of this product may violate certain local, state, and federal laws. Be advised that laws vary depending on town, city, county, state, etc. Use of this product on public streets, roads, or highways may be in violation law. The Buyer is solely and exclusively legally and personally responsible for any violation of the law by the installation or use of this product. In no case will SuperATV® be held liable if Buyer violates the law or uses the product in an unsafe manner.

The Buyer is responsible to fully understand the capability and limitations of his/her vehicle according to manufacturer specifications, warnings and instructions and agrees to hold SuperATV® harmless from any damage resulting from failure to adhere to such specifications, warnings and/ or instructions. The Buyer is also responsible to obey all applicable federal, state, and local laws when operating his/her vehicle while using this product, and the Buyer agrees to hold SuperATV® harmless from any violation thereof.

Installation. The installation of this product on your vehicle indicates that you have had the opportunity to inquire about applicable local, state, and federal laws and ordinances and that you have read and understand, and accept all of the terms of, this Disclaimer.

SuperATV® shall not be responsible for the proper installation, use, and service of this product. Rather, the Buyer shall be solely responsible for the installation of the product and any damage that may be done to the vehicle or vehicle components as a result of modifications made by the Buyer.

- Remove Shipping Plug from Heater.

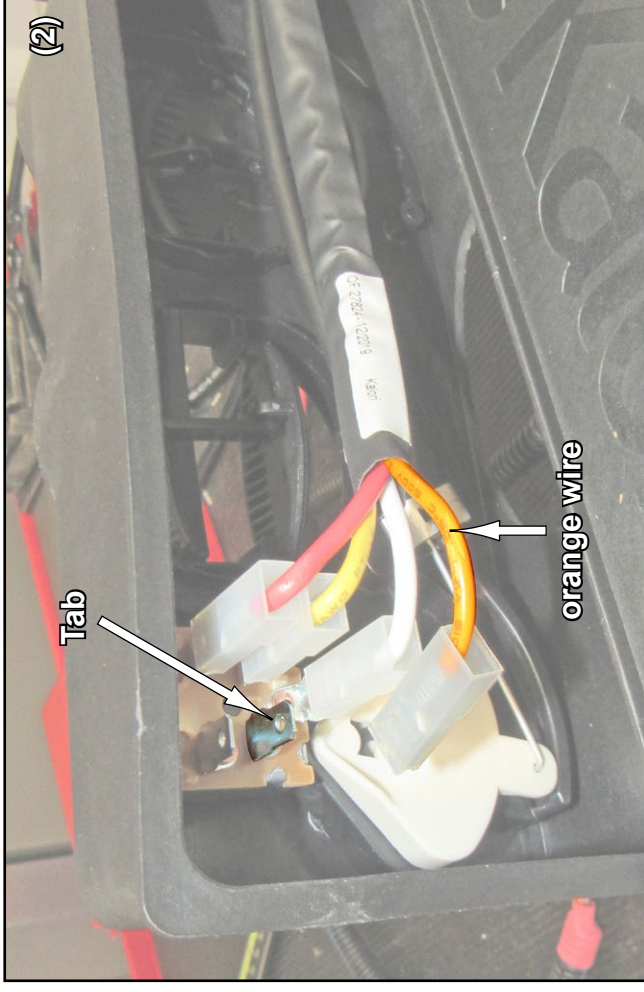


Verify wiring shown below is connected before installing.

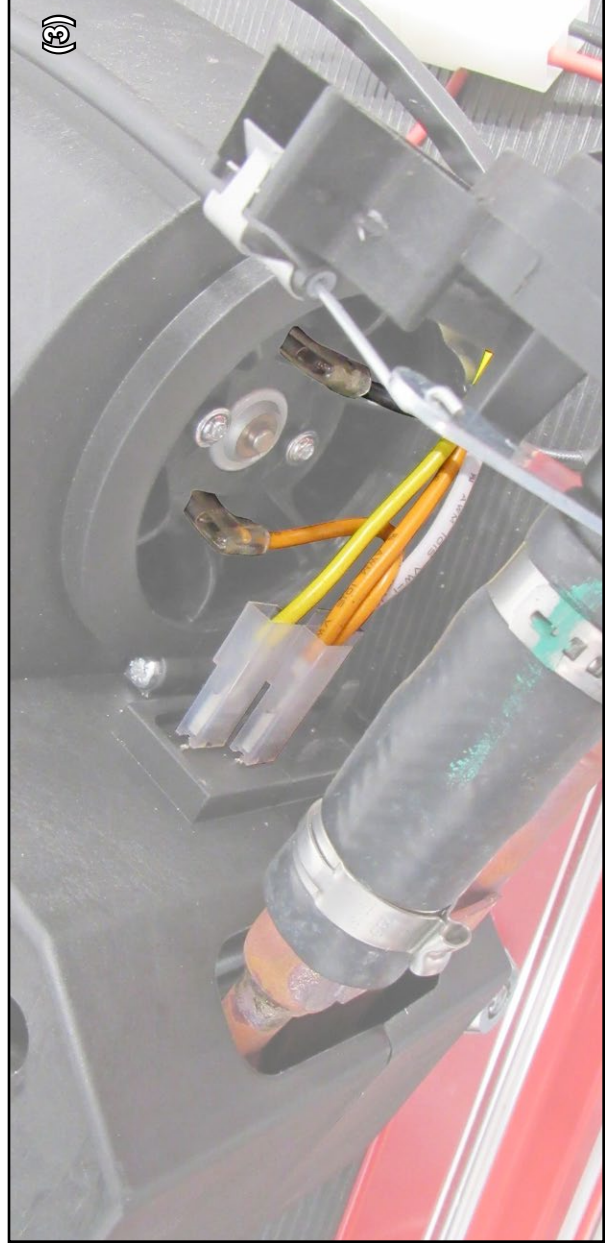
- Open Vent, insert finger, and pull Controls away from Base.



- If not connected, connect orange wire to Tab shown.

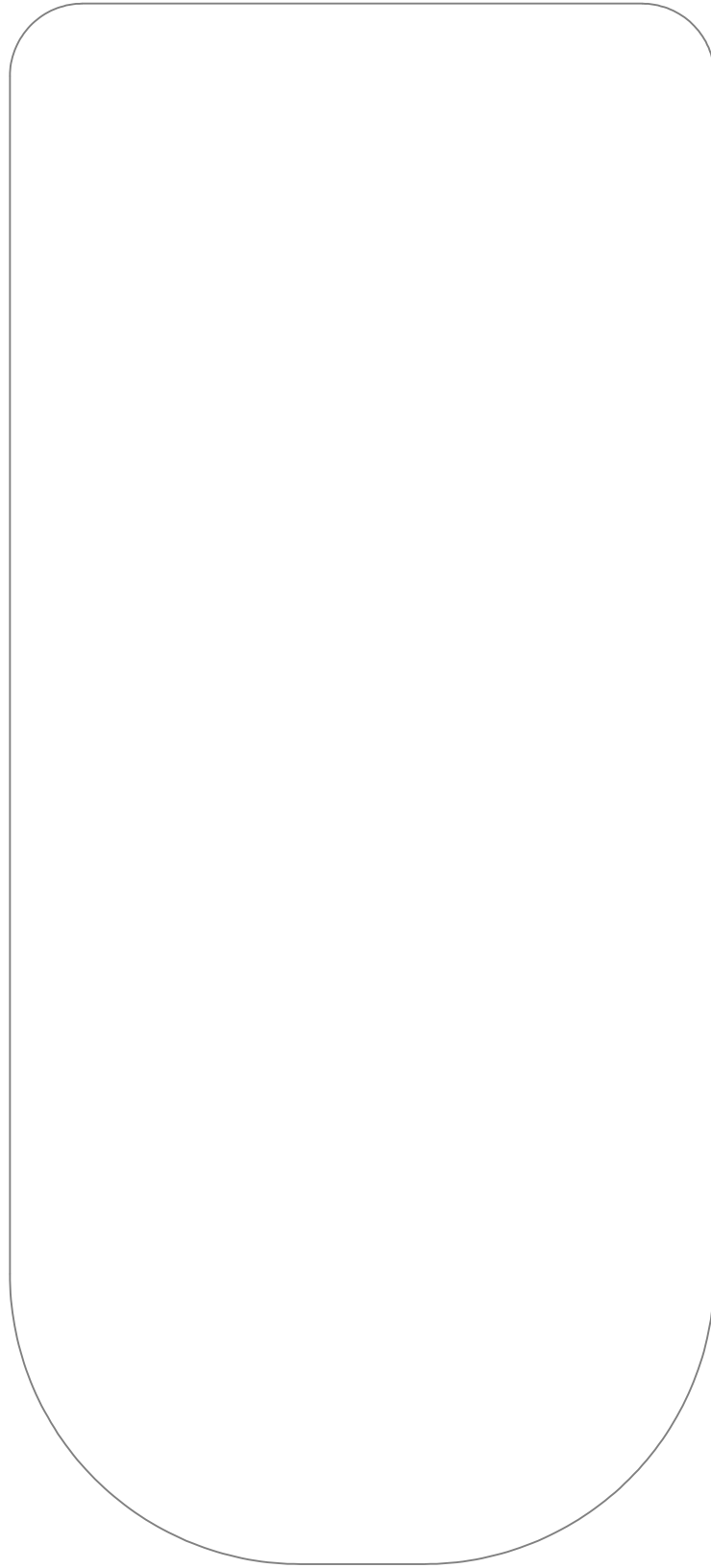


- Verify that all connections shown are connected and secure.
- Push Controls back into Base.

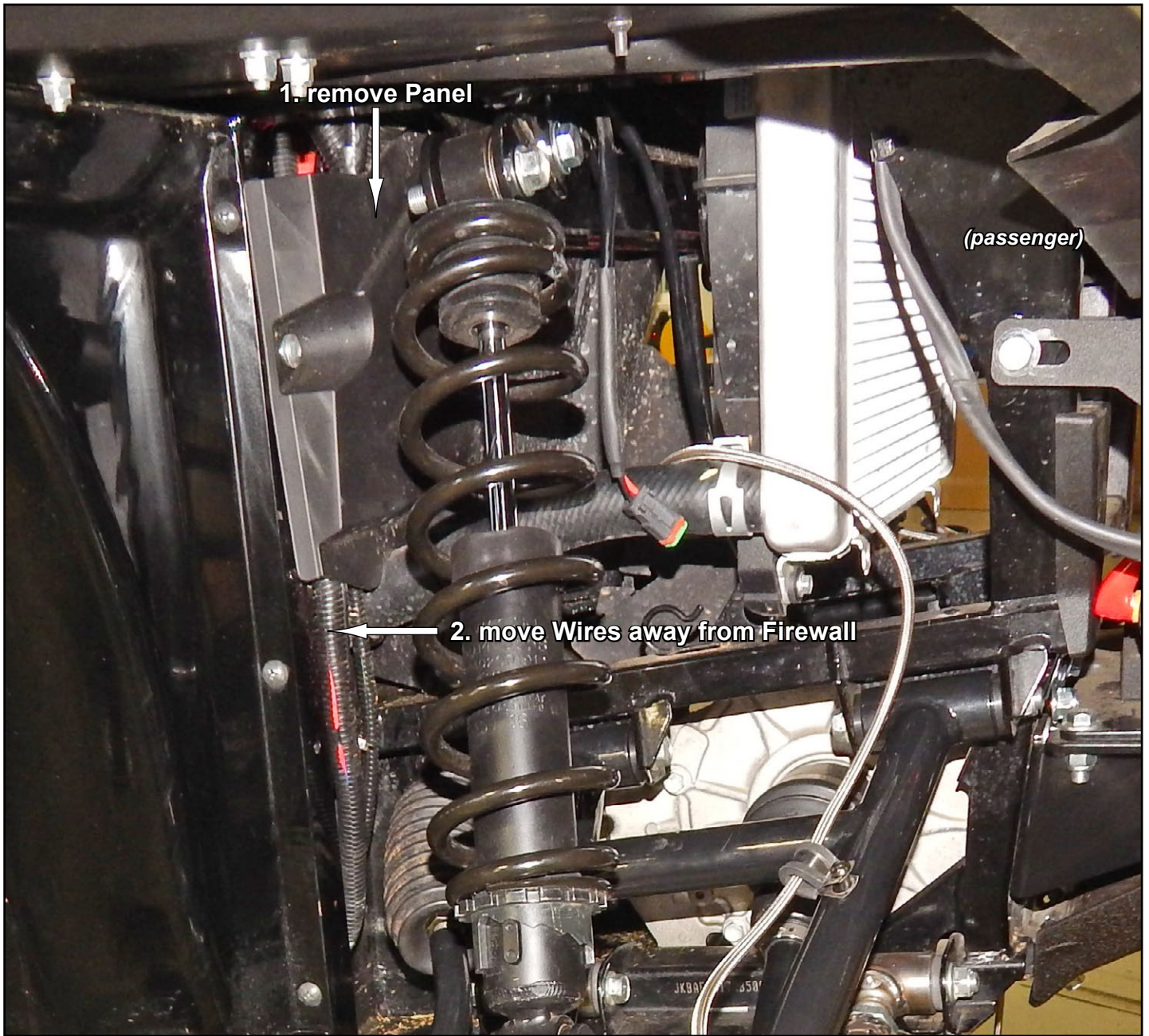


this page intentionally blank

- Follow profile and cut out template.
- Attach to location shown with tape. See page 8.
- Follow mark and cut through plastic.

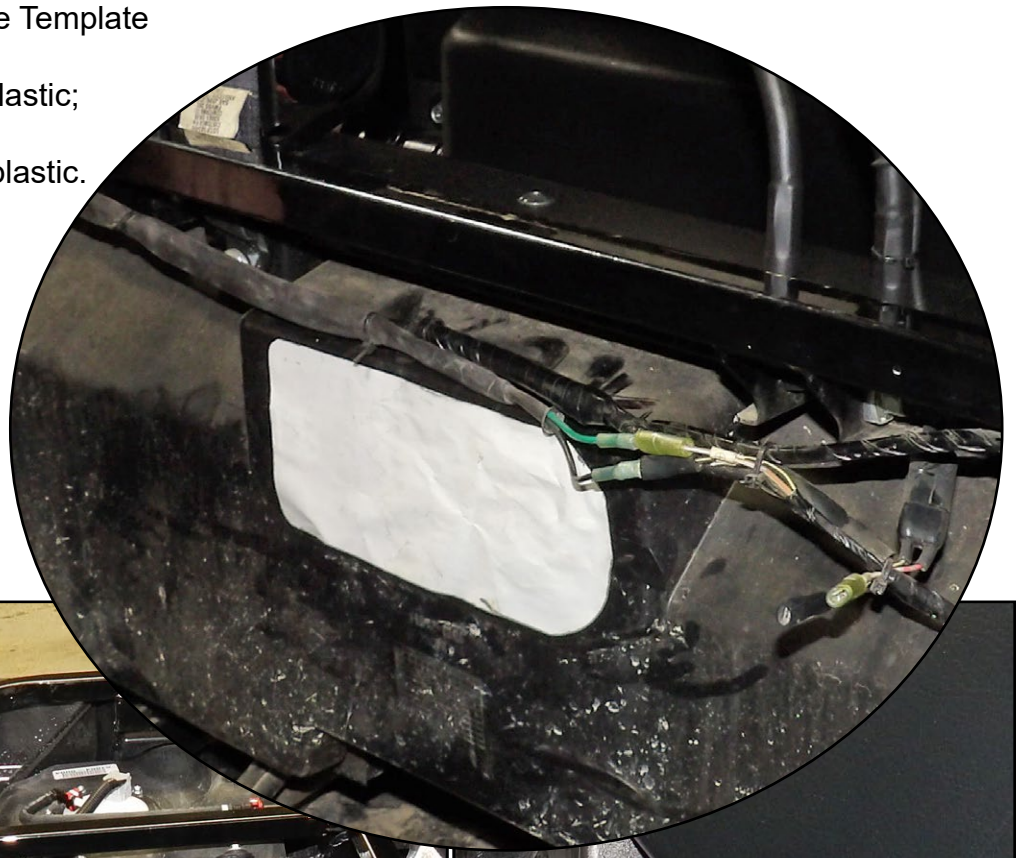


this page intentionally blank



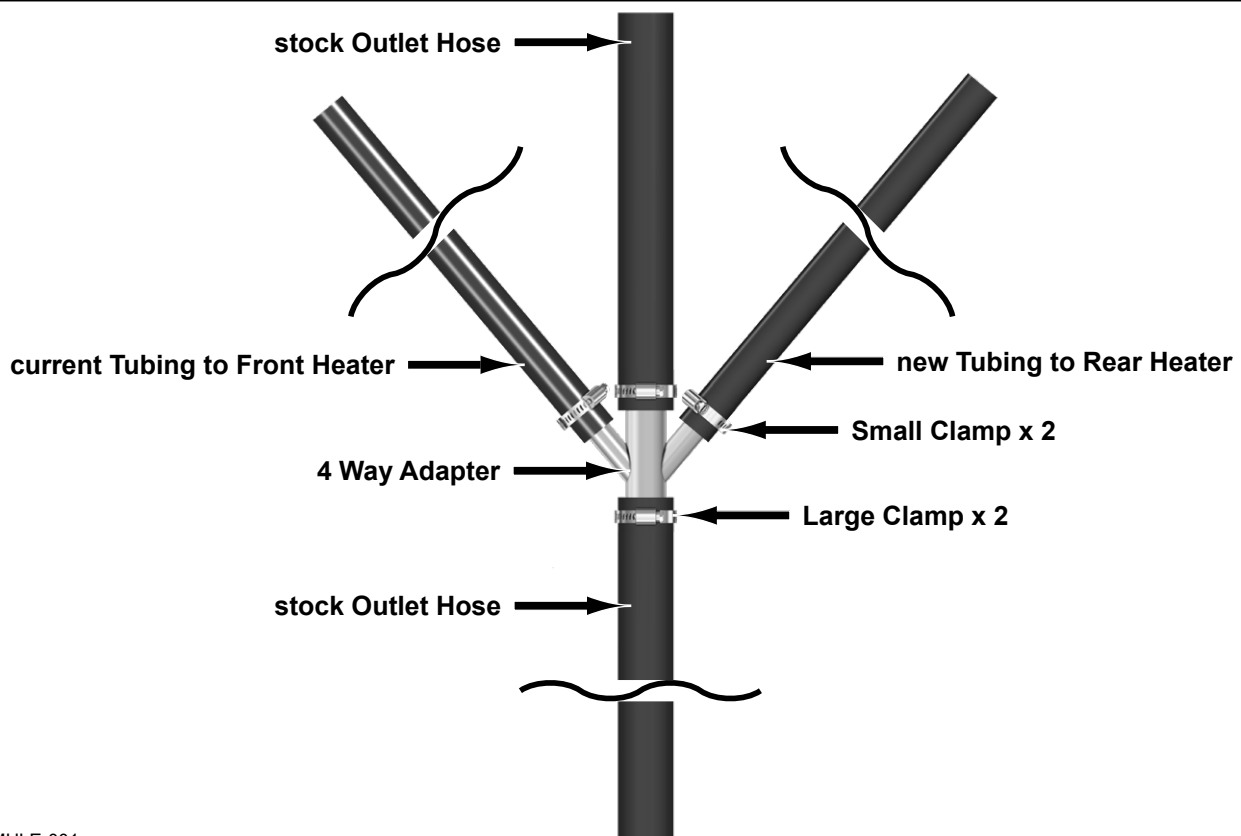
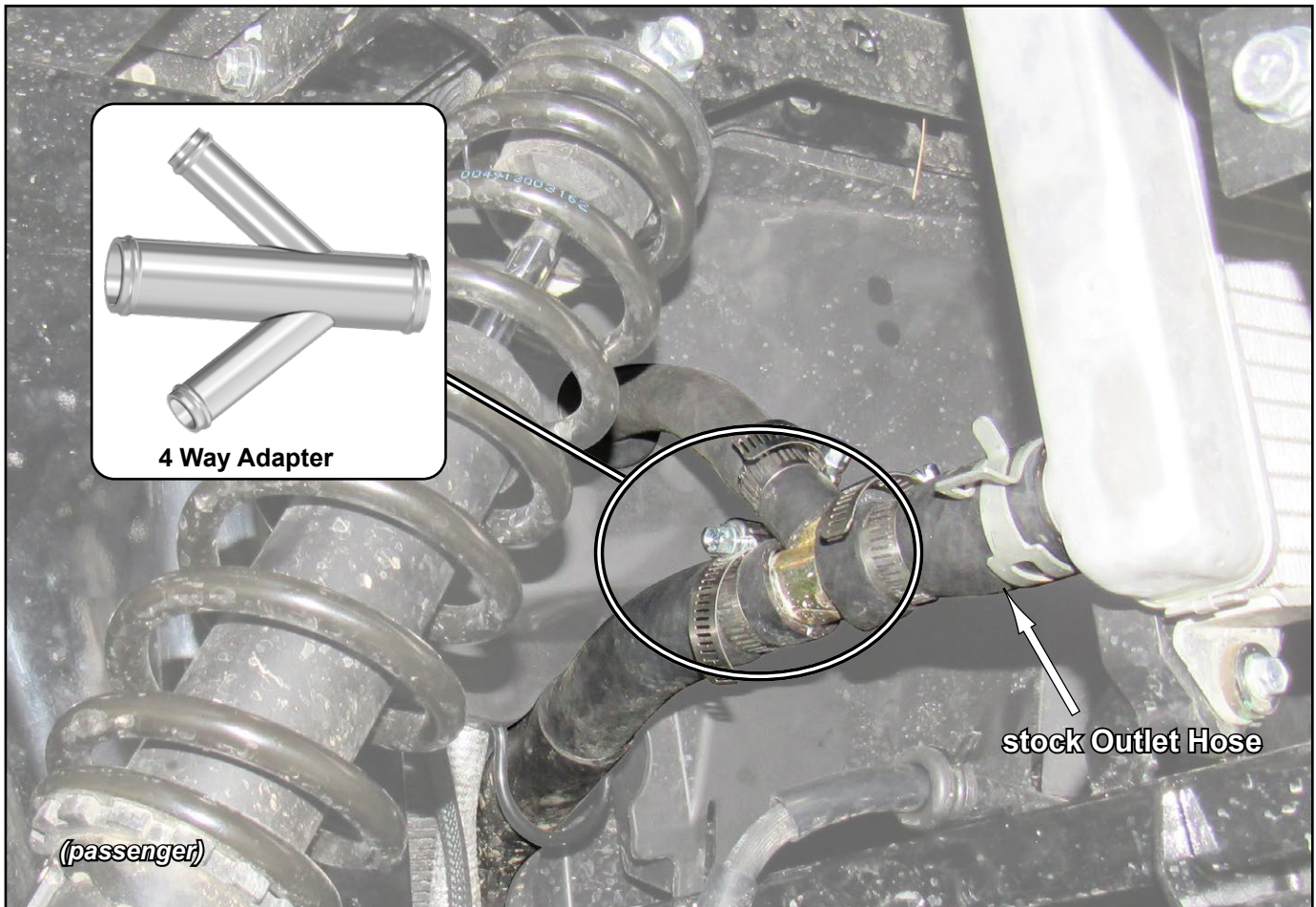
Reinstall components after Rear Heater installation has been completed.

- Flip Front Seat forward and tape Template into location shown.
- Mark outline of Template onto plastic; remove Template.
- Follow outline and cut through plastic.



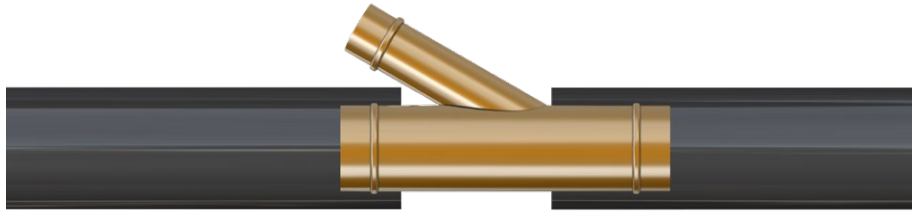
**IF NO FRONT HEATER IS PRESENT, OR NOT BEING INSTALLED AT THIS TIME,
SEE FOLLOWING PAGE FOR REAR HEATER ONLY INSTALLATION.**

- Replace Adapter with 4 Way Adapter. Secure with Large Clamps.
- See below illustration for Hose and Tubing connections.

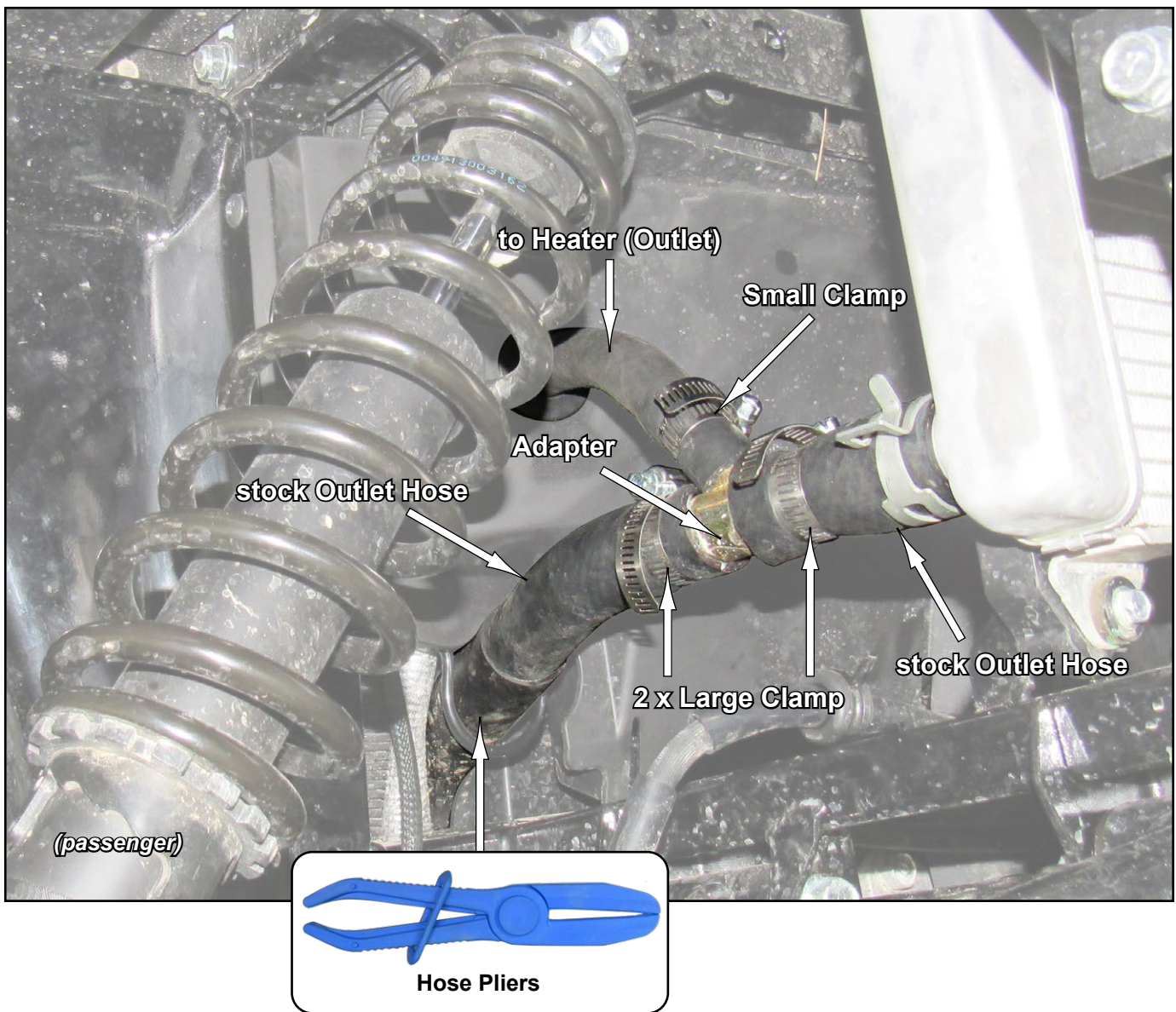


- Raise front of vehicle and place on jack stands.
- Clamp Lower Radiator Hose as close to Firewall as possible with Hose Pliers as shown.
- Remove stock Outlet Hose and drain coolant from Radiator.

To prevent stock Radiator Hoses from being cut short, use provided Adapters as templates.



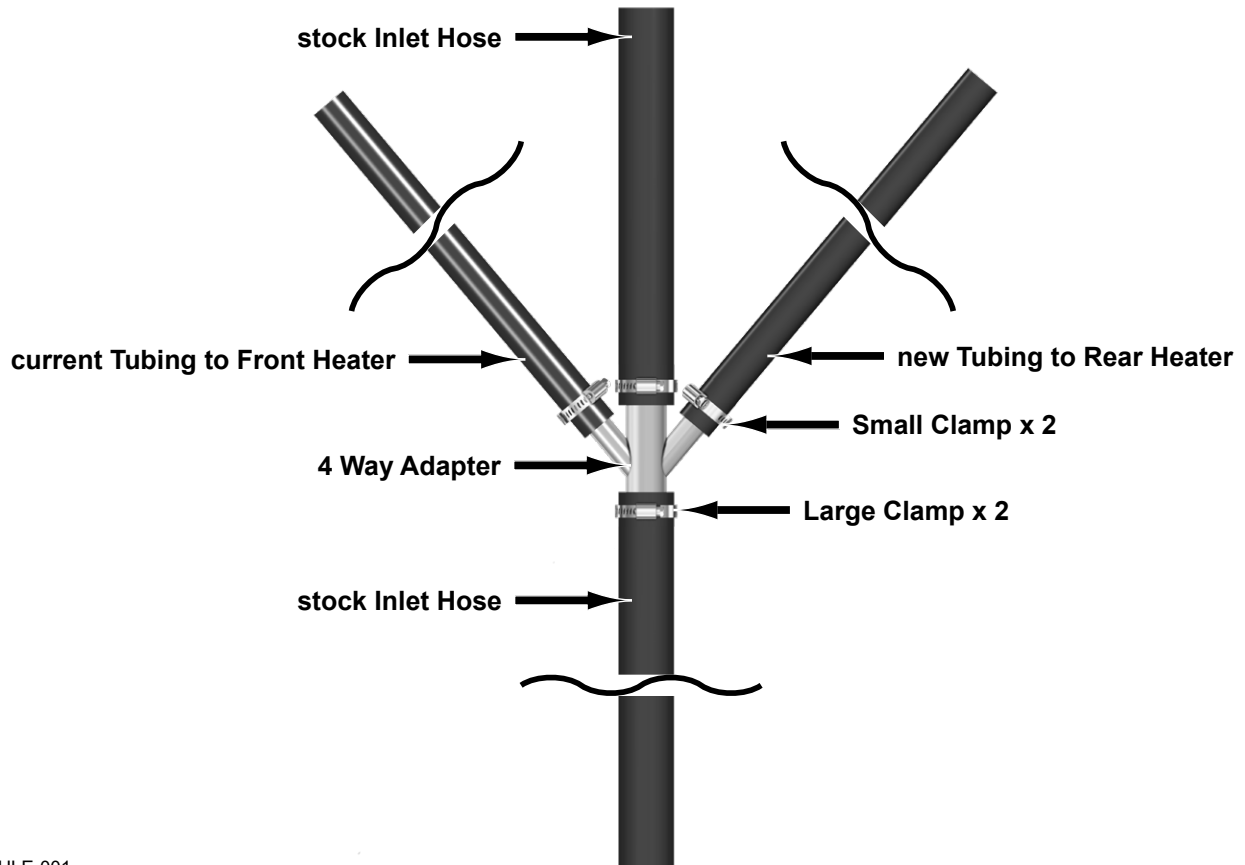
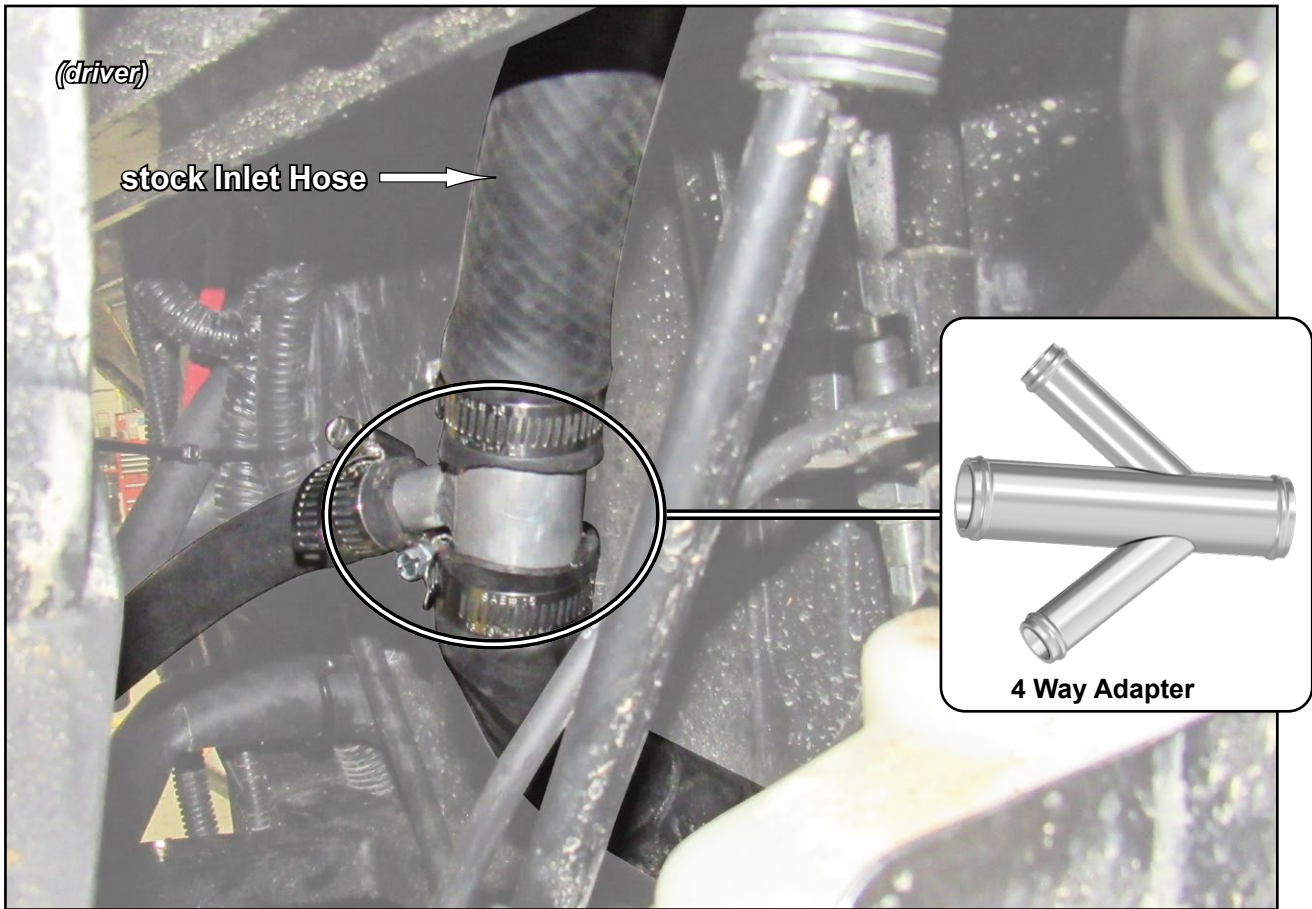
- Mark locations on stock Outlet Hose to be cut.
- Cut Outlet Hose and install Adapter.
- Secure with provided Large Clamps.
- Connect Tubing to Adapter and secure with Small Clamp.
- Route Tubing to Heater.



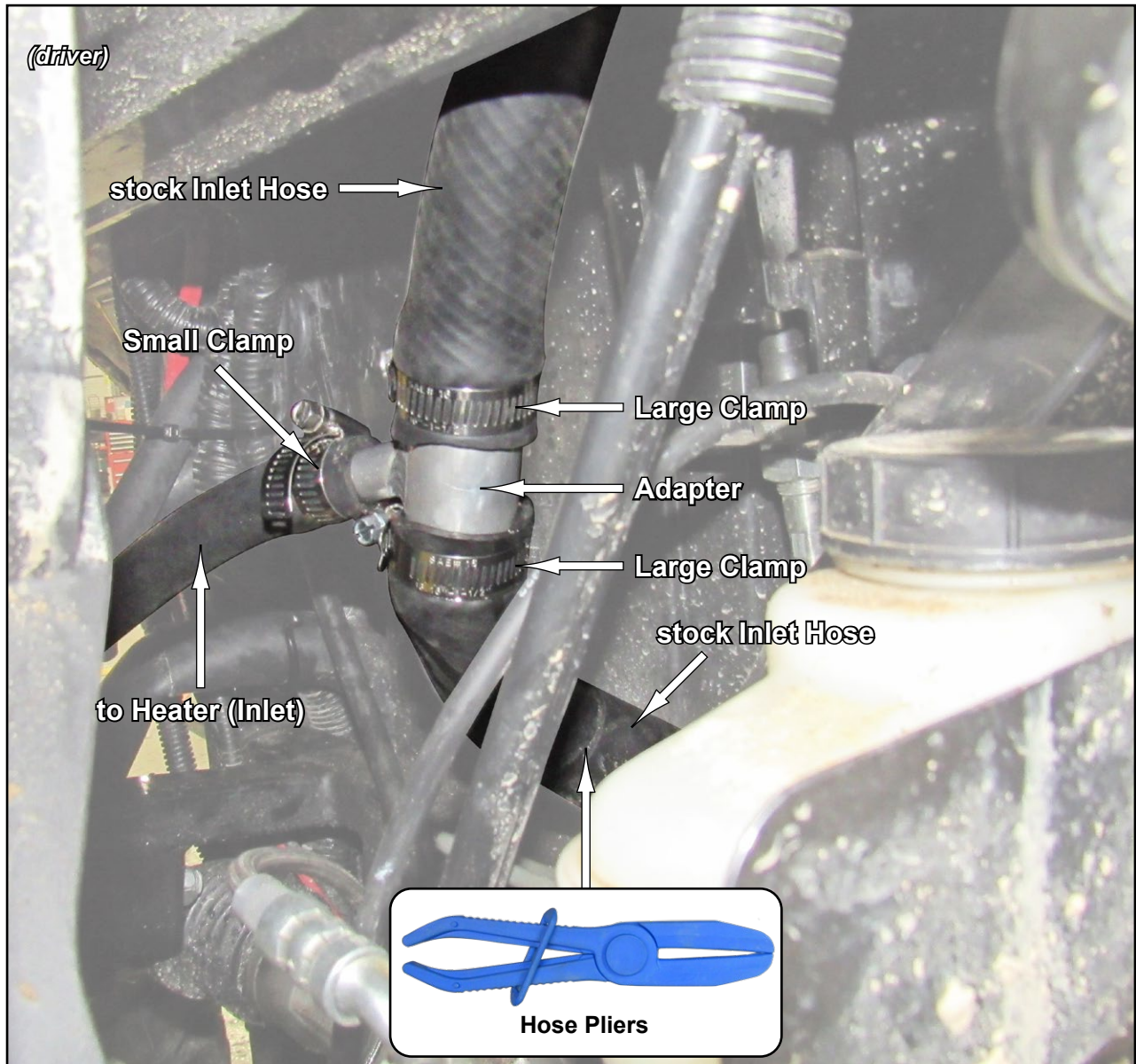
- Remove Hose Pliers.

**IF NO FRONT HEATER IS PRESENT, OR NOT BEING INSTALLED AT THIS TIME,
SEE FOLLOWING PAGE FOR REAR HEATER ONLY INSTALLATION.**

- Replace Adapter with 4 Way Adapter. Secure with Large Clamps.
- See below illustration for Hose and Tubing connections.

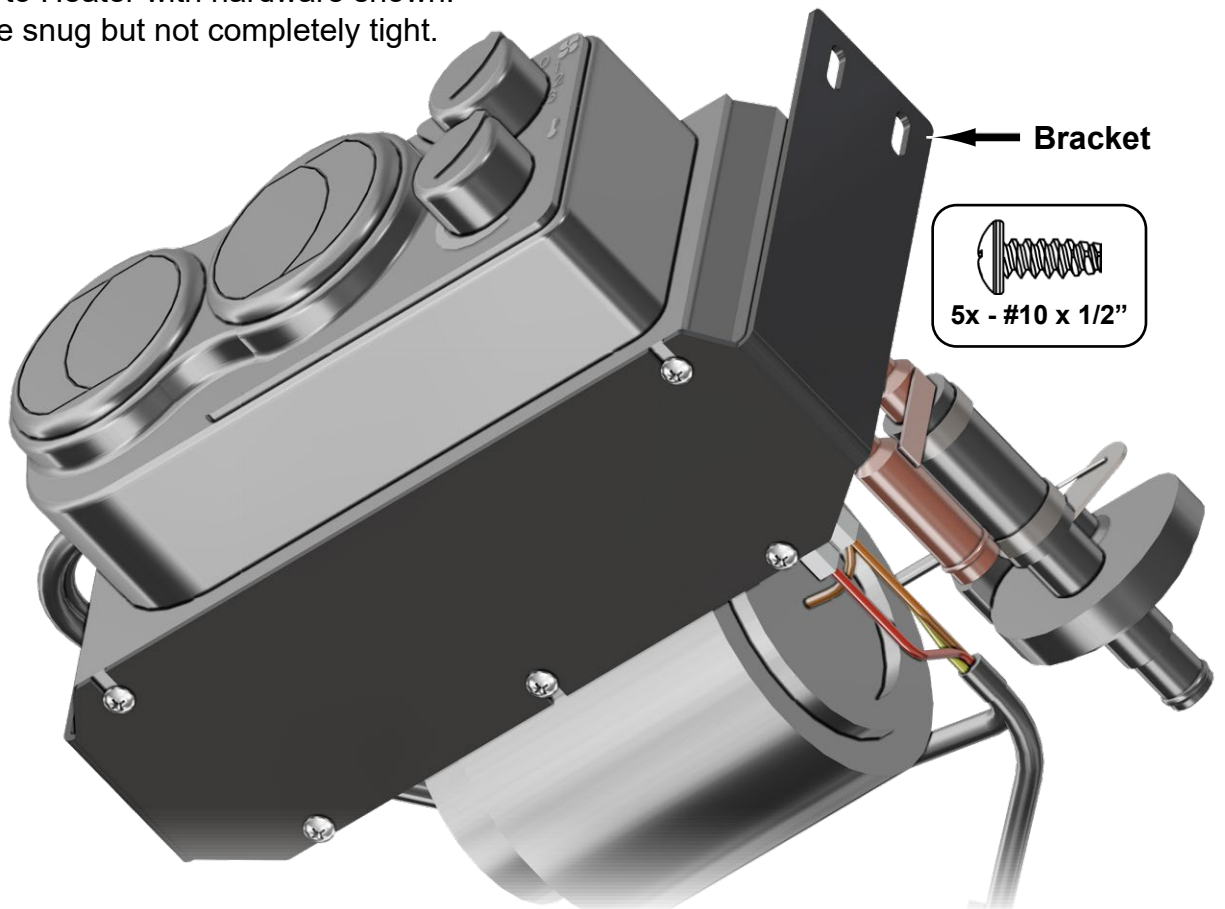


- Mark locations on stock Inlet Hose to be cut.
- Clamp Inlet Hose as close to Firewall as possible with Hose Pliers as shown.
- Cut Hose and install Adapter.
- Secure with provided Large Clamps.
- Connect Tubing to Adapter and secure with Small Clamp.
- Route Tubing to Heater.

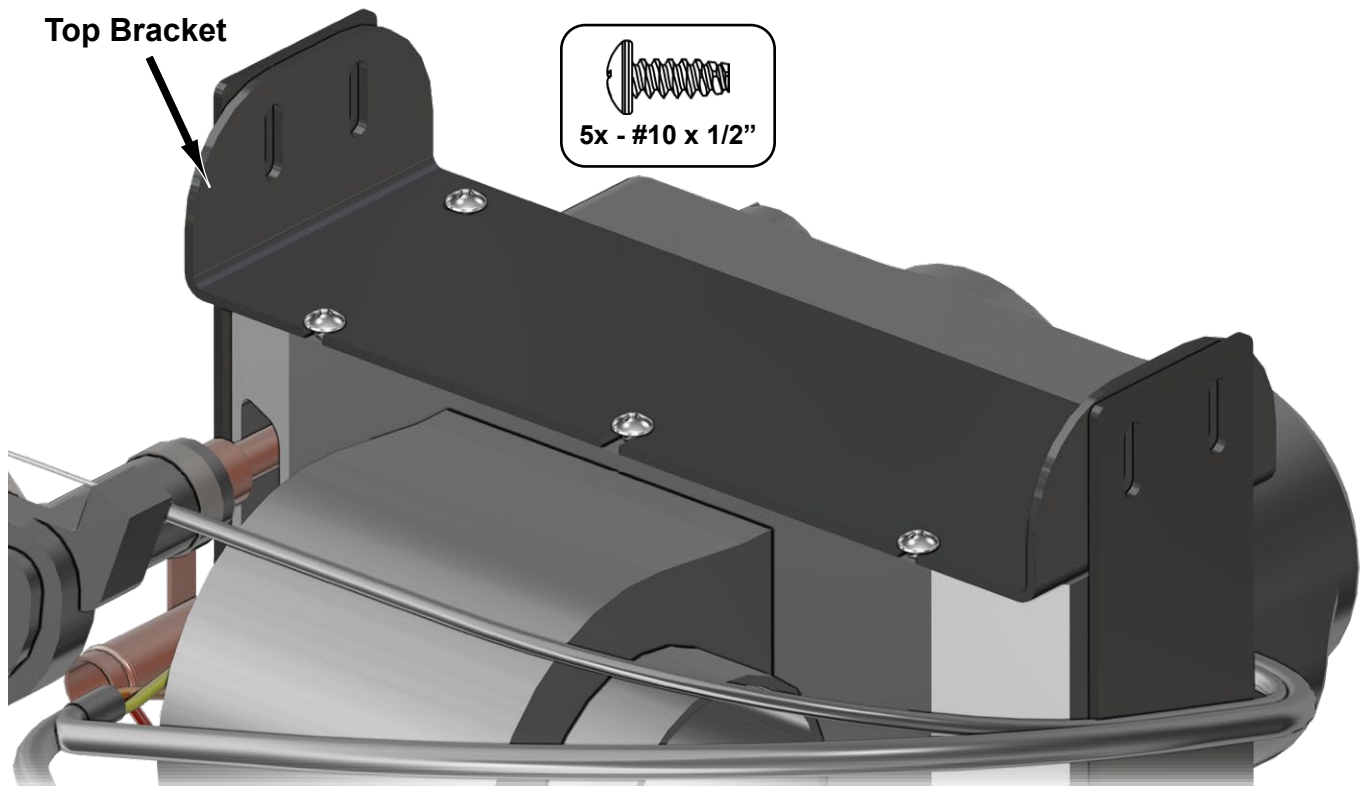


-Remove Hose Pliers.

- Install Bracket to Heater with hardware shown.
- Hardware to be snug but not completely tight.



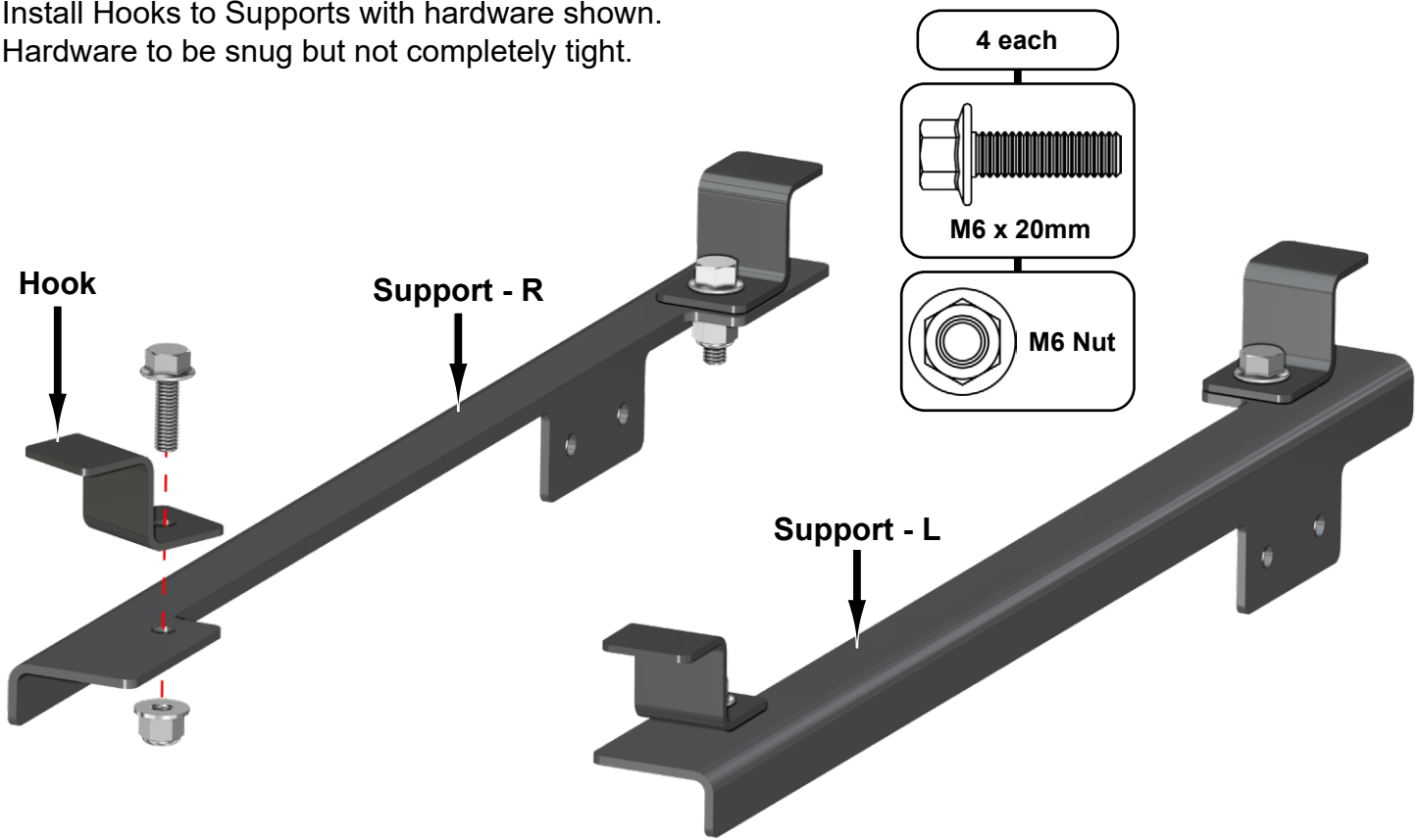
- Install Top Bracket to Heater with hardware shown.
- Hardware to be snug but not completely tight.



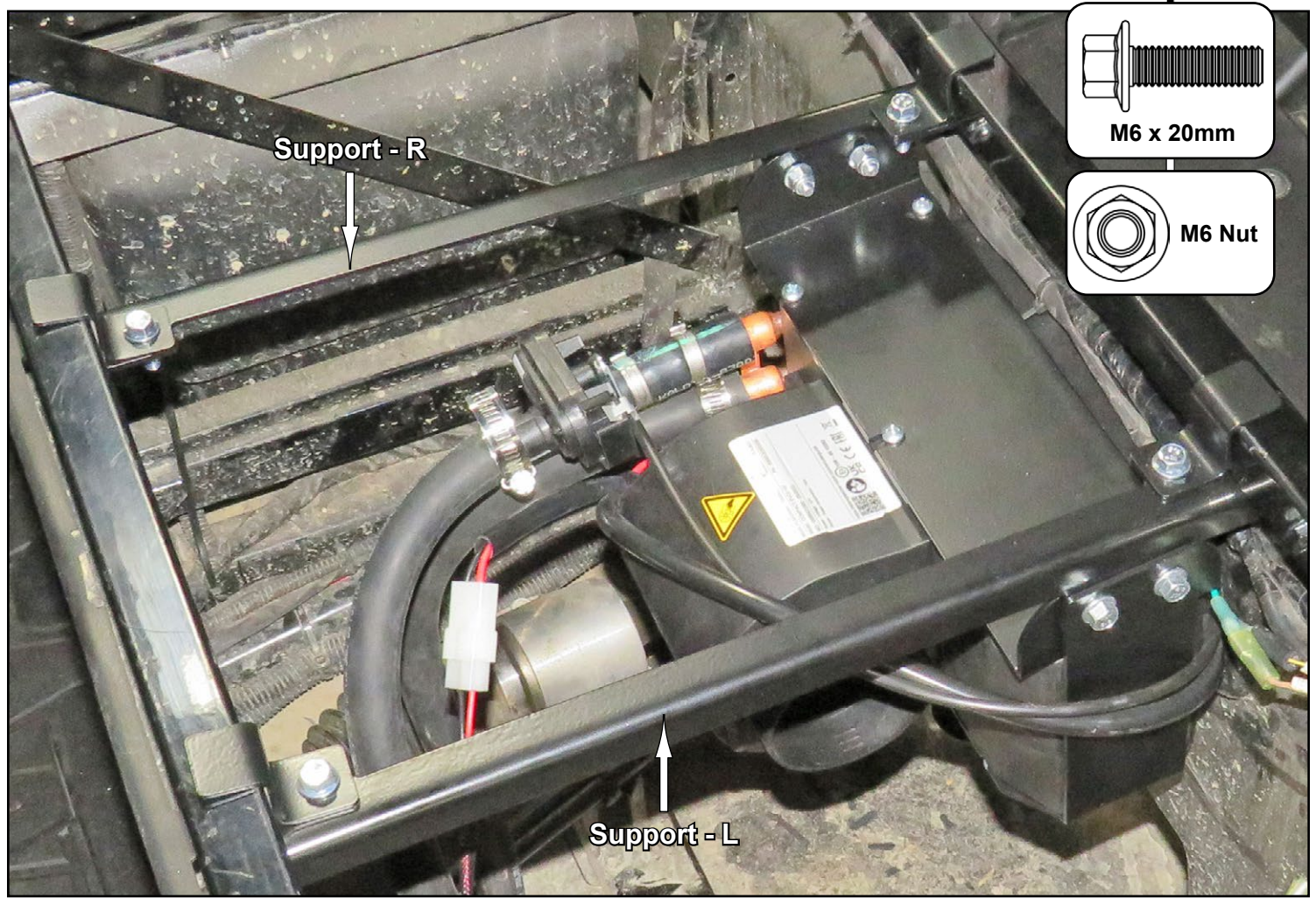
- Place Heater into cutout.
- Trim Tubing to length and connect to Heater. Secure with provided Clamps.



- Install Hooks to Supports with hardware shown.
- Hardware to be snug but not completely tight.



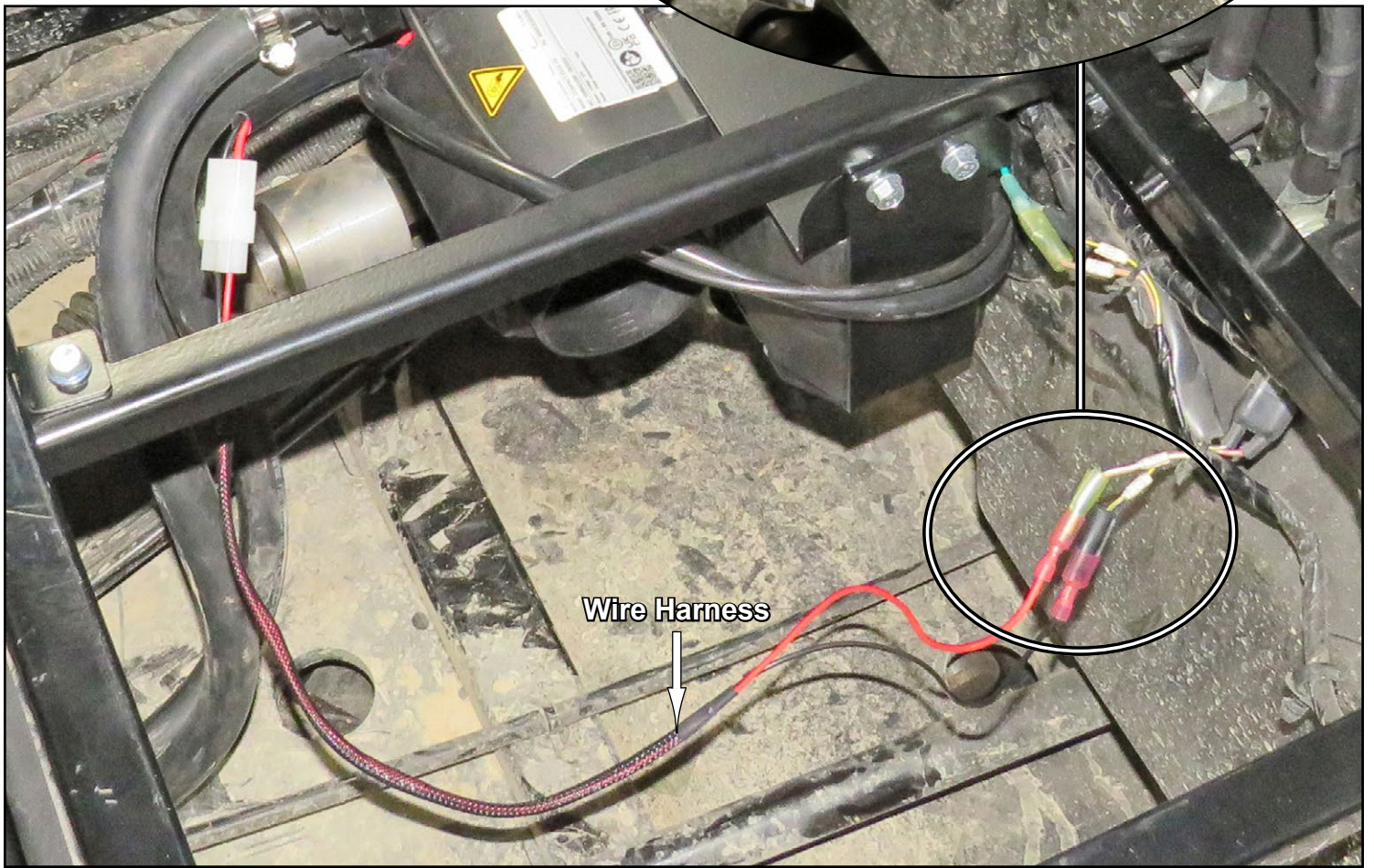
- Place Supports into machine in locations shown.
- Secure Heater to Supports with hardware shown.



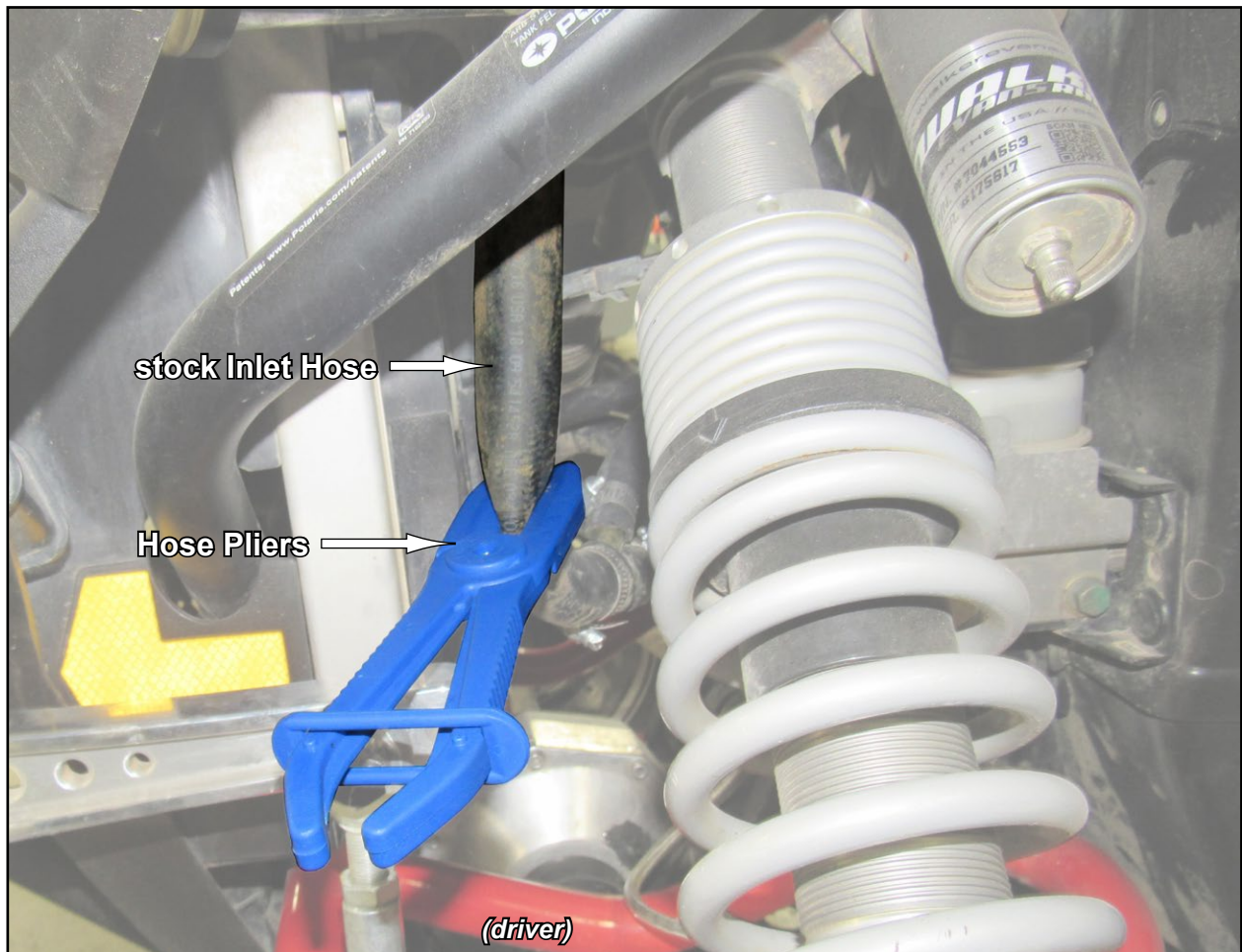
- Align Heater to cutout and tighten all hardware.



- Plug Wire Harness into Heater and stock wiring.



- Place machine back on ground.
- Fill coolant level to manufacturers recommended setting.
- Start machine and run at 3000 RPM until engine is hot.
- Use provided Hose Pliers and pinch off Inlet Hose as shown below.



- Remove Hose Pliers after Radiator Fan turns ON.
- After Radiator Fan turns OFF, pinch Inlet Hose again and remove after Radiator Fan turns ON.
- Turn machine off and let engine completely cool; may take several hours.
- Check Coolant Level in Radiator and Reservoir; adjust as needed.
- Start machine and repeat “pinch” steps again.