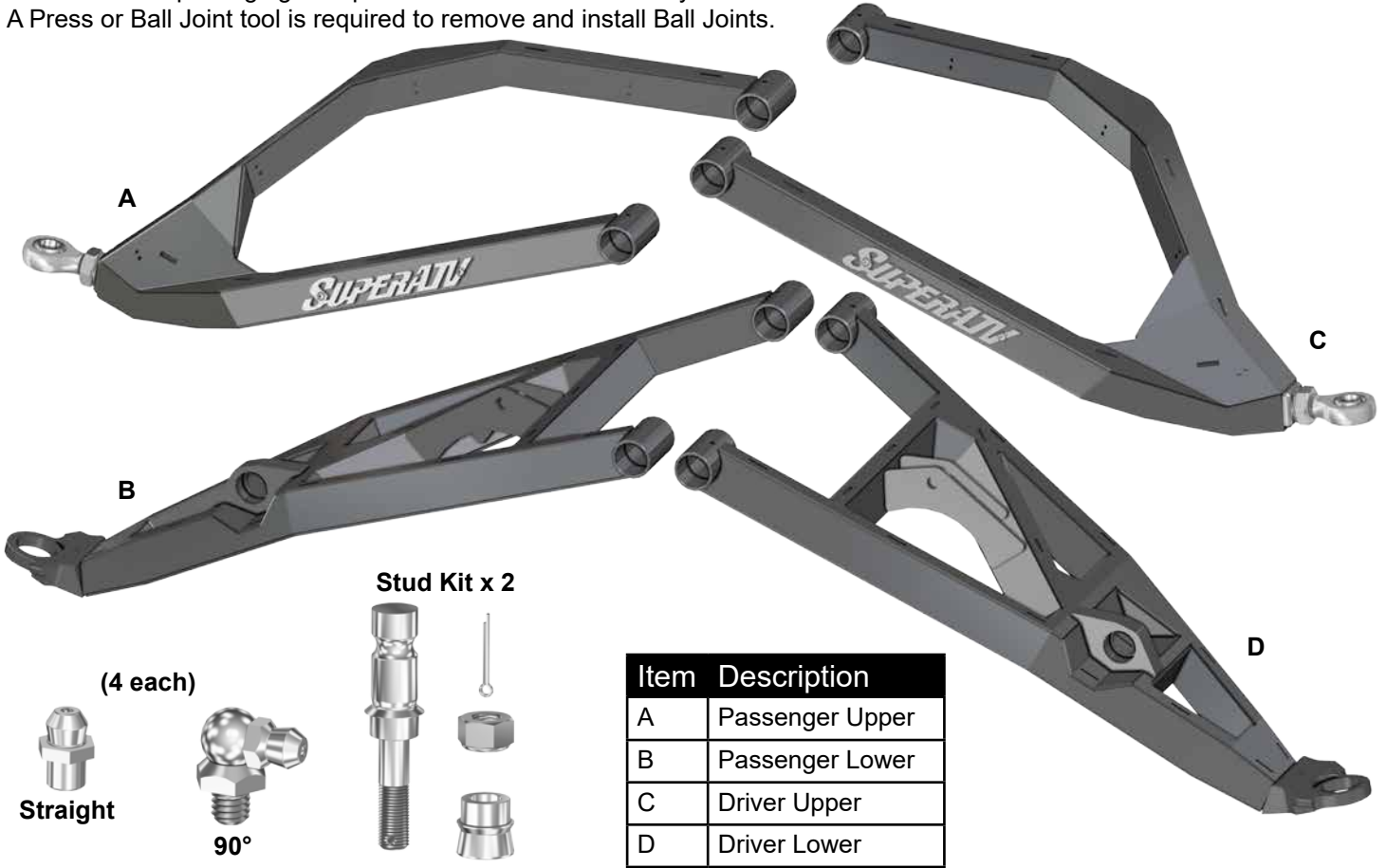


INSTALLATION INSTRUCTIONS
Front A-Arms: for Polaris RZR Pro R[®]

- Do not discard packaging until product has been successfully installed.
- A Press or Ball Joint tool is required to remove and install Ball Joints.



Item	Description
A	Passenger Upper
B	Passenger Lower
C	Driver Upper
D	Driver Lower

Liability Statement
 SuperATV's[®] products are designed to best fit user's ATV/UTV under stock conditions. Adding, modifying, or fabricating any factory or aftermarket parts will void any warranty provided by SuperATV[®] and is not recommended. SuperATV's[®] products could interfere with other aftermarket accessories. If user has aftermarket products on machine, contact SuperATV[®] to verify that they will work together.

Although SuperATV[®] has thousands of satisfied customers, user should be aware that installing lift kits, long travel, or suspension kits, tires, etc. will change the ride of machine and may increase maintenance and part wear. Operating any off-road machine while, or after, consuming alcohol and/or drugs increases risk of bodily harm or death. No warranty or representation is made as to this product's ability to protect user from severe injury or death. SuperATV[®] urges operators and occupants to wear a helmet and appropriate riding gear at all times.

By purchasing and installing SuperATV[®] products, user agrees that should damages occur, SuperATV[®] will not be held responsible for loss of time, use, labor fees, replacement parts, or freight charges. SuperATV[®], nor any 3rd party, will not be held responsible for any direct, indirect, incidental, special, or consequential damages that result from any product purchased from SuperATV[®]. The total liability of seller to user for all damages, losses, and causes of action, if any, shall not exceed the total purchase price paid for the product that gave rise to the claim.

SuperATV[®] will warranty only parts provided by SuperATV[®]. Any damage or problems with OEM housings, bearings, seals, or other manufacturers' products will not be covered by SuperATV[®]. SuperATV[®] parts and products are not warranted if item was not installed properly, misused, or modified.

Installing, adding, modifying, or fabricating any factory or aftermarket product to your ATV/UTV may violate certain local, state, and federal laws. Be advised that laws vary depending on town, city, county, state, etc. Use of certain products on public streets, roads, or highways may be in violation law. The Buyer is solely and exclusively legally and personally responsible for any violation of the law by the installation or use of the product. You must abide by all local, state, and federal laws, including but not limited to vehicle safety, traffic laws, and ordinances. It is your responsibility to know the laws and how they apply to you.

The Buyer is responsible to fully understand the capability and limitations of his/her vehicle according to manufacturer specifications, warnings and instructions and agrees to hold SuperATV[®] harmless from any damage resulting from failure to adhere to such specifications, warnings and/ or instructions. The Buyer is also responsible to obey all applicable federal, state, and local laws and ordinances when operating his/her vehicle while using this product, and the Buyer agrees to hold SuperATV[®] harmless from any violation thereof.

Need help with your installation?

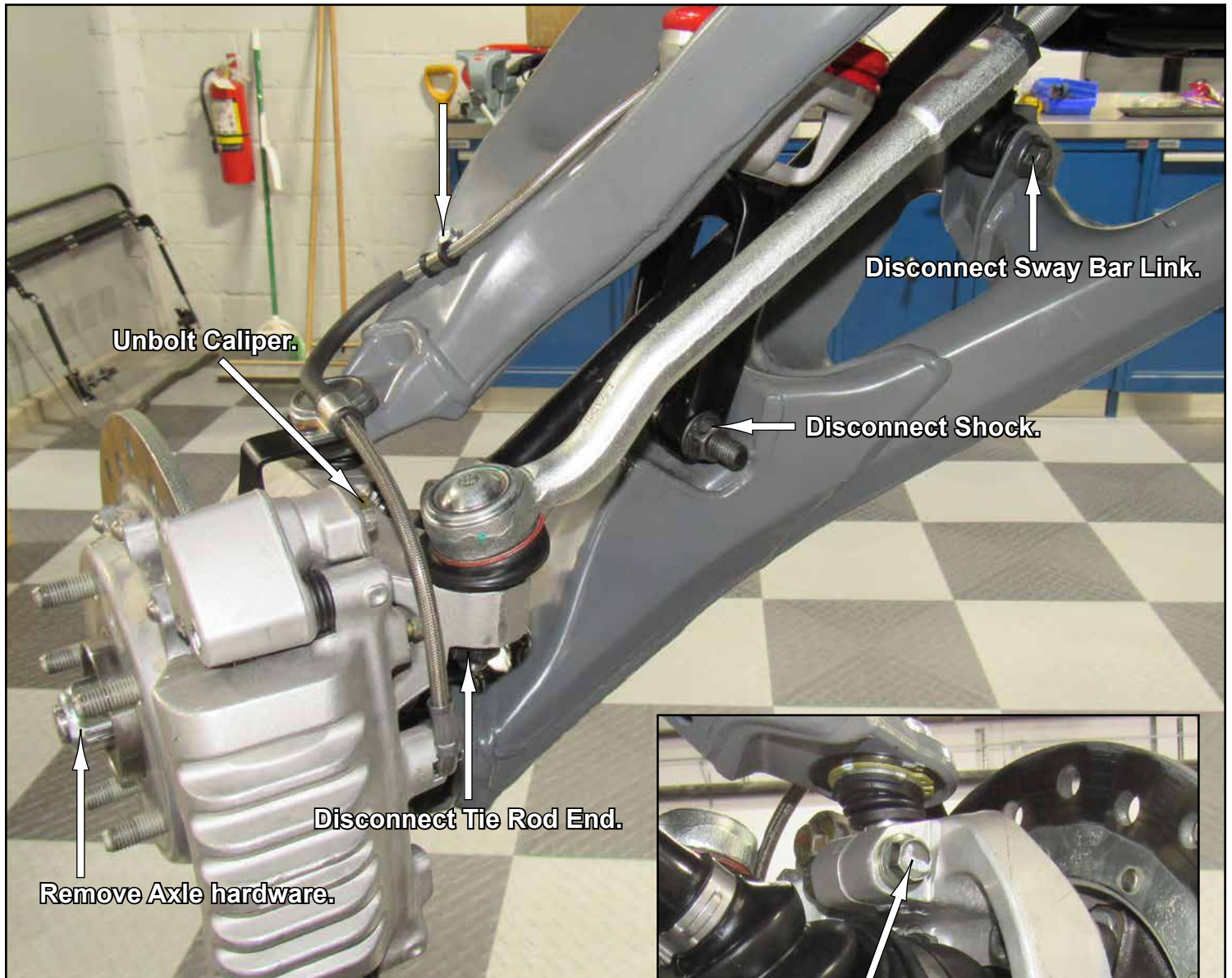
✉ sales@superatv.com 🌐 www.superatv.com

☎ 1-855-743-3427 🕒 8:00am - 8:00pm EST M-Th
 8:00am - 7:00pm EST Friday
 9:00am - 2:00pm EST Saturday

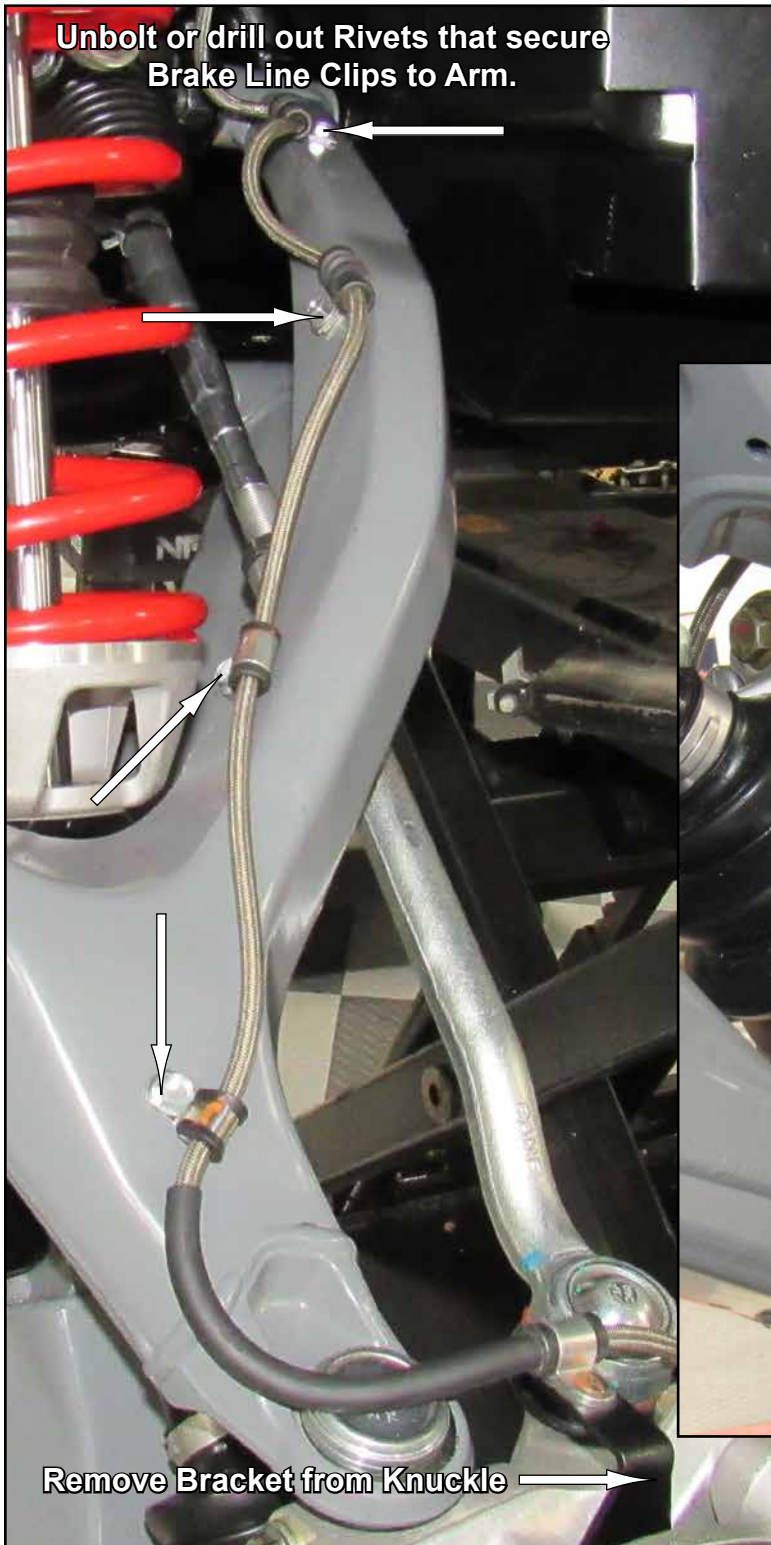
Read instructions and view illustrations before beginning.



Removal; Keep all components removed from machine.



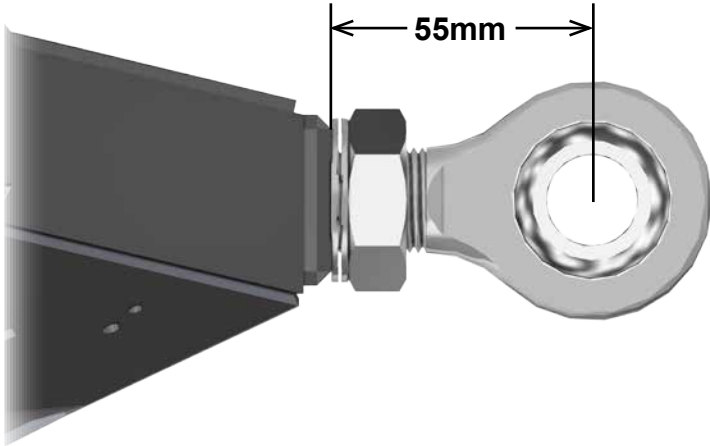
Removal continued; *Keep all components removed from machine.*



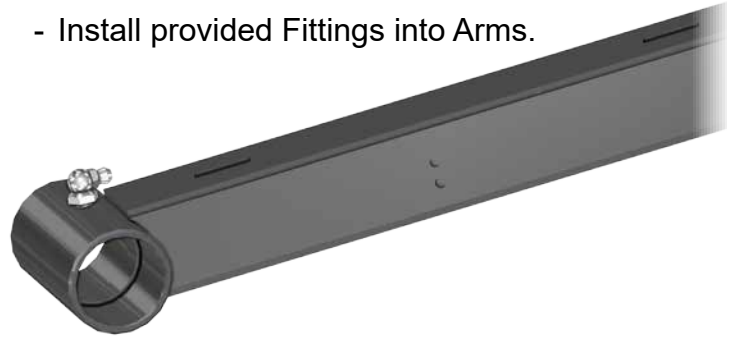
- Remove A-Arms from Frame.
- Repeat for opposite side.
- Remove Ball Joints from Lower A-Arms.
- Remove Bushings, Caps, and Pivot Shafts from Arms.

Face of Heim Block to center of Heim

- Place new Arms onto a flat surface and verify dimension shown.



- Install provided Fittings into Arms.



2x - 90°



2x - Straight

- Install Stud Kits into Upper Arms as shown; tighten.



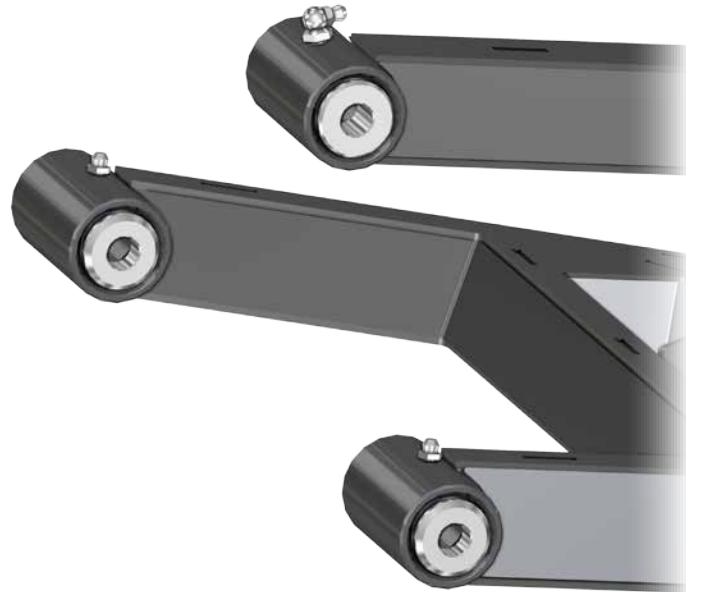
Upper Arm

- Install Ball Joints, in direction shown, into Lower Arms.





- Install stock Bushings, Caps, and Pivot Shafts into new Arms.



- Remove Snap Ring and place Bushing Removal Tool and hardware onto Shock Bushing.



- Remove Shock Bushing.



- Place Shock Bushing into Lower.



- Place Bushing Removal Tool and hardware onto Shock Bushing and press into Lower.
- Reinstall Snap Ring.



- Install new A-Arms to Frame with stock hardware and provided Nuts. SuperATV recommends using Loc-Tite on Nuts when installing; tighten hardware.



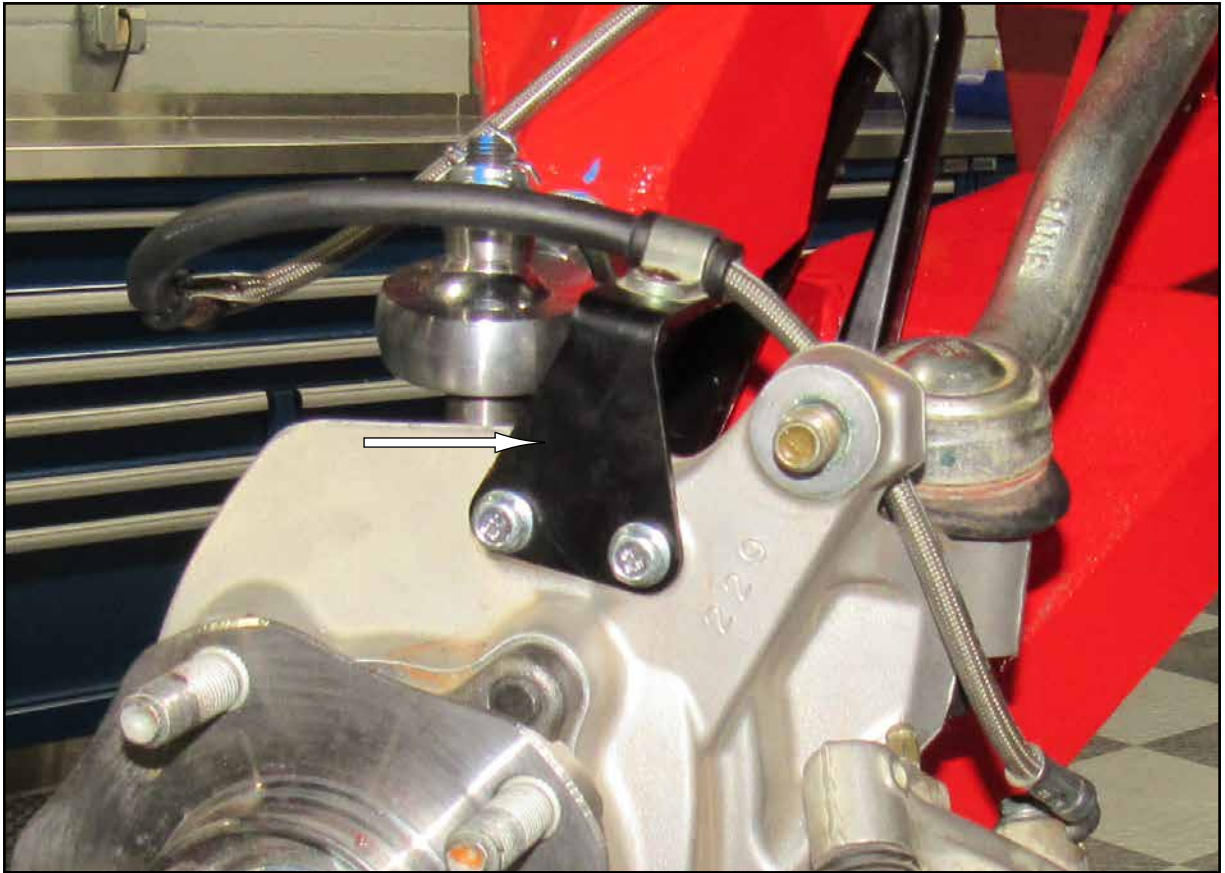
- Secure Shock, Knuckle, and Sway Bar Link to Lower with stock hardware; tighten.



- Secure Tie Rod and Upper to Knuckle with stock hardware; tighten.



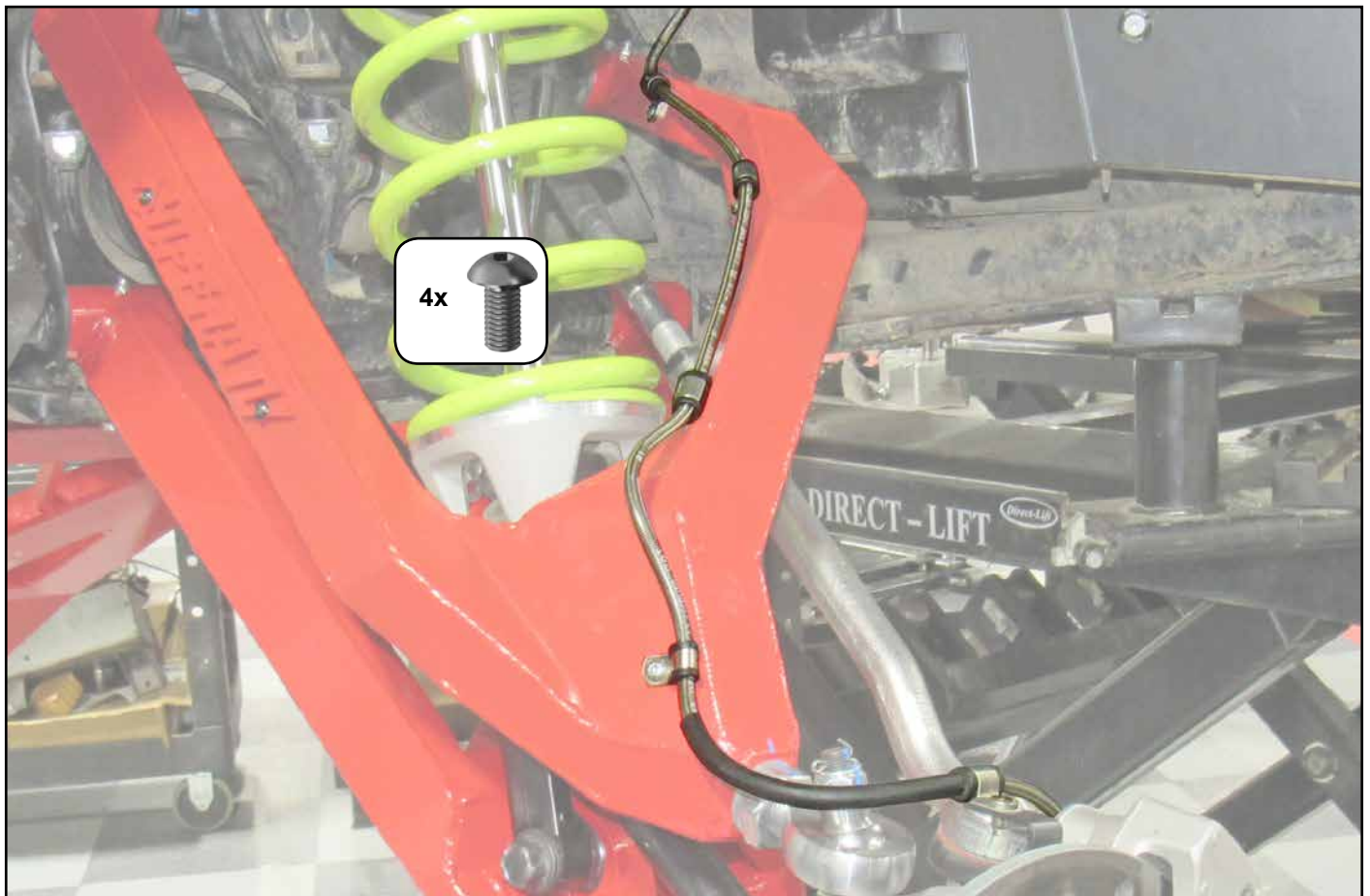
- Secure Bracket to Knuckle with stock hardware; tighten.



- Reinstall Rotor, Axle hardware, and Caliper.



- Secure Brake Lines to Upper with hardware shown; tighten.



- Repeat steps for passenger side installation.