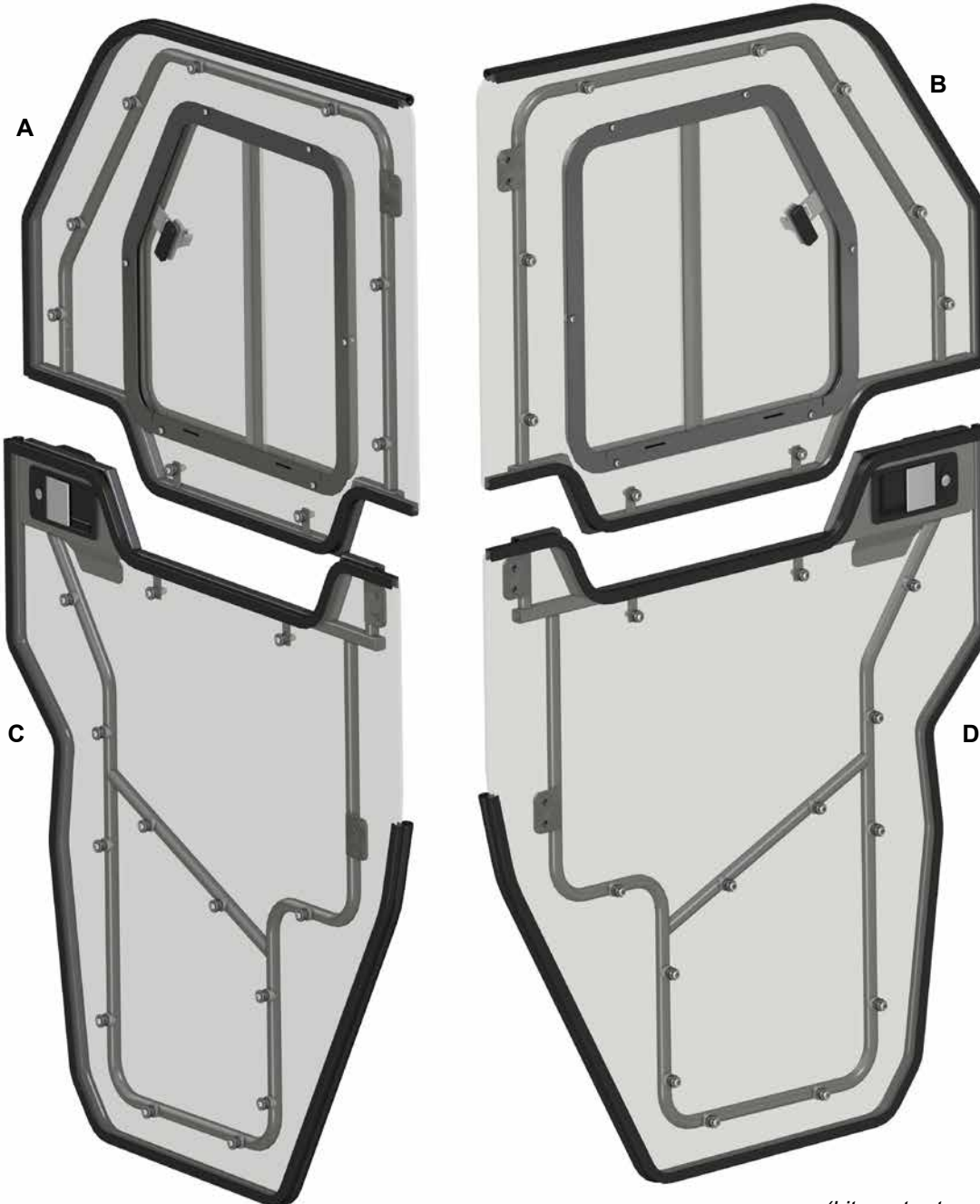


- Make sure door handles are unlocked before installing.
- Do not discard packaging until product has been successfully installed.
- This item is not returnable if the protective film has been removed.
- Test fit to the cage to confirm fitment before removing film.

Item	Description
A	Upper - D
B	Upper - P
C	Lower - D
D	Lower - P



(kit contents continue on following page)

**Need help with your installation?**



sales@superatv.com



www.superatv.com



1-855-743-3427



8:00am - 8:00pm EST M-Th  
8:00am - 7:00pm EST Friday  
9:00am - 2:00pm EST Saturday

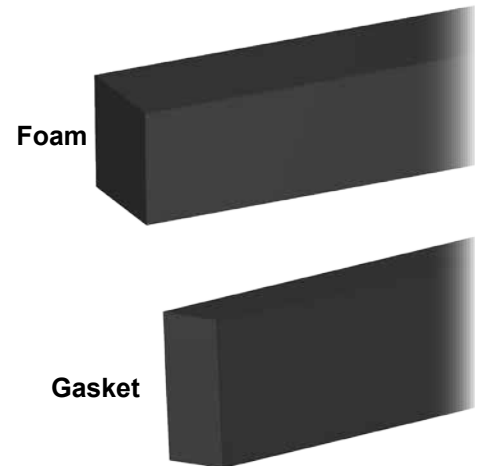
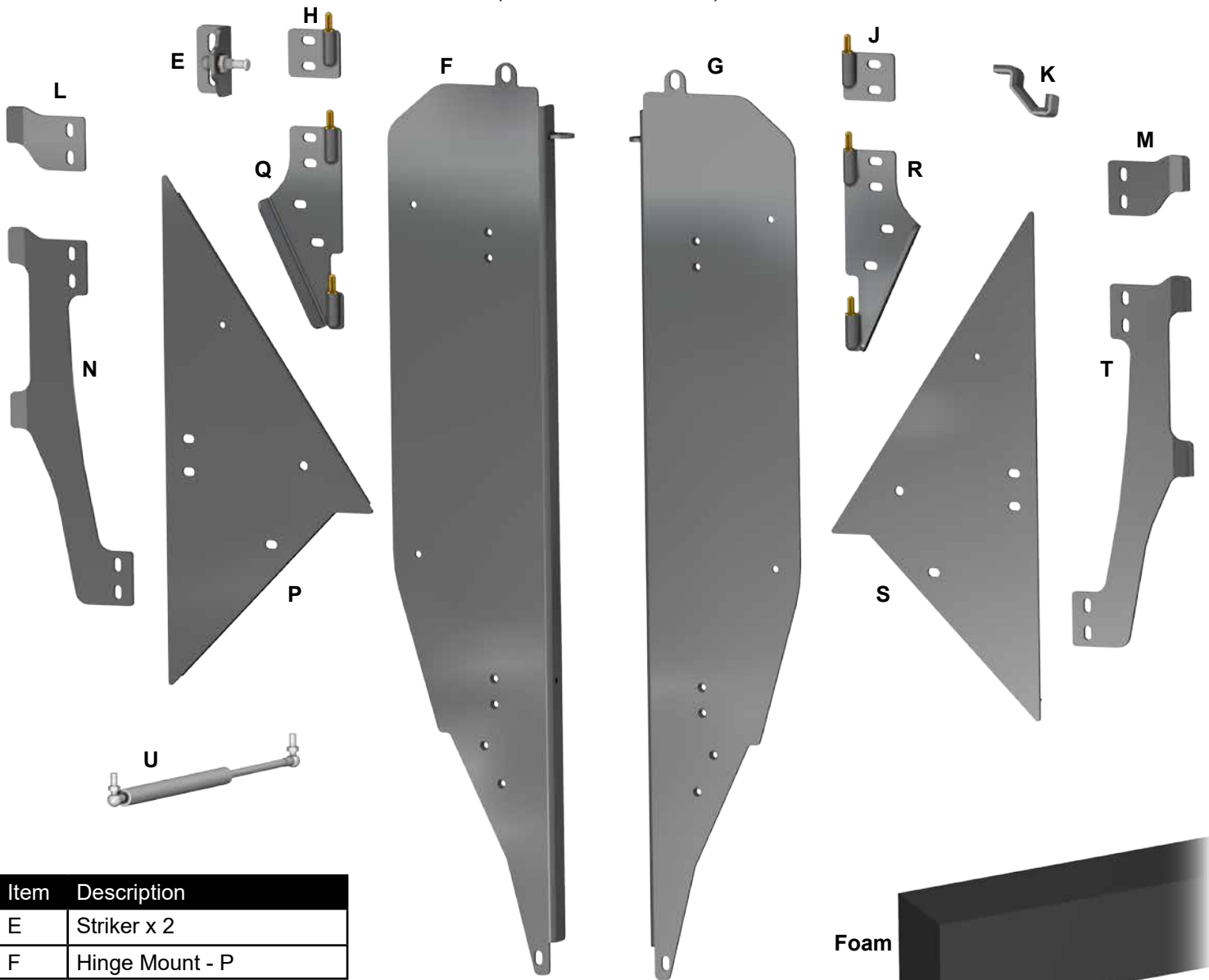
**Read instructions and view illustrations before beginning.**

*Thank You*

*For Choosing*



(kit contents continued)



Item	Description
E	Striker x 2
F	Hinge Mount - P
G	Hinge Mount - D
H	Upper Hinge - P
J	Upper Hinge - D
K	Clamp x 6
L	Upper Hinge Bracket - P
M	Upper Hinge Bracket - D
N	Lower Hinge Bracket - P
P	Pillar Bracket - P
Q	Lower Hinge - P
R	Lower Hinge - D
S	Pillar Bracket - D
T	Lower Hinge Bracket - D
U	Strut x 2



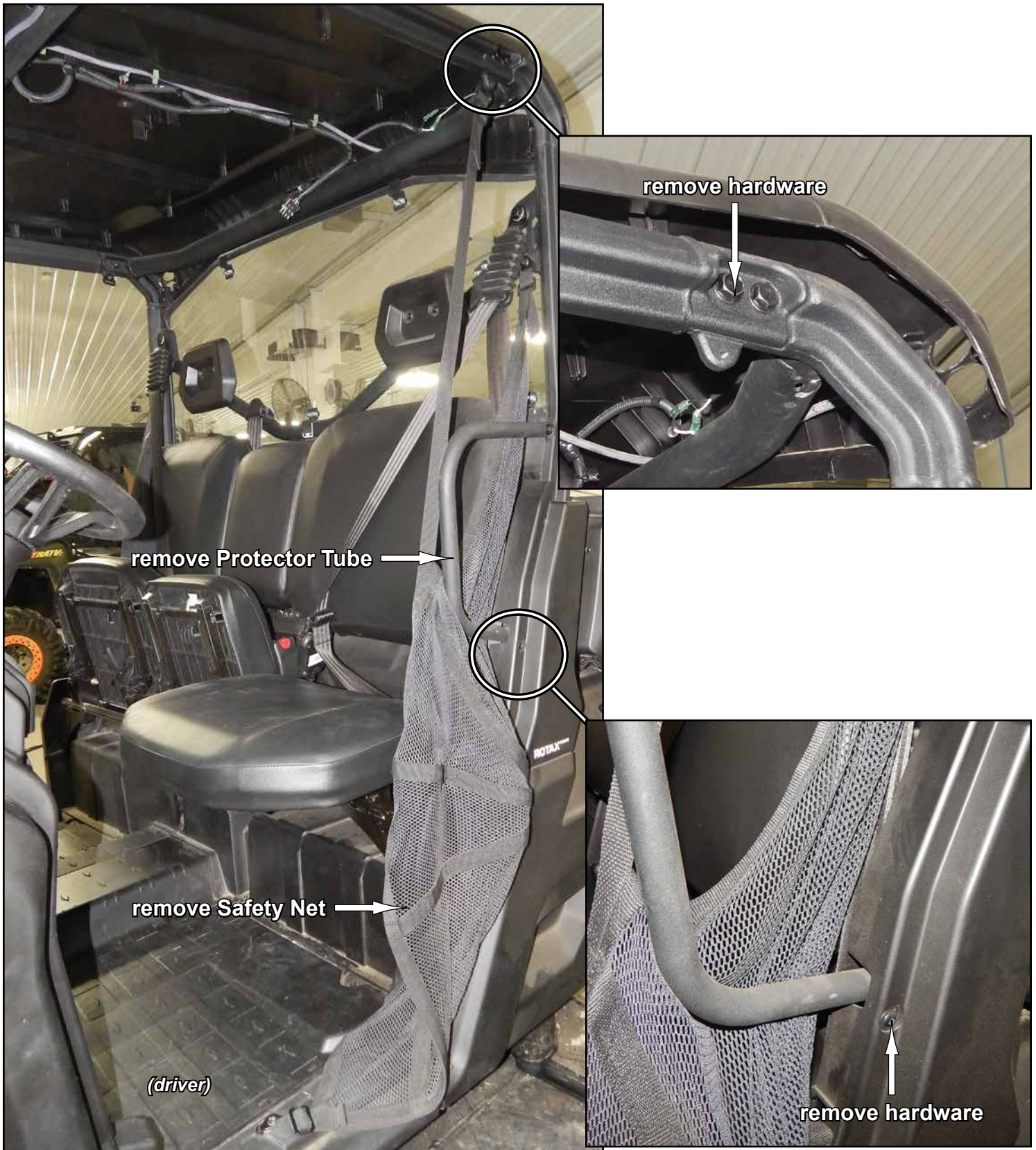
**KEYS ARE LOCATED UNDER ORANGE TAPE. DO NOT DISCARD.**



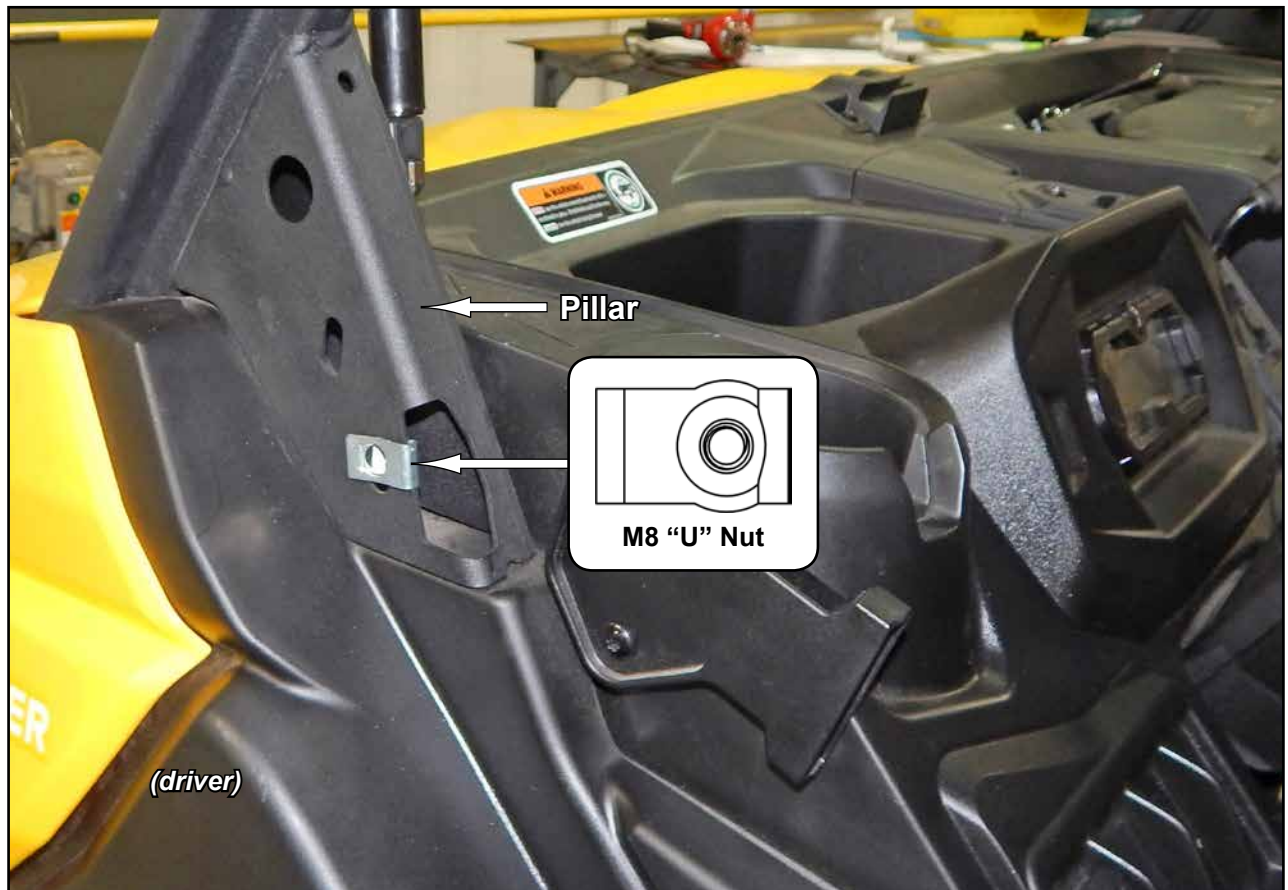
**Door Cleaning:**

- Do not use Rain-X®, Plexus® or any other protector, wax, or polish.
  - Do not use window cleaning fluids (Windex, 409, etc) or any solvents (gasoline, denatured alcohol, acetone, etc).
  - Never use abrasive cleaners, abrasive pads, or gritty cloths.
  - Never use razor blades, scrapers, squeegees, brushes, etc.
1. Thoroughly rinse Doors to float off dirt and mud.
  2. Using a soft cloth, or microfiber cloth, clean Doors with warm water and a gentle detergent. Baby shampoo, rubbing alcohol, or hand washing soap can also be used.
  3. To prevent water spots, use a chamois to blot Doors dry.

**Removal:** keep all components removed from machine.

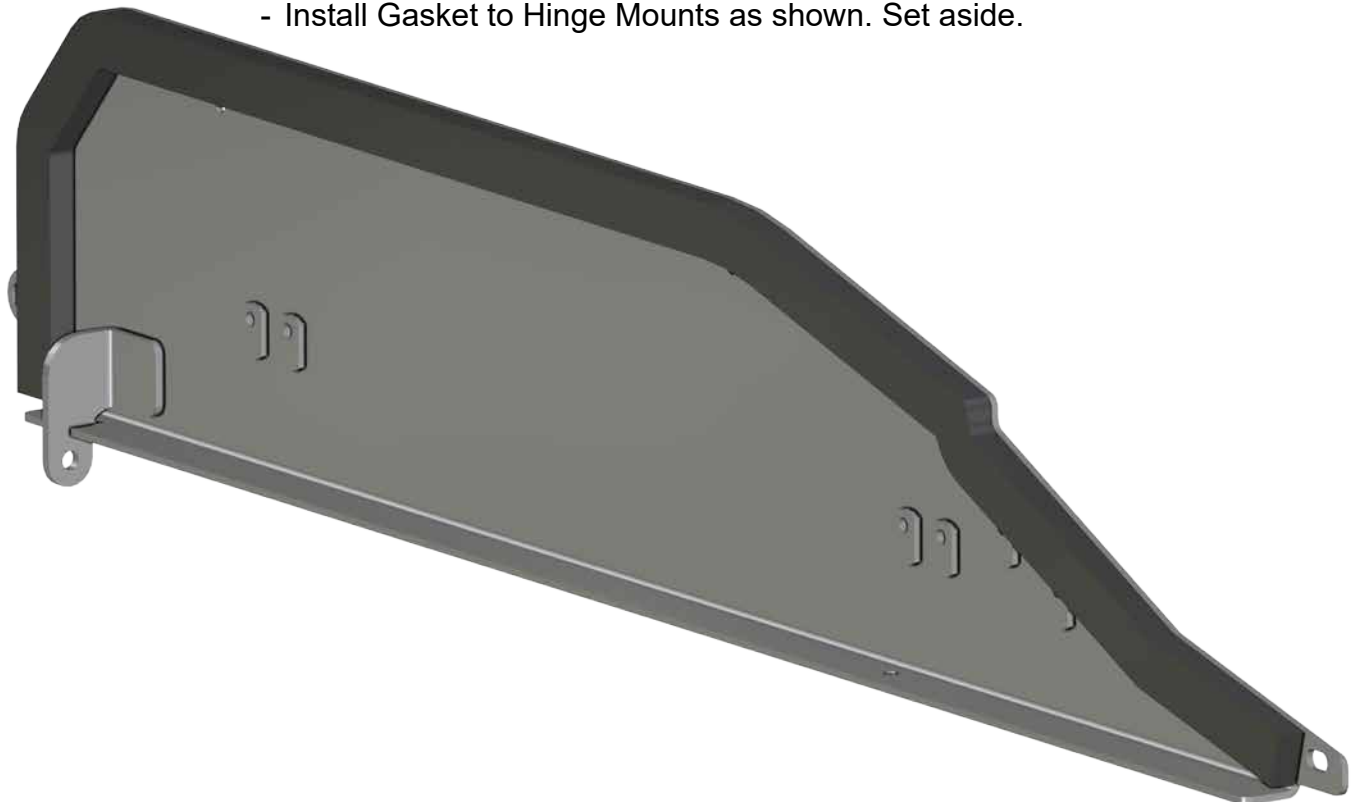


- Install provided "U" Nut to Pillar.



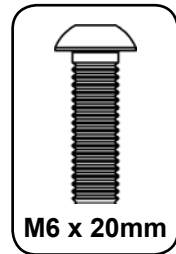
- Repeat for opposite side.

- Install Gasket to Hinge Mounts as shown. Set aside.



**Do not tighten any hardware unless noted.**

- Install Pillar Bracket - P (P) with hardware shown. Tighten hardware.
- Install Clamp (K) to Pillar Bracket - P (P) and Frame. Tighten hardware.
- Install Striker (E) to Pillar Bracket - P (P) with hardware shown.



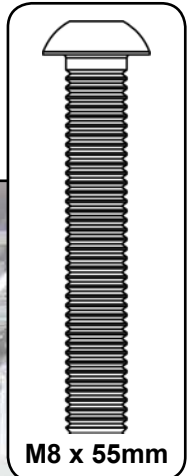
M6 x 20mm



M6 Washer



M6 Nut



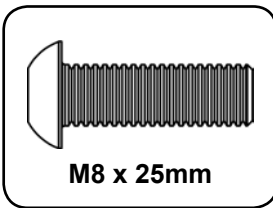
M8 x 55mm



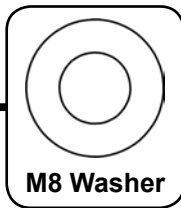
M8 Washer



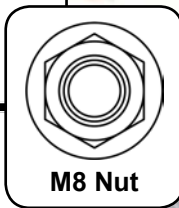
M8 Nut



M8 x 25mm

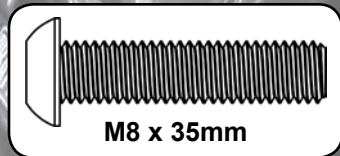


M8 Washer

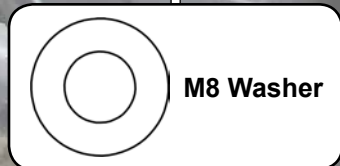


M8 Nut

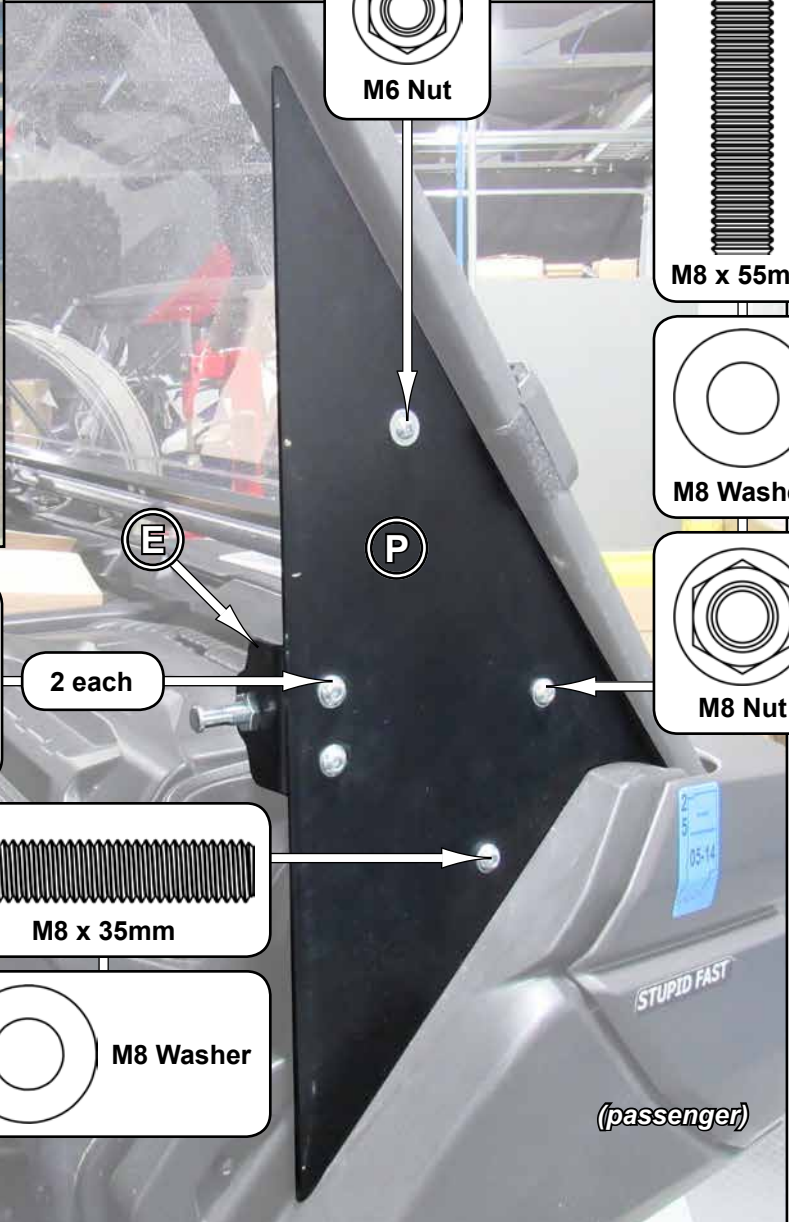
2 each



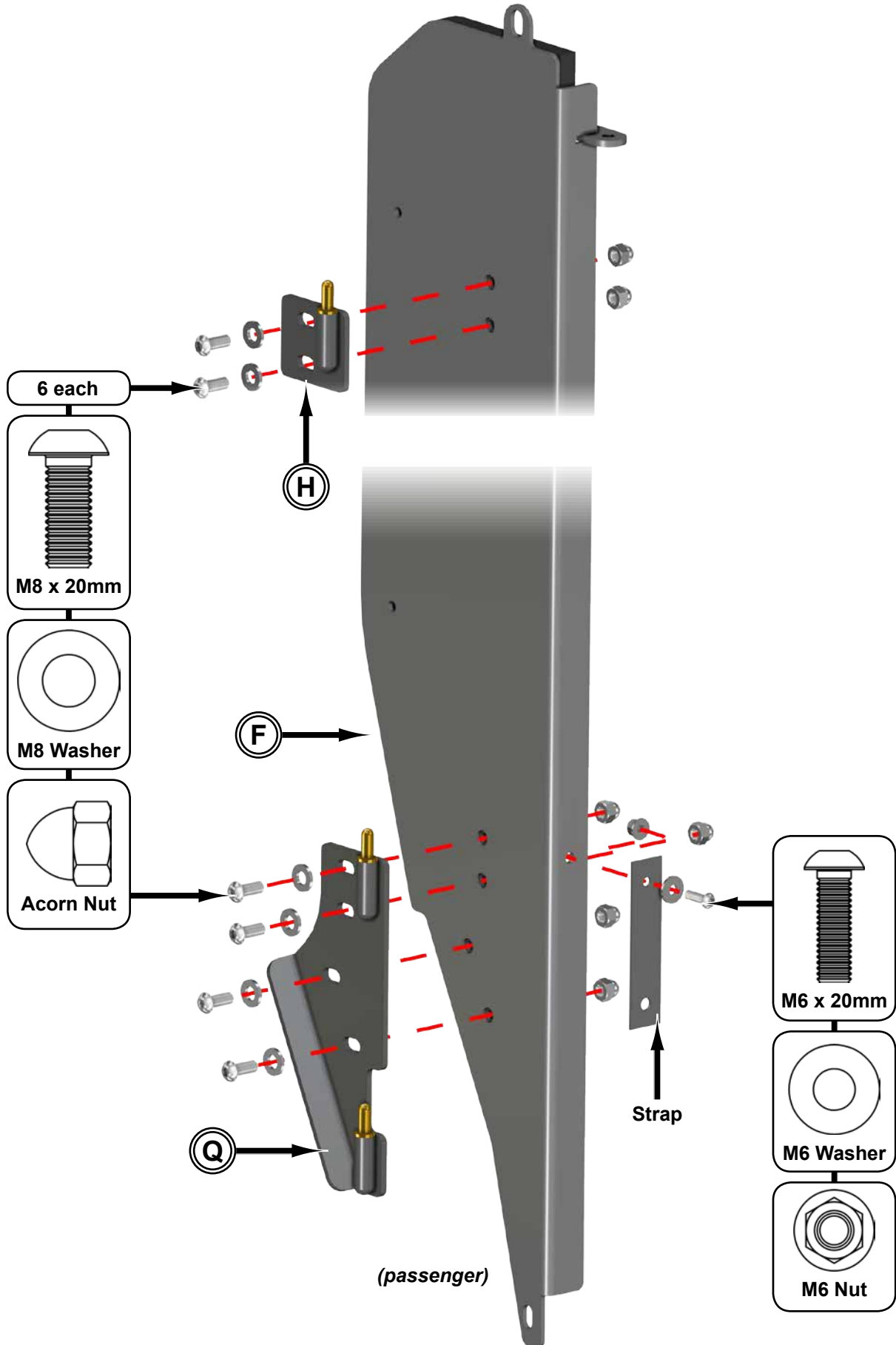
M8 x 35mm



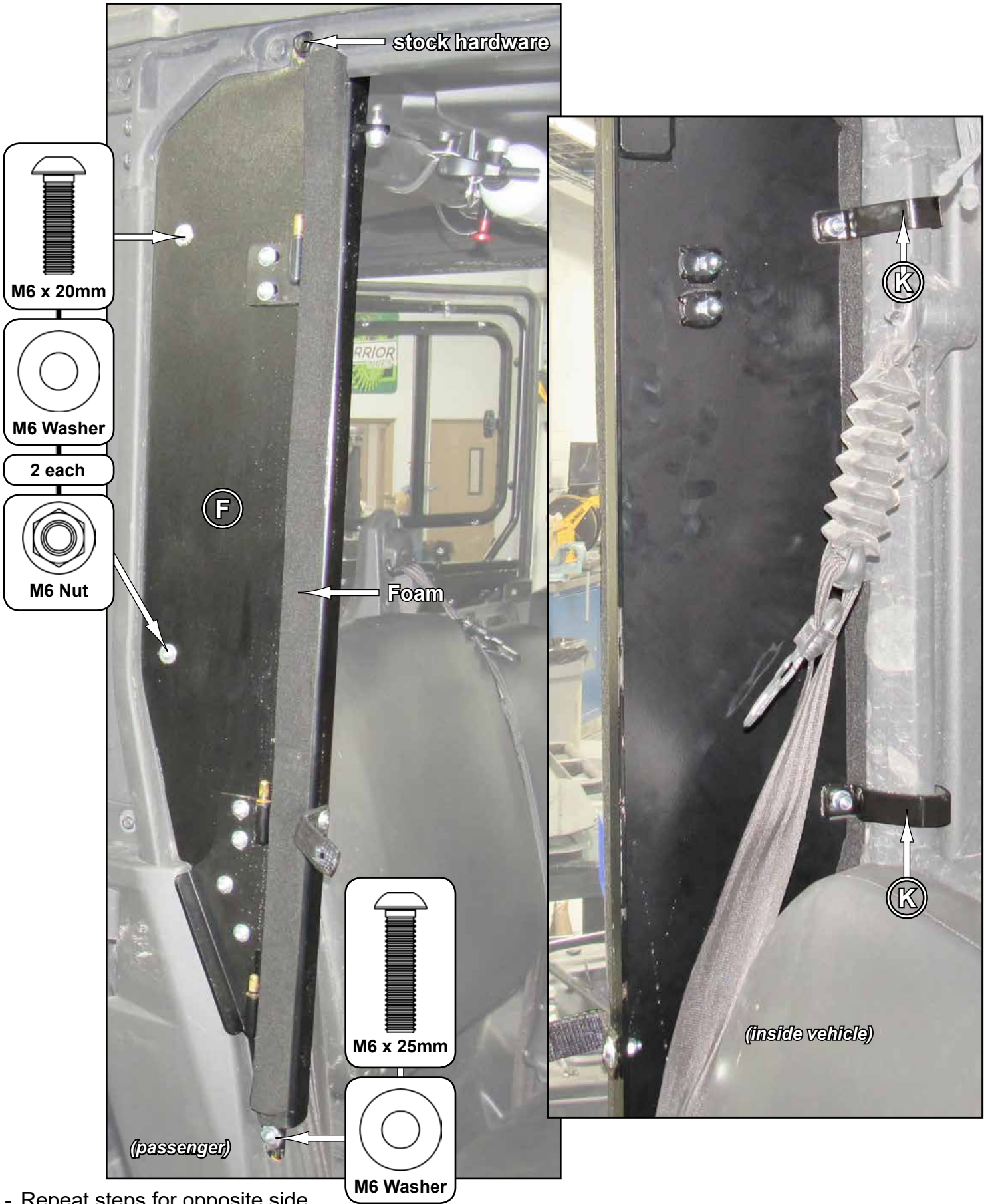
M8 Washer



- Install Upper Hinge - P (H), Lower Hinge - P (Q), and Strap to Hinge Mount - P (F) with hardware shown.



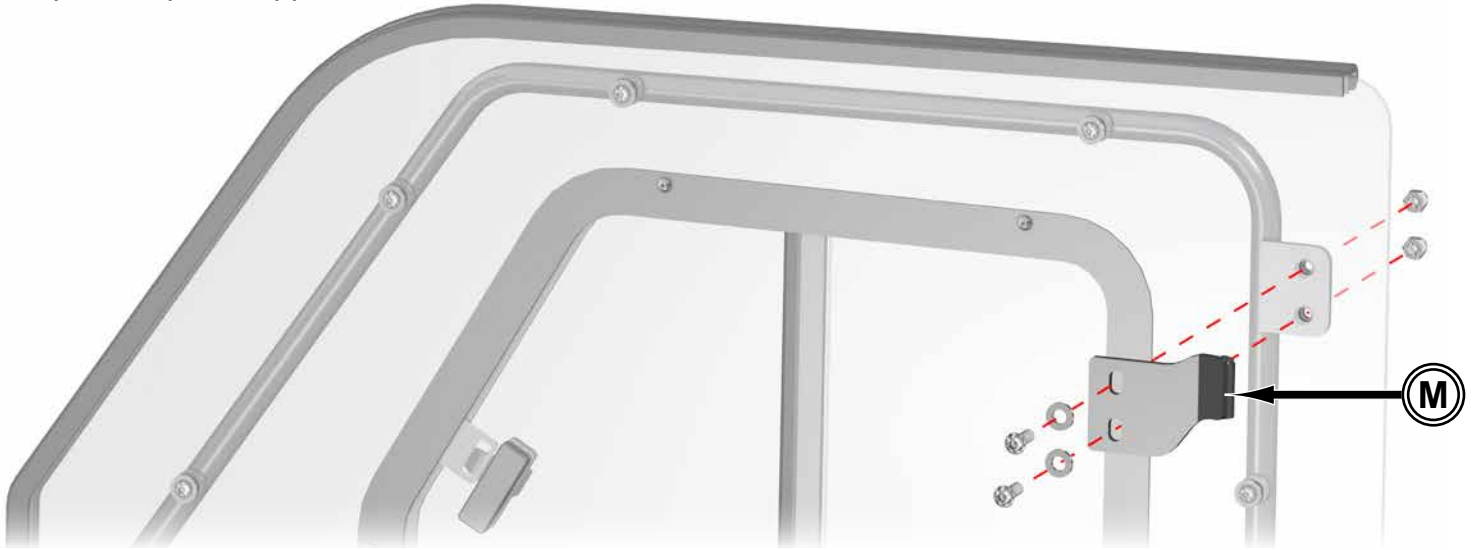
- Secure Hinge Mount - P (F) and Clamps - P (K) to machine with hardware shown.
- Install Foam as shown.



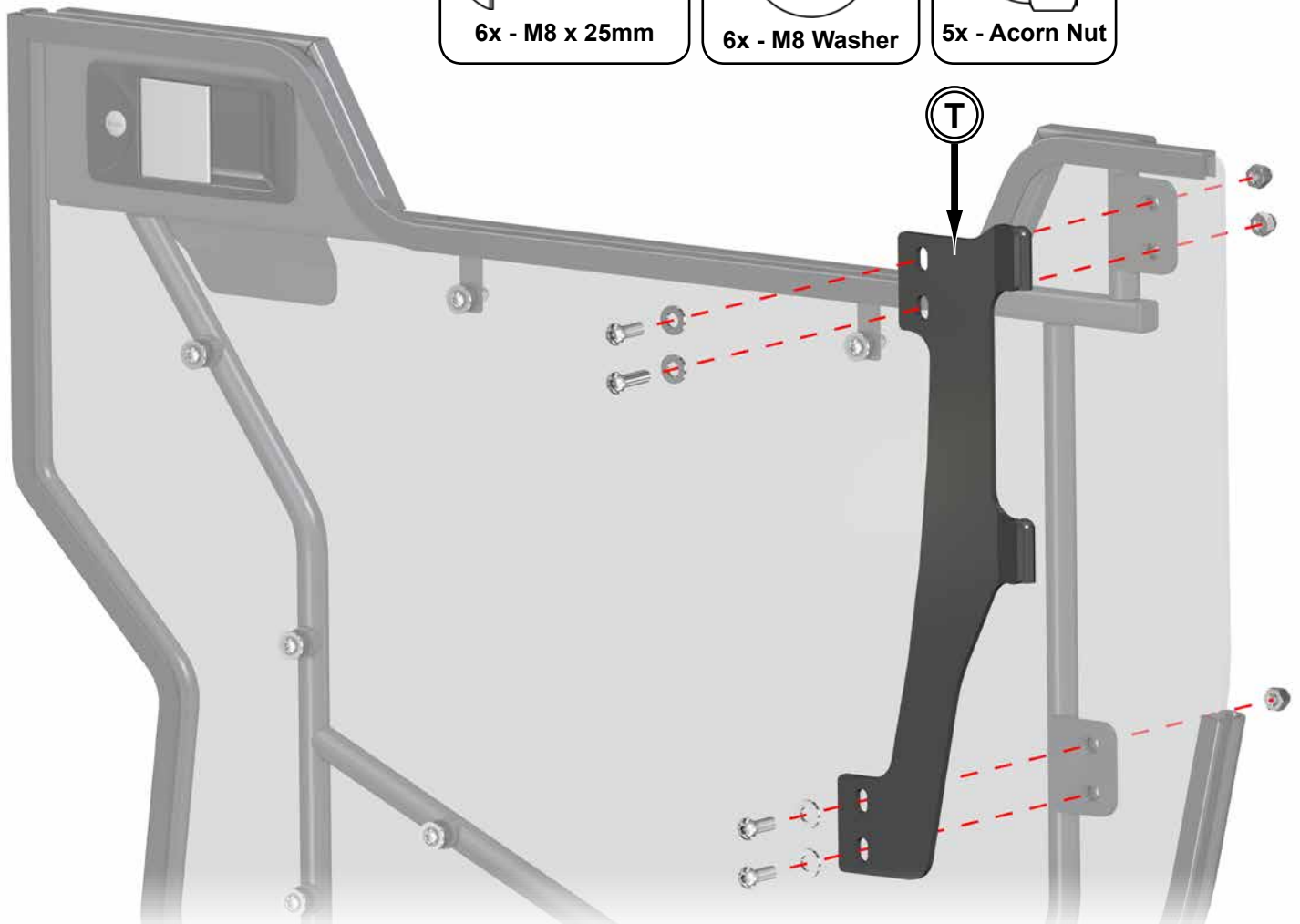
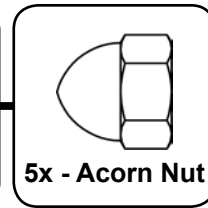
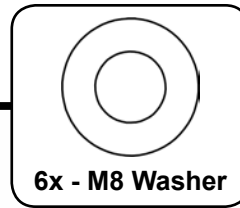
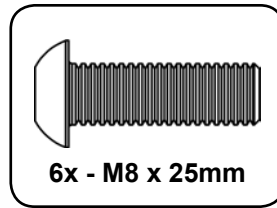
- Repeat steps for opposite side.



- Install Upper Hinge Mount - D (M) and Lower Hinge Mount - D (T) to Upper and Lower Doors with hardware shown.
- Repeat steps for opposite side.



*(driver)*



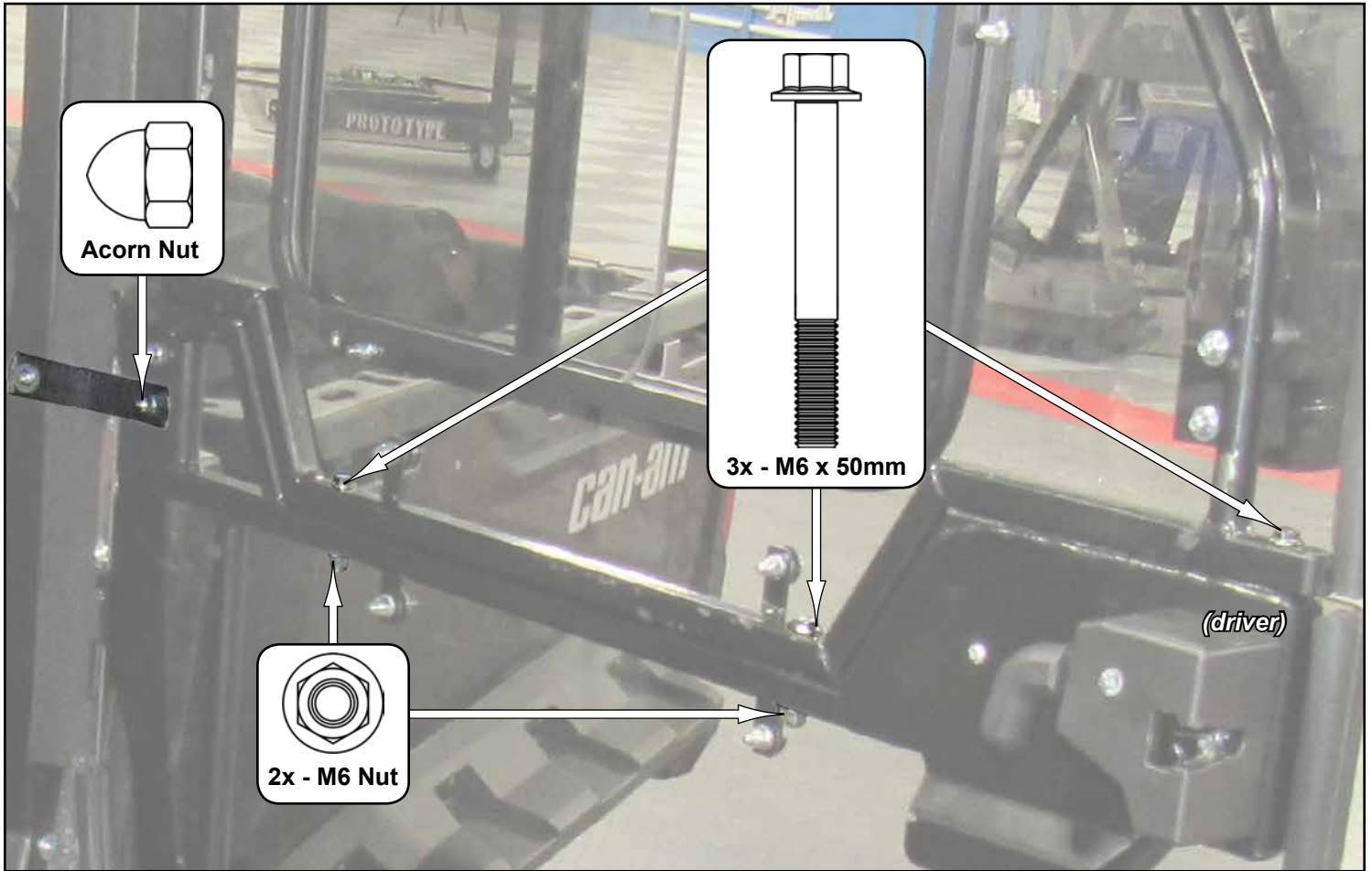
- Place Lower Hinge Bracket - D (T), on Lower - D (C) onto Lower Hinge - D (R).



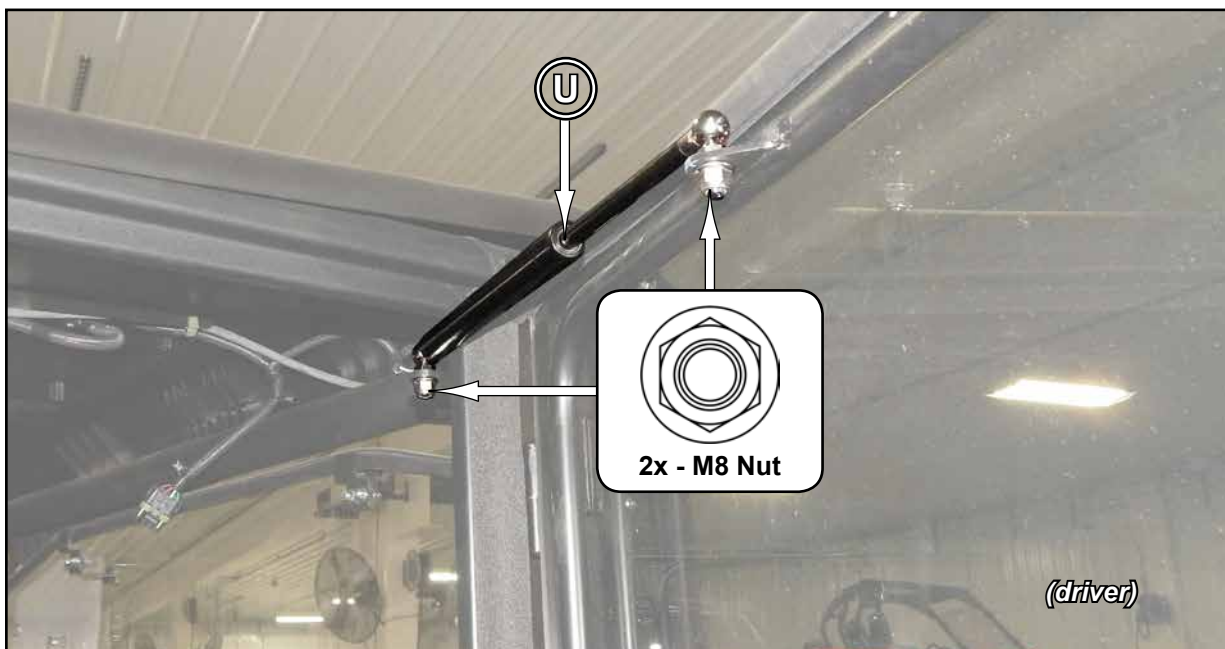
- Place Upper Hinge Bracket - D (M), on Upper - D (A) onto Upper Hinge - D (J).



- Join Upper and Lower Doors with hardware shown; tighten hardware.
- Secure Strap to Lower - D (C).

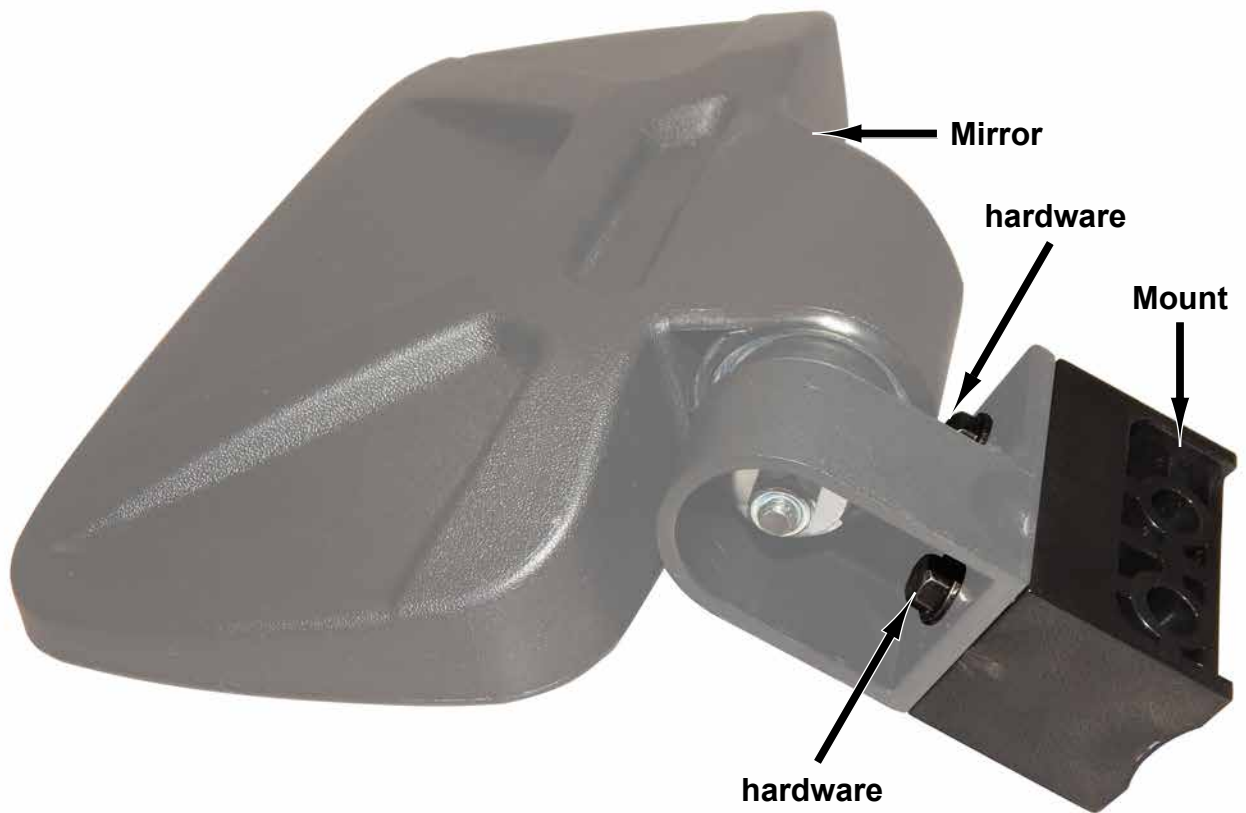


- Close Door, engage Latch / Striker Pin, and align Door to machine.
- Tighten all hardware.
- Open Door and install Strut (U) to Upper and Hinge Mount.
- Secure with hardware shown; tighten hardware.

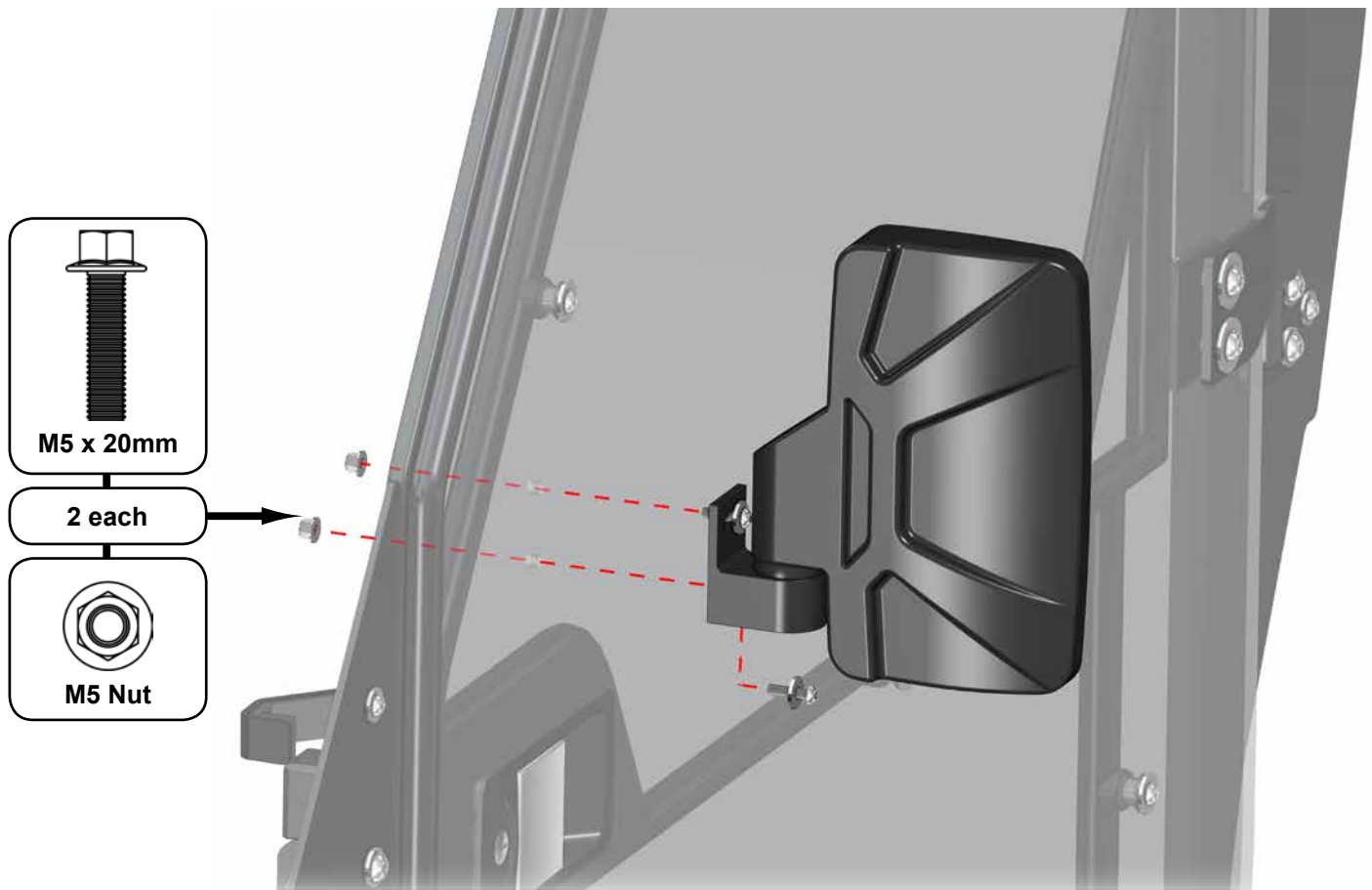


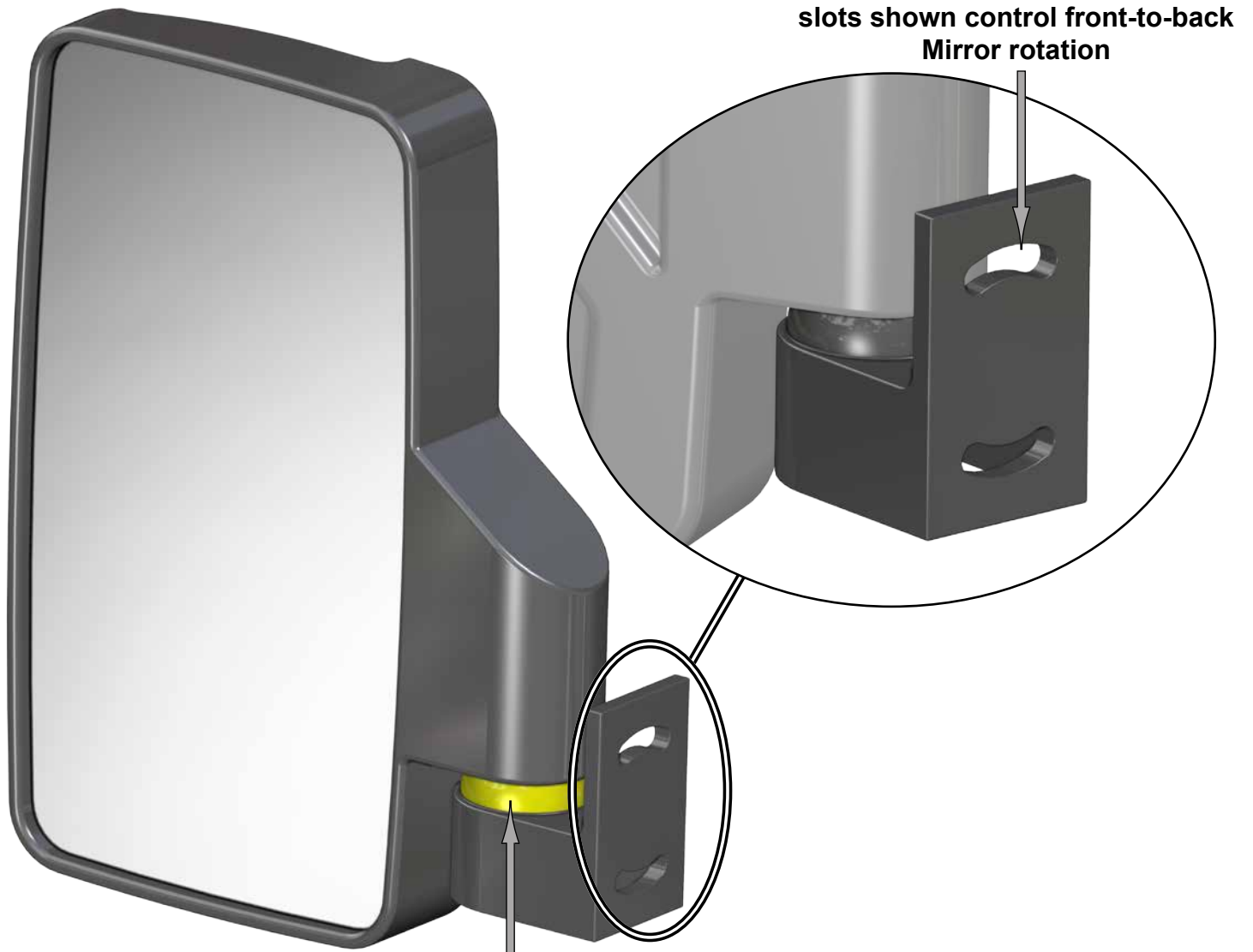
Repeat steps for opposite side.

- Remove installed Mounts on Mirrors. Use 8mm wrench. Discard Mount and hardware.



- Install Mirror to Door with hardware shown. Tighten hardware.





slots shown control front-to-back  
Mirror rotation

Ball

- Mirror is spring loaded and can also be adjusted here.
- Ball will allow adjustment in various directions.



do not loosen