

POWERSPORTS



MRWT40

BOSS[®]
AUDIO SYSTEMS



BOSS[®]
AUDIO SYSTEMS



FULLY
MARINIZED

MRWT40

USER'S MANUAL

4" (102 mm) 2-WAY MARINE WAKETOWER/UTV
ROLL BAR SPEAKER SYSTEM



BOSS Audio Systems
3451 Lunar Court • Oxnard, CA 93030
www.bossaudio.com
805-751-4853 Customer Service
Tech Support: www.bossaudio.com/support



1220

The Bluetooth® word mark and logos are registered trademarks owned by Bluetooth SIG, Inc. and any use of such marks by BOSS Audio Systems is under license. Other trademarks and trade names are those of their respective owners.

MRWT40

2-Way Fully Marineized
Waketower/Rollbar Speaker System

Congratulations on the purchase of the MRWT40 Speaker System. It has been designed, engineered and manufactured for the highest level of performance and quality.

Specifications

- Midrange:**
4" (102 mm)
Polypropylene Cone
Rubber Surround
4 Ω Impedance
- Tweeter:**
1" (25 mm) Dome
- Clamps:**
1-1/2" - 2" (38 - 51 mm)
- Power Handling:**
400 Watts (Max)
- Frequency Response:**
130 Hz– 20 kHz (±3 dB)
- Sensitivity:**
94 dB @ 1W/1m
- Dimensions:**
7" x 7" x 5" (178 x 178 x 127 mm)
- Weight:**
2.3 lbs

All specifications subject to change without notice

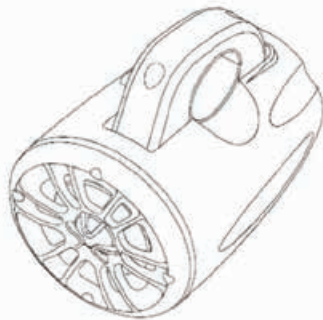
What's Included

After you have unpacked the speaker system, check all the contents of package so it contains all of the items below. If something is missing, please call our technical department.

- (2) MRWT40 Speakers
- (2) Mounting Clamps (Pre-installed on Speakers)
- (4) M6 x 15 mm Bolts (Pre-Installed)
- (3) Rubber Clamp Adapters (1/8" thickness)

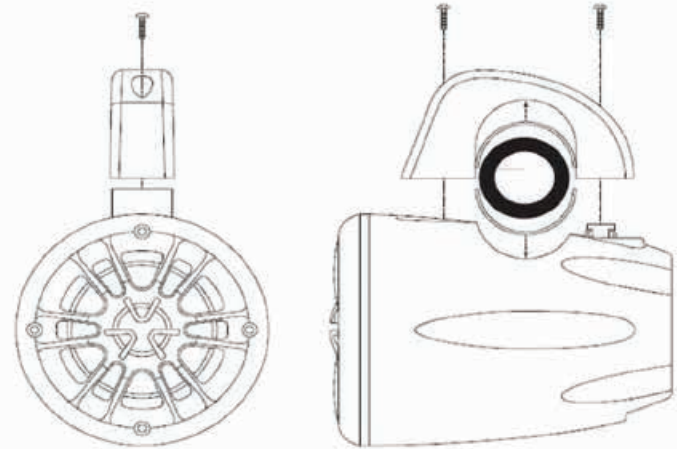
⚠ Safety Considerations

While we have designed the mounting system to provide a safe and stable installation, it is important to remember these are objects that will be used in an environment that is extremely bumpy and turbulent. Please consider all possible scenarios where these will be placed and secured.



Installation

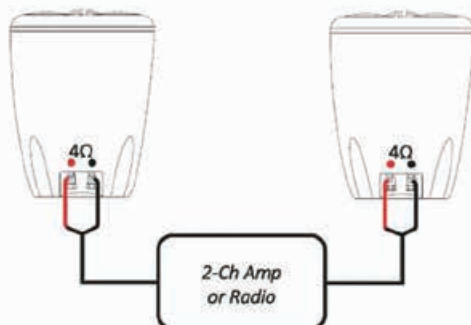
- 1) Unpack and disassemble the clamps from the speakers. Make sure you account for all hardware when removing it from the clamps. There are lock washers that must be re-installed on the clamps.
- 2) Determine the location of the speakers.
- 3) Determine the correct rubber clamp adapters that are needed for your application.
- 4) The rubber adapters will need to be cut to length, so they fit the enclosure and clamp.
- 5) After the rubber clamps have been cut, remove the white protective layer and stick them to the clamp and enclosure.
- 6) Place the speaker on the tower and have the top clamp ready to place on top.
- 7) Screw the two bolts evenly, until snug. Once the position is verified, tighten the bolts another half-turn. **DO NOT OVERTIGHTEN!**
- 8) The speakers accept up to 16 ga. wire, it is recommended you use a high-quality marine grade speaker cable for your installation.



Wiring

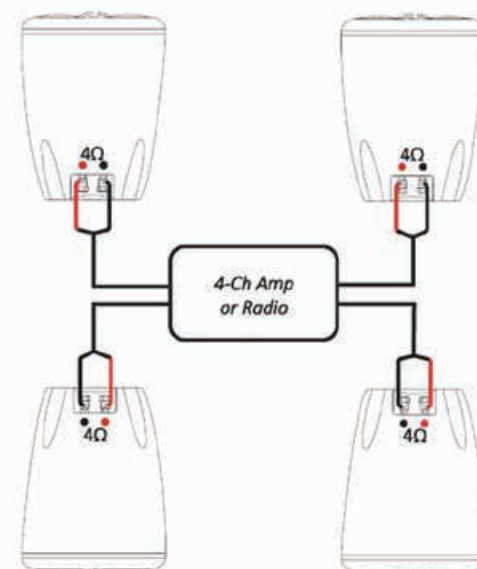
- 1) When wiring the speaker system, use only high quality marine speaker wire.
- 2) Also take into account the length of wire when terminating at speakers. There needs to be some extra wire left around the speaker so in the event of extreme conditions the wire doesn't pull or disconnect anything vital to the vehicle.
- 3) Keep the wire away from sharp objects, always use a rubber grommet when running wire through metal tubes.
- 4) Plan the entire system and note the amplifier impedance stability prior to wiring.
- 5) If wiring more than a pair of wake towers, make sure the stereo image is retained from front to rear with respect to left and right.

Standard 2-Ch System



The speakers are 4 Ω, you can connect the each speaker to the output of a head-unit. For optimum performance, it is recommended they are connected to a separate amplifier with a high-pass filter set to 120 Hz.

Expanded 4-Ch System



For a 4-ch system, it is important the Front and Rear are connected to their respective sides (left and right) to retain correct stereo imaging. If using an amplifier, for best performance, set the high-pass filter to 120 Hz.