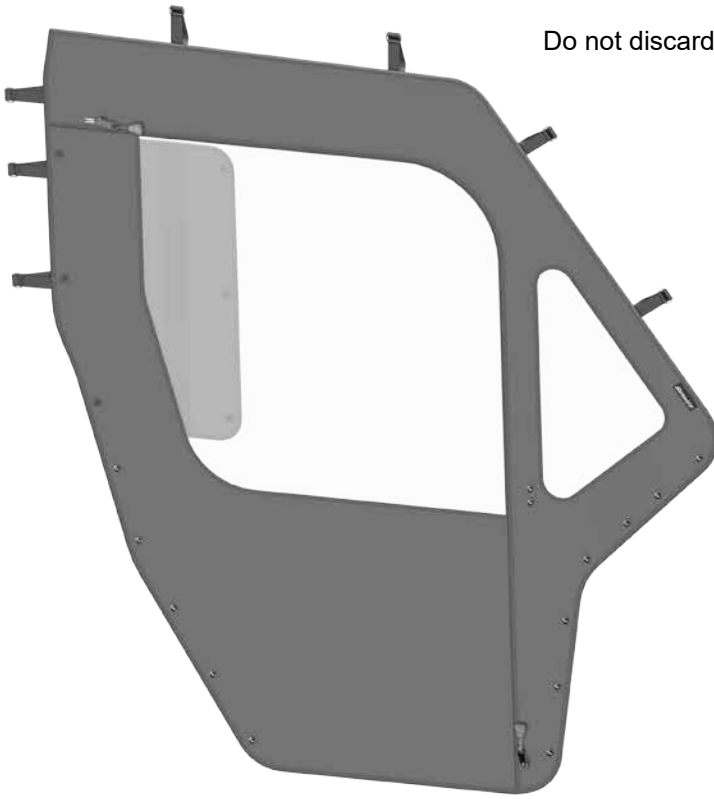
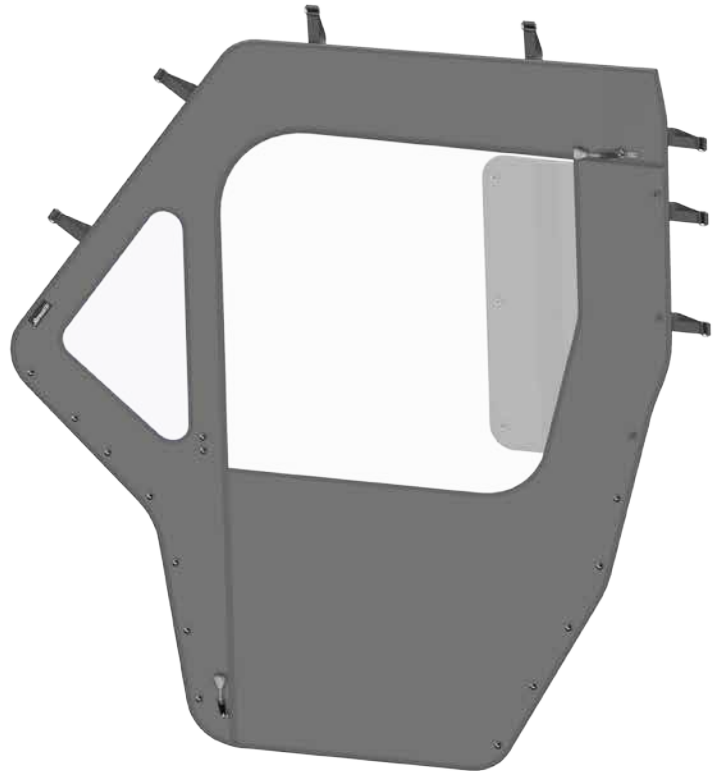


Do not discard packaging until product has been successfully installed.



Right



Left

Notes:

- Hook and Loop Fasteners should be applied at a temperature of 70°F or above.
- Use Denatured Alcohol and thoroughly clean any area where Hook and Loop Fasteners will be installed.
- Installing and adjusting Soft Cab is easier with two people.
- When cleaning Soft Cab, use soap and water only. Do not use detergent, window cleaner, solvents.
- Do not use a dry cloth or rag on windows.
- Do not fold Soft Cab before storing. Zip windows closed and roll Soft Cab to store.
- Do not discard packaging until product has been successfully installed.
- Doors may be secured with Snaps only, Hook and Loop Fastener only, or a combination of Snaps and Hook and Loop Fastener.
- Any whiteness, clouding, wrinkles, or waves that develop will gradually disappear when Soft Cab is exposed to sunlight and/or heat. Use a heat gun or hair dryer to speed up this process. Do not overheat or heat in one area for an extended period of time.

Need help with your installation?



sales@superatv.com



www.superatv.com



1-855-743-3427



8:00am - 8:00pm EST M-Th
8:00am - 7:00pm EST Friday
9:00am - 2:00pm EST Saturday

Read instructions and view illustrations before beginning.

Thank You

For Choosing

SUPERATV.COM[®]



Liability Statement

SuperATV's® products are designed to best fit user's ATV/UTV under stock conditions. Adding, modifying, or fabricating any factory or aftermarket parts will void any warranty provided by SuperATV® and is not recommended. SuperATV's® products could interfere with other aftermarket accessories. If user has aftermarket products on machine, contact SuperATV® to verify that they will work together.

Although SuperATV® has thousands of satisfied customers, user should be aware that installing lift kits, long travel, or suspension kits, tires, etc. will change the ride of machine and may increase maintenance and part wear. Operating any off-road machine while, or after, consuming alcohol and/or drugs increases risk of bodily harm or death. No warranty or representation is made as to this product's ability to protect user from severe injury or death. SuperATV® urges operators and occupants to wear a helmet and appropriate riding gear at all times.

By purchasing and installing SuperATV® products, user agrees that should damages occur, SuperATV® will not be held responsible for loss of time, use, labor fees, replacement parts, or freight charges. SuperATV®, nor any 3rd party, will not be held responsible for any direct, indirect, incidental, special, or consequential damages that result from any product purchased from SuperATV®. The total liability of seller to user for all damages, losses, and causes of action, if any, shall not exceed the total purchase price paid for the product that gave rise to the claim.

SuperATV® will warranty only parts provided by SuperATV®. Any damage or problems with OEM housings, bearings, seals, or other manufacturers' products will not be covered by SuperATV®. SuperATV® parts and products are not warrantied if item was not installed properly, misused, or modified.

Installing, adding, modifying, or fabricating any factory or aftermarket product to your ATV/UTV may violate certain local, state, and federal laws. Be advised that laws vary depending on town, city, county, state, etc. Use of certain products on public streets, roads, or highways may be in violation law. The Buyer is solely and exclusively legally and personally responsible for any violation of the law by the installation or use of the product. You must abide by all local, state, and federal laws, including but not limited to vehicle safety, traffic laws, and ordinances. It is your responsibility to know the laws and how they apply to you.

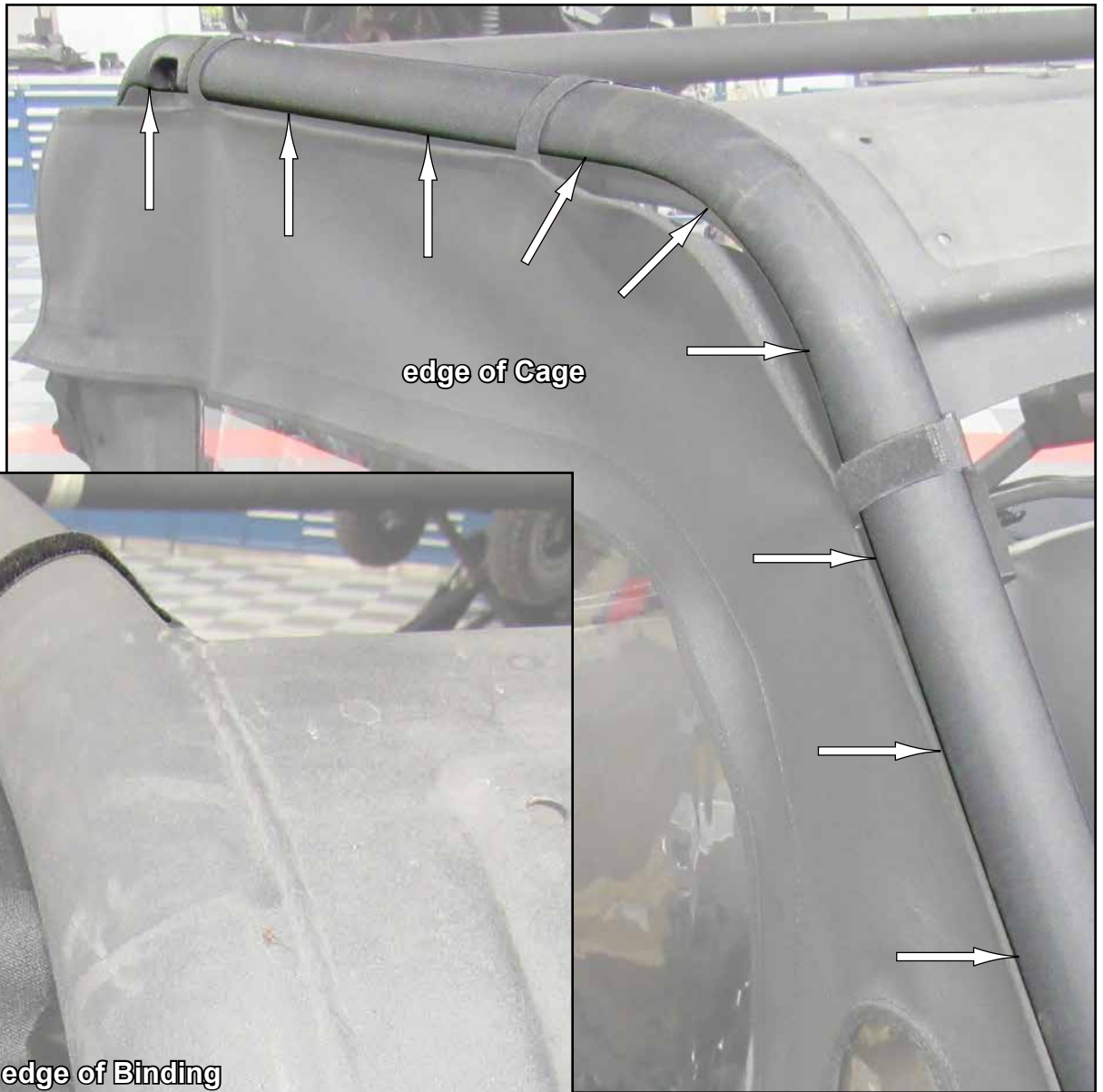
The Buyer is responsible to fully understand the capability and limitations of his/her vehicle according to manufacturer specifications, warnings and instructions and agrees to hold SuperATV® harmless from any damage resulting from failure to adhere to such specifications, warnings and/ or instructions. The Buyer is also responsible to obey all applicable federal, state, and local laws and ordinances when operating his/her vehicle while using this product, and the Buyer agrees to hold SuperATV® harmless from any violation thereof.

(Passenger side installation shown)

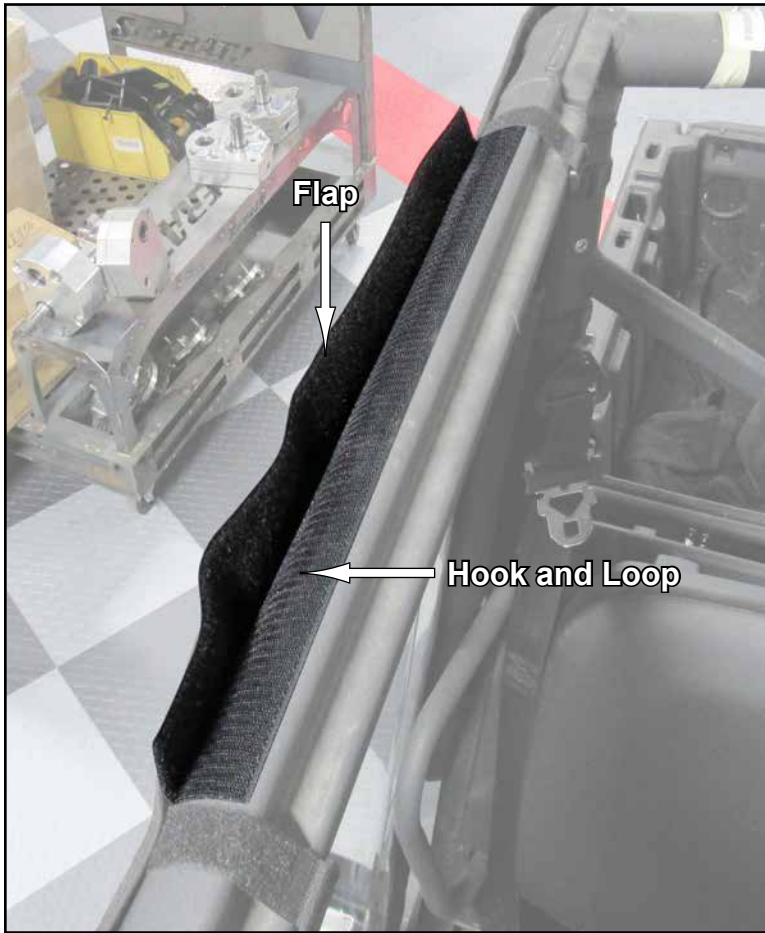
- Place Right Door onto machine.
- Use built-in Straps when securing to Frame.



- Adjust Door so that edge of Binding is flush with edge of Cage.



- Cinch Straps tight.



- Measure length of Flap.
- Cut Hook and Loop Fastener and install to Cage.

- Secure Flap to Hook and Loop.



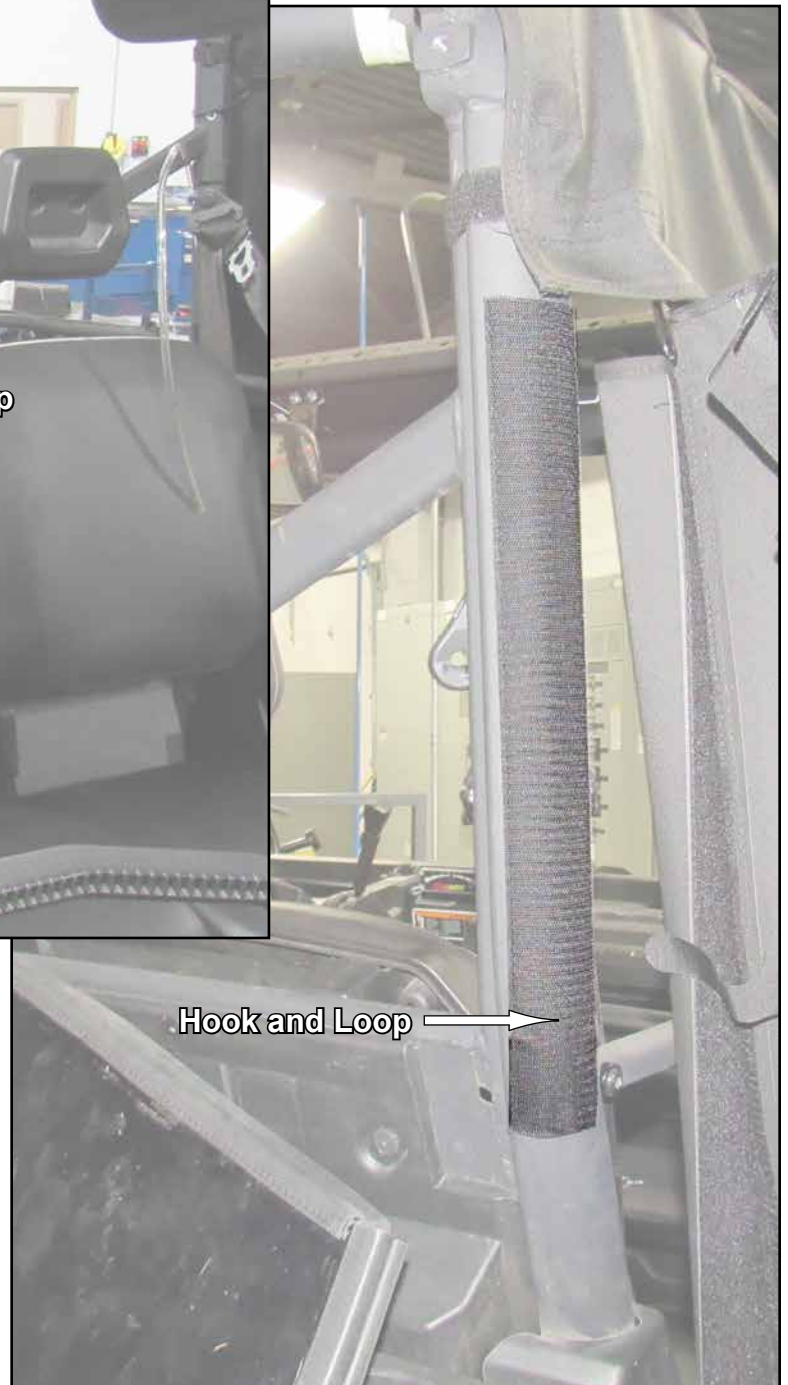
- Measure length of Flap.
- Cut Hook and Loop Fastener and install to Cage.
- Secure Flap to Hook and Loop.



- Measure length of Flap.
- Cut Hook and Loop Fastener and install to Cage. Note: (2) pieces were used due to curve in Cage.
- Secure Flap to Hook and Loop.



- Measure length of Flap.
- Cut Hook and Loop Fastener and install to Cage.
- Secure Flap to Hook and Loop.



- Measure length of Flap.
- Cut Hook and Loop Fastener and install to Body.
- Secure Flap to Hook and Loop.

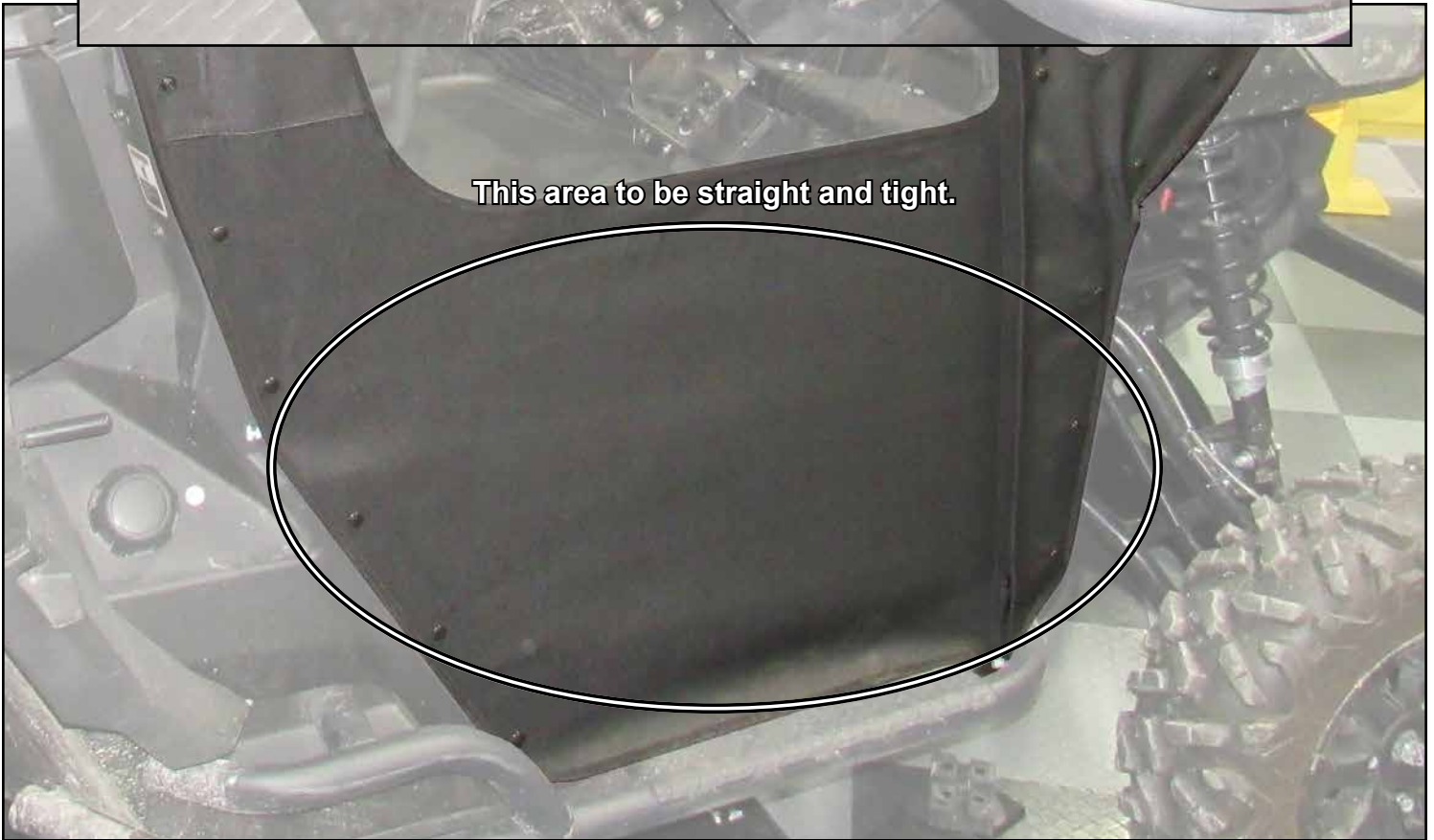


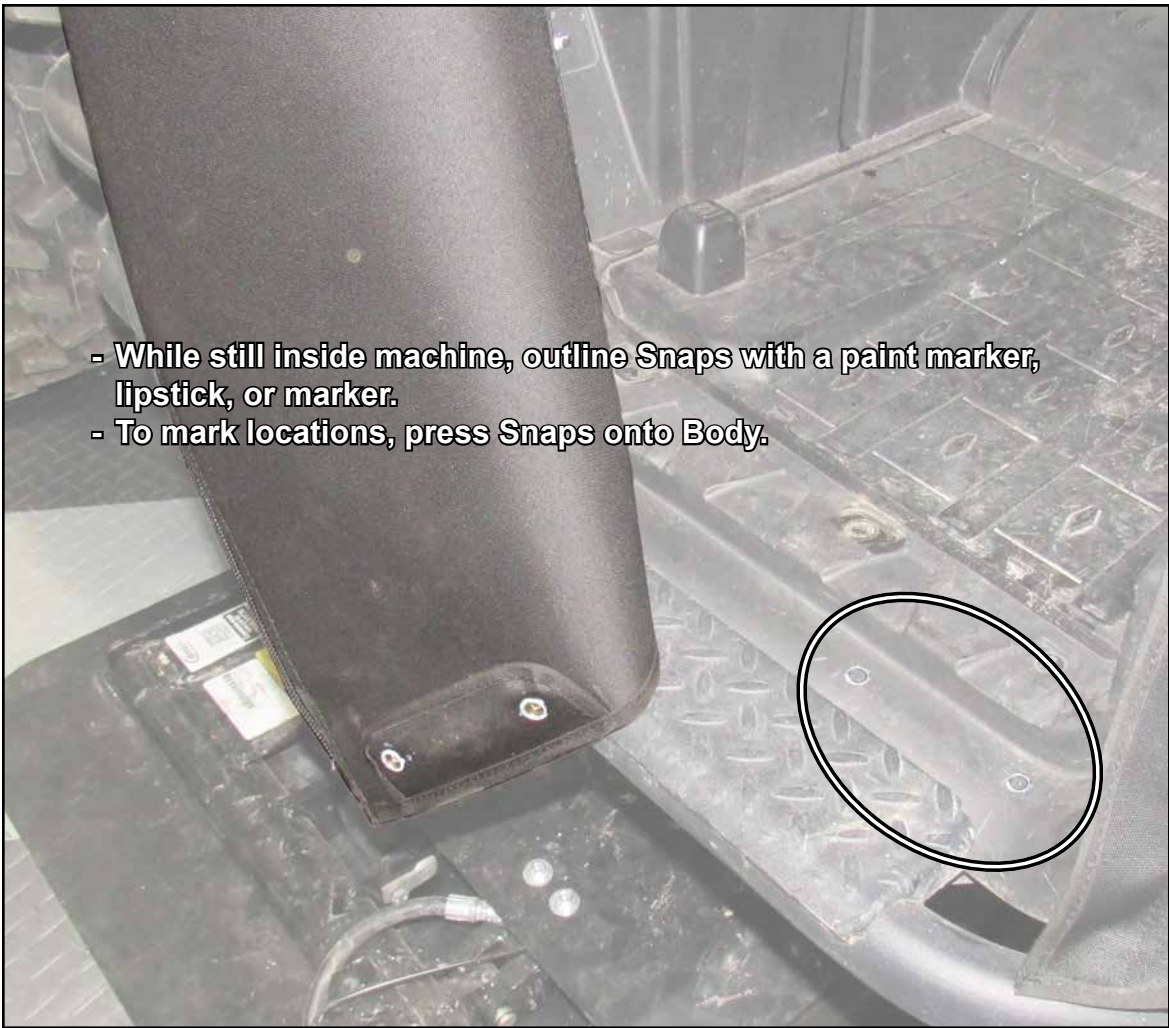
- Measure length of Flap.
- Cut Hook and Loop Fastener and install to Cage.
- Secure Flap to Hook and Loop.



- Measure length of Flap.
- Cut Hook and Loop Fastener and install to Body.
- Secure Flap to Hook and Loop.







- While still inside machine, outline Snaps with a paint marker, lipstick, or marker.
- To mark locations, press Snaps onto Body.



- Install provided Snaps.



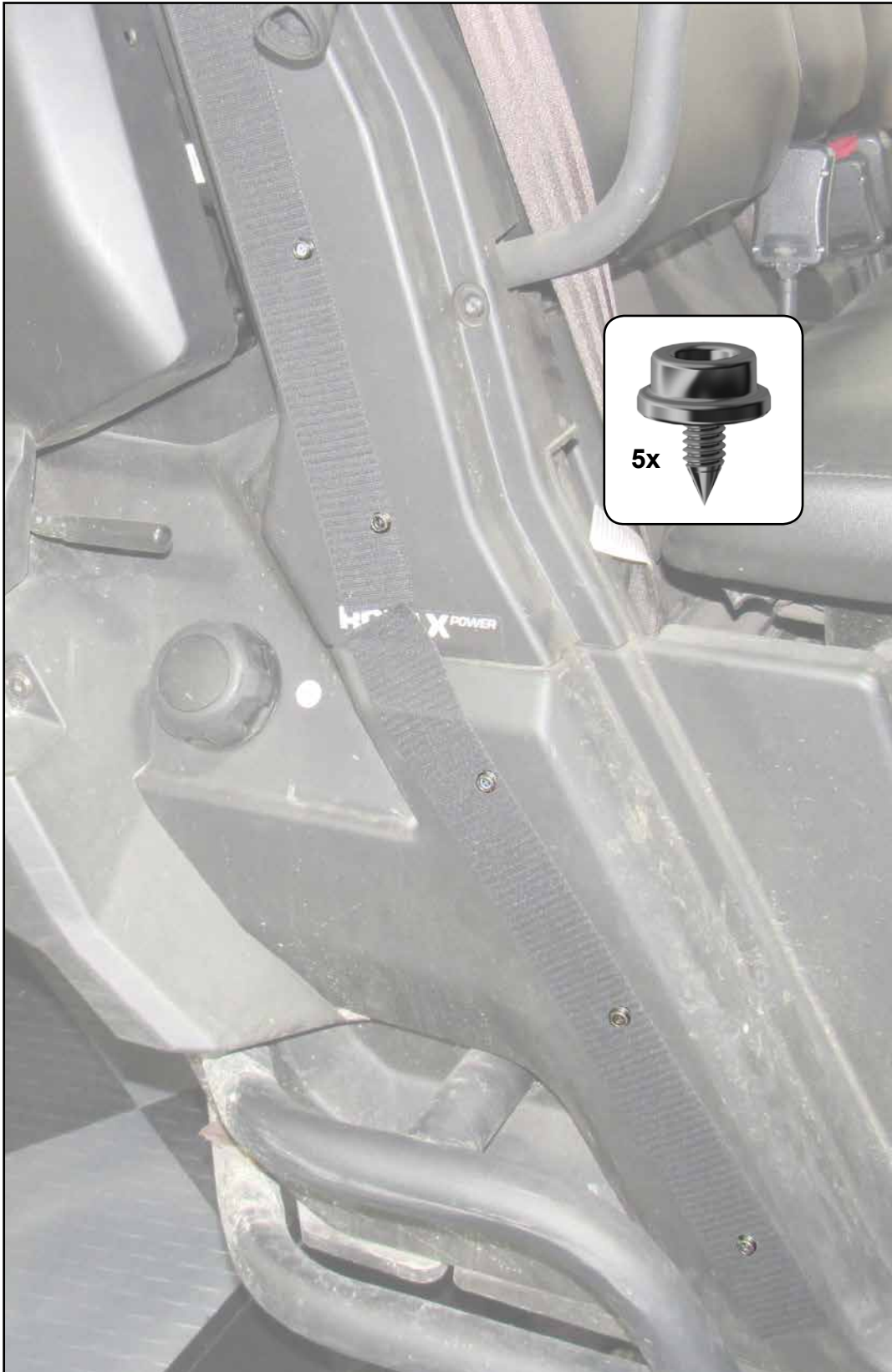
- If Snaps are to be used, or combined with Hook and Loop Fastener, see following pages.

Snaps + Hook and Loop installation:



Snaps + Hook and Loop installation continued:

- Outline Snaps with a paint marker, lipstick, or marker; see previous page.
- To mark locations, press Snaps onto Hook and Loop Fastener.
- Install provided Snaps.



Snaps only installation:

- Outline Snaps with a paint marker, lipstick, or marker.
- To mark locations, press Snaps onto Body.
- Install provided Snaps.
- Secure Door to Snaps.





- Fold lower portion up and roll up Door.



- Use snaps to secure rolled Door.

- After unzipping Window, secure Pull Cord to Window Lock.

