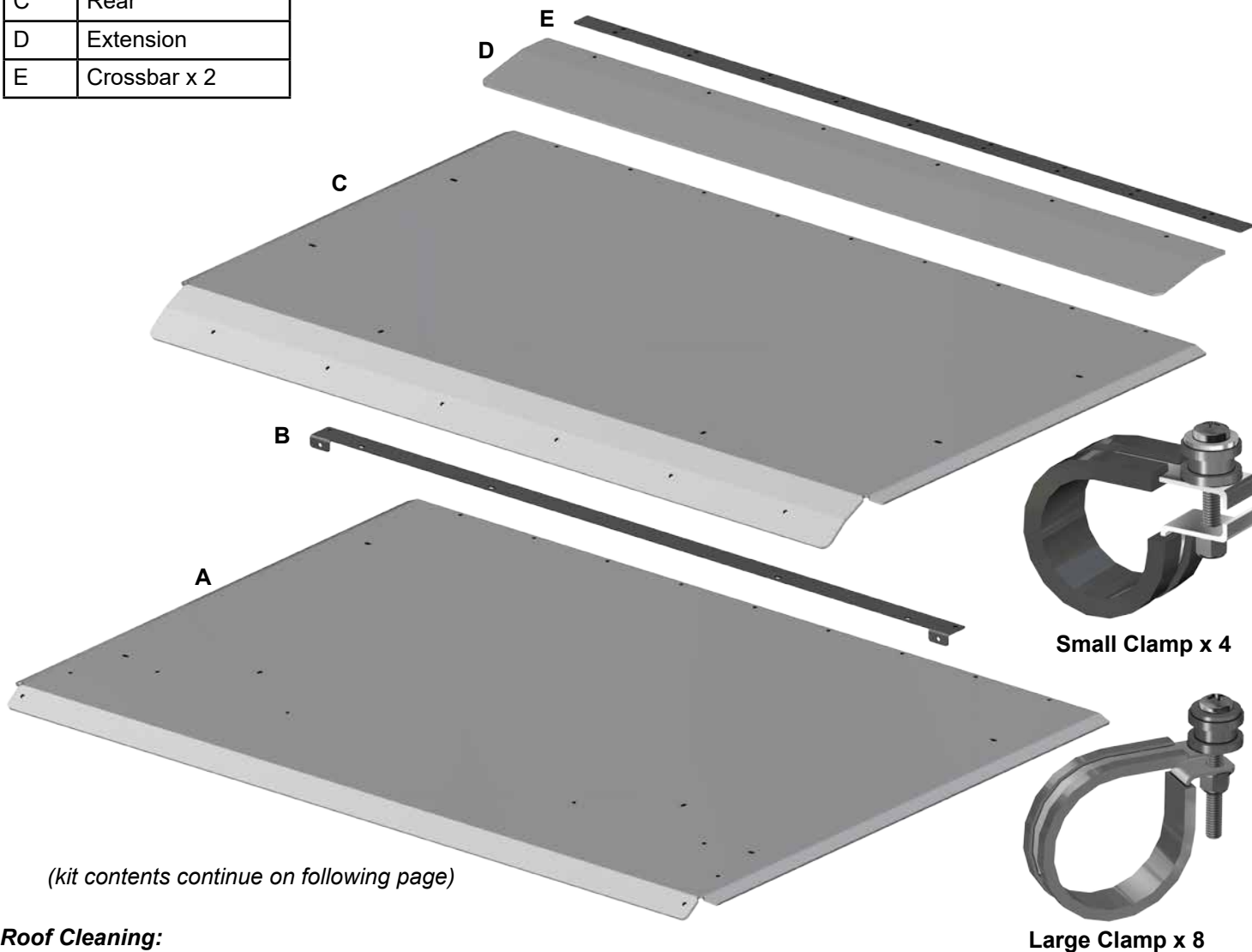


Roof: for Yamaha Wolverine X4

Item	Description
A	Front
B	Front Support Bar
C	Rear
D	Extension
E	Crossbar x 2

- SuperATV recommends securing Roof with straps while transporting on an open air trailer.
- This item is not returnable if the protective film has been removed.
- Test fit to the cage to confirm fitment before removing film.
- Do not discard packaging until product has been successfully installed.



(kit contents continue on following page)

Roof Cleaning:

- Do not use Rain-X[®], Plexus[®] or any other protector, wax, or polish.
 - Do not use window cleaning fluids (Windex, 409, etc) or any solvents (gasoline, denatured alcohol, acetone, etc).
 - Never use abrasive cleaners, abrasive pads, or gritty cloths.
1. Thoroughly rinse Roof to float off dirt and mud.
 2. Using a soft cloth, or microfiber cloth, clean Roof with warm water and a gentle detergent. Baby shampoo, rubbing alcohol, or hand washing soap can also be used.
 3. To prevent water spots, use a chamois to blot Roof dry.

Need help with your installation?



sales@superatv.com



www.superatv.com



1-855-743-3427



8:00am - 8:00pm EST M-Th
 8:00am - 7:00pm EST Friday
 9:00am - 2:00pm EST Saturday

Read instructions and view illustrations before beginning.

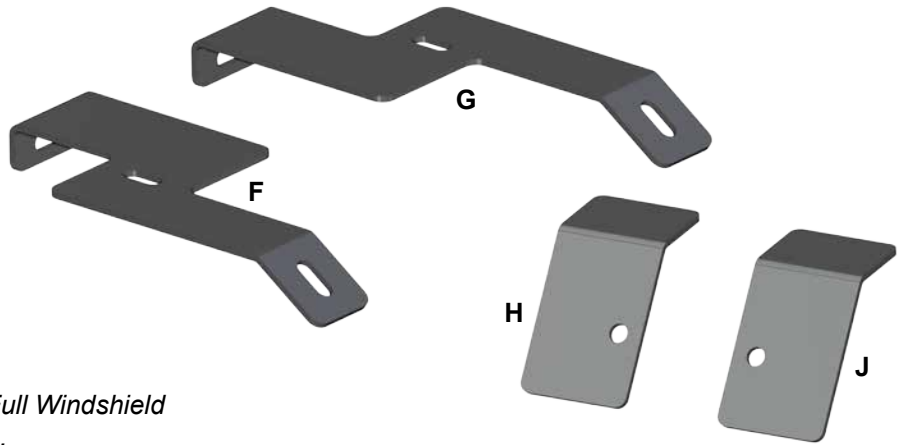
*Thank You
 For Choosing*



Item	Description
F	Right Support Bar
G	Left Support Bar
H*	Right FWS Bracket
J*	Left FWS Bracket

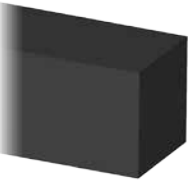
**Use only if SuperATV Flip Windshield is installed; see page 13.*

(kit contents continued)



Channel

**Use only if SuperATV Full Windshield is installed; see page 13.*



Cage Foam (inner)



Cage Foam (outer)



Flat (narrow)



Flat



Use hand tools only when assembling.

Do not use power tools.

Rubber must face plastic when installing Sealing Washers



Disregard any remaining hardware and/or components.

Liability Statement

SuperATV's® products are designed to best fit user's ATV/UTV under stock conditions. Adding, modifying, or fabricating any factory or aftermarket parts will void any warranty provided by SuperATV® and is not recommended. SuperATV's® products could interfere with other aftermarket accessories. If user has aftermarket products on machine, contact SuperATV® to verify that they will work together.

Although SuperATV® has thousands of satisfied customers, user should be aware that installing lift kits, long travel, or suspension kits, tires, etc. will change the ride of machine and may increase maintenance and part wear. Operating any off-road machine while, or after, consuming alcohol and/or drugs increases risk of bodily harm or death. No warranty or representation is made as to this product's ability to protect user from severe injury or death. SuperATV® urges operators and occupants to wear a helmet and appropriate riding gear at all times.

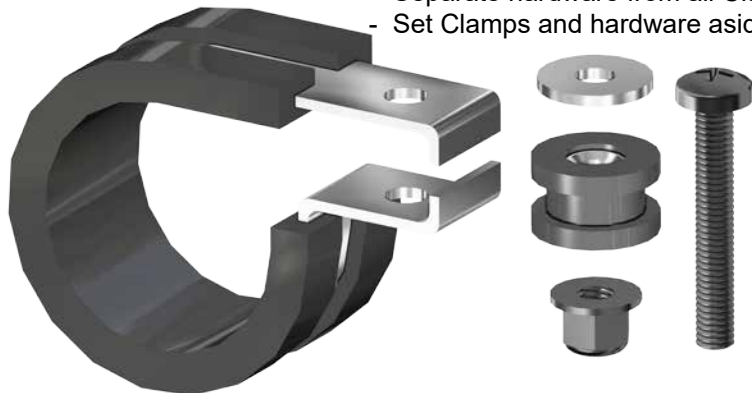
By purchasing and installing SuperATV® products, user agrees that should damages occur, SuperATV® will not be held responsible for loss of time, use, labor fees, replacement parts, or freight charges. SuperATV®, nor any 3rd party, will not be held responsible for any direct, indirect, incidental, special, or consequential damages that result from any product purchased from SuperATV®. The total liability of seller to user for all damages, losses, and causes of action, if any, shall not exceed the total purchase price paid for the product that gave rise to the claim.

SuperATV® will warranty only parts provided by SuperATV®. Any damage or problems with OEM housings, bearings, seals, or other manufacturers' products will not be covered by SuperATV®. SuperATV® parts and products are not warranted if item was not installed properly, misused, or modified.

Installing, adding, modifying, or fabricating any factory or aftermarket product to your ATV/UTV may violate certain local, state, and federal laws. Be advised that laws vary depending on town, city, county, state, etc. Use of certain products on public streets, roads, or highways may be in violation law. The Buyer is solely and exclusively legally and personally responsible for any violation of the law by the installation or use of the product. You must abide by all local, state, and federal laws, including but not limited to vehicle safety, traffic laws, and ordinances. It is your responsibility to know the laws and how they apply to you.

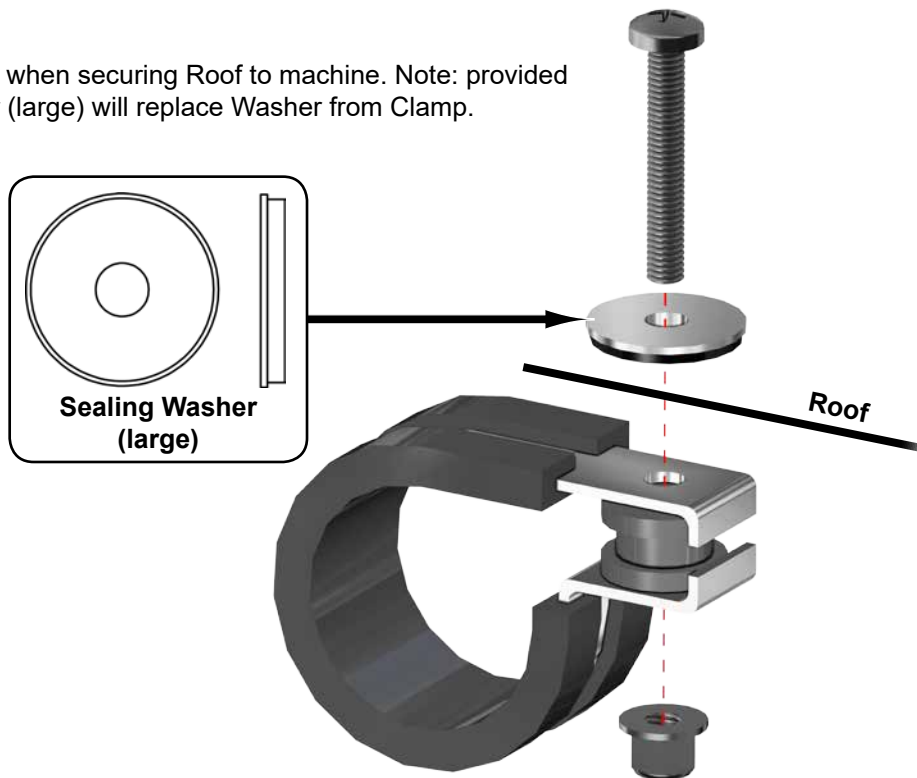
The Buyer is responsible to fully understand the capability and limitations of his/her vehicle according to manufacturer specifications, warnings and instructions and agrees to hold SuperATV® harmless from any damage resulting from failure to adhere to such specifications, warnings and/or instructions. The Buyer is also responsible to obey all applicable federal, state, and local laws and ordinances when operating his/her vehicle while using this product, and the Buyer agrees to hold SuperATV® harmless from any violation thereof.

- Separate hardware from all Clamps.
- Set Clamps and hardware aside.

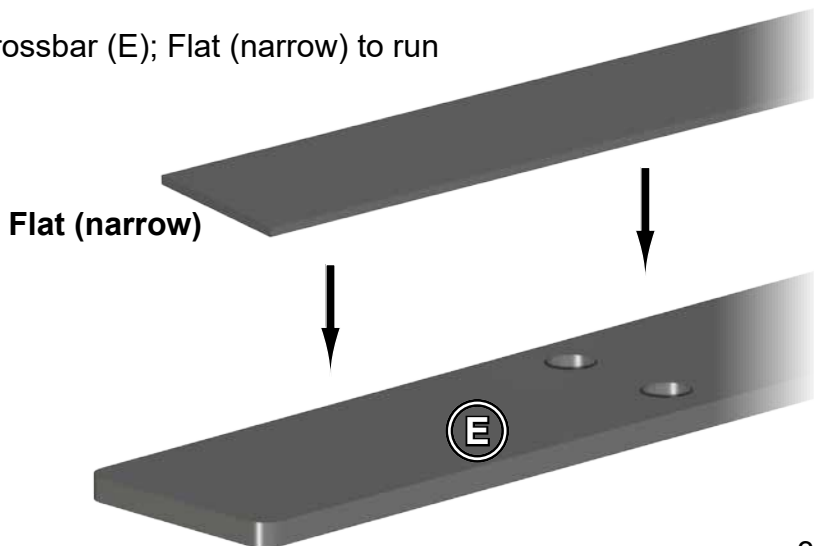


Keep Large and Small Clamp Bolts with applicable Clamp

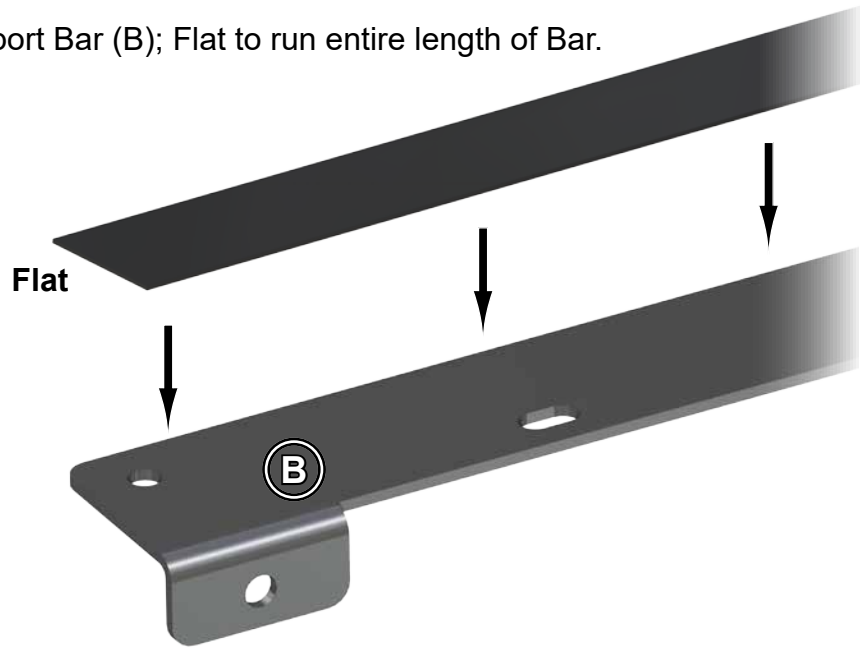
Reuse Clamp hardware when securing Roof to machine. Note: provided Sealing Washer (large) will replace Washer from Clamp.



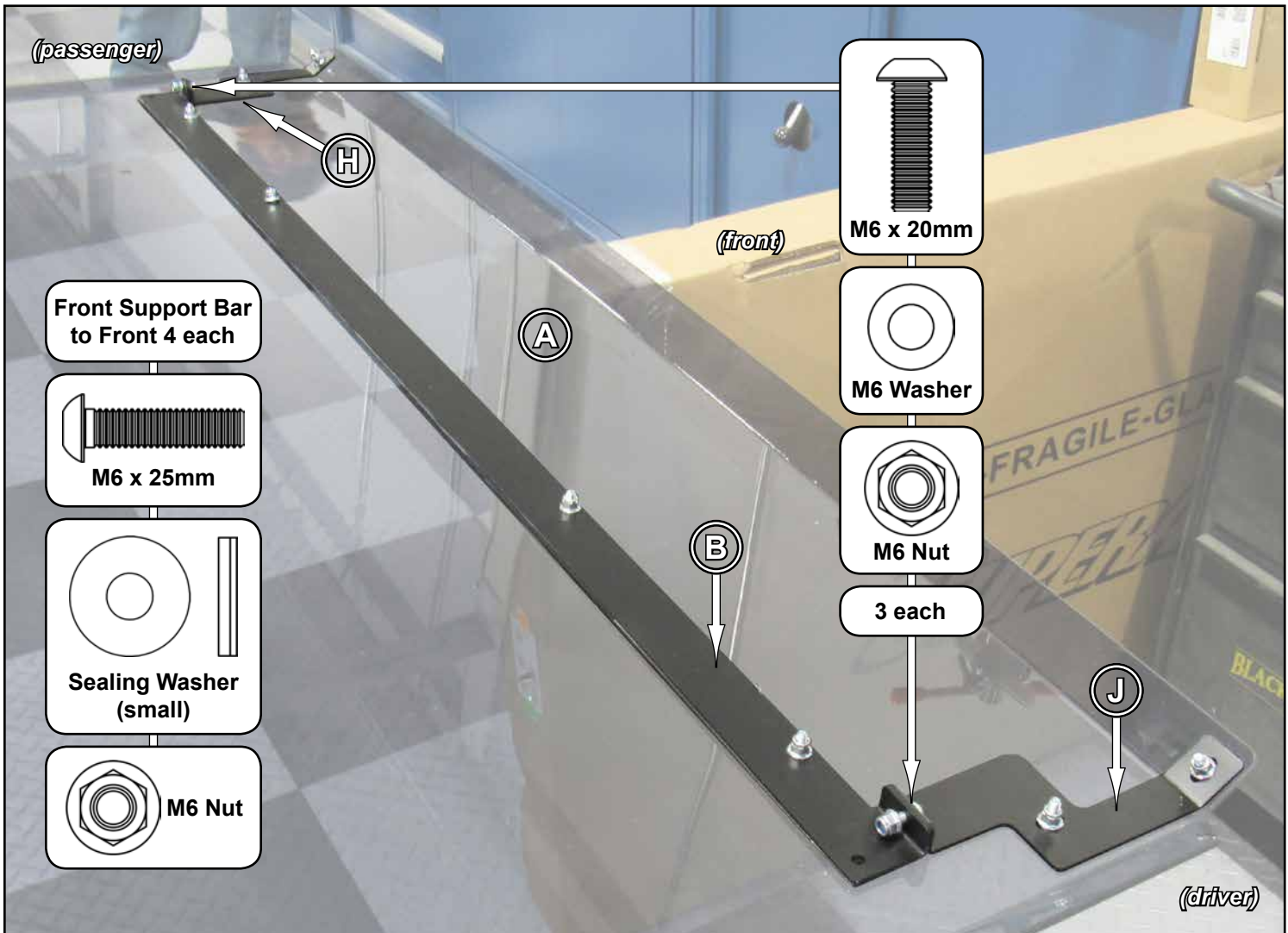
- Install Flat (narrow) to ONE SIDE ONLY of Crossbar (E); Flat (narrow) to run entire length of Bar.
- Do not apply to remaining Crossbar (E).



- Install Flat to Front Support Bar (B); Flat to run entire length of Bar.



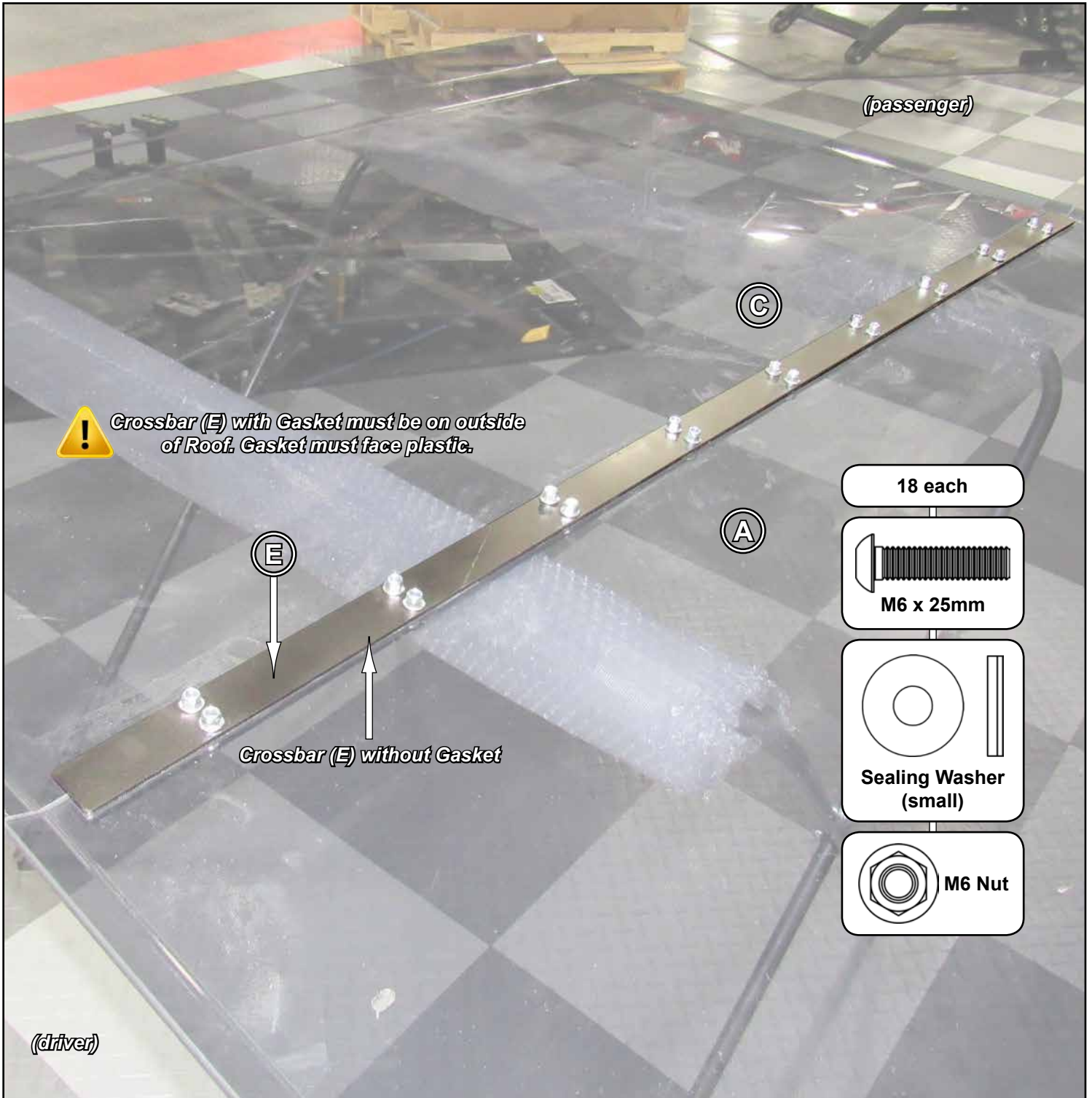
- Install Front Support Bar (B) to Front (A) with hardware shown.
- Install Right and Left Support Bars (H)(J) to Front (A) with hardware shown.
- Secure Right and Left Support Bars (H)(J) to Front Support Bar (B) with hardware shown.



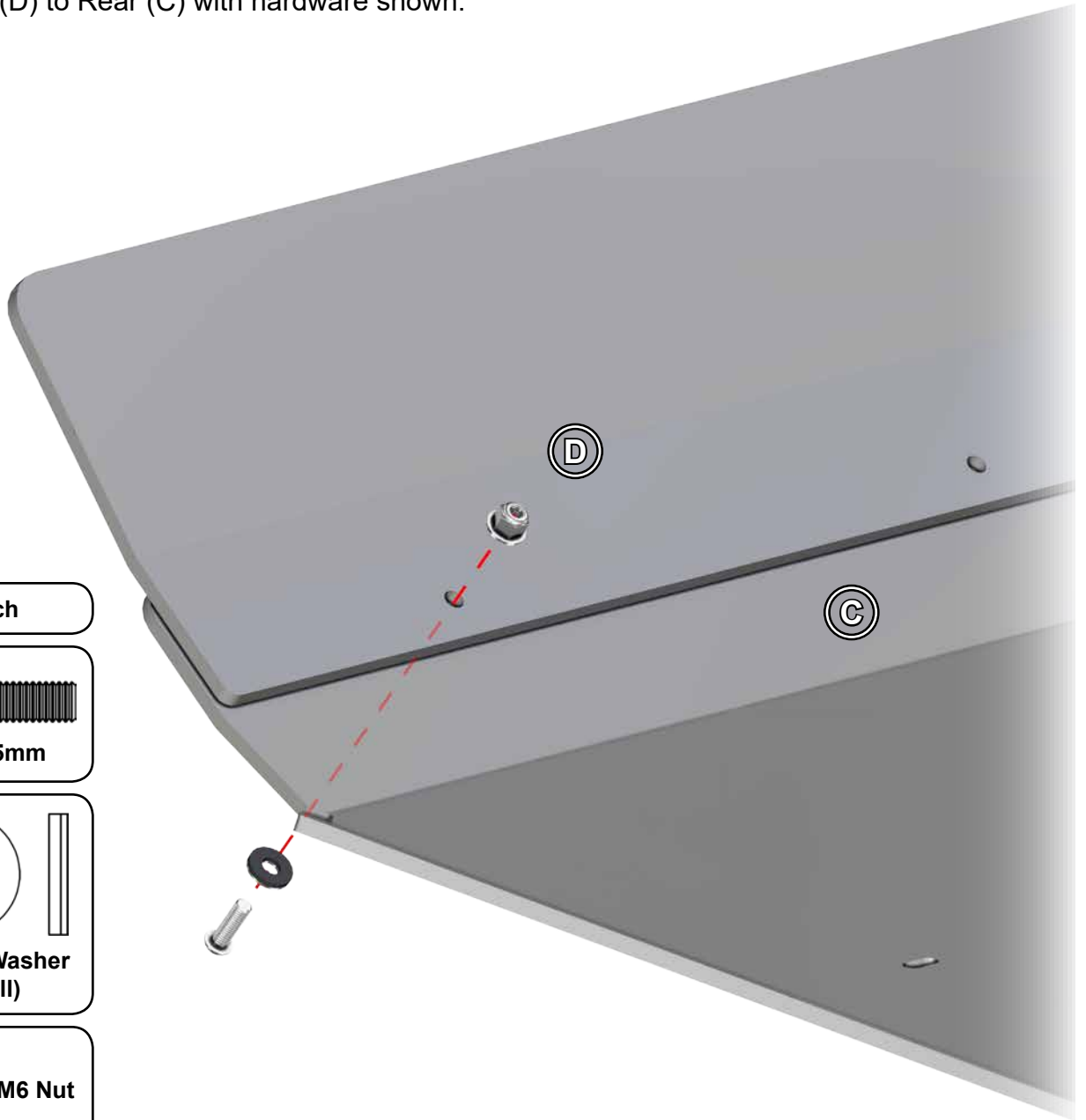
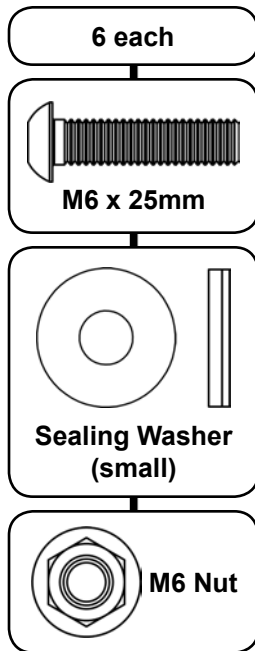
- Clean Cage and install Foam along sides and across centers.



- Join Front (A) and Rear (C) to Crossbars (E) with hardware shown.
- Tighten hardware.



- Install Extension (D) to Rear (C) with hardware shown.





- Secure Front (A) to Cage; see page 3 for Clamp installation details.





- Secure Front (A) and Rear (C) to Cage; see page 3 for Clamp installation details.
- Repeat for opposite side.





- Secure Rear (C) to Cage; see page 3 for Clamp installation details.





- Align Roof assembly to machine and tighten all hardware.

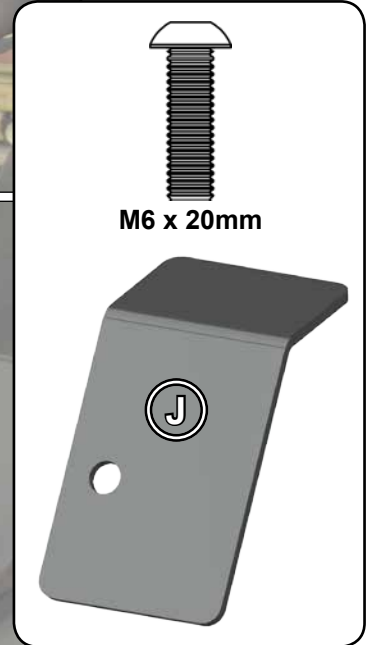
Glass Windshield note:

If SuperATV Glass Windshield is installed, secure to Front (A) in locations shown.
Refer to page 4 for hardware.



Flip Windshield note:

- Install Left FWS Bracket (J) to Clamp with hardware shown; tighten hardware.
- Repeat for Right FWS Bracket (H).



Full Windshield note:

- Install Channel to top of Windshield.

