

Item	Description
A	Faceplate (no mesh) X 2
B	Riser x 4
C	Faceplate Assembly x 2
D	Bracket
E	Connector
F	Riser Pipe Assembly
G	Small Riser Pipe Assembly x 2
H	Hose Joiner
J	Valve x 3
S	Bracket Cover

*(kit contents continue on following page)*

**Liability Statement**

SuperATV's® products are designed to best fit user's ATV/UTV under stock conditions. Adding, modifying, or fabricating any factory or aftermarket parts will void any warranty provided by SuperATV® and is not recommended. SuperATV's® products could interfere with other aftermarket accessories. If user has aftermarket products on machine, contact SuperATV® to verify that they will work together.

Although SuperATV® has thousands of satisfied customers, user should be aware that installing lift kits, long travel, or suspension kits, tires, etc. will change the ride of machine and may increase maintenance and part wear. Operating any off-road machine while, or after, consuming alcohol and/or drugs increases risk of bodily harm or death. No warranty or representation is made as to this product's ability to protect user from severe injury or death. SuperATV® urges operators and occupants to wear a helmet and appropriate riding gear at all times.

By purchasing and installing SuperATV® products, user agrees that should damages occur, SuperATV® will not be held responsible for loss of time, use, labor fees, replacement parts, or freight charges. SuperATV®, nor any 3rd party, will not be held responsible for any direct, indirect, incidental, special, or consequential damages that result from any product purchased from SuperATV®. The total liability of seller to user for all damages, losses, and causes of action, if any, shall not exceed the total purchase price paid for the product that gave rise to the claim.

SuperATV® will warranty only parts provided by SuperATV®. Any damage or problems with OEM housings, bearings, seals, or other manufacturers' products will not be covered by SuperATV®. SuperATV® parts and products are not warranted if item was not installed properly, misused, or modified.

Installing, adding, modifying, or fabricating any factory or aftermarket product to your ATV/UTV may violate certain local, state, and federal laws. Be advised that laws vary depending on town, city, county, state, etc. Use of certain products on public streets, roads, or highways may be in violation law. The Buyer is solely and exclusively legally and personally responsible for any violation of the law by the installation or use of the product. You must abide by all local, state, and federal laws, including but not limited to vehicle safety, traffic laws, and ordinances. It is your responsibility to know the laws and how they apply to you.

The Buyer is responsible to fully understand the capability and limitations of his/her vehicle according to manufacturer specifications, warnings and instructions and agrees to hold SuperATV® harmless from any damage resulting from failure to adhere to such specifications, warnings and/ or instructions. The Buyer is also responsible to obey all applicable federal, state, and local laws and ordinances when operating his/her vehicle while using this product, and the Buyer agrees to hold SuperATV® harmless from any violation thereof.

**Need help with your installation?**

✉ sales@superatv.com    🌐 www.superatv.com

☎ 1-855-743-3427    🕒 8:00am - 8:00pm EST M-Th  
8:00am - 7:00pm EST Friday  
9:00am - 2:00pm EST Saturday

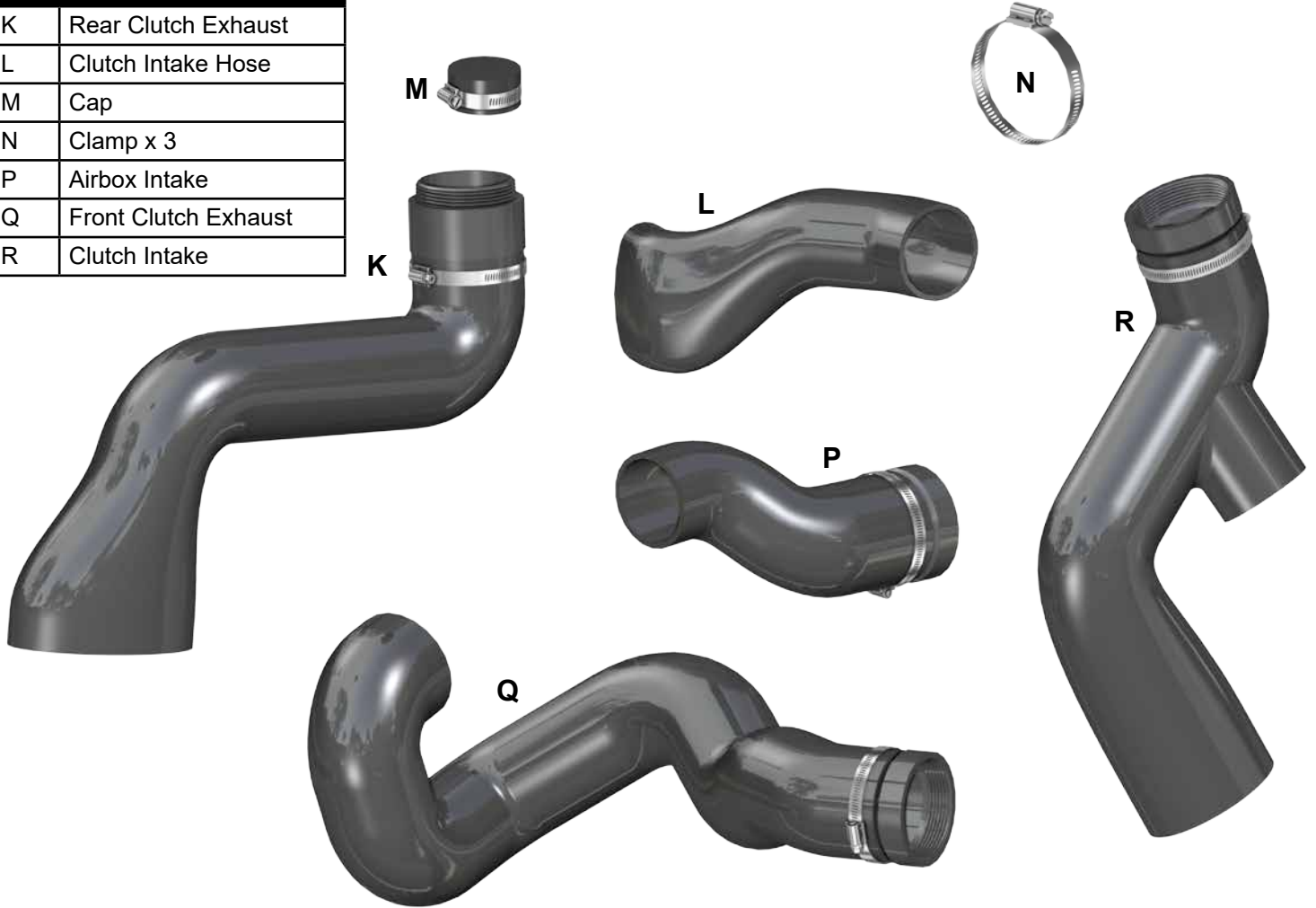
**Read instructions and view illustrations before beginning.**

*Thank You  
For Choosing*

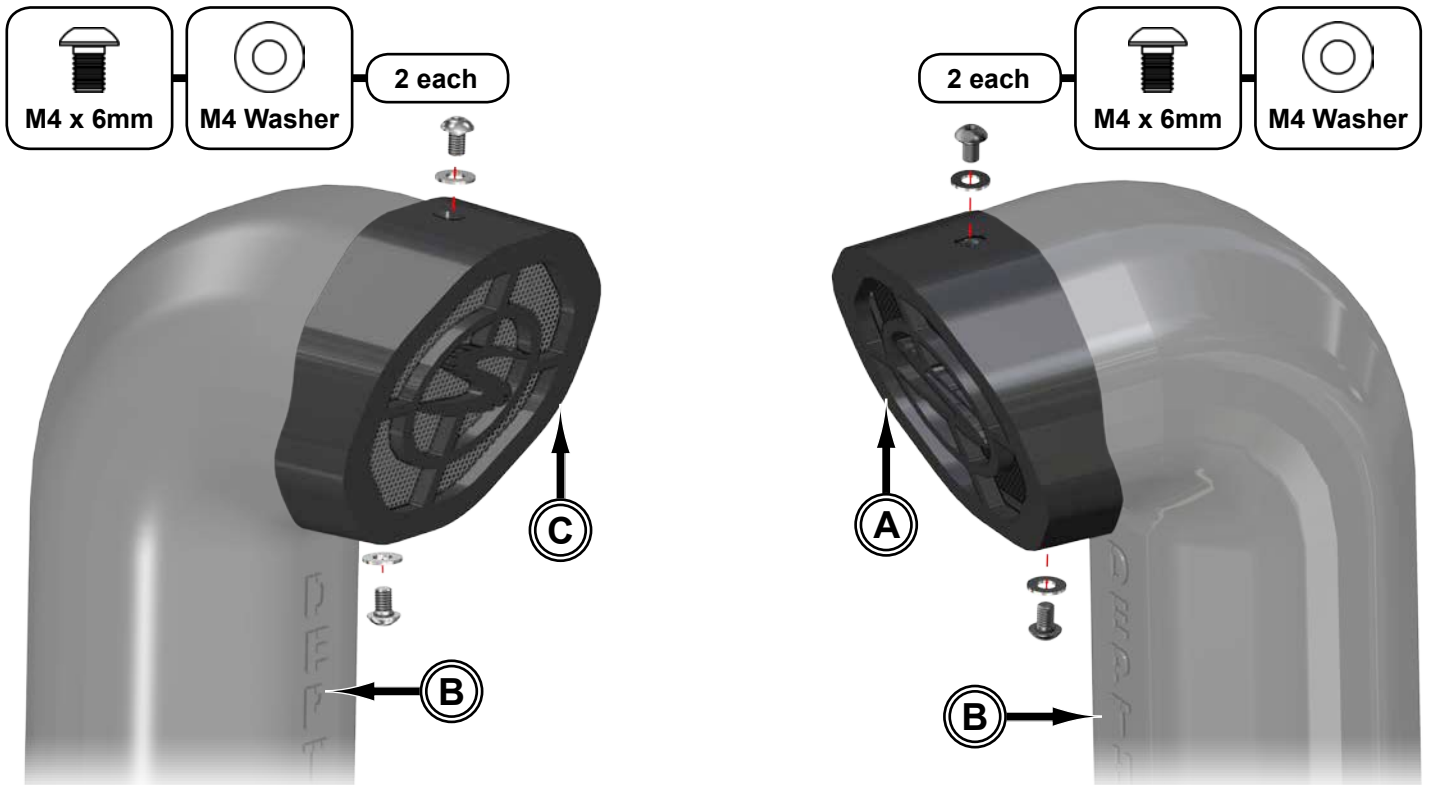


Item	Description
K	Rear Clutch Exhaust
L	Clutch Intake Hose
M	Cap
N	Clamp x 3
P	Airbox Intake
Q	Front Clutch Exhaust
R	Clutch Intake

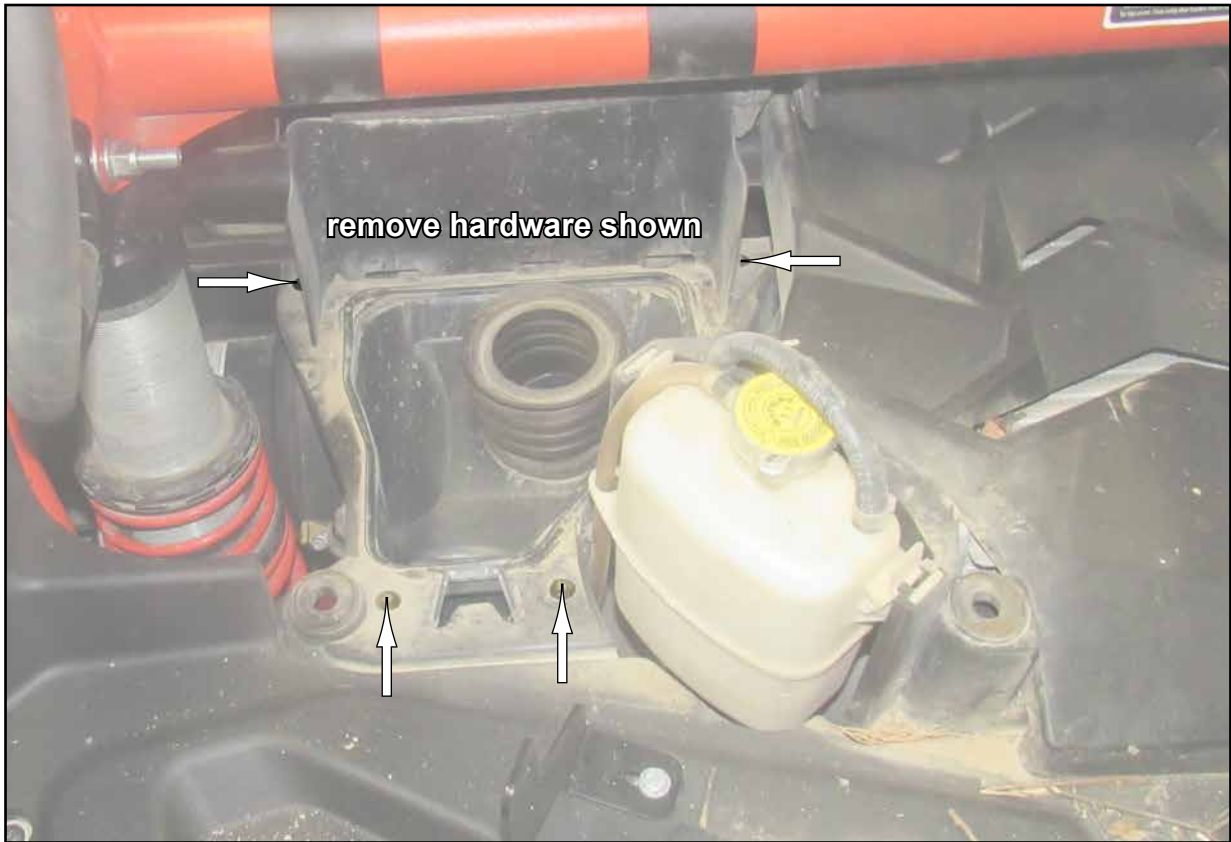
(kit contents continued)

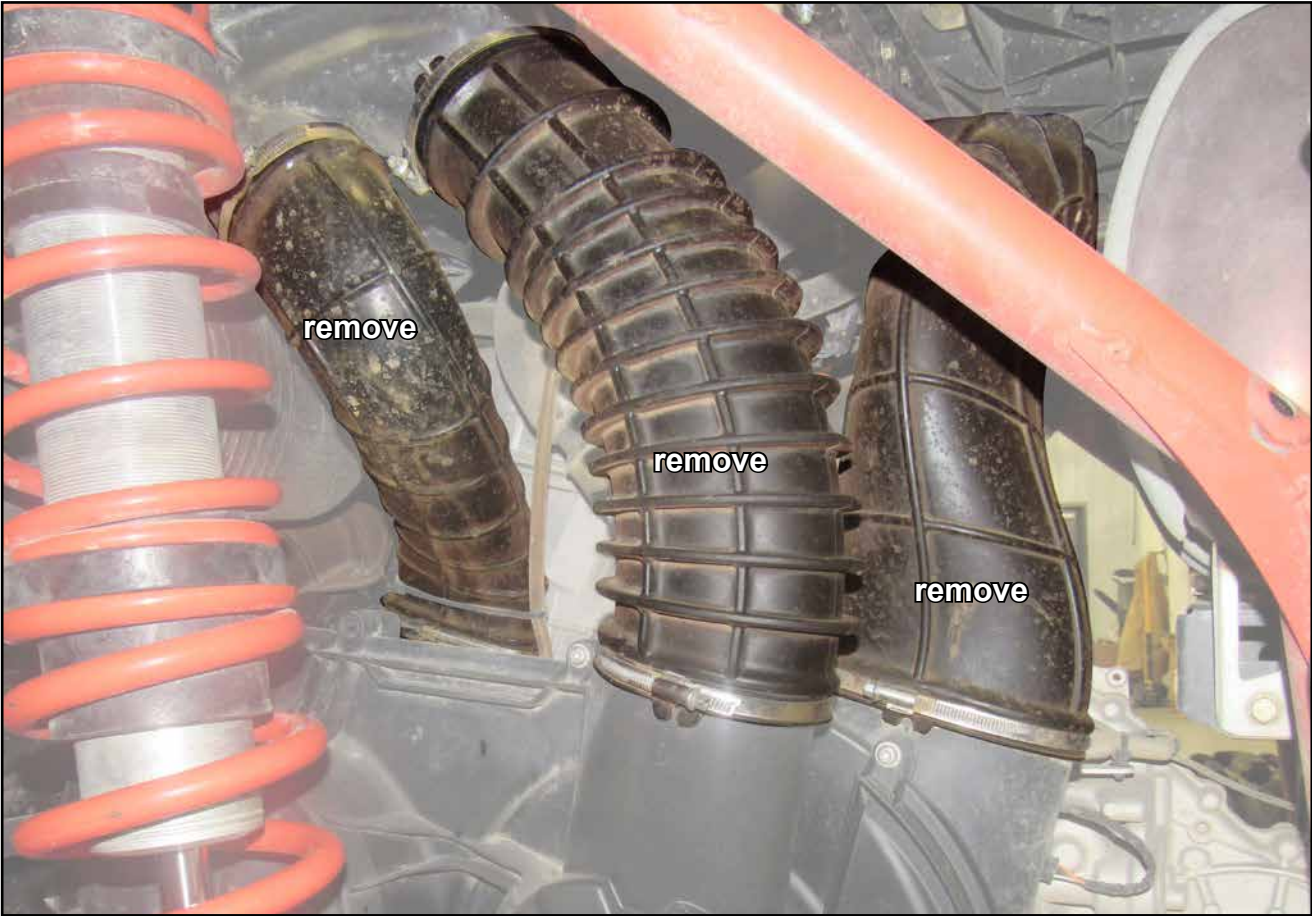


- install Faceplates to Snorkel Risers (B) with hardware shown and set aside



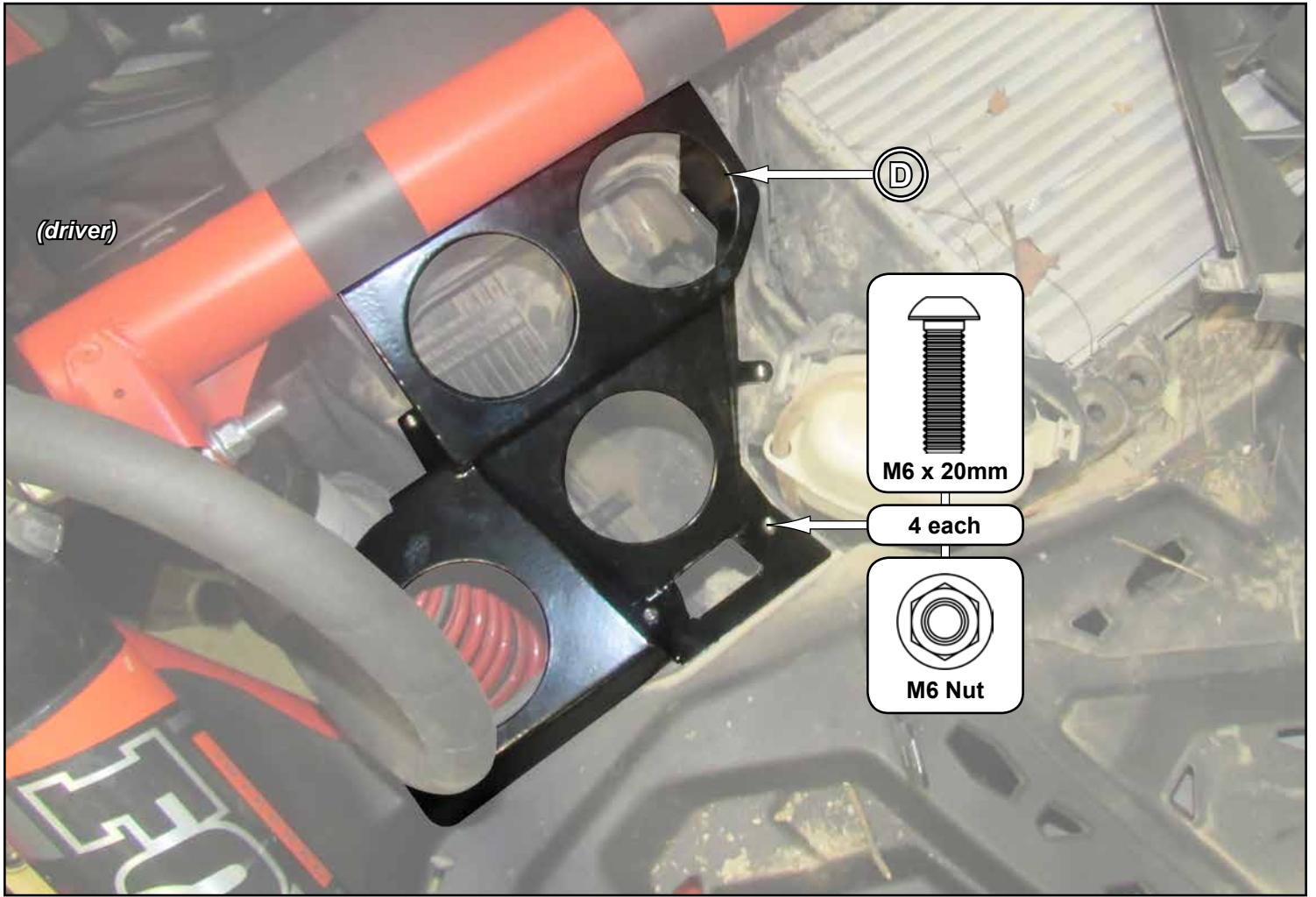




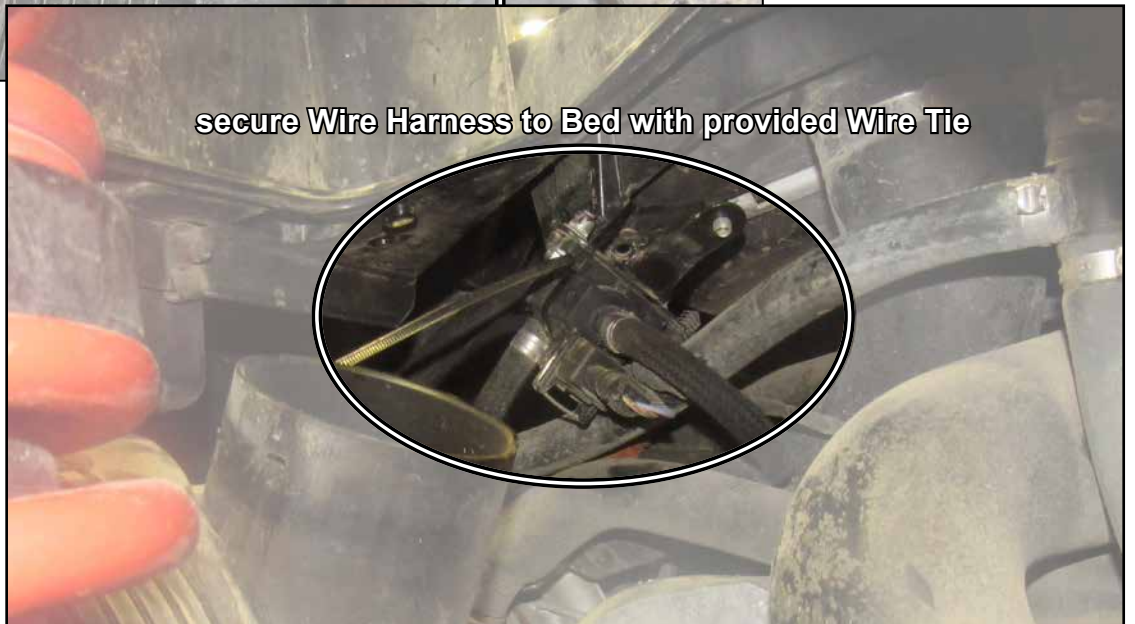




- Install Bracket (D) to stock location with hardware shown.



- Install Airbox Intake (P) to Airbox.
- Route opposite end up to previously installed Bracket (D).





- Install Front Clutch Exhaust (Q) to Clutch Housing.
- Route opposite end up to previously installed Bracket (D).



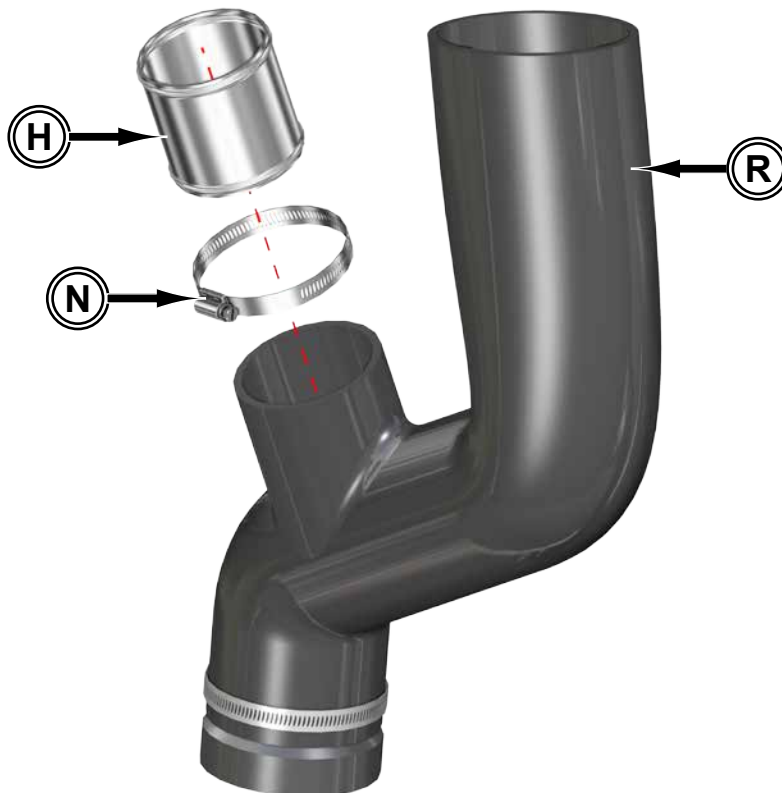
- Install Rear Clutch Exhaust (K) to Clutch Housing.
- Route opposite end up to previously installed Bracket (D).



- Install Clutch Intake Hose (L) to Clutch Housing.



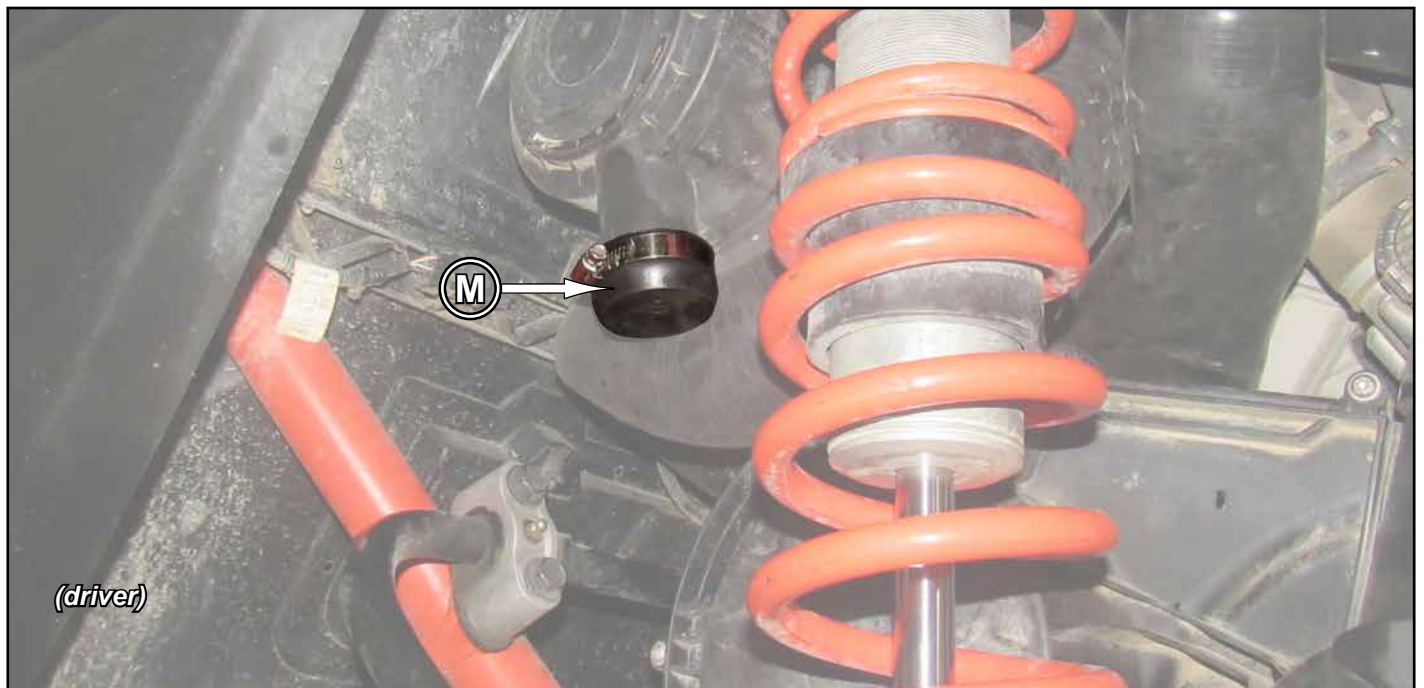
- Assemble Hose Joiner (H) and Clamp (N) to Clutch Intake (R).



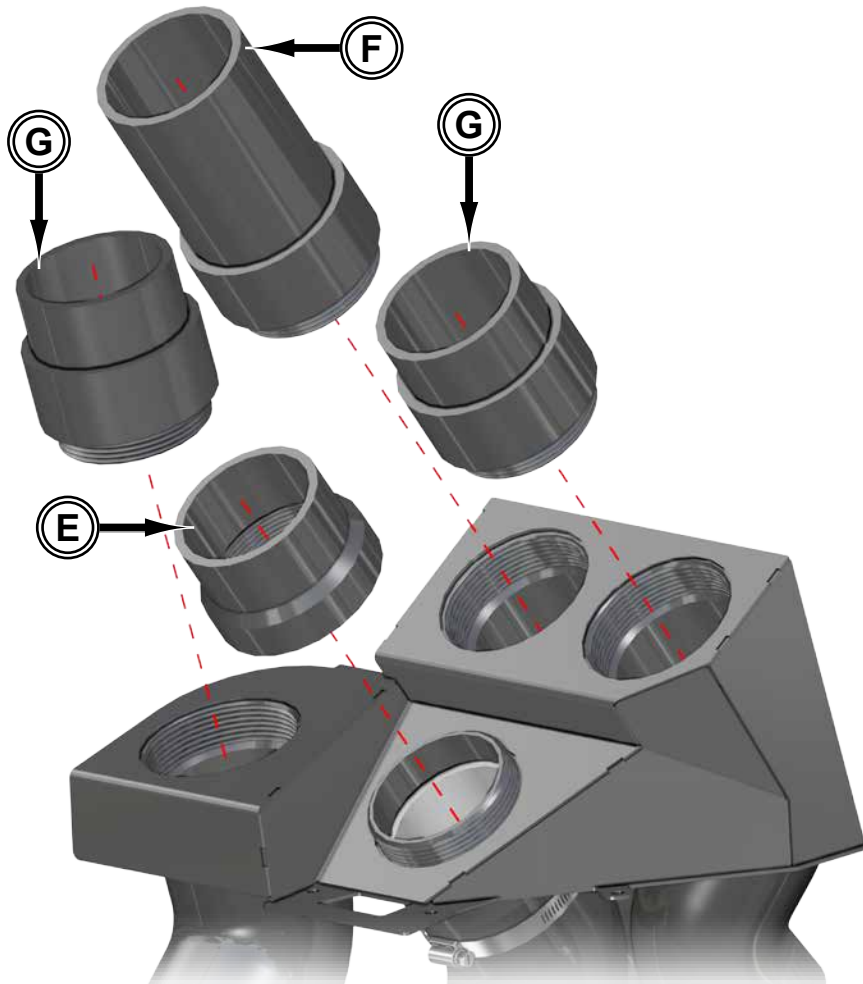
- Install Clutch Intake (R) onto previously installed Clutch Intake Hose (L).
- Route opposite end up to previously installed Bracket (D).



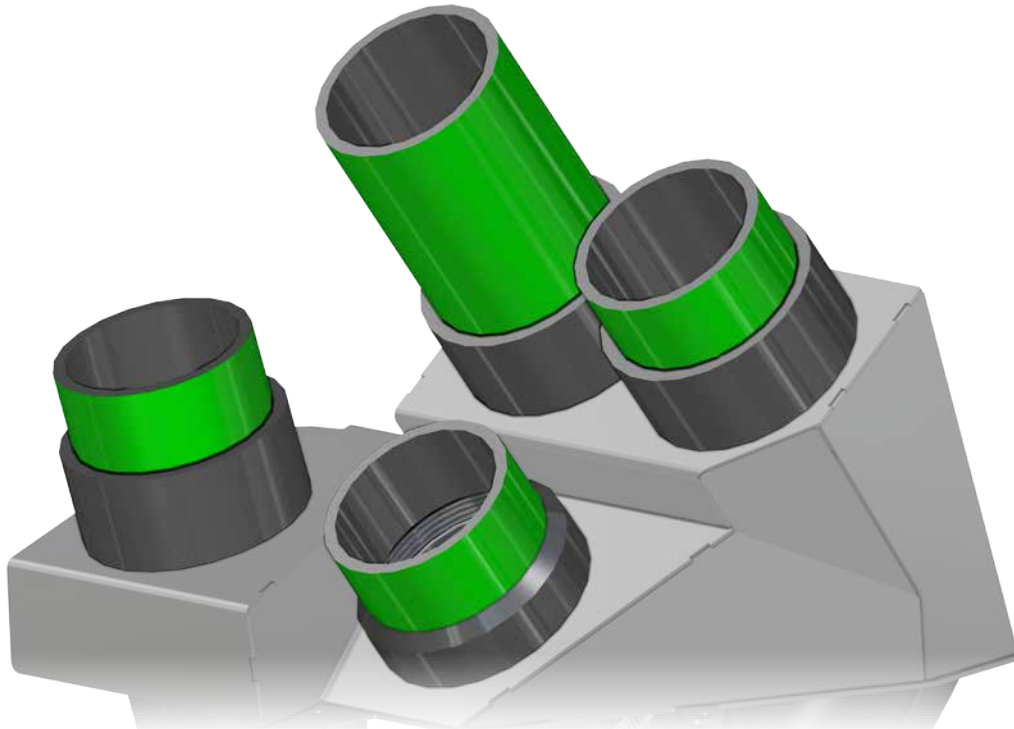
- Install Cap (M).



- Install Riser Pipe Assemblies; tighten completely.

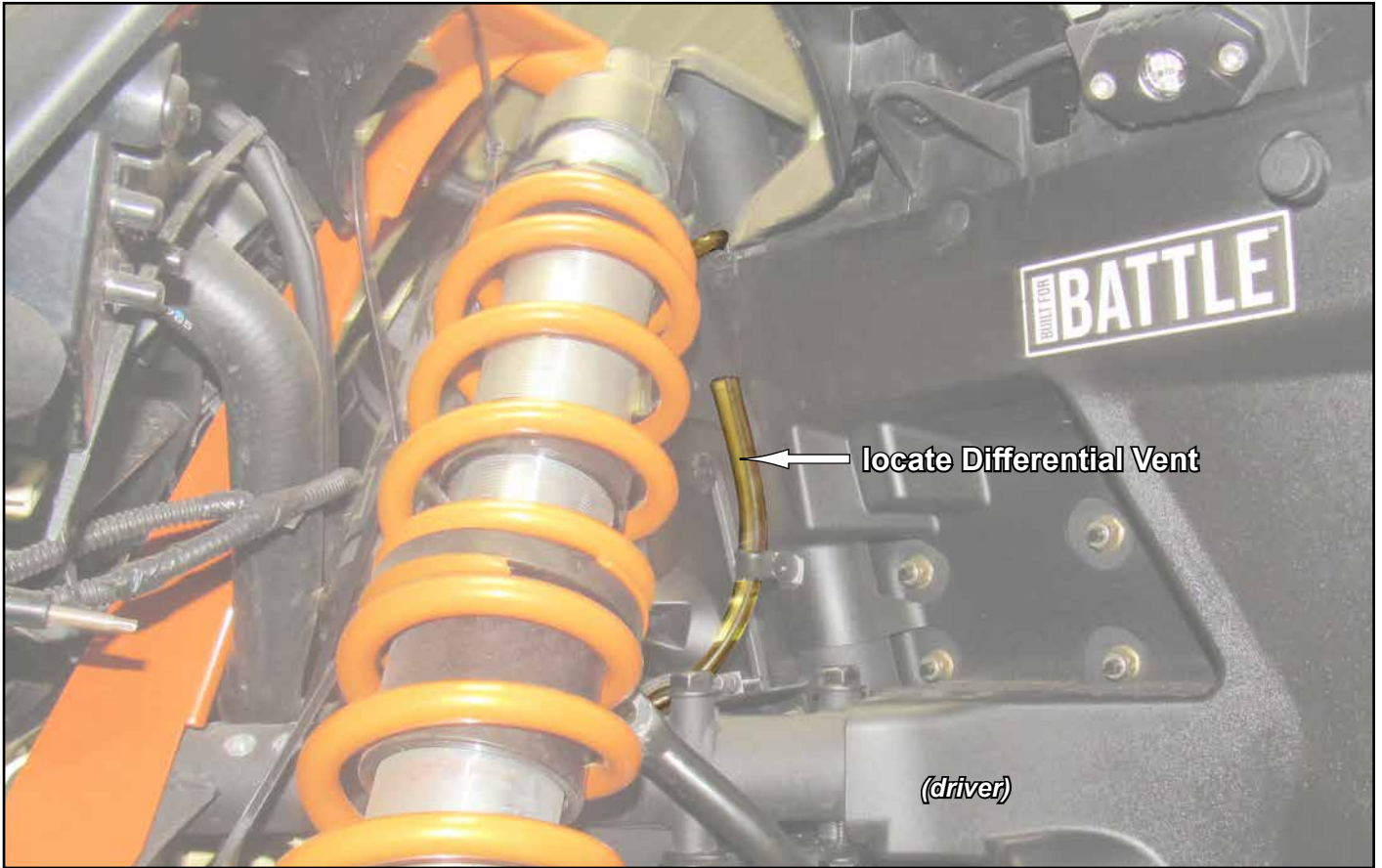


**apply black RTV 100% Silicone to surfaces shown**

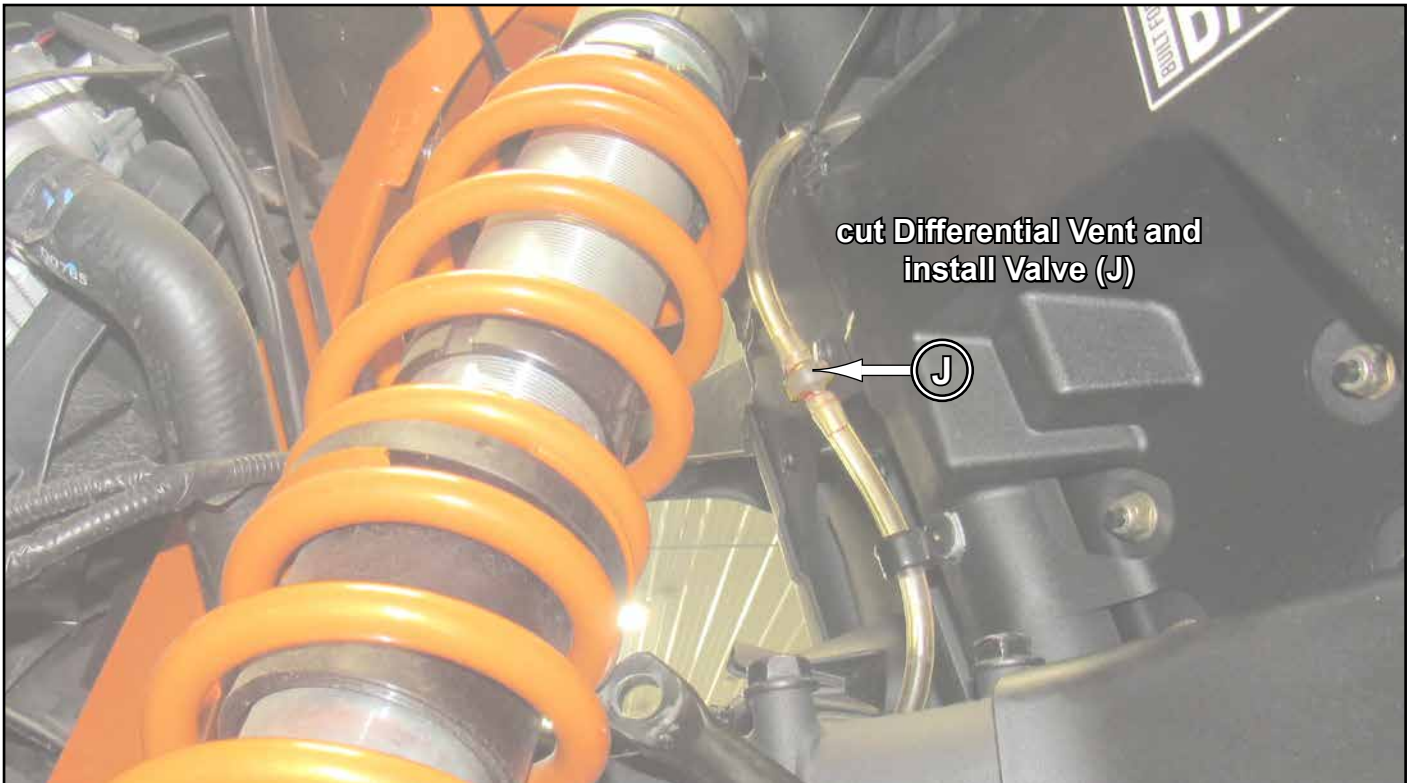


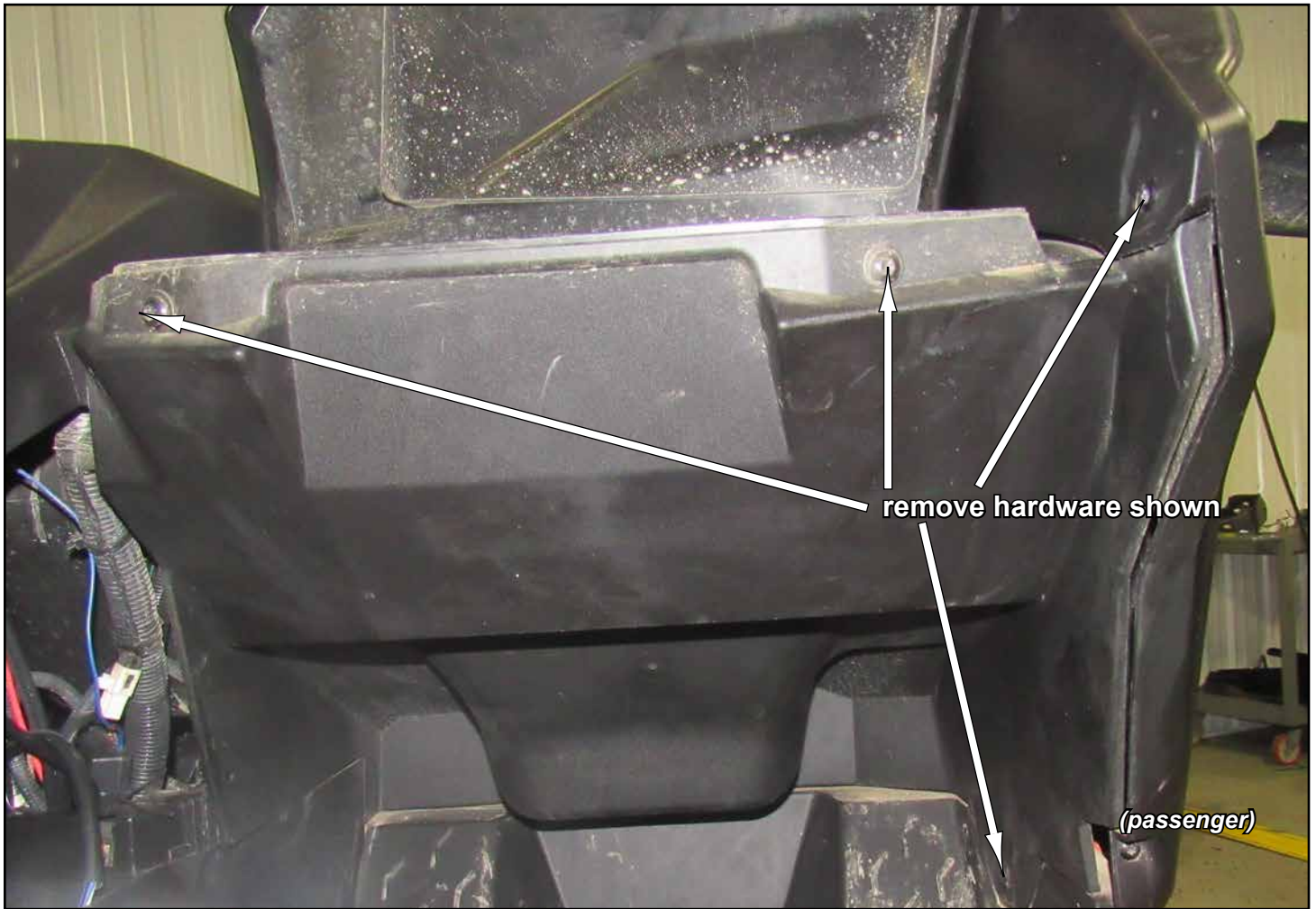
install Risers as shown





- Valves vent away from Differential, Transmission, Fan, Gas Tank, etc.
- Blow through Valve; air should be coming out opposite end.
- Remove from mouth and insert end (from mouth) onto Tube.





remove hardware shown

(passenger)

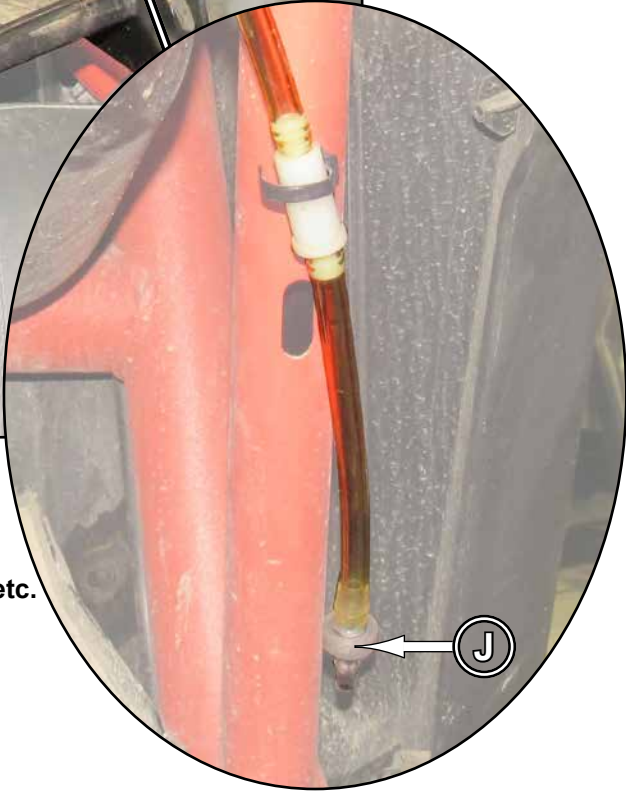


remove Push Pins from inside Glovebox





install Valve (J) to Fuel Vent  
and resecure panel



- Valves vent away from Differential, Transmission, Fan, Gas Tank, etc.
- Blow through Valve; air should be coming out opposite end.
- Remove from mouth and insert end (from mouth) onto Tube.



- Valves vent away from Differential, Transmission, Fan, Gas Tank, etc.
- Blow through Valve; air should be coming out opposite end.
- Remove from mouth and insert end (from mouth) onto Tube.

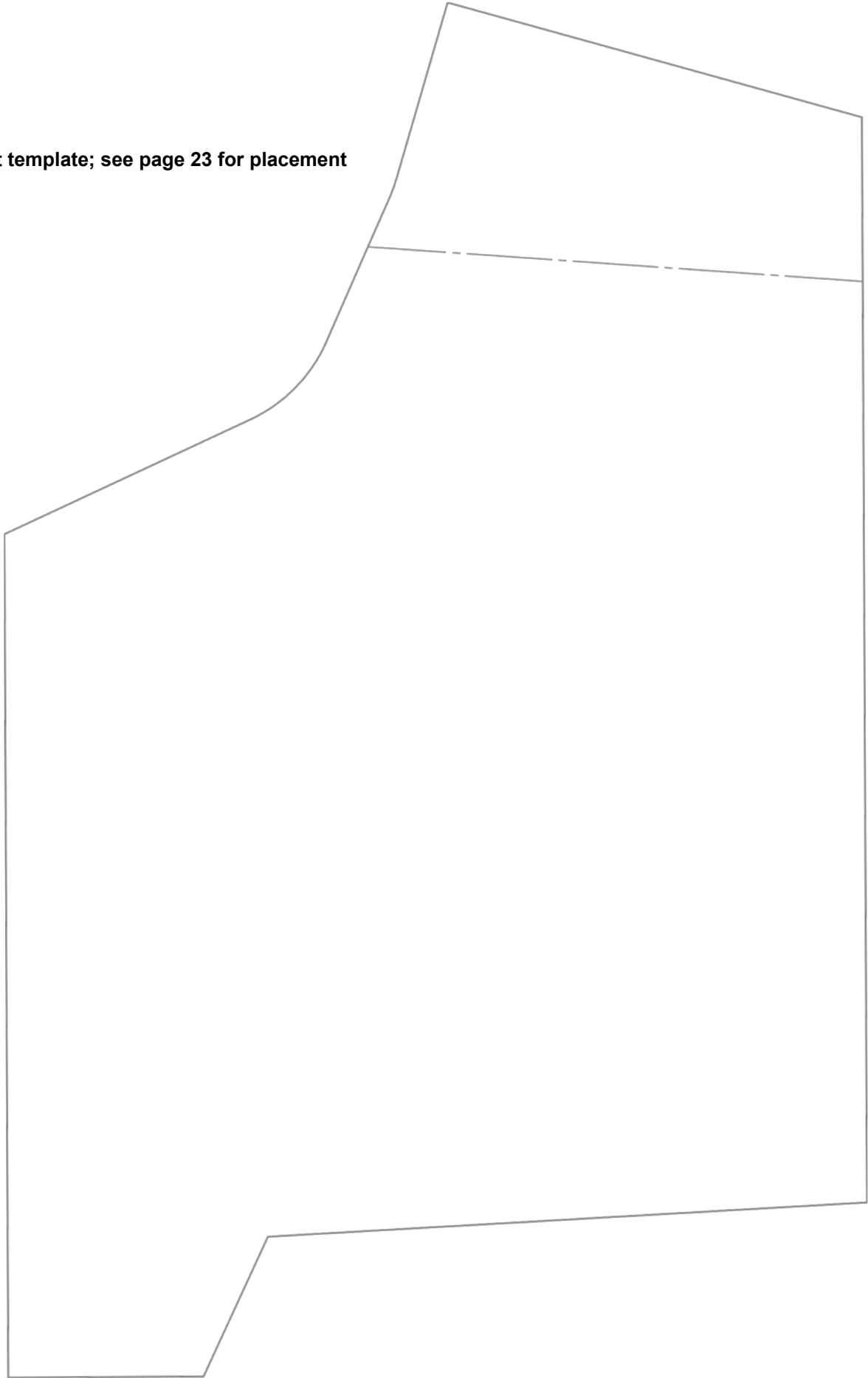


**Cut out template; see page 23 for placement**



**page intentionally blank**

**Cut out template; see page 23 for placement**



**page intentionally blank**



tape templates onto Cover





trace outline of templates onto Cover





**follow outline and cut Cover (SuperATV recommends a jigsaw)**



install Cover Bracket (S) with hardware shown; do not tighten

