



Liability Statement

SuperATV's[®] products are designed to best fit user's ATV/UTV under stock conditions. Adding, modifying, or fabricating any factory or aftermarket parts will void any warranty provided by SuperATV[®] and is not recommended. SuperATV's[®] products could interfere with other aftermarket accessories. If user has aftermarket products on machine, contact SuperATV[®] to verify that they will work together.

Although SuperATV[®] has thousands of satisfied customers, user should be aware that installing lift kits, long travel, or suspension kits, tires, etc. will change the ride of machine and may increase maintenance and part wear. Operating any off-road machine while, or after, consuming alcohol and/or drugs increases risk of bodily harm or death. No warranty or representation is made as to this product's ability to protect user from severe injury or death. SuperATV[®] urges operators and occupants to wear a helmet and appropriate riding gear at all times.

By purchasing and installing SuperATV[®] products, user agrees that should damages occur, SuperATV[®] will not be held responsible for loss of time, use, labor fees, replacement parts, or freight charges. SuperATV[®], nor any 3rd party, will not be held responsible for any direct, indirect, incidental, special, or consequential damages that result from any product purchased from SuperATV[®]. The total liability of seller to user for all damages, losses, and causes of action, if any, shall not exceed the total purchase price paid for the product that gave rise to the claim.

SuperATV[®] will warranty only parts provided by SuperATV[®]. Any damage or problems with OEM housings, bearings, seals, or other manufacturers' products will not be covered by SuperATV[®]. SuperATV[®] parts and products are not warrantied if item was not installed properly, misused, or modified.

Installing, adding, modifying, or fabricating any factory or aftermarket product to your ATV/UTV may violate certain local, state, and federal laws. Be advised that laws vary depending on town, city, county, state, etc. Use of certain products on public streets, roads, or highways may be in violation law. The Buyer is solely and exclusively legally and personally responsible for any violation of the law by the installation or use of the product. You must abide by all local, state, and federal laws, including but not limited to vehicle safety, traffic laws, and ordinances. It is your responsibility to know the laws and how they apply to you.

The Buyer is responsible to fully understand the capability and limitations of his/her vehicle according to manufacturer specifications, warnings and instructions and agrees to hold SuperATV[®] harmless from any damage resulting from failure to adhere to such specifications, warnings and/ or instructions. The Buyer is also responsible to obey all applicable federal, state, and local laws and ordinances when operating his/her vehicle while using this product, and the Buyer agrees to hold SuperATV[®] harmless from any violation thereof.

Need help with your installation?



sales@superatv.com



www.superatv.com



1-855-743-3427



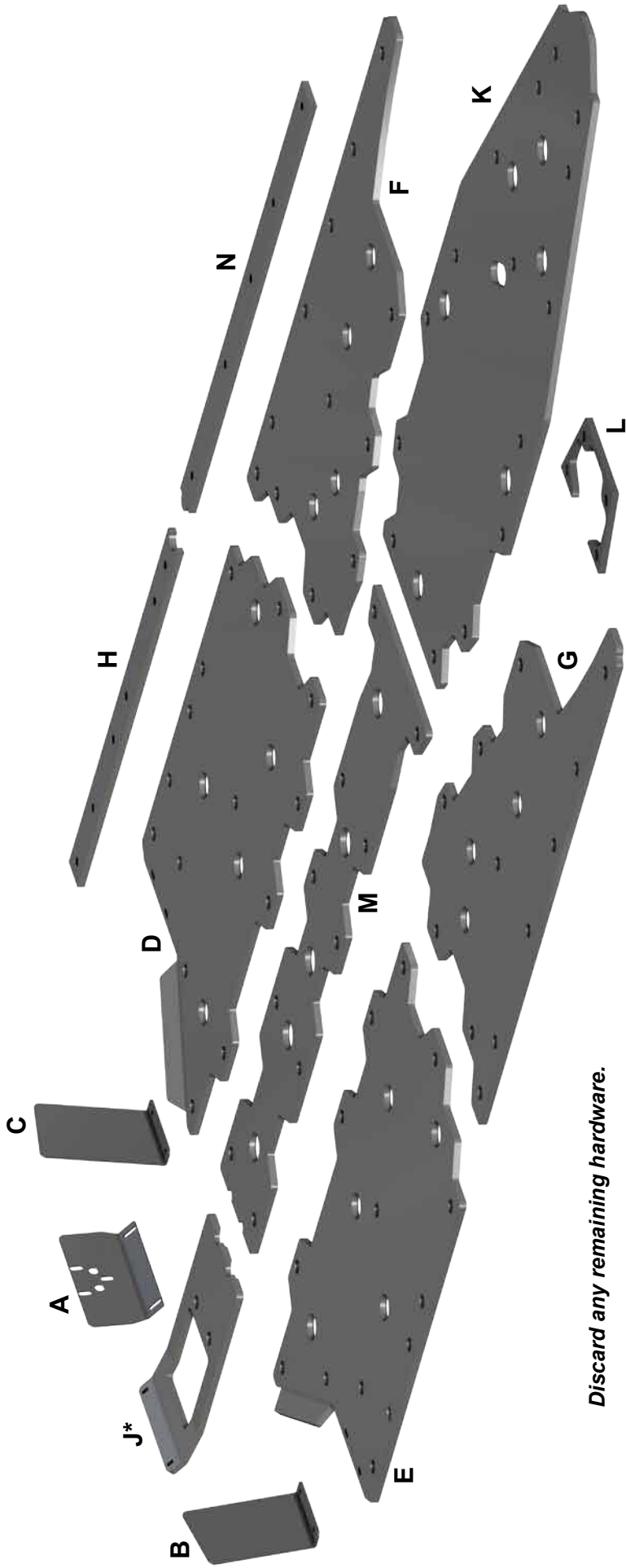
8:00am - 8:00pm EST M-Th
8:00am - 7:00pm EST Friday
9:00am - 2:00pm EST Saturday

Read instructions and view illustrations before beginning.

Thank You

For Choosing





Discard any remaining hardware.

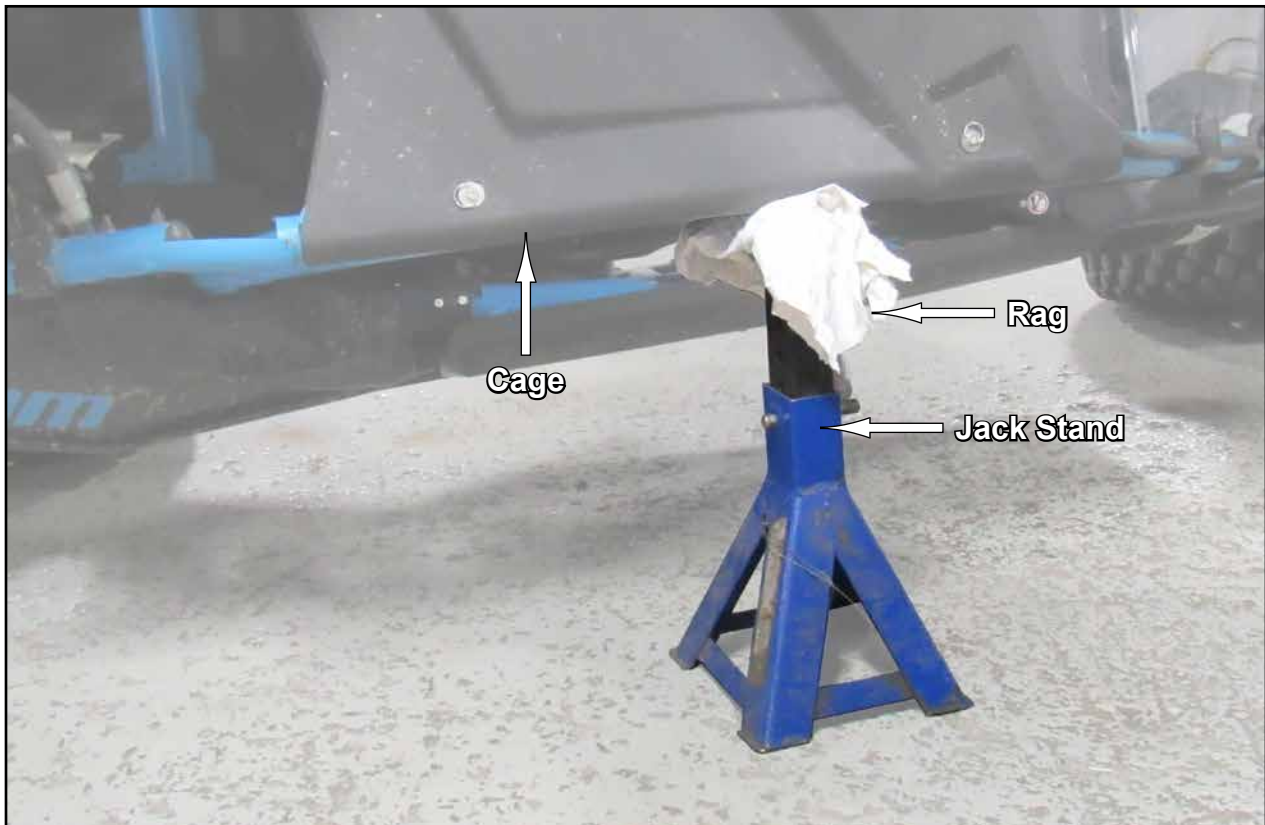
Item	Description	Item	Description	Item	Description
A	Front Metal Plate	E	Left Plate 1	J*	Front Plate
B	Right Splash Guard	F	Right Plate 2	K	Rear Plate
C	Left Splash Guard	G	Left Plate 2	L	Rear Spacer
D	Right Plate 1	H	Spacer 1 x 2	M	Center Plate
				N	Spacer 2 x 2

**Do not install if SuperATV Frame Stiffener or Snow Plow Mount is installed.*

Before installing self-tapping hardware, pre-drill holes with 5/32" drill bit.

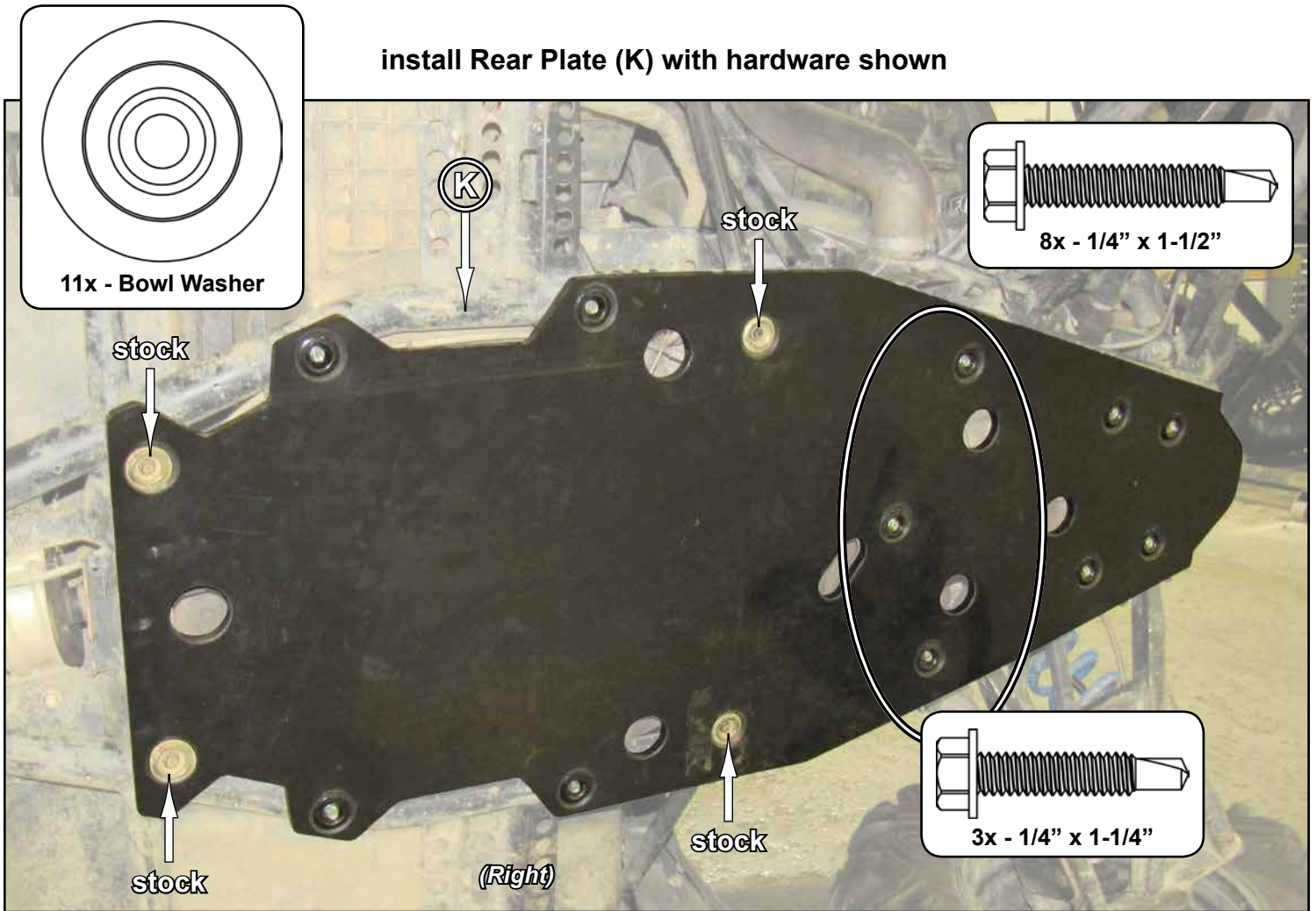
Vehicle Flip: *SuperATV's recommended installation method; use caution.*

- To prevent scratching Cage, place a rag or other suitable material on Jack Stand.
- With helpers, slowly flip machine onto its side; have helpers on opposite side to guide machine onto Jack Stand.

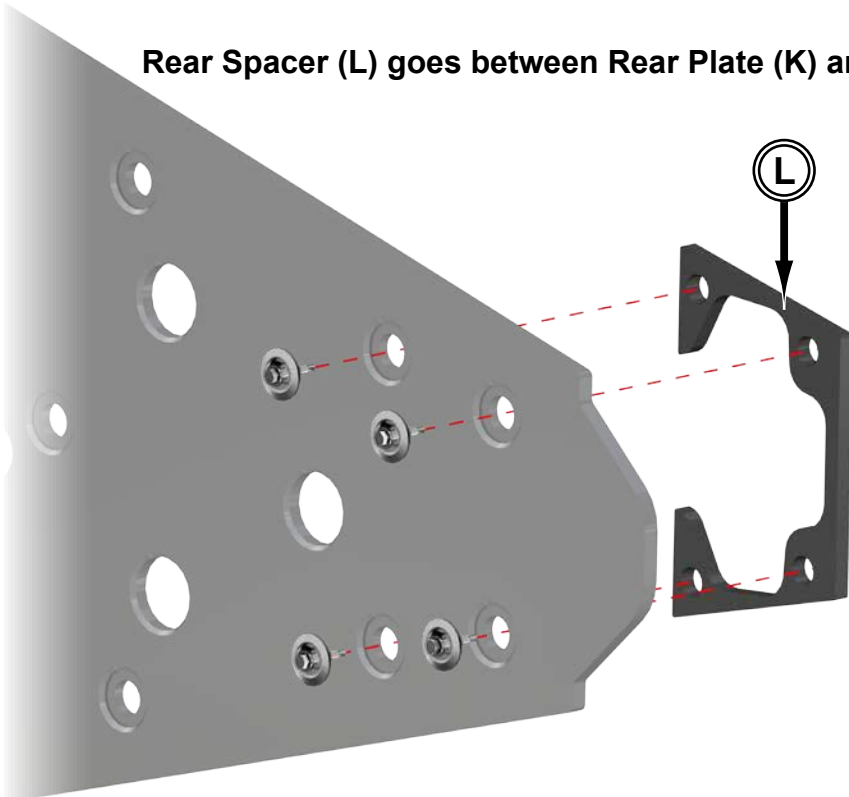


DO NOT TIGHTEN ANY HARDWARE COMPLETELY UNLESS NOTED

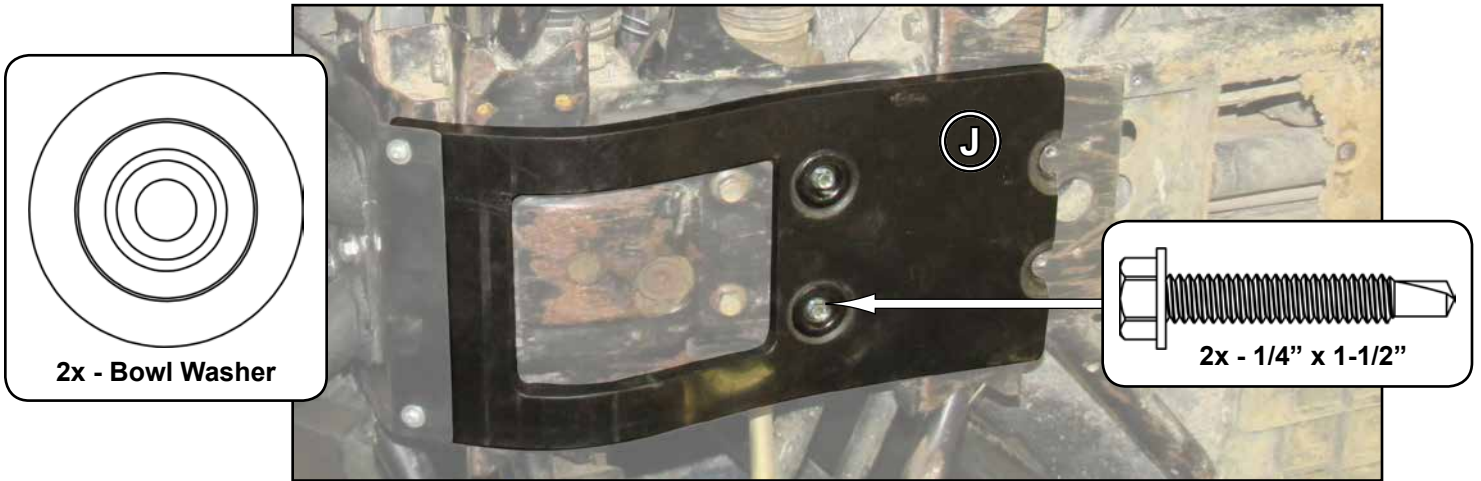
install Rear Plate (K) with hardware shown



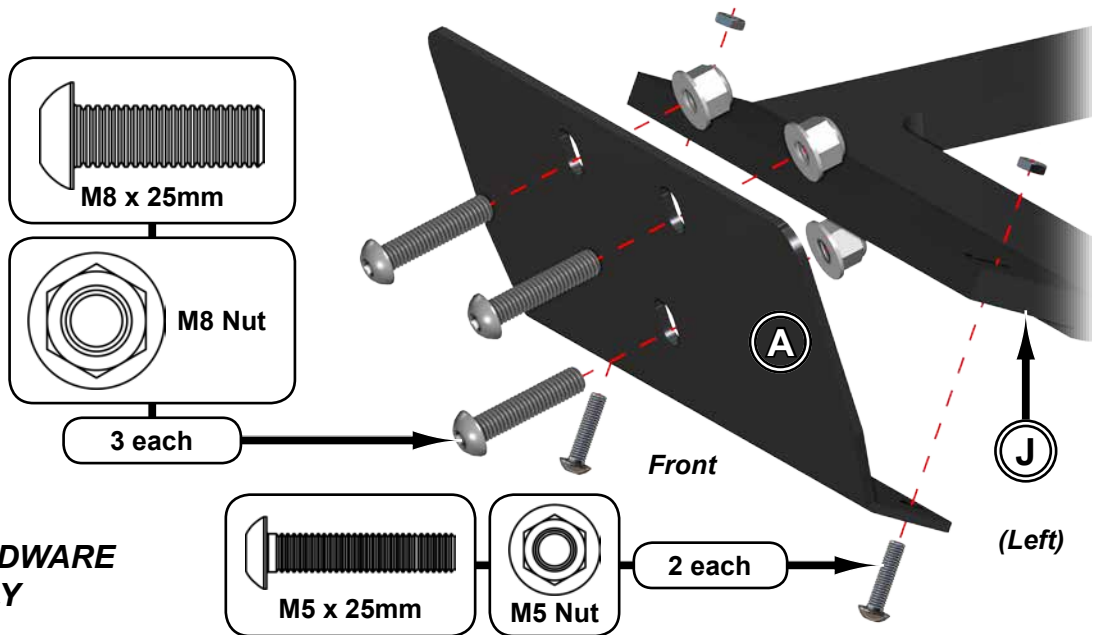
Rear Spacer (L) goes between Rear Plate (K) and Frame



install Front Plate (J) to Frame with hardware shown



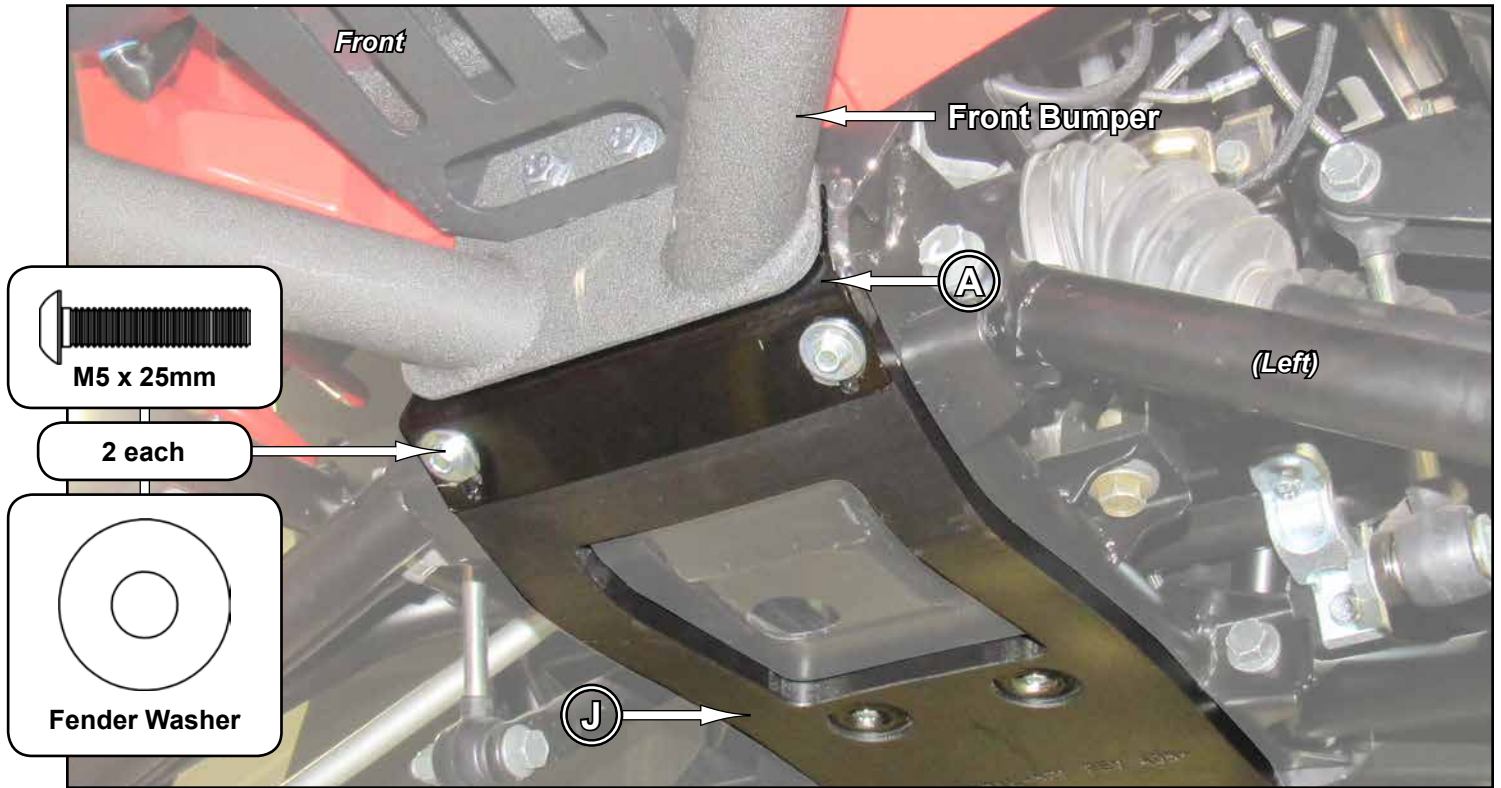
install Front Metal Plate (A) to Front Plate (J) and Frame with hardware shown



TIGHTEN ALL HARDWARE COMPLETELY

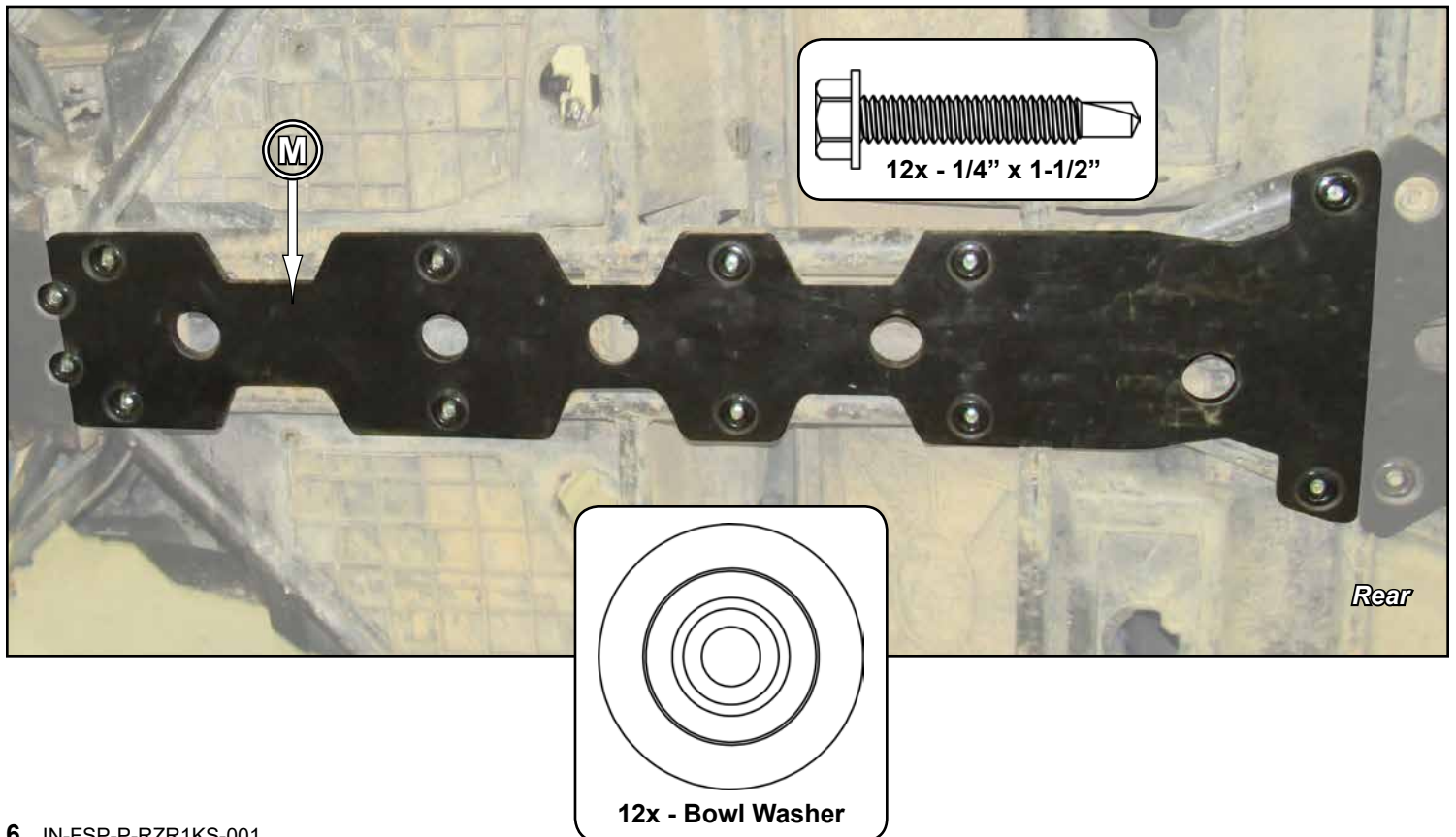
machines with a Bumper installed, see next page for Front Metal Plate (A) installation

secure Front Bumper as shown if applicable

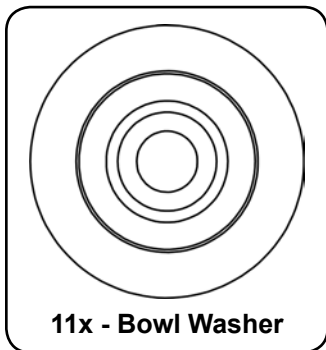
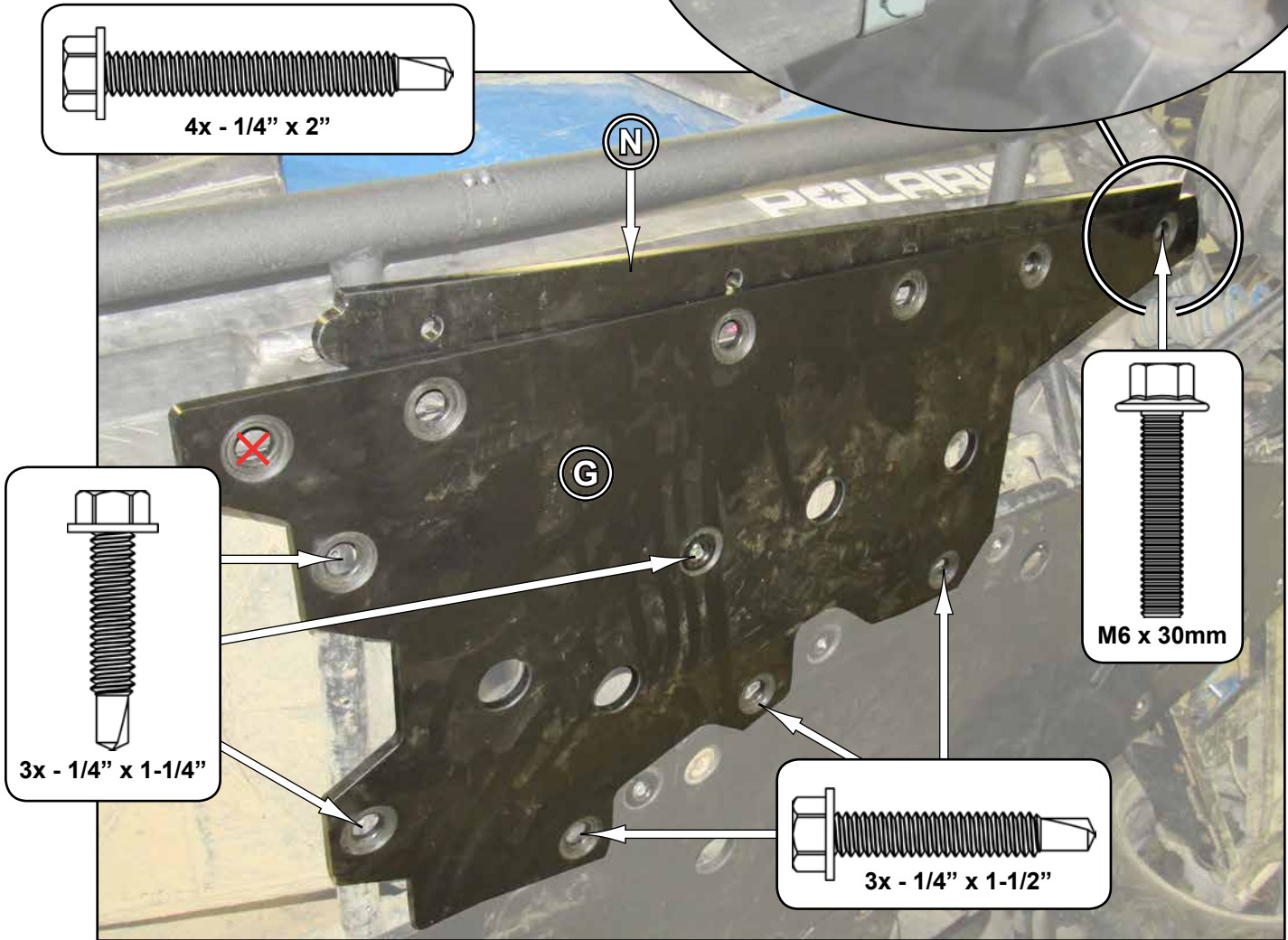


TIGHTEN ALL HARDWARE COMPLETELY

install Center Plate (M) with hardware shown



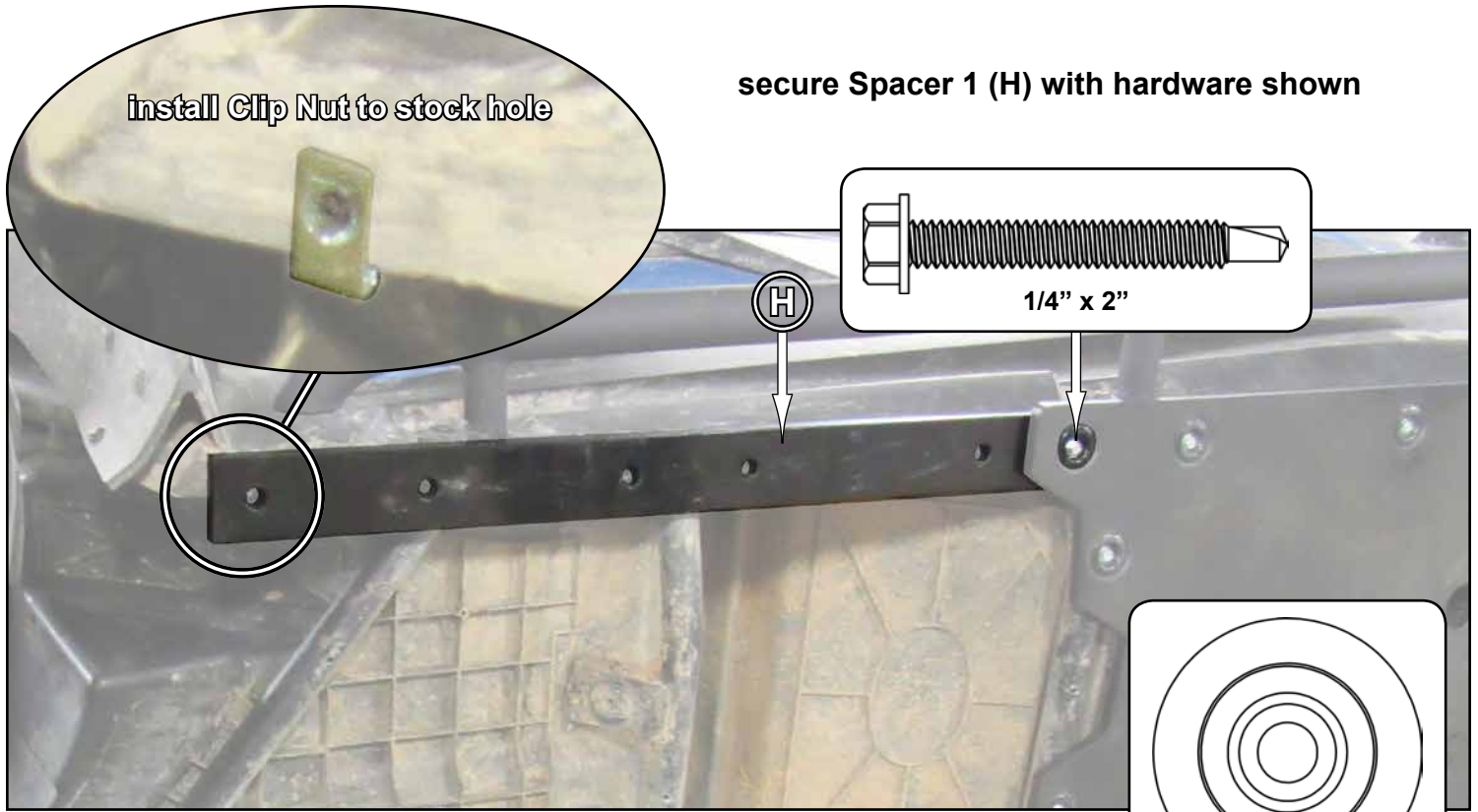
- secure Left Plate 2 (G) with hardware shown
- install Spacer 2 (N) between Left Plate 2 (G) and Frame
- secure with hardware shown



repeat steps for Right Plate 2 (F)

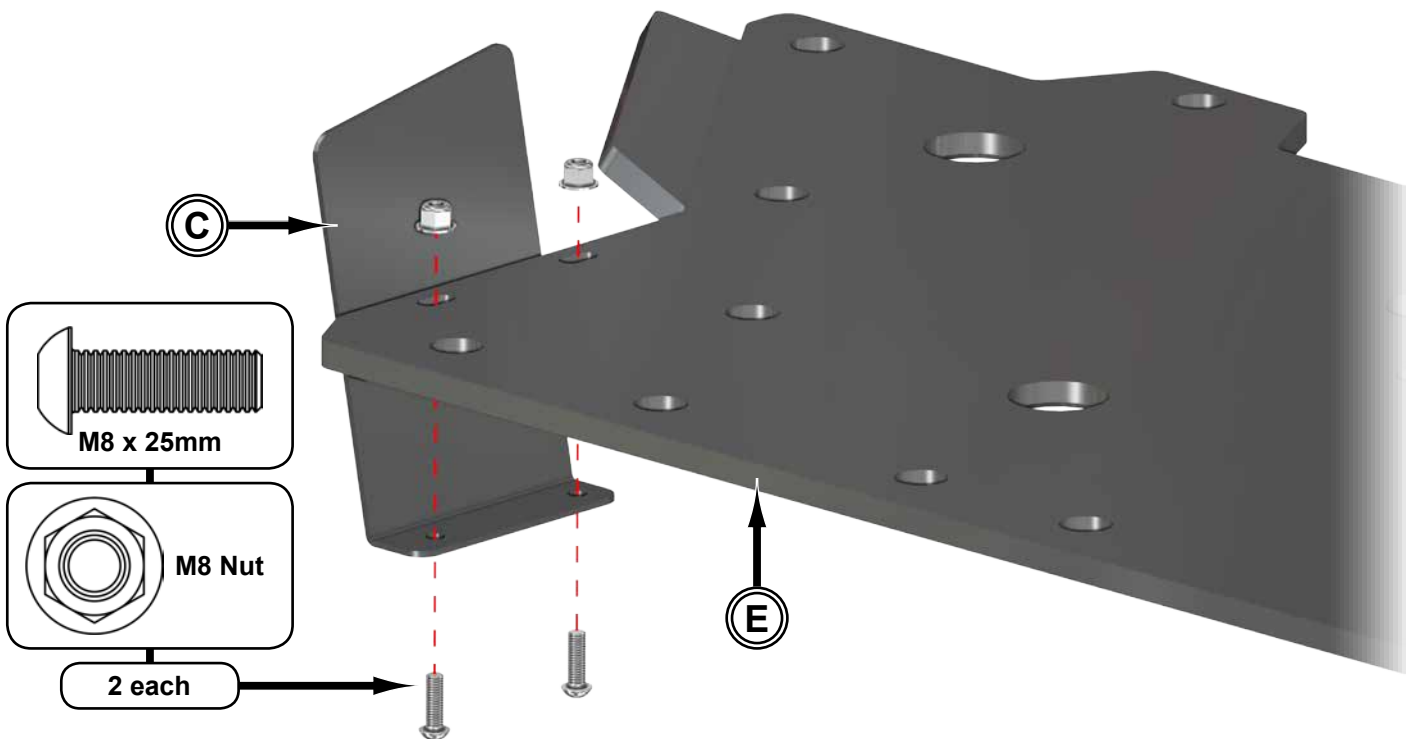
install Clip Nut to stock hole

secure Spacer 1 (H) with hardware shown



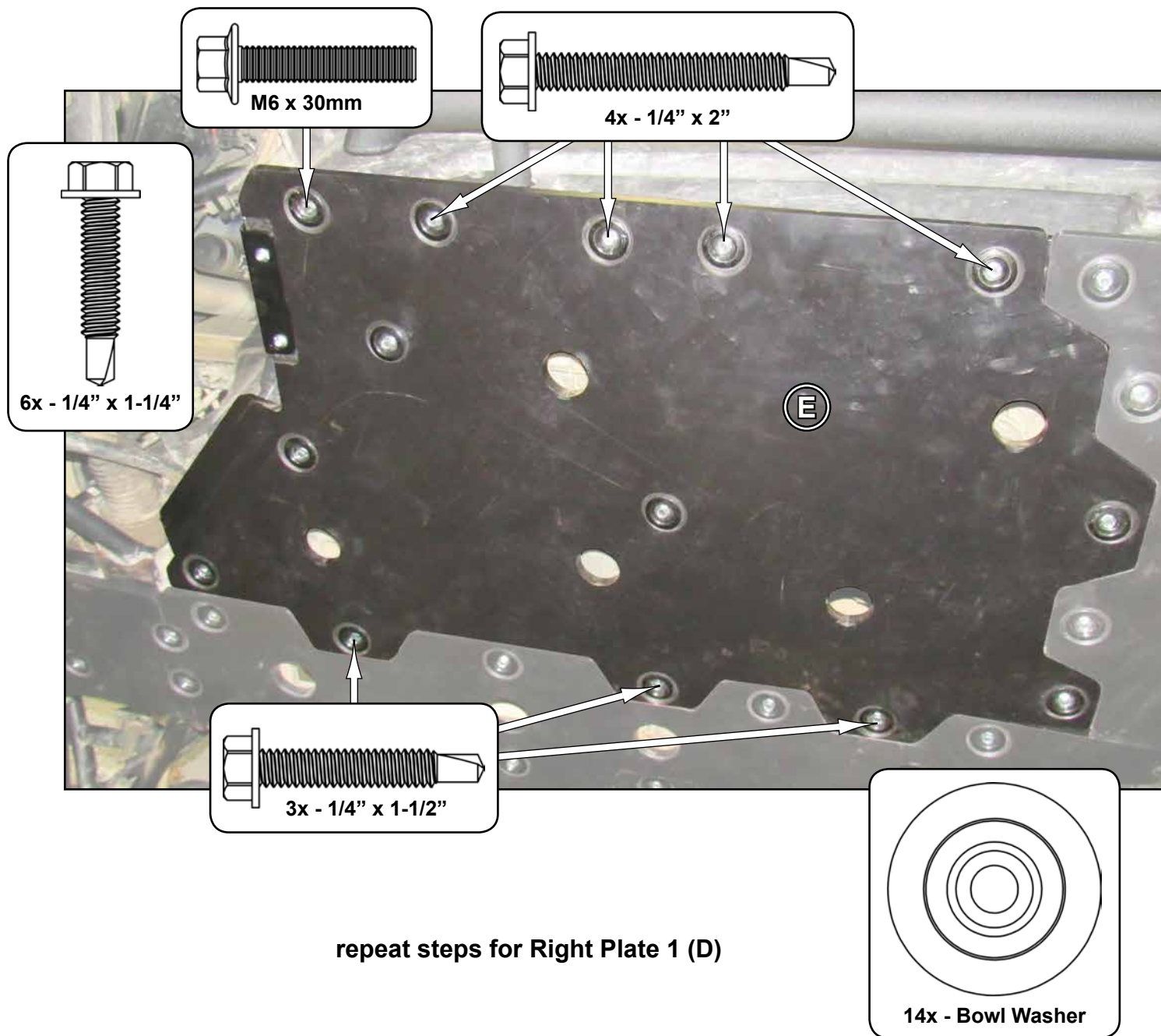
repeat steps for opposite Spacer 1 (H)

install Left Splash Guard (C) to Left Plate 1 (E) with hardware shown



repeat steps for Right Splash Guard (B)

secure Left Plate 1 (E) with hardware shown



TIGHTEN ALL HARDWARE COMPLETELY