

BOSS[®]
AUDIO SYSTEMS

 **Bluetooth**[®]

FULLY
MARINIZED

MGV550B USER'S MANUAL
QUICK INSTALLATION GUIDE
BLUETOOTH[®] | (AUDIO STREAMING)
MARINE GAUGE DIGITAL MEDIA AM/FM RECEIVER
FEATURING BUILT-IN AMPLIFIER

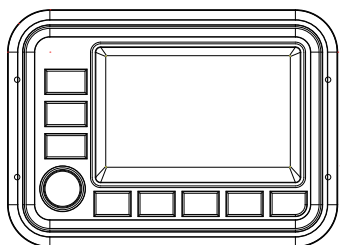


Thank you for purchasing this

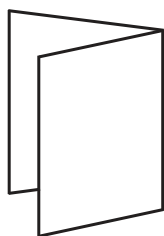


***MGV550B Bluetooth Marine Digital Media
AM/FM Receiver***

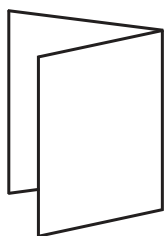
Please read through these instructions carefully so you will know how to operate your model properly. After you have finished reading the instructions, keep this document in a safe place for future reference.



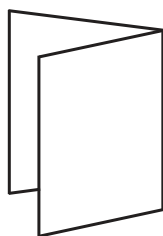
Machine Screws
(4pcs)



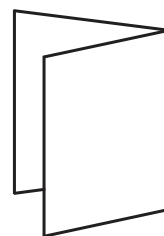
User Manual



Warranty Card



Facebook Card



Thank You Card

INFORMATION TO THE USER



The Bluetooth® word mark and logos are registered trademarks owned by Bluetooth SIG, Inc. and any use of such marks is under license. Other trademarks and trade names are those of their respective owners.

FCC COMPLIANCE STATEMENT

This device complies with part 15 of the FCC Rules. Operation is subject to the following two conditions:

- (1) this device may not cause interference, and
- (2) this device must accept any interference, including interference that may cause undesired operation of this device.

This transmitter must not be co-located or operated in conjunction with any other antenna or transmitter. The Bluetooth antenna cannot be removed (or replaced) by user. This equipment complies with FCC/ IC radiation exposure limits set forth for an uncontrolled environment and meets the FCC radio frequency (RF) Exposure Guidelines and RSS-102 of the IC radio frequency (RF) Exposure rules. This equipment has very low levels of RF energy that it deemed to comply without maximum permissive exposure evaluation (MPE). But it is desirable that it should be installed and operated keeping the radiator at least 20 cm or more away from person's body (excluding extremities: hands, wrists, feet and ankles). Alteration or modifications carried out without appropriate authorization may invalidate the user's right to operate the equipment.

NOTE: This equipment has been tested and found to comply with the limits for a Class B digital device, pursuant to Part 15 of the FCC Rules. These limits are designed to provide reasonable protection against harmful interference in a residential installation. This equipment generates, uses and can radiate radio frequency energy and, if not installed and used in accordance with the instructions, may cause harmful interference to radio communications. However, there is no guarantee that interference will not occur in a particular installation. If this equipment does cause harmful interference to radio or television reception, which can be determined by turning the equipment off and on, the user is encouraged to try to correct the interference by one or more of the following measures:

Relocate or reorient the receiving antenna.

Increase the separation between the equipment and receiver.

Connect the equipment into an outlet on a circuit different from that to which the receiver is connected.

Consult the dealer or an experienced radio/TV technician for help.

!! WARNING !!



**ADJUSTMENT OR ALTERATIONS OF THIS DEVICE MAY
RESULT IN HAZARDOUS RADIATION EXPOSURE.**

1

BEFORE YOU START

IMPORTANT SAFETY PRECAUTIONS

BE SURE TO OBSERVE THE FOLLOWING GUIDELINES:

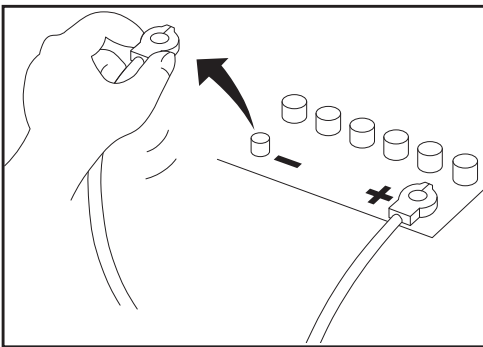
- Do not turn up the volume so high that you can't hear what's around you.
- Use caution or temporarily discontinue use in potentially hazardous situations.
- Do not operate mobile video equipment while driving a motorized vehicle – safe driving and safety consideration of others should always be your highest priority.
- Set your volume control at a low setting, then slowly increase the sound until you can hear it comfortably without distortion, or ear discomfort.
- In the event you should notice smoke, strange noises or odor from this product, or any other abnormal signs, immediately turn off the power and consult your dealer or the nearest authorized **BOSS AUDIO Service Center**. Using this product in this condition may result in permanent damage to the system.

INSTALLATION PRECAUTIONS

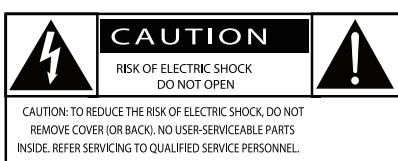
Always consult with a professional installer

- Do not attempt to install or service this product by yourself. Installation or servicing of this product by persons without professional training and experience in electronic equipment and motorized vehicle accessories may be dangerous and could expose you to the risk of electric shock, injury or other hazards
- Refer any repairs to a qualified **BOSS AUDIO SYSTEMS Service Center**

- The *MGV550B* should be wired directly to a vehicles battery
- When wiring directly to the vehicles battery, be sure to disconnect the batteries negative terminal wire before starting any wiring procedures, if extending the main power primary wire, it is suggested that an optional fuse and fuse holder (not included) with minimum rating of **15 Amperes** be in-line with the positive battery terminal
- The ground cable length should be as short as possible, if extending from you battery, be sure to use a proper gauge rating for the length of the run, use only high quality copper primary type wire
- The *MGV550B* has a **IPX6** weather resistant design, it should not be submerged in or under water under any circumstances
- Do not use abrasive cleaning materials on the lens or bezel
- Use only the installation parts provided with the *MGV550B*



To avoid potential shorts in the electrical system, be sure to disconnect the (-) battery cable before installation. Use this unit with a 12-Volt battery and negative grounding only. Failure to do so may result in a fire or malfunction.



When replacing the fuse, be sure to only use a avoid short-circuiting, cover any disconnected leads with insulating tape. It is specially important to insulate any unused wires, which if left

uncovered may cause a short circuit. When connecting other devices to this product, refer to the manual for the product to be connected. The black cable is ground, make sure to connect the ground wire first.

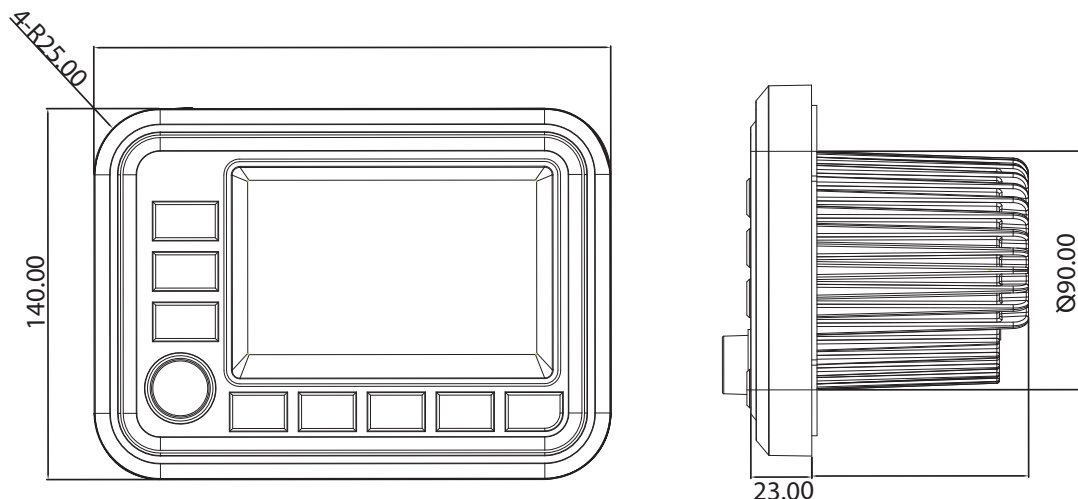
Ensure that the ground cable is properly connected to metal parts of the vehicles body frame or direct to the battery if your vehicle does not have a grounded chassis frame. The ground cable of this units power amp and a second powered system must be connected to the frame separately with different screws. If the screw for the ground wire loosens or falls out, it could result in fire or malfunction.

TROUBLESHOOTING GUIDE

TROUBLE	CAUSE	SOLUTION
Unit will not turn on	The fuse is blown	Check / replace the fuse
	Ignition not engaged	Turn ignition to on position
No sound is heard	Blown speaker	Replace faulty speaker
	Volume is low / muted	Press the volume level up
	Device is paused or muted	Check your devices playing / volume status
Cannot pair Bluetooth	The Bluetooth function of the device is not enabled	Refer to the user manual of the device for how to enable the Bluetooth function
	The MG550B BT memory is full	Follow how to reconnect a device in section E
The audio quality is poor after connection with a Bluetooth enabled device	The Bluetooth reception is poor	Move the device closer to the audio system or remove any obstacle between the device and the systems antenna
Unit has become unresponsive	Power glitch or interference	Disconnect power for 10 seconds to reset
	Low battery power	Charge battery, run the engine to recharge the battery
	Reset the main system	Follow steps in section B

TECHNICAL SUPPORT

1-805-751-4853
www.bossaudio.com/support



SPECIFICATIONS

FM TUNER FREQUENCY RANGE

- USA 87.5~107.9MHz
- Europe 87.5~108MHz
- Asia 87.5~108MHz
- Australia 87.5~108MHz
- Usable Sensitivity: 12dB (S/N=30dB)
- Bands: 3

AM TUNER FREQUENCY RANGE

- USA 530~1710KHz
- Europe 522~1620KHz
- Asia 522~1620KHz
- Australia 522~1620KHz
- Usable Sensitivity: 40dB (S/N=20dB)
- Bands: 2

BLUETOOTH

- BT: 4.1
- BT Range: 33Ft
- BT Profiles: A2DP

USB DRIVE MEDIA SUPPORTED

- MP3
- WMA
- 32GB
- USB Output Voltage: 5VDC @ 1A

INTEGRATED AMPLIFIER

- PEAK Power Rating: 60W / channel
- Channels: 4
- Frequency Response: 20-20kHz

CHASSIS

- Button Backlight Illumination: BLUE LED
- F/R/S RCA Preamp Output: 2VRMS
- RCA Input Impedance: 10k Ω

GENERAL

- Power Source: 12VDC
(12V ~ 16V allowable)
- Maximum Current Consumption: 15A
- Unit Weight: 2.29lbs/1.04kg
- Storage Temperature:
-20 $^{\circ}$ C ~ 60 $^{\circ}$ C
- Operation Temperature:
-20 $^{\circ}$ C ~ 60 $^{\circ}$ C
- Replacement Fuse: 15A

Specifications subject to change without notice

QUICK START GUIDE

2

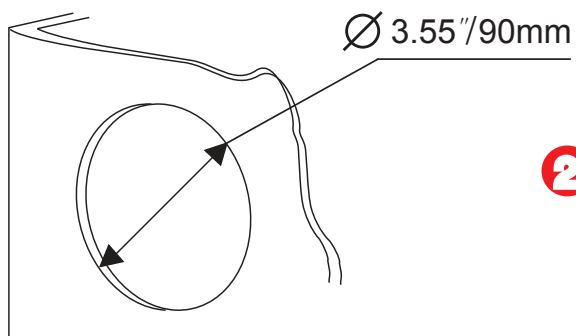
SUGGESTED MOUNTING METHODS



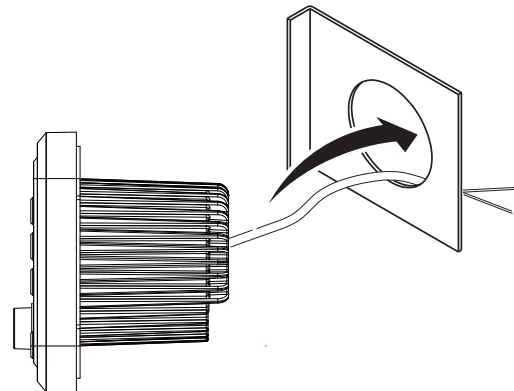
CAUTION!!

Using other mounting methods may void this warranty

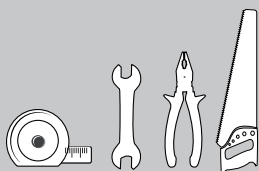
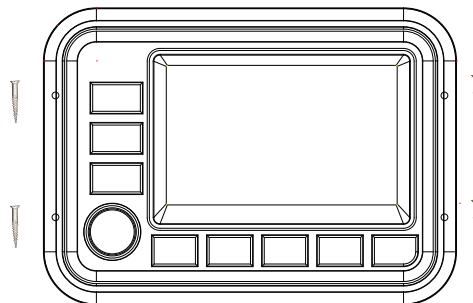
1 Make the mounting hole size as follows



2 Slip the unit through the hole cutout



3 Firmly tighten remaining four screws on the front panel.

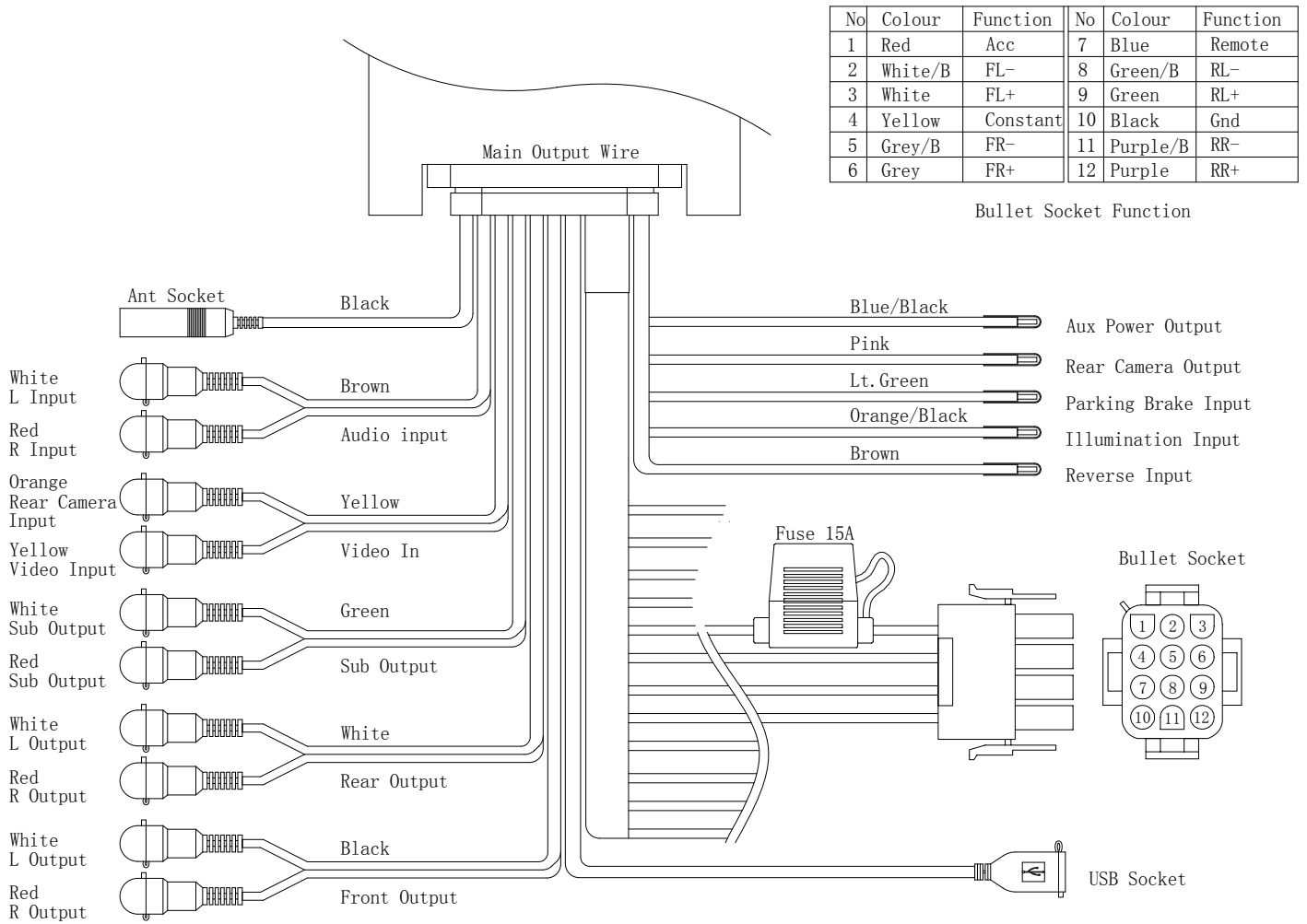


TOOLS NEEDED:

- Measuring Tape / Ruler
- Wrench and/or Pliers
- Hole Saw
- Crimp Tool

3

WIRE DIAGRAM



CAUTION!!
Do not ground or short the speaker leads

A

GETTING STARTED









Tips: To avoid battery exhaustion be sure to run the vehicles engine while using this product. Using this product without running the engine can drain the battery.

All rights reserved. No part of this publication may be reproduced, distributed, or transmitted in any form or by any means, including photocopying, recording, or other electronic or mechanical methods, without the prior written permission of BOSS AUDIO SYSTEMS Inc.

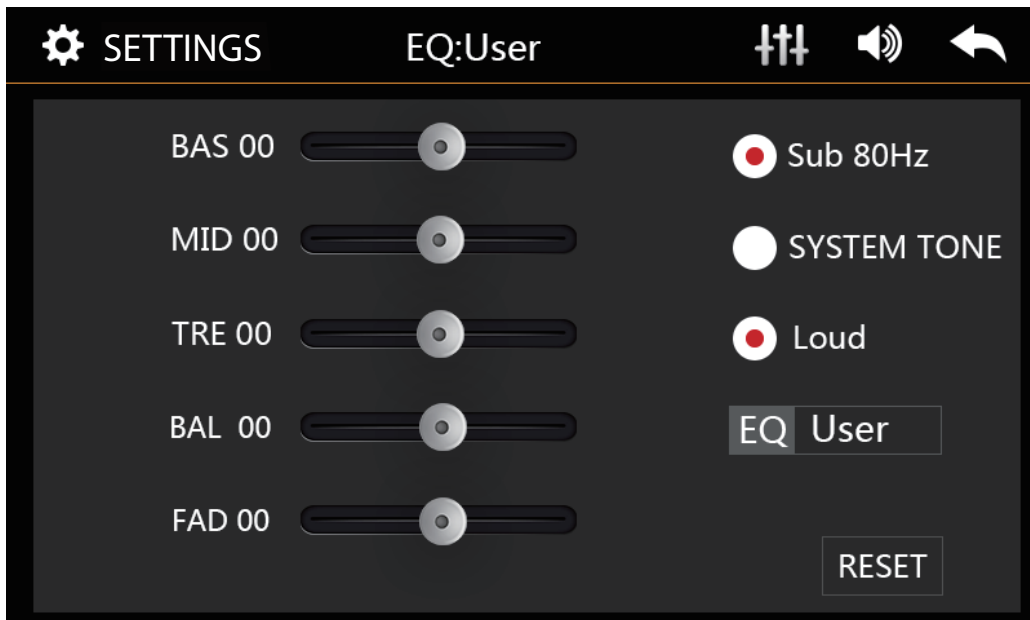
B

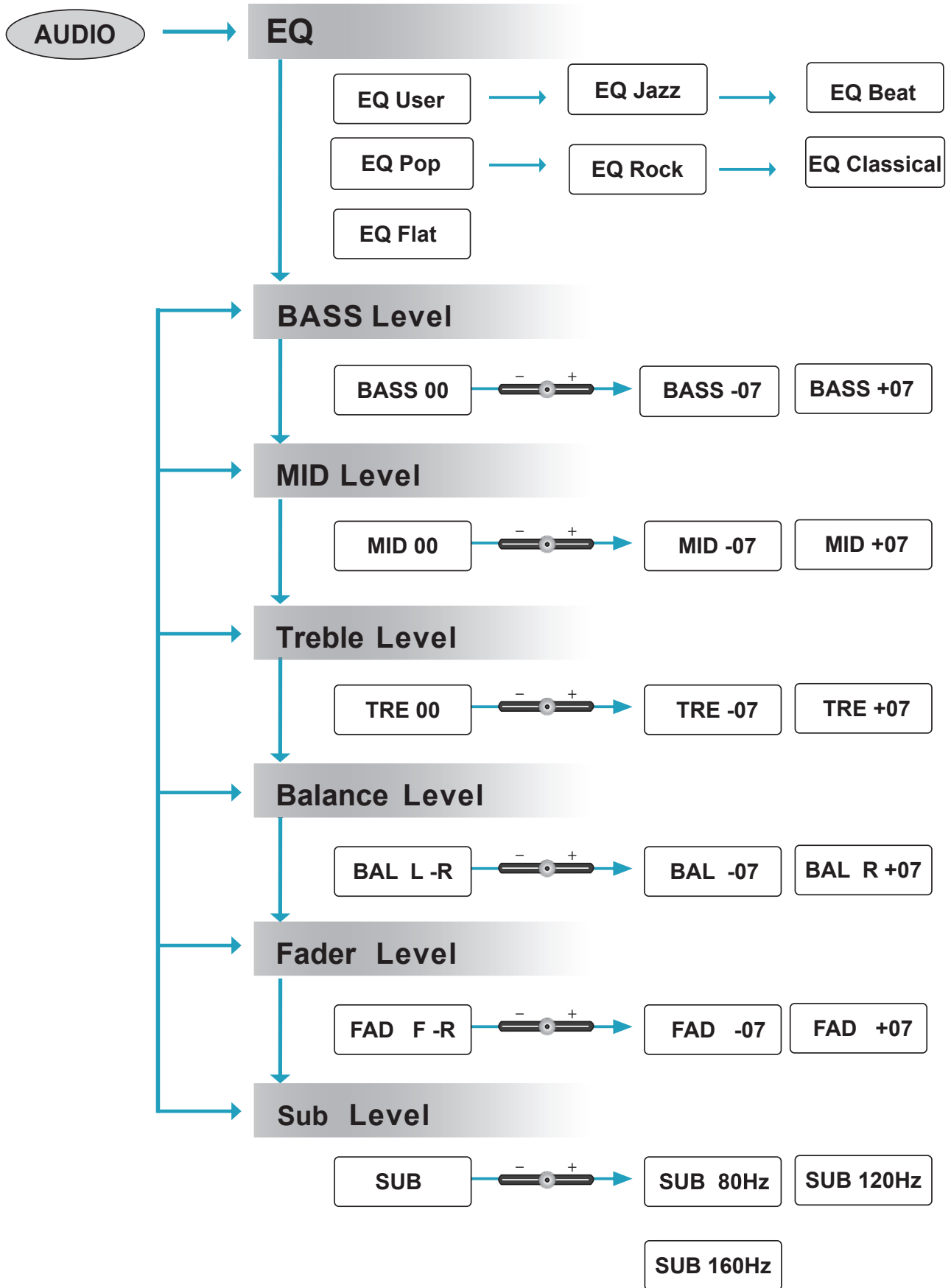
Button Control Functions

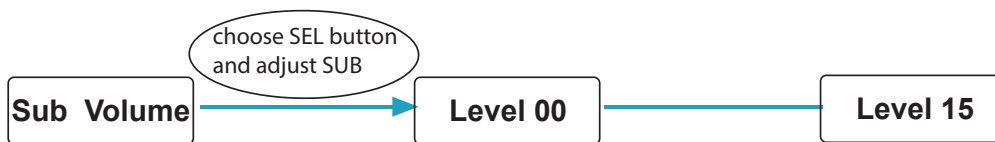
Button	working condition	operation	MGV550B functional description
ROTARY KNOB	Power OFF	short press	POWER ON
	Power ON	long press	POWER OFF
		short press	EQ
	Idle Mode	turn right	Volume increase
turn left		Volume decrease	
MODE	Power ON	short press	Switch function:RADIO-USB-BT-AUX/AV
		long press	no function
	RADIO	short press	Back to main menu
	USB	short press	Back to main menu
	RADIO	short press	Video Input for rear view Camera
	USB	short press	Video Input for rear view Camera
	RADIO	short press	Lighting power supply output
		long press	no function
	RADIO	short press	no function
	USB/BT	short press	play/stop
	RADIO	short press	Automatic up Search Radio
		long press	1.Long press into MANUAL MODE and appear "MANUAL SEEK" (The display is five seconds) Release the button and short press to step forward the station
			2.Exit MANUAL MODE after entering MANUAL MODE for about 5S without adjusting the frequency
	BT	short press	Choose the next song
		long press	no function
	USB	short press	Choose the next song
long press		Fast forward selections	
	RADIO	short press	Automatic down Search Radio
		long press	1.Long press into MANUAL MODE and appear "MANUAL SEEK" (The display is five seconds) Release the button and shortp ress to step back the station
			2.Exit MANUAL MODE after entering MANUAL MODE for about five seconds without adj usting the frequency.
	BT	short press	Choose the last song
		long press	no function
	USB	short press	Choose the last song
long press		Fast backward selections	

C

AUDIO and SYSTEM SETUP







System Tone ON/OFF

Loud ON/OFF

D

RADIO OPERATION

- 1) Press the MODE button to select RADIO
- 2) Press MUTE to MUTE, press again to UNMUTE
- 3) To advance stations press ►►
- 4) To skip previous stations press ◀◀ PRESET button to recall PRESETS 1 ~ 6
- 5) Press and hold the desired PRESET to save station

E

BLUETOOTH OPERATION

PAIRING & DISCOVERING A NEW BLUETOOTH CONNECTION

Note: The mobile device must be within 33ft (10m) of the **MGV550B** for Bluetooth to function properly.

- 1) Press the MODE button to access Bluetooth Streaming.

ANDROID users:

- a. Go into the Settings Menu of your ANDROID device
- b. Enter the Bluetooth Menu and press SCAN
- c. "Boss Audio MGV550B" will now be display under AVAILABLE DEVICES
- d. If prompted, enter passcode: "0000"

iOS users:

- a. Go into the Settings Menu of your iOS device
- b. Enter the Bluetooth Menu
- c. "Boss Audio MGV550B" will now be displayed
- d. If prompted, enter passcode: "0000"

- 2) If the MGV550B is not seen, repeat the above steps to refresh the "Device List"
- 3) When the BT connection is successful you will see the BT logo light up on the he MGV550B display, you are now ready to stream music from your devices favorite media player to the MGV550B

RECONNECTION

- 1) Power on the MGV550B and your last paired device Bluetooth
- 2) The unit will now automatically be reconnected

- 3) If your device was previously paired with the MGV550B, but it wasn't the last paired device: a. Ensure no other devices are currently paired
- 4) If the device is out of range from the MGV550B, it will disconnect automatically

F

USB OPERATION

- 1) Press the MODE button to select BT AUDIO
- 2) Press ►/|| to start PLAY, press again to PAUSE
- 3) To skip songs or advance tracks press ►►
- 4) To select the previous track press the button ◀◀

G

USB OPERATION

- 1) Press the MODE button to select USB
- 2) Press ►/|| to start PLAY, press again to PAUSE
- 3) To skip songs or advance tracks press ►►
- 4) To select the previous track press ◀◀

H

AUX-INPUT

- 1) Press the MODE button to select AUX IN

I

Accessory

- 1) The star button can serve two purposes, one press will turn on the aux power. Press again and it will turn off the aux power.
- 2) The other function if the user decides to turn on favorite from the camera menu. press and hold to power on the camera. Press and hold again to turn off camera.

J

Camera

- 1) There are two cameras in the setting, when this button is pressed, it will display the rear camera image until it is pressed again. You can see the condition in the rear when you back a car, ATV, UTV, golf cart.
- 2) Enable is to allow the camera 1 or 2 to be default, when disable, the unit can not allow the camera 2 to be default.

BOSS[®]
AUDIO SYSTEMS



BOSS Audio Systems
3451 Lunar Court • Oxnard, CA 93030
www.bossaudio.com
800-999-1236 US Toll-free
805-751-4853 Customer Service
Tech Support: www.bossaudio.com/support



0619

iPod[®] and iPhone[®] are trademarks of Apple, Inc. registered in the U.S. and other countries.
BOSS Audio Systems is not affiliated with Apple, Inc.

The Bluetooth[®] word mark and logos are registered trademarks owned by Bluetooth SIG, Inc. and any use of such marks by BOSS Audio Systems is under license. Other trademarks and trade names are those of their respective owners.