



Need help with your installation?

 sales@superatv.com
 www.superatv.com

 1-855-743-3427
  8:00am - 8:00pm EST M-Th
 8:00am - 7:00pm EST Friday
 9:00am - 2:00pm EST Saturday

Read instructions and view illustrations before beginning.

Thank You
 For Choosing
SUPERATV.COM[®]

- **Tubeing and Duct lengths are SuperATV recommended. User may install components in other locations. Verify lengths before final installation.**
- **Check behind areas being drilled for interference.**
- **Avoid burns and scalding by working on cool vehicles.**
- **Secure components away from rotating objects.**
- **Do not tighten mounting hardware until all components are in place.**
- **Use manufacturers recommended coolant.**
- **Avoid sharp bends when installing Tubing.**
- **Verify that no leaks are present after installation.**

CUSTOMER NOTIFICATION AND DISCLAIMER LIABILITY

This product is a modification for utility task vehicles and all terrain vehicles. Use this product at your own risk.

Warranty and Liability Limitations. The Buyer hereby assumes all risks associated with the use and/or installation of this product. Buyer waives all liability claims against SuperATV® of any kind or nature, including, but not limited to, liability for penalties, fines, property damage, personal injury or death, to the fullest extent permitted by law. Buyer acknowledges and agrees that SuperATV® is not liable for any direct, indirect, incidental, consequential or special damages, including but not limited to, damage, loss of life, loss of property or equipment, loss of profits or revenue, injury, or claims from any individual or entity arising from the use of this product.

The warranty for this product, if any, may give you ("Buyer") specific legal rights, and Buyer may also have other rights which may vary from state to state. The installation of this product may void or otherwise adversely affect your factory warranty.

Consult your vehicle warranty before using this Product. Under no circumstances will SuperATV® be liable for the voidance of the Buyer's vehicle warranty. Buyer assumes all risk and responsibility if a manufacturer and/or dealer voids the Buyer's vehicle warranty due to use of this Product.

Safety and Laws. Operate your vehicle at all times in a safe manner. You must abide by all local, state, and federal laws, including but not limited to vehicle safety, traffic laws, and ordinances. It is your responsibility to know the laws and how they apply to you. The installation of this product may violate certain local, state, and federal laws. Be advised that laws vary depending on town, city, county, state, etc. Use of this product on public streets, roads, or highways may be in violation law. The Buyer is solely and exclusively legally and personally responsible for any violation of the law by the installation or use of this product. In no case will SuperATV® be held liable if Buyer violates the law or uses the product in an unsafe manner.

The Buyer is responsible to fully understand the capability and limitations of his/her vehicle according to manufacturer specifications, warnings and instructions and agrees to hold SuperATV® harmless from any damage resulting from failure to adhere to such specifications, warnings and/ or instructions. The Buyer is also responsible to obey all applicable federal, state, and local laws when operating his/her vehicle while using this product, and the Buyer agrees to hold SuperATV® harmless from any violation thereof.

Installation. The installation of this product on your vehicle indicates that you have had the opportunity to inquire about applicable local, state, and federal laws and ordinances and that you have read and understand, and accept all of the terms of, this Disclaimer.

SuperATV® shall not be responsible for the proper installation, use, and service of this product. Rather, the Buyer shall be solely responsible for the installation of the product and any damage that may be done to the vehicle or vehicle components as a result of modifications made by the Buyer.





remove Hood



remove Dash and Cover

(remove Windshield if applicable)



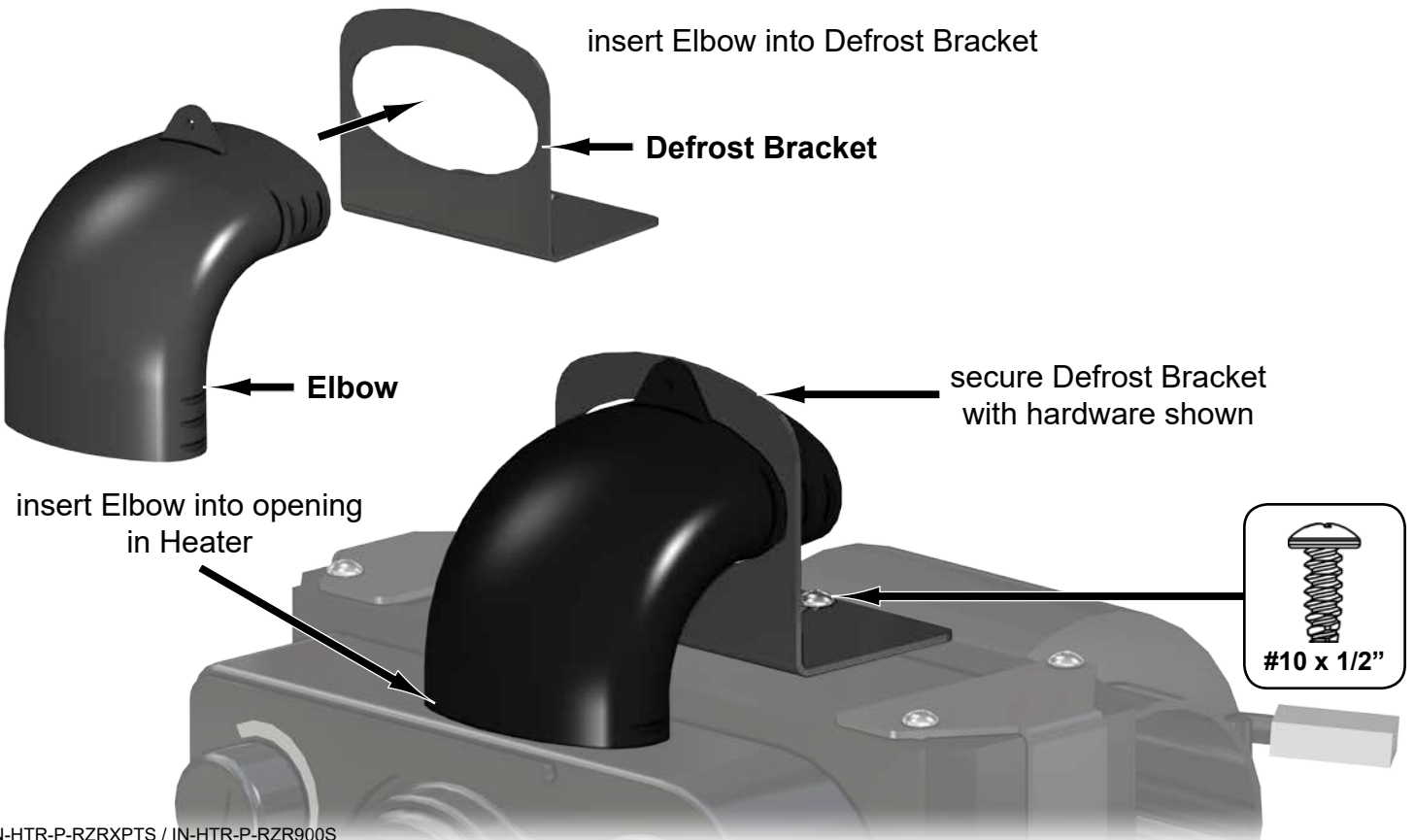
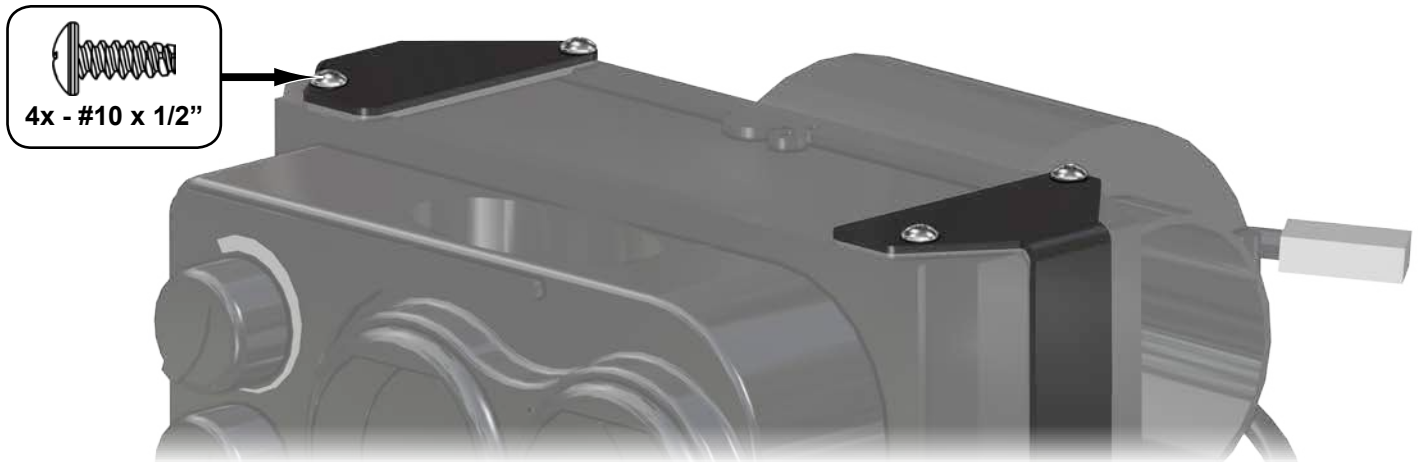


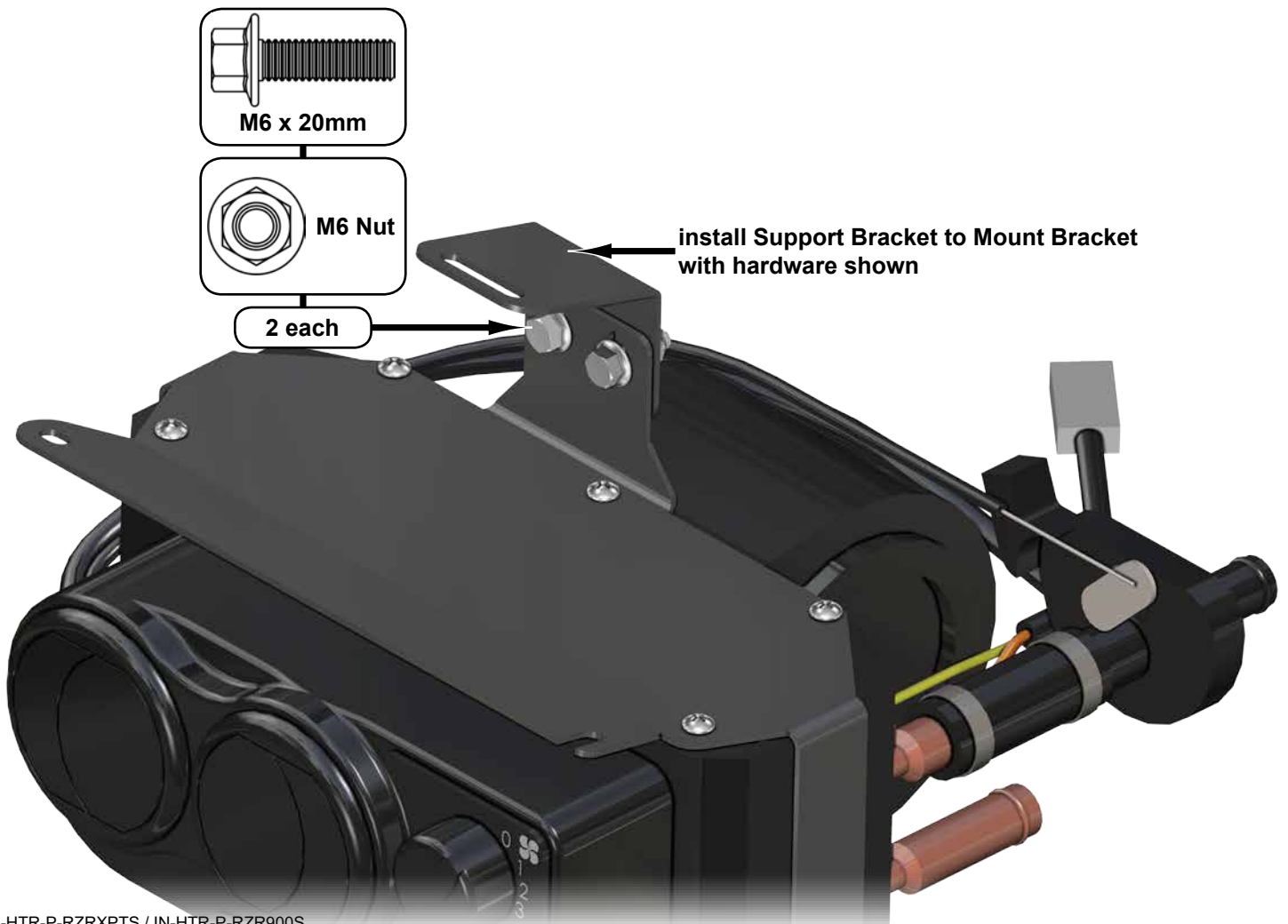
place leg of Mount Bracket between
wire/cable and Heater



rotate Mount Bracket
into place as shown

install Mount Bracket to Heater
with hardware shown



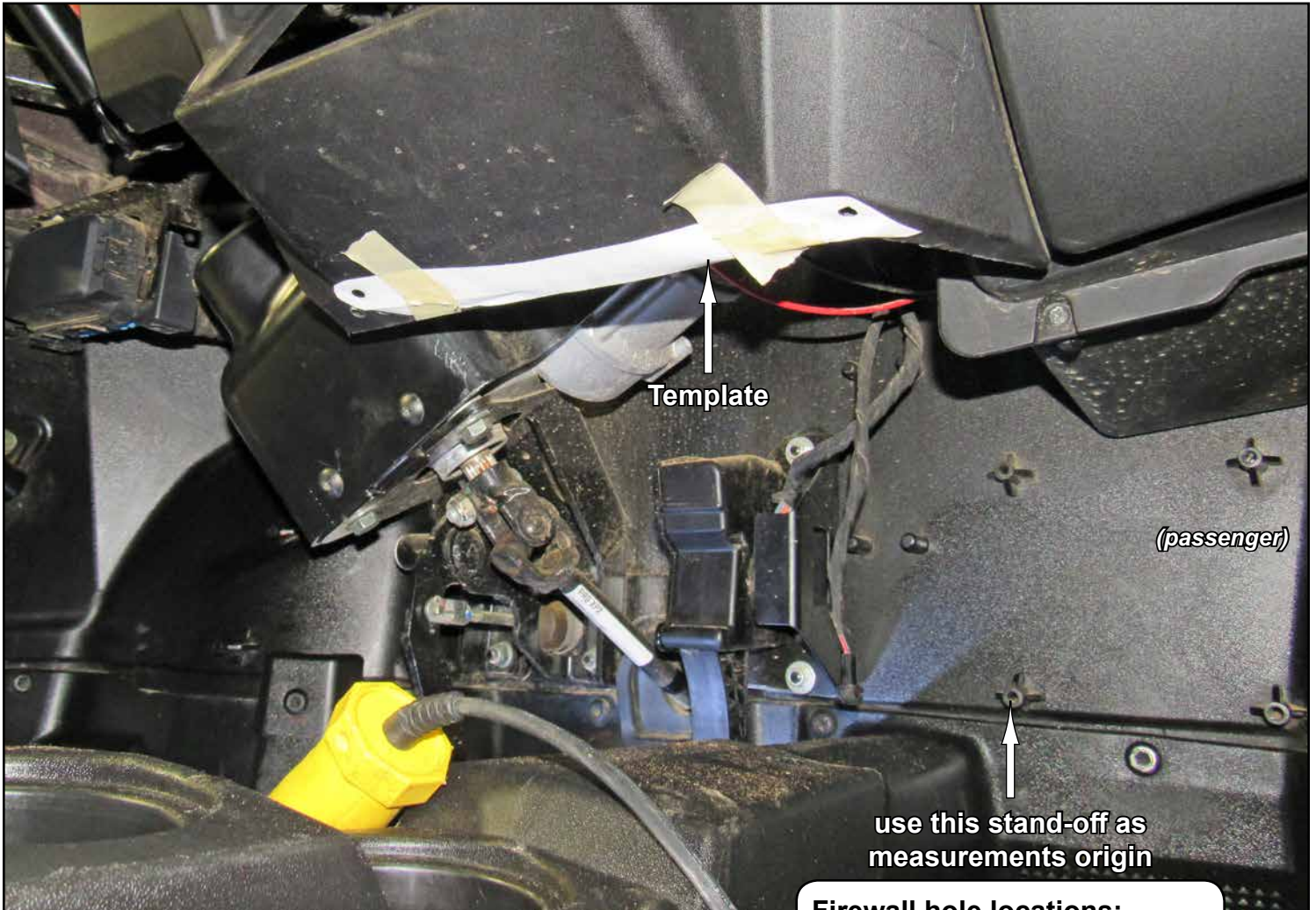


Mount Bracket Template

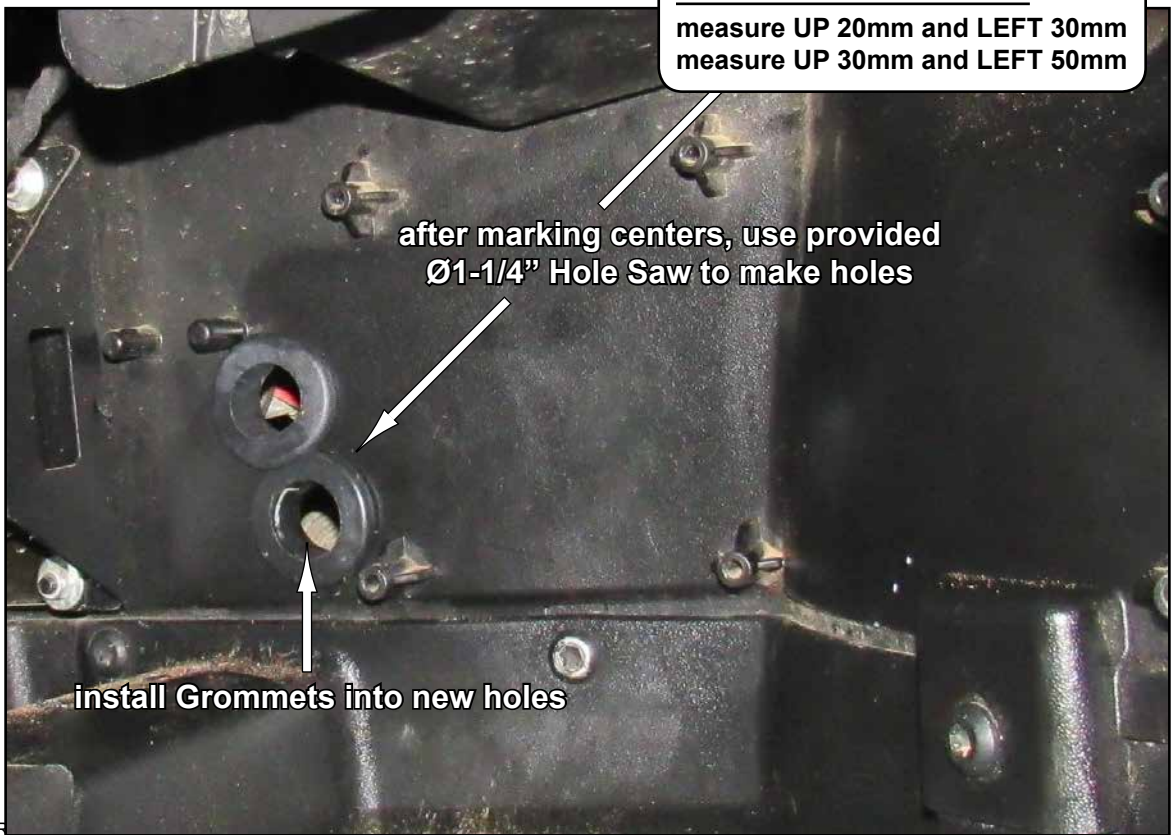


this page intentionally blank

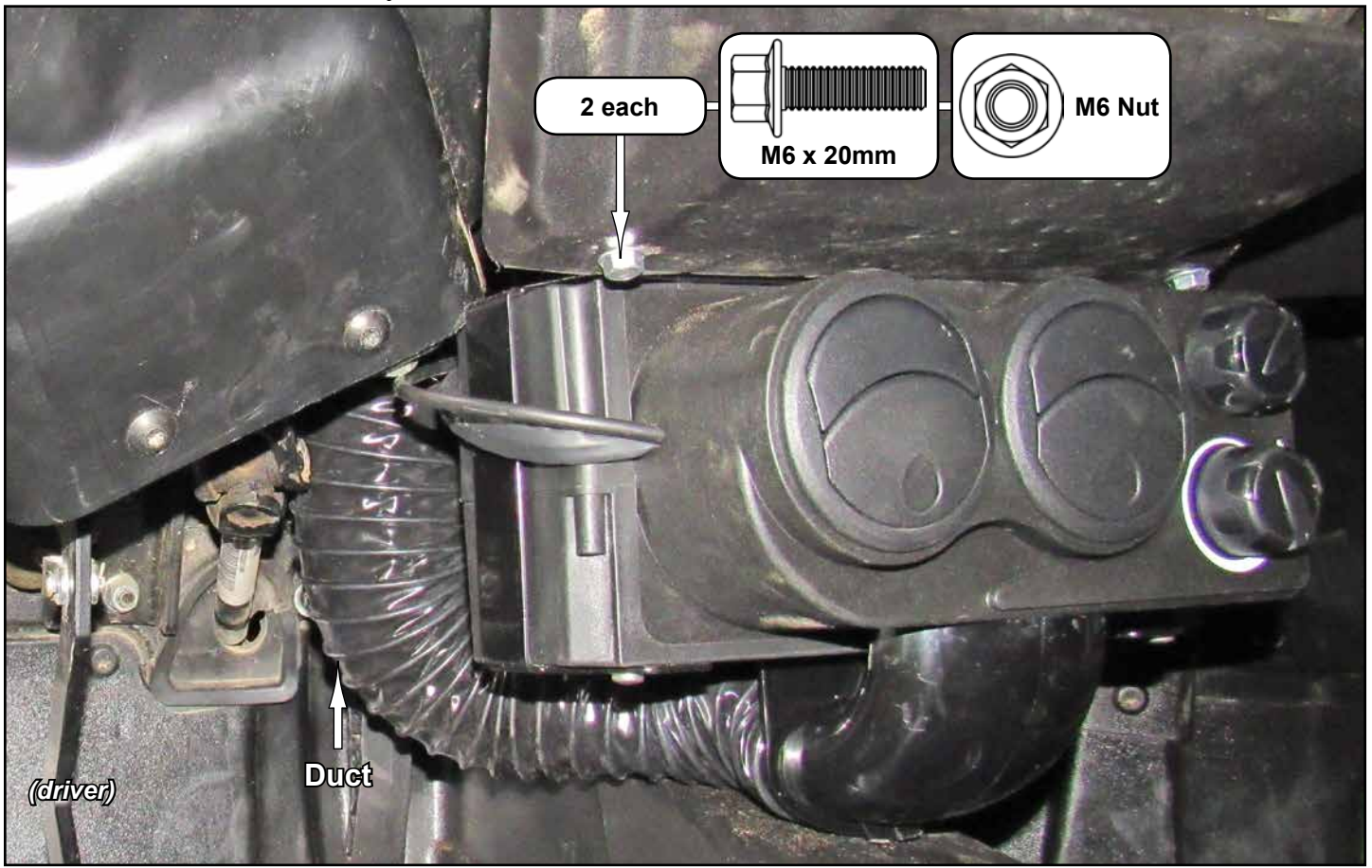
- Place Mount Bracket Template onto Lower Dash and align as shown. Secure with tape.
- Mark centers, remove, and use Ø1/4" Drill Bit to make holes.



Firewall hole locations:
measure UP 20mm and LEFT 30mm
measure UP 30mm and LEFT 50mm



- Secure Mount Bracket to Lower Dash with hardware shown.
- Route Duct into Dash cavity and to Hood area.





- Secure Support Bracket and Glovebox to stock Tab with stock hardware.



- Cut pieces of Duct to approximate dimensions shown and install to Y Fitting; secure with Wire Ties.



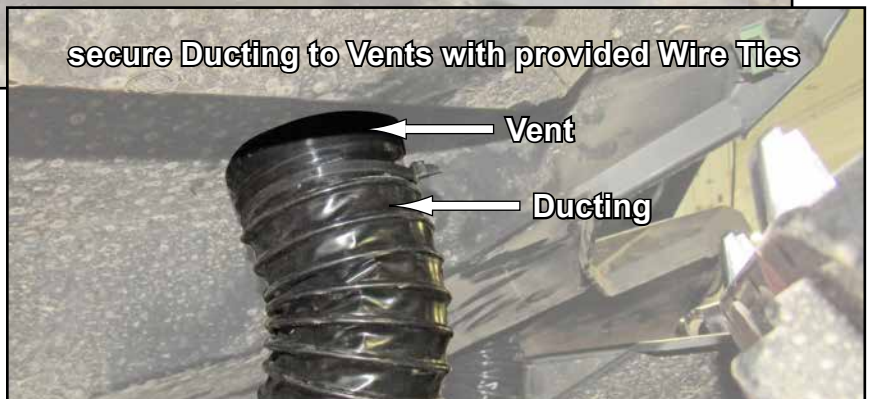
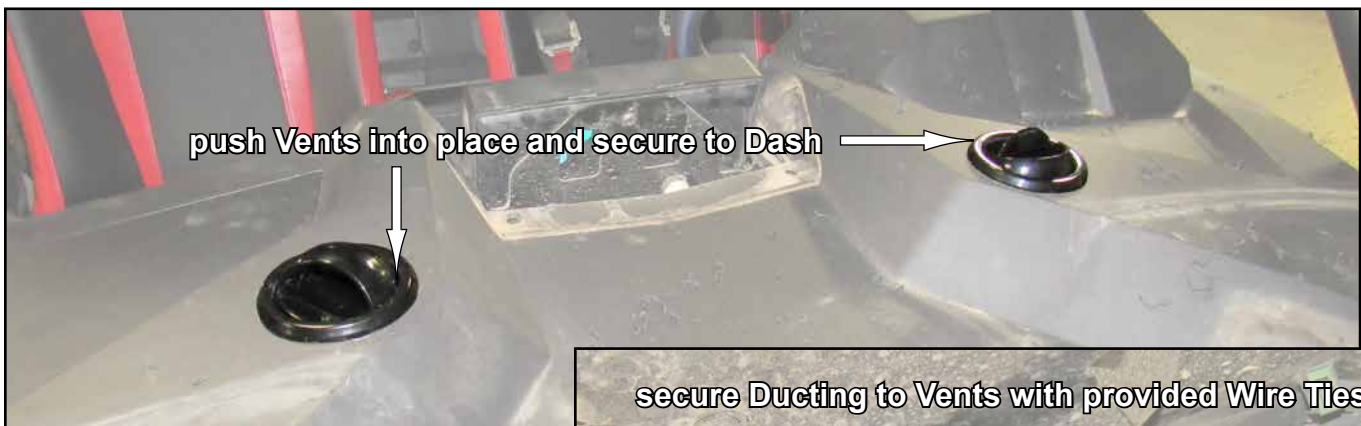
- Installer may locate Vents in a different location. Verify that Ducting will reach before drilling holes.



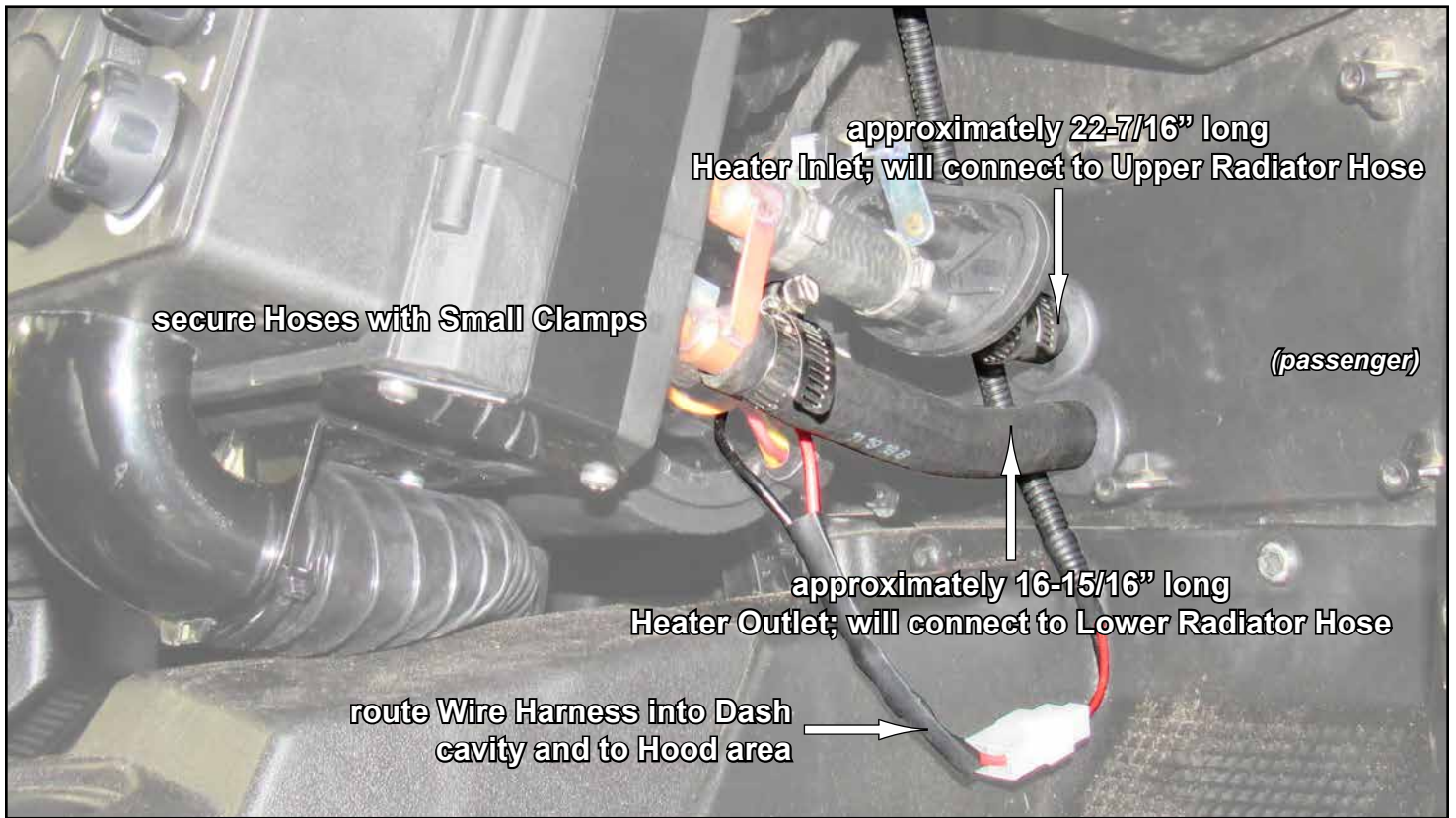
- Mark location for Vent and use provided Ø3" Hole Saw to make hole.



- Repeat steps for opposite Vent.



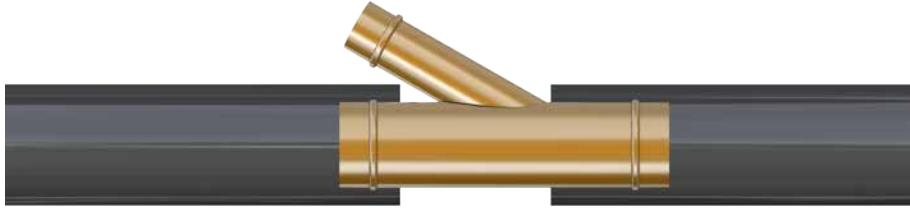
-Install Hoses through Grommets and secure to Heater.



-Reinstall and secure any previously removed stock components.

- Raise front of vehicle and place on jack stands.
- Remove Lower Radiator Hose and drain coolant.

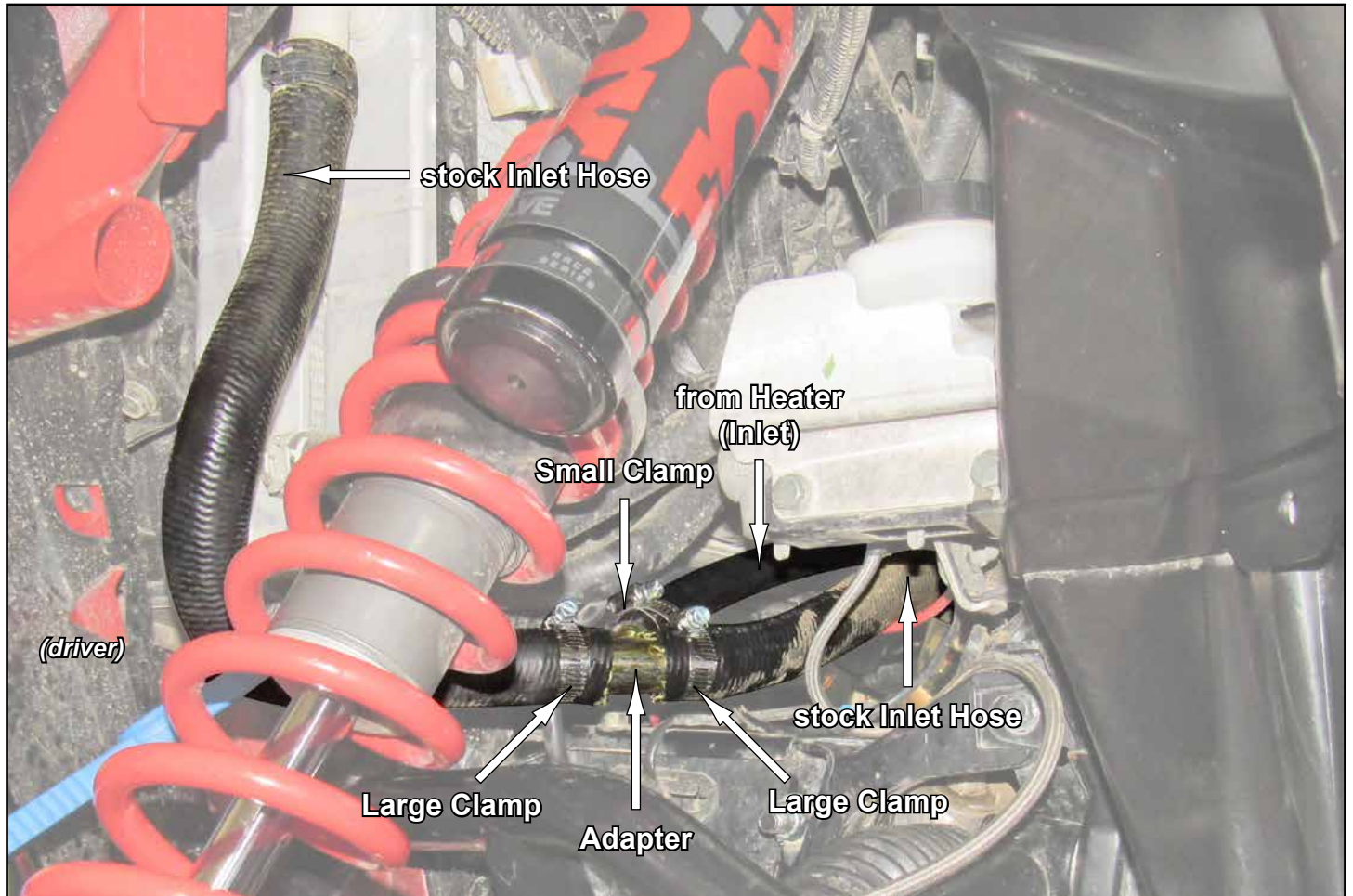
To prevent stock Radiator Hoses from being cut short, use provided Adapters as templates.



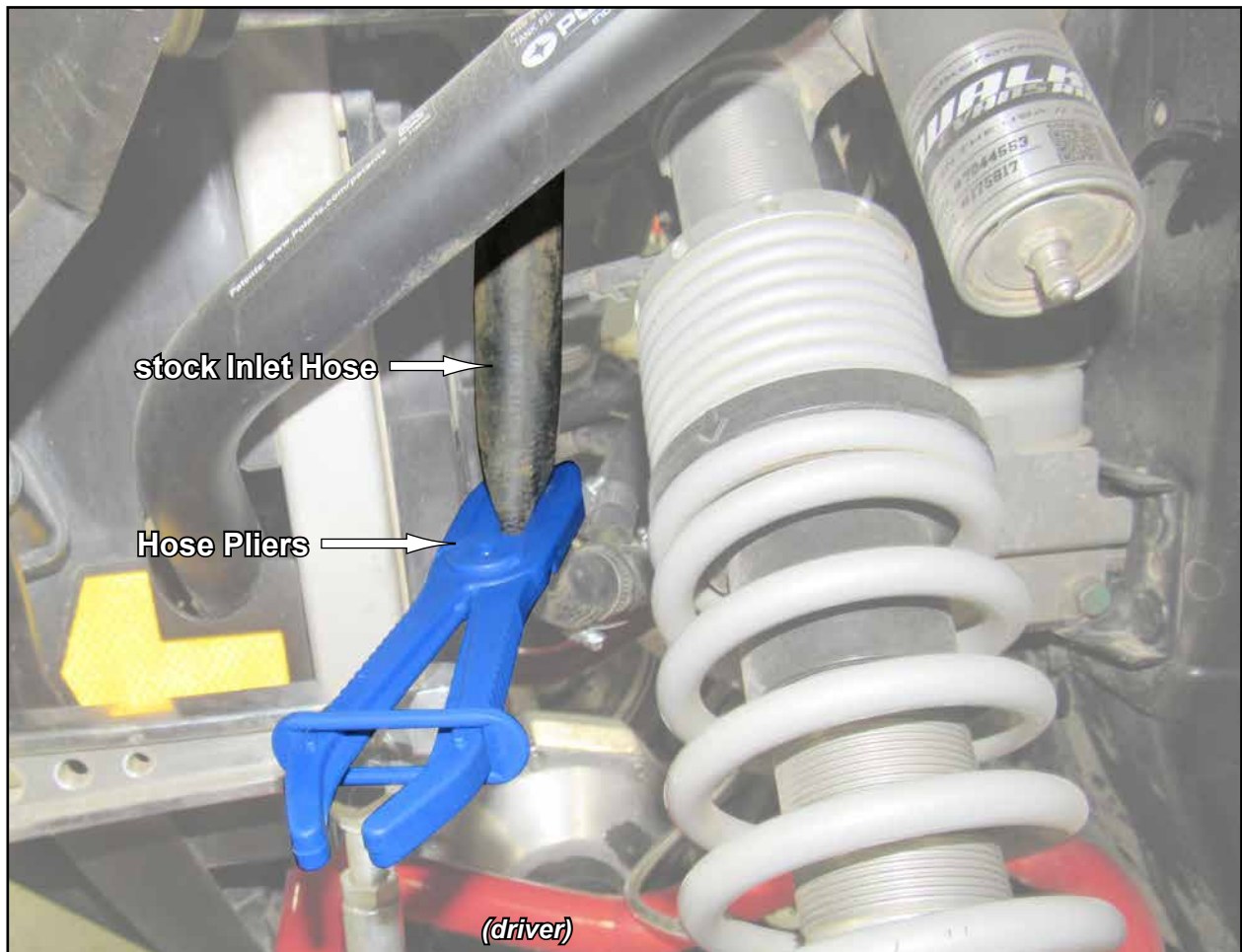
- Mark locations on stock Outlet Hose to be cut.
- Cut and secure to Adapter with provided Large Clamps.
- Connect previously installed Outlet Tube to Adapter and secure with Small Clamp.



- Mark locations on stock Inlet Hose to be cut.
- Cut and install Adapter with provided Large Clamps.
- Connect previously installed Inlet Tube to Adapter and secure with Small Clamp.



- Place machine back on ground.
- Fill coolant level to manufacturers recommended setting.
- Start machine and run at 3000 RPM until engine is hot.
- Use provided Hose Pliers and pinch off Inlet Hose as shown below.



- Remove Hose Pliers after Radiator Fan turns ON.
- After Radiator Fan turns OFF, pinch Inlet Hose again and remove after Radiator Fan turns ON.
- Turn machine off and let engine completely cool; may take several hours.
- Check Coolant Level in Radiator and Reservoir; adjust as needed.
- Start machine and repeat “pinch” steps again.