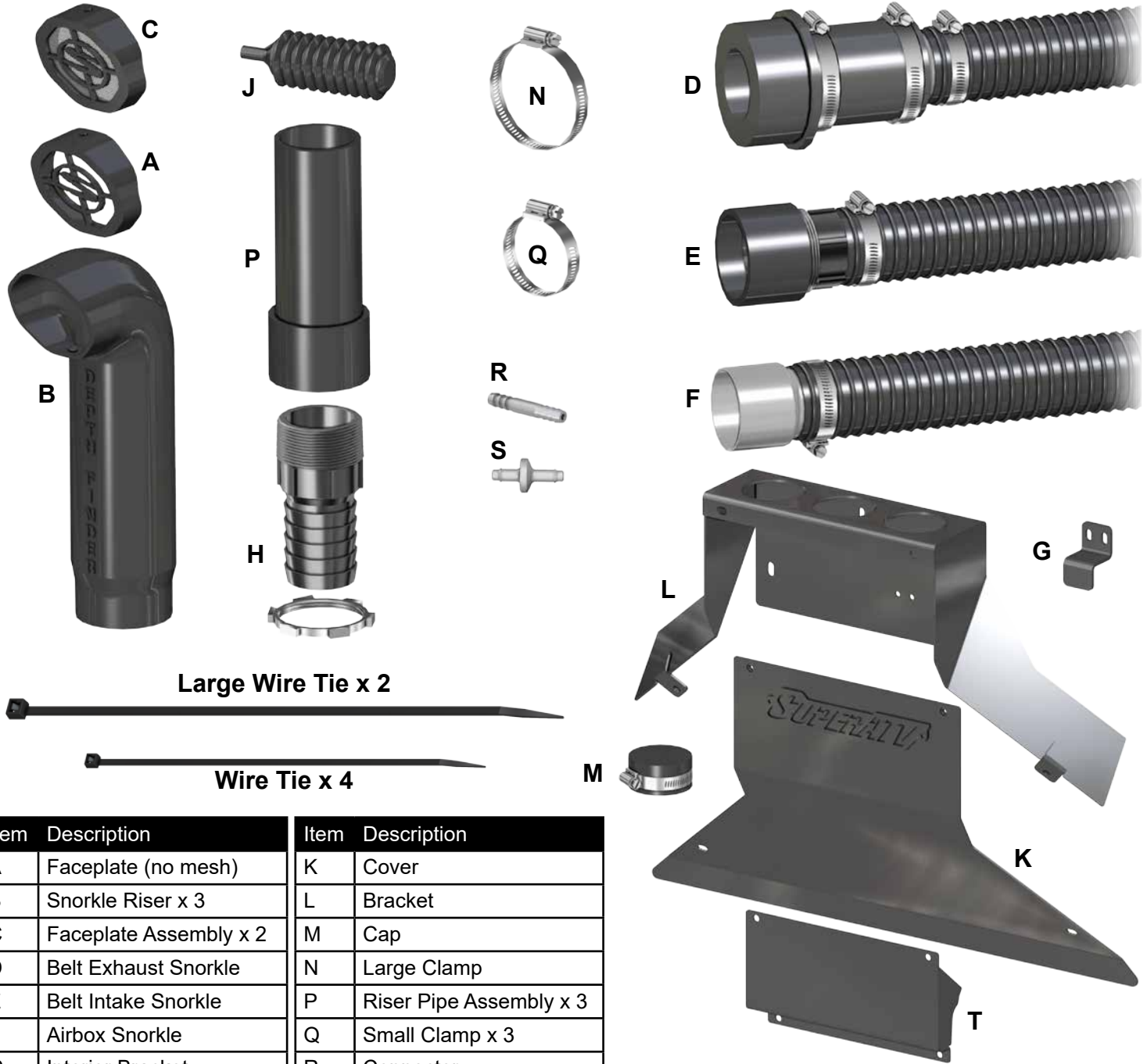


**INSTALLATION INSTRUCTIONS**  
**Snorkel Kit: for Can-Am Defender**



Item	Description	Item	Description
A	Faceplate (no mesh)	K	Cover
B	Snorkle Riser x 3	L	Bracket
C	Faceplate Assembly x 2	M	Cap
D	Belt Exhaust Snorkle	N	Large Clamp
E	Belt Intake Snorkle	P	Riser Pipe Assembly x 3
F	Airbox Snorkle	Q	Small Clamp x 3
G	Interior Bracket	R	Connector
H	Fitting and Locknut x 3	S	One Way Valve x 3
J	Vent Bellow x 2	T	Firewall Cover

**Need help with your installation?**

✉ sales@superatv.com    🌐 www.superatv.com

☎ 1-855-743-3427    🕒 8:00am - 8:00pm EST M-Th  
 8:00am - 7:00pm EST Friday  
 9:00am - 2:00pm EST Saturday

Read instructions and view illustrations before beginning.

Thank You  
 For Choosing  
**SUPERATV**.COM<sup>®</sup>

**Liability Statement**

SuperATV's® products are designed to best fit user's ATV/UTV under stock conditions. Adding, modifying, or fabricating any factory or aftermarket parts will void any warranty provided by SuperATV® and is not recommended. SuperATV's® products could interfere with other aftermarket accessories. If user has aftermarket products on machine, contact SuperATV® to verify that they will work together.

Although SuperATV® has thousands of satisfied customers, user should be aware that installing lift kits, long travel, or suspension kits, tires, etc. will change the ride of machine and may increase maintenance and part wear. Operating any off-road machine while, or after, consuming alcohol and/or drugs increases risk of bodily harm or death. No warranty or representation is made as to this product's ability to protect user from severe injury or death. SuperATV® urges operators and occupants to wear a helmet and appropriate riding gear at all times.

By purchasing and installing SuperATV® products, user agrees that should damages occur, SuperATV® will not be held responsible for loss of time, use, labor fees, replacement parts, or freight charges. SuperATV®, nor any 3rd party, will not be held responsible for any direct, indirect, incidental, special, or consequential damages that result from any product purchased from SuperATV®. The total liability of seller to user for all damages, losses, and causes of action, if any, shall not exceed the total purchase price paid for the product that gave rise to the claim.

SuperATV® will warranty only parts provided by SuperATV®. Any damage or problems with OEM housings, bearings, seals, or other manufacturers' products will not be covered by SuperATV®. SuperATV® parts and products are not warrantied if item was not installed properly, misused, or modified.

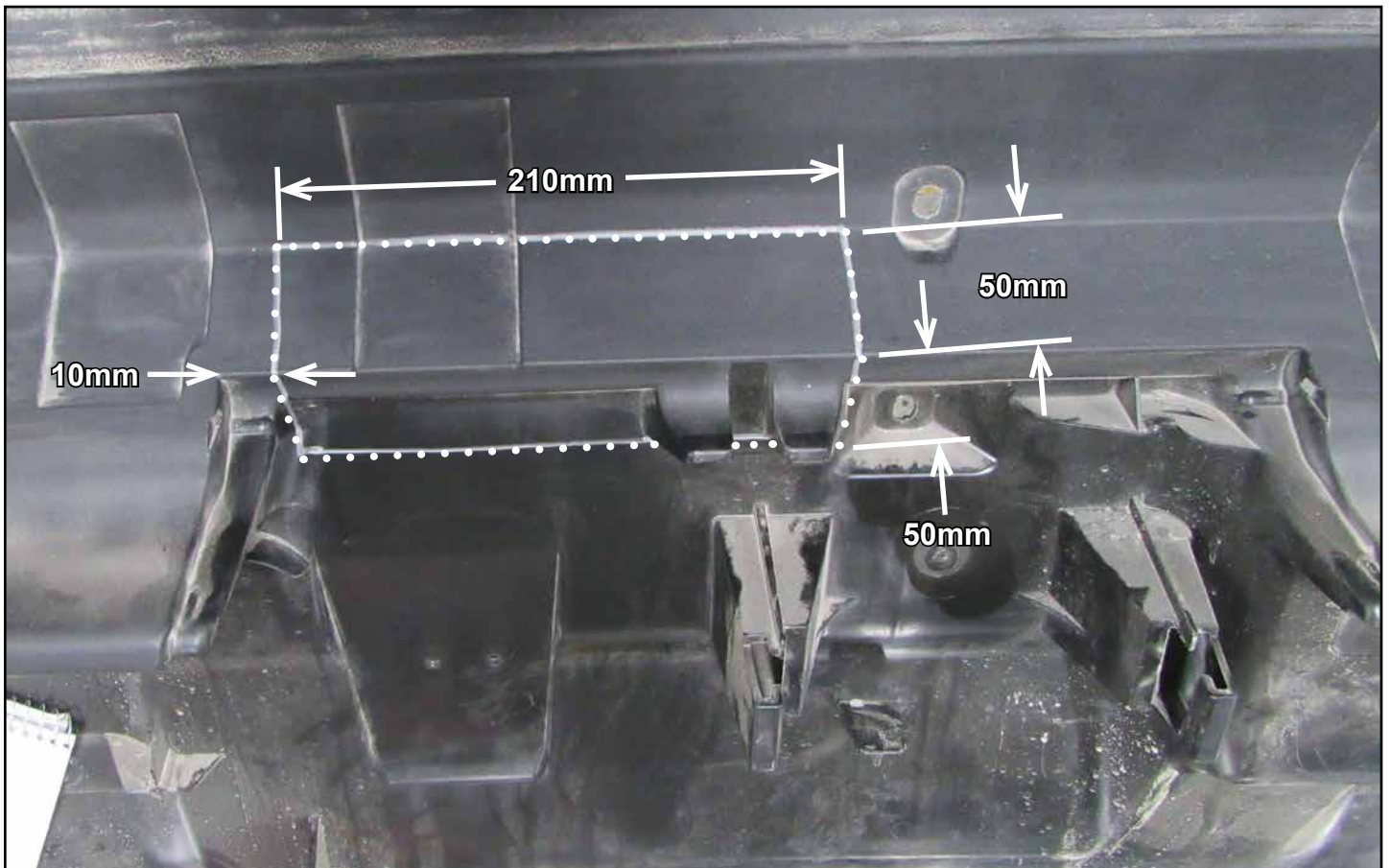
Installing, adding, modifying, or fabricating any factory or aftermarket product to your ATV/UTV may violate certain local, state, and federal laws. Be advised that laws vary depending on town, city, county, state, etc. Use of certain products on public streets, roads, or highways may be in violation law. The Buyer is solely and exclusively legally and personally responsible for any violation of the law by the installation or use of the product. You must abide by all local, state, and federal laws, including but not limited to vehicle safety, traffic laws, and ordinances. It is your responsibility to know the laws and how they apply to you.

The Buyer is responsible to fully understand the capability and limitations of his/her vehicle according to manufacturer specifications, warnings and instructions and agrees to hold SuperATV® harmless from any damage resulting from failure to adhere to such specifications, warnings and/ or instructions. The Buyer is also responsible to obey all applicable federal, state, and local laws and ordinances when operating his/her vehicle while using this product, and the Buyer agrees to hold SuperATV® harmless from any violation thereof.

- a notch must be cut into rear Firewall



- rear Firewall is shown off machine for clarity only; user may cut notch with Firewall in place

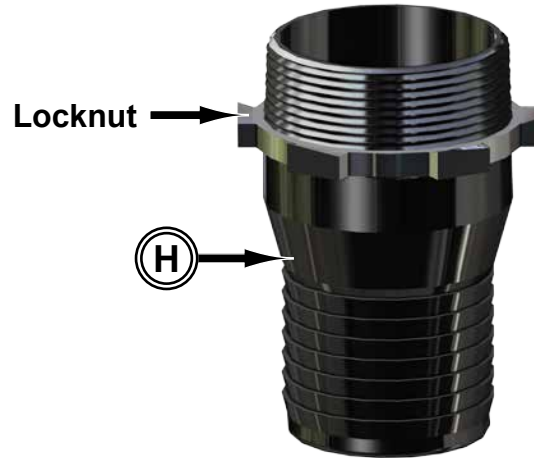


apply black RTV 100% Silicone  
evenly to threads

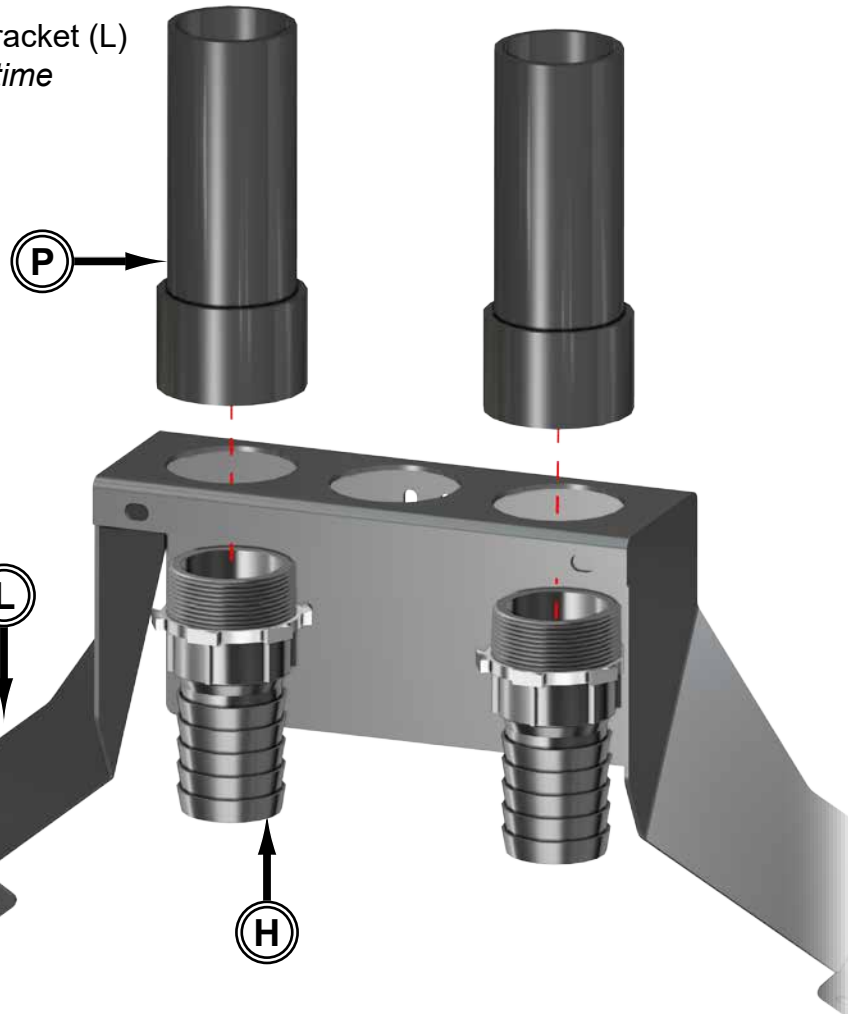


## Riser Pipes

- install Locknut to bottom of threads on Fittings (H)



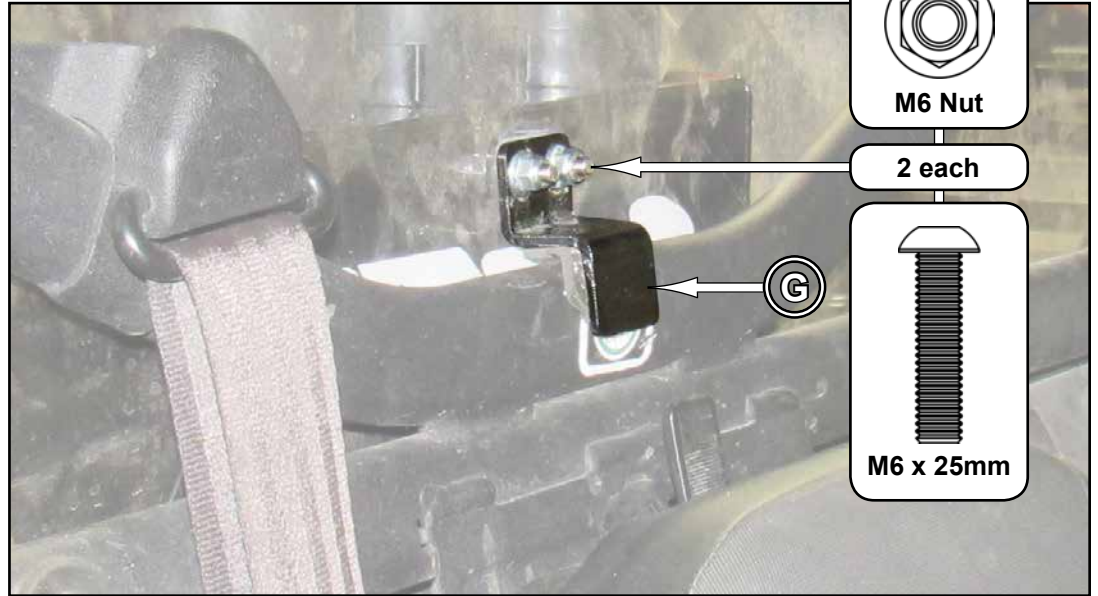
- install Riser Pipes (P) and Fittings (H) to Bracket (L)
- *do not install components to center at this time*
- tighten components completely



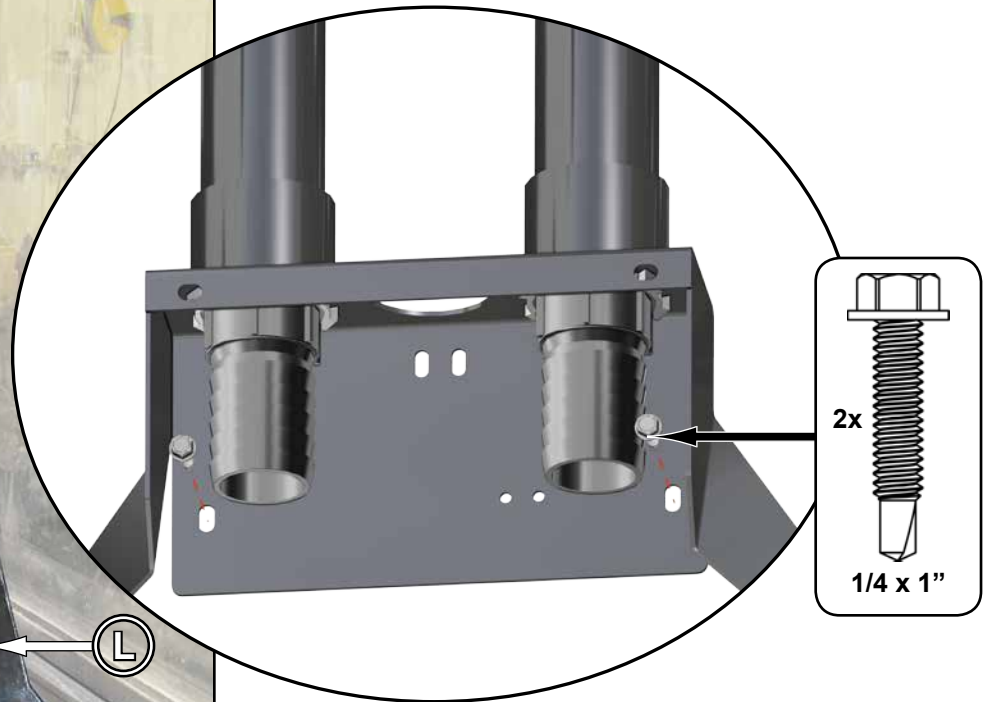
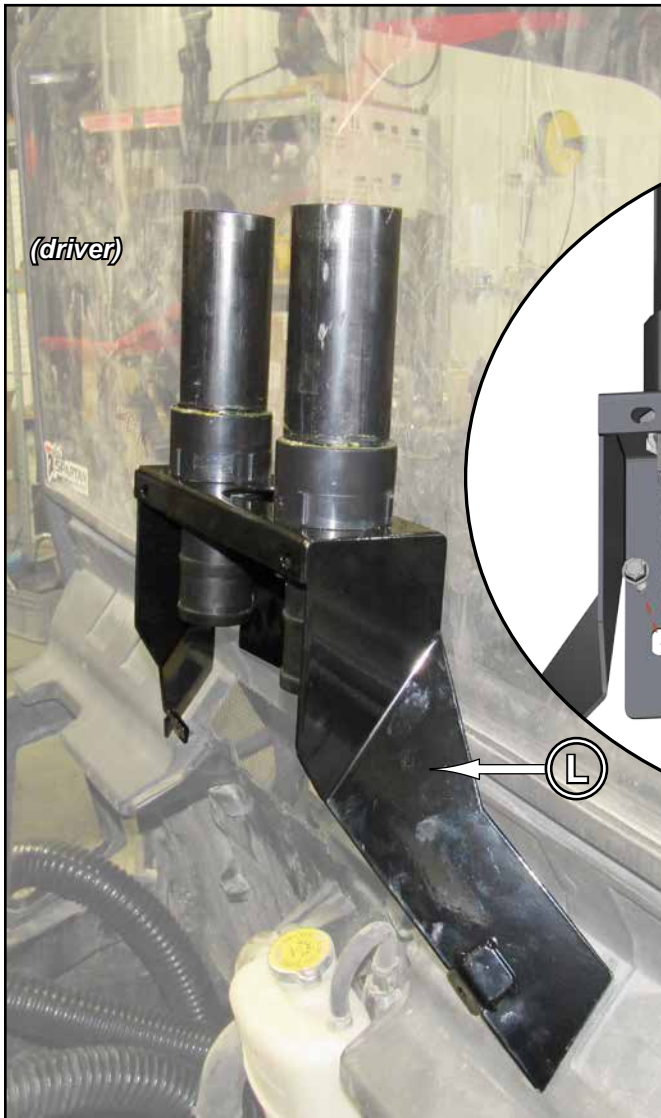
- remove any remaining slack by rotating Locknuts up  
until tight against Bracket (L)

## Bracket Installation

- secure Bracket (L) to frame with Interior Bracket (G) and hardware shown



- secure Bracket (L) to Rear Wall with hardware shown



If no Rear Windshield is present, see following page for Bracket (L) installation.

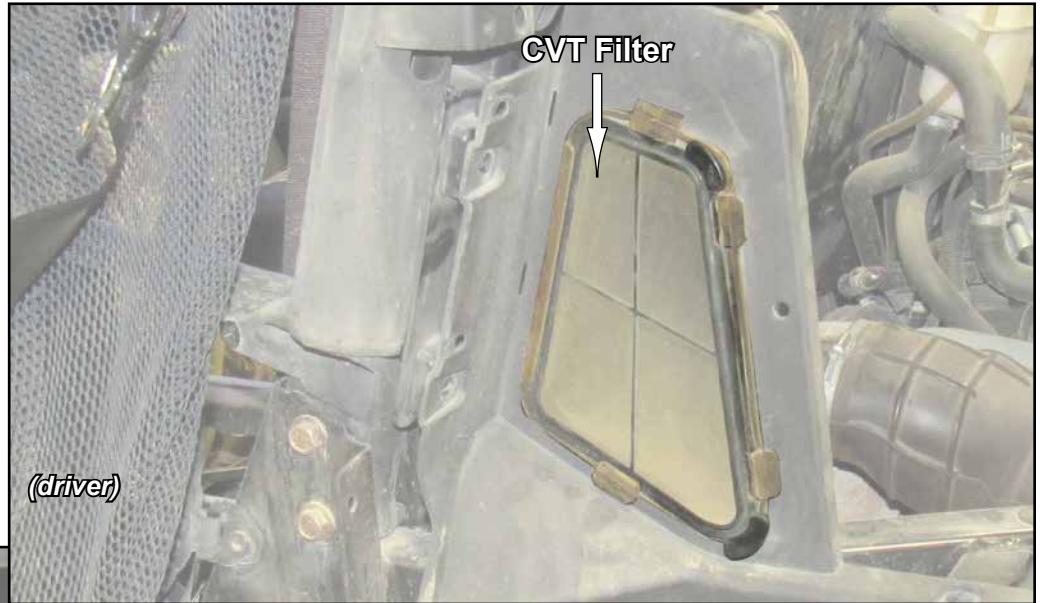
Spacers must be installed between Bracket (L) and Rear Wall if no Rear Windshield is present.



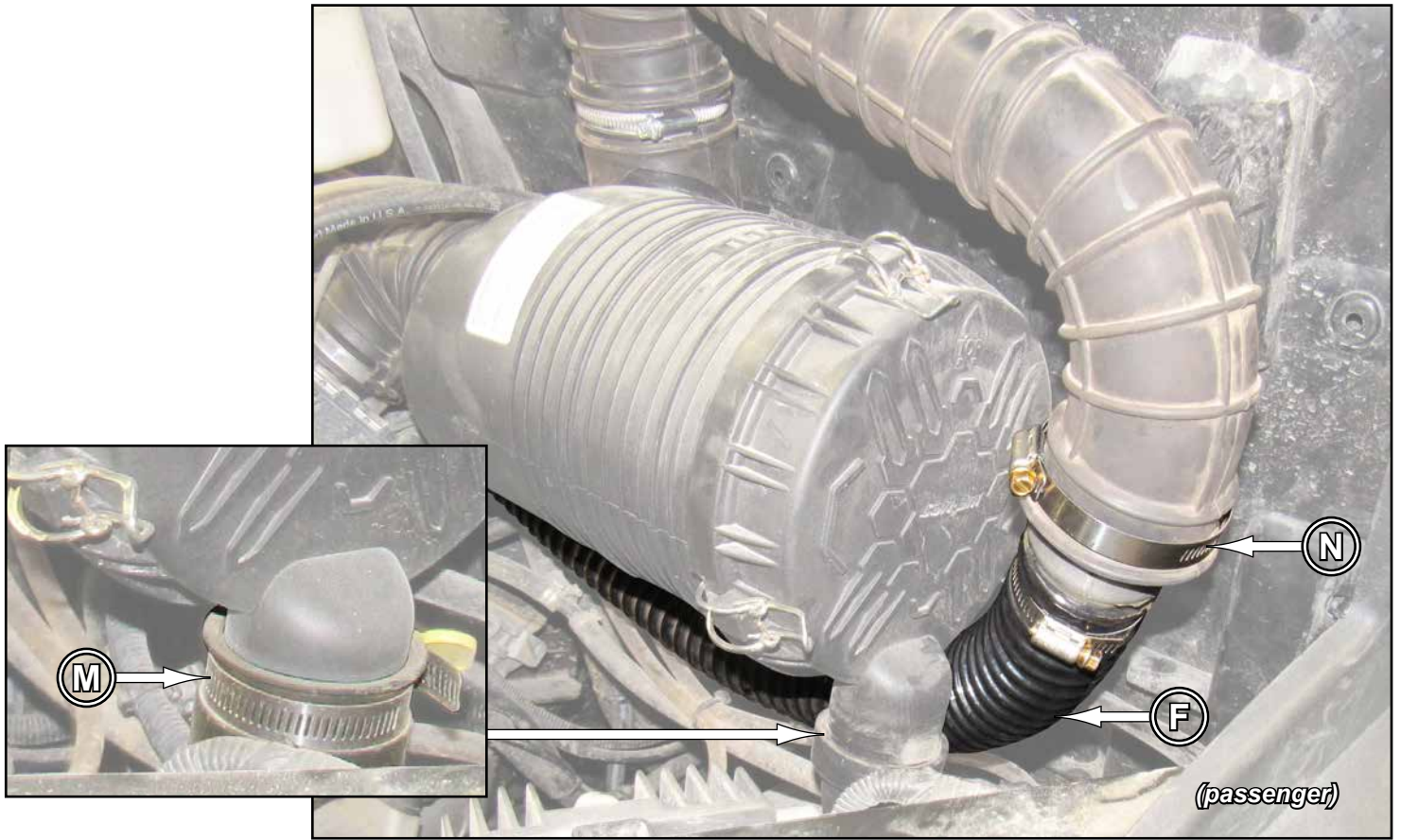
- install final Riser Pipe (P) and Fitting (H) to Bracket (L)
- tighten components completely



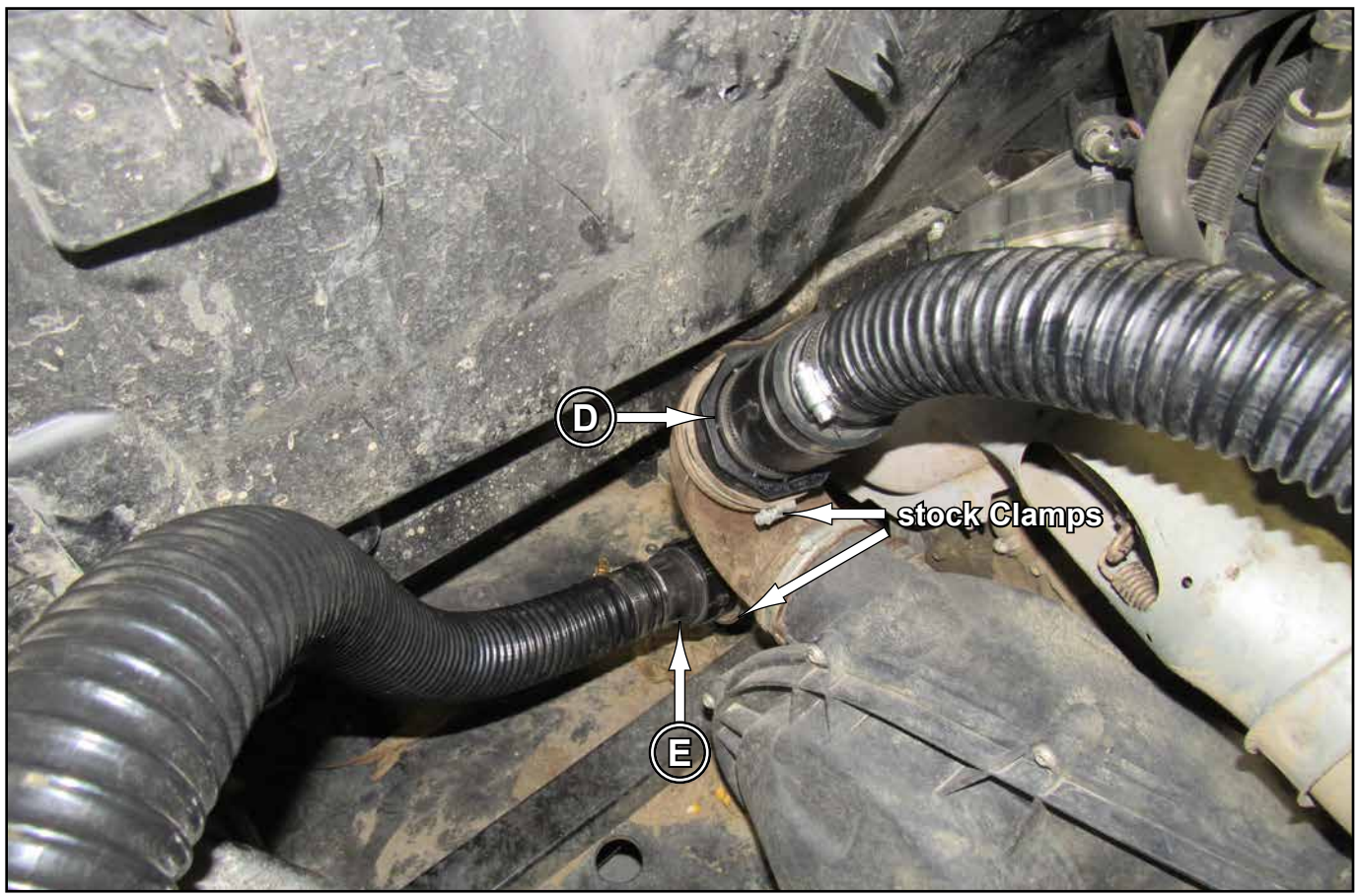
- remove CVT Filter, Intake Ducting, and Exhaust Ducting



- connect Airbox Snorkle (F) to Air Inlet Tube with Large Clamp (N)
- install Cap (M) to Airbox

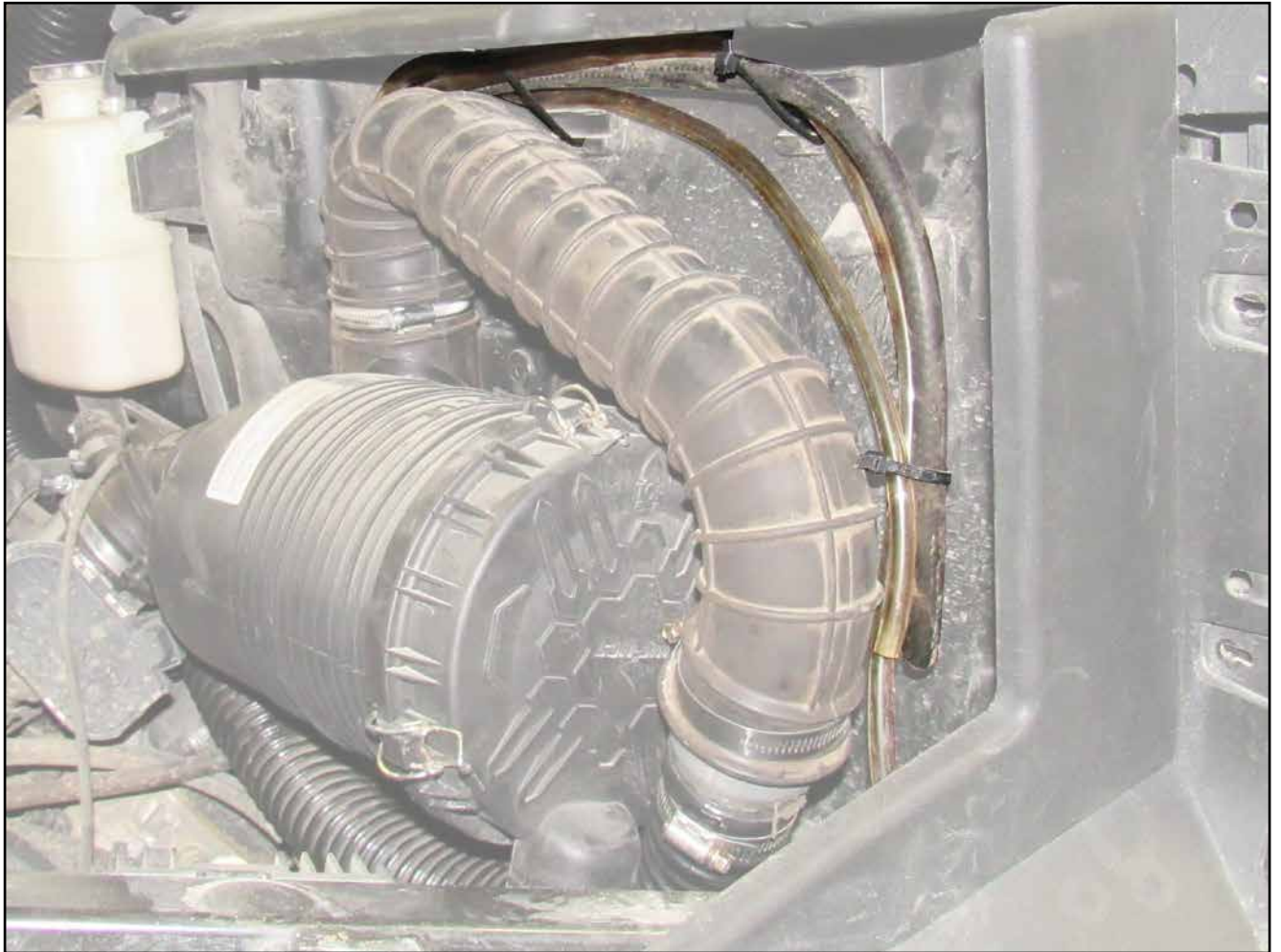


- connect Belt Inlet (E) and Exhaust (D) Snorkles to CVT with stock Clamps





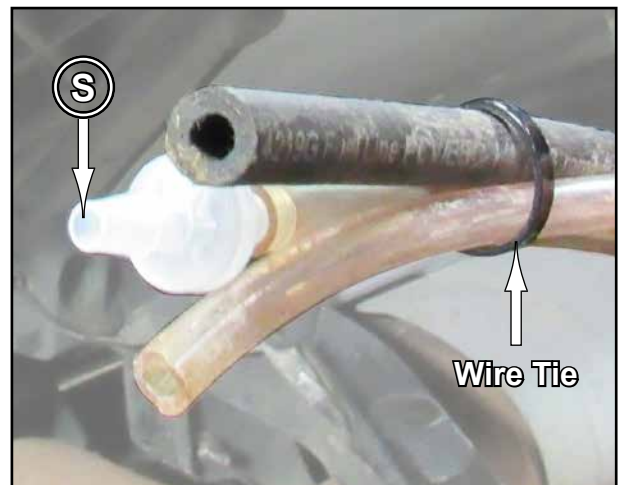
- locate Tubing shown, cut Wire Ties holding in place, and pull away from Rear Wall



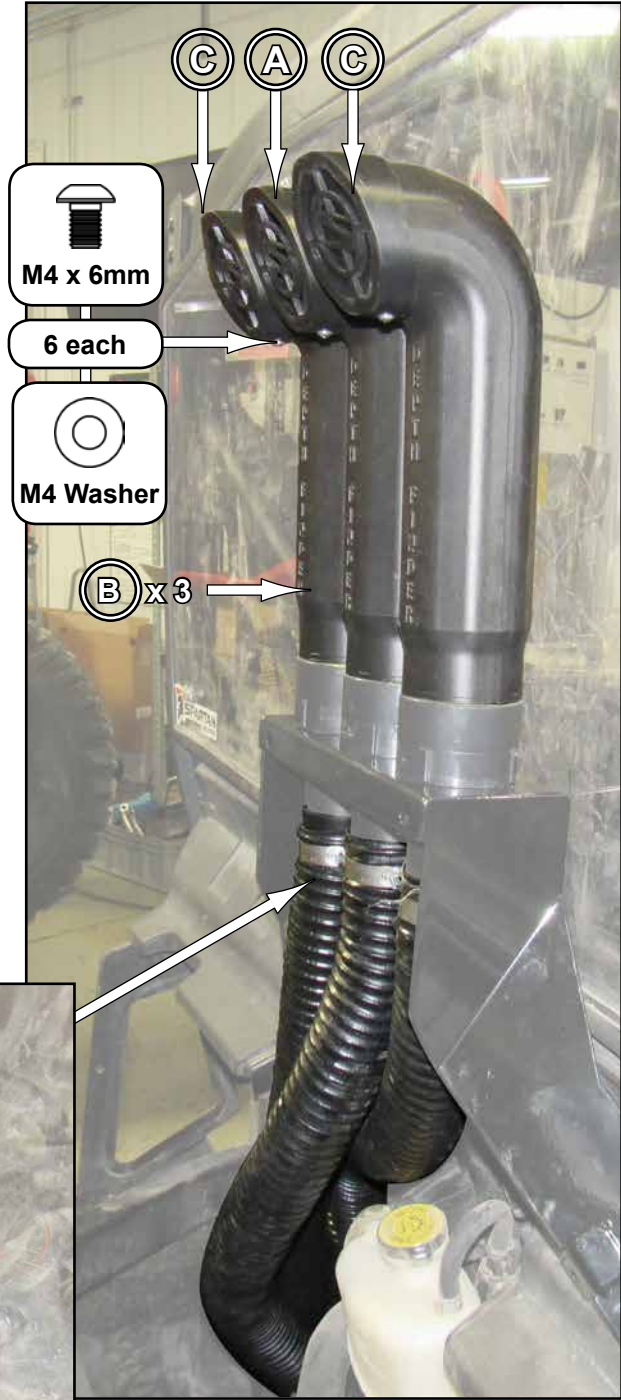
- locate longest piece of Tube and trim to match other Tubing lengths



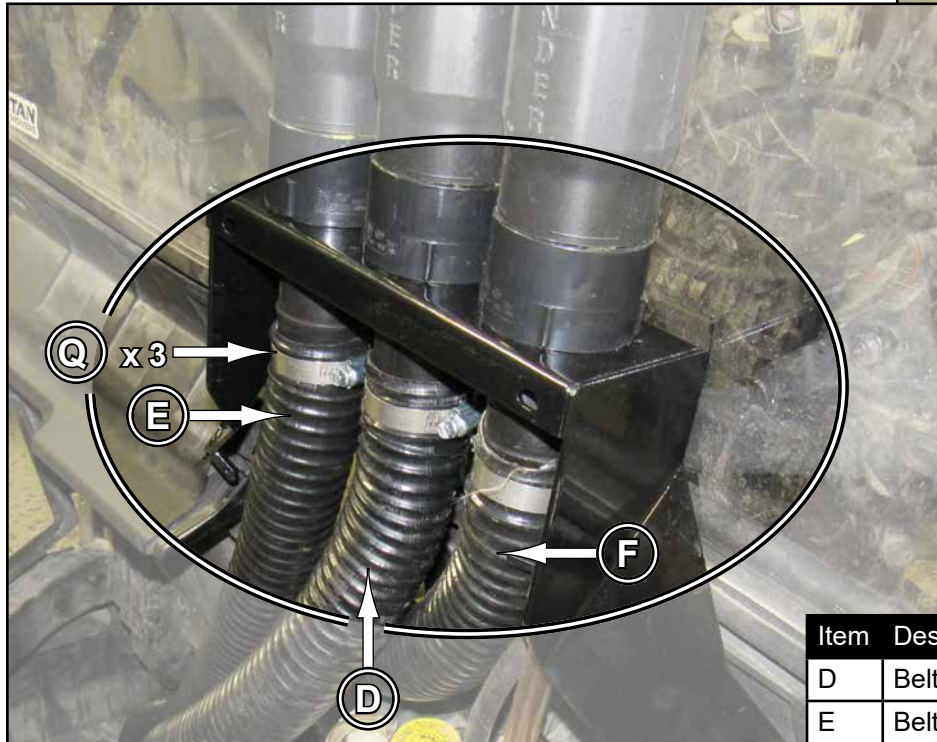
- install One Way Check Valves (S) to Tubing  
- bundle Tubing together



- apply black RTV 100% Silicone to Riser Pipes (P) and Fittings (H)
- install Snorkel Risers (B) onto Riser Pipe Assemblies (P)
- install Faceplates (A)(C) to locations shown; secure with hardware shown



- connect Snorkels to Fittings (H)
- secure with Small Clamps (Q)

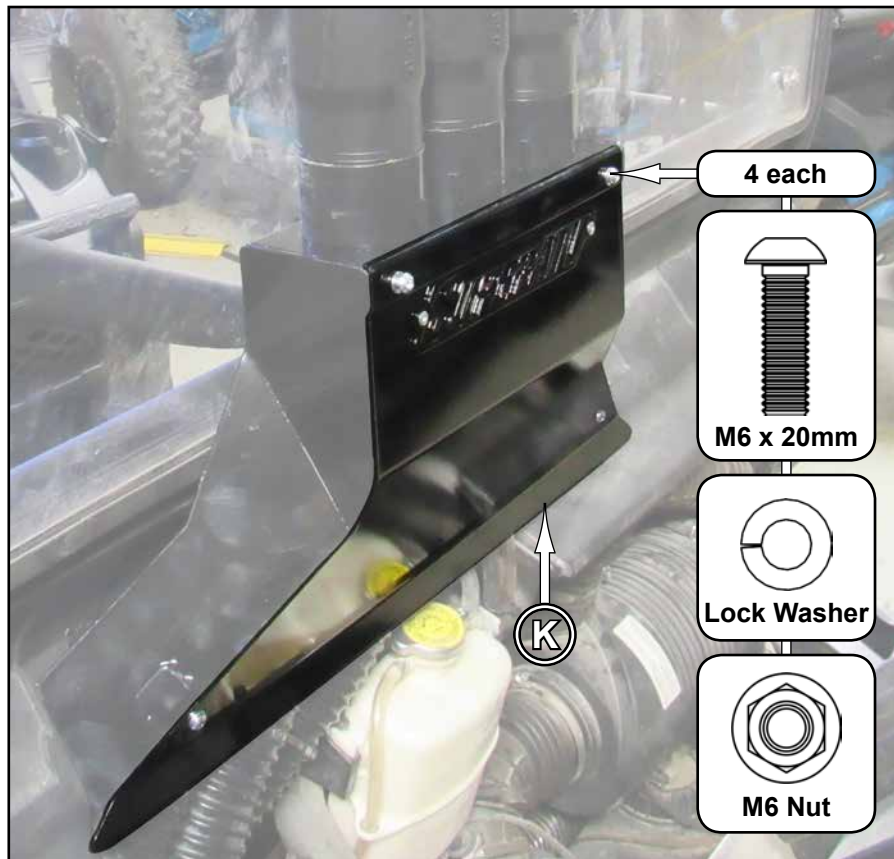


Item	Description
D	Belt Exhaust Snorkle
E	Belt Intake Snorkle
F	Airbox Snorkle

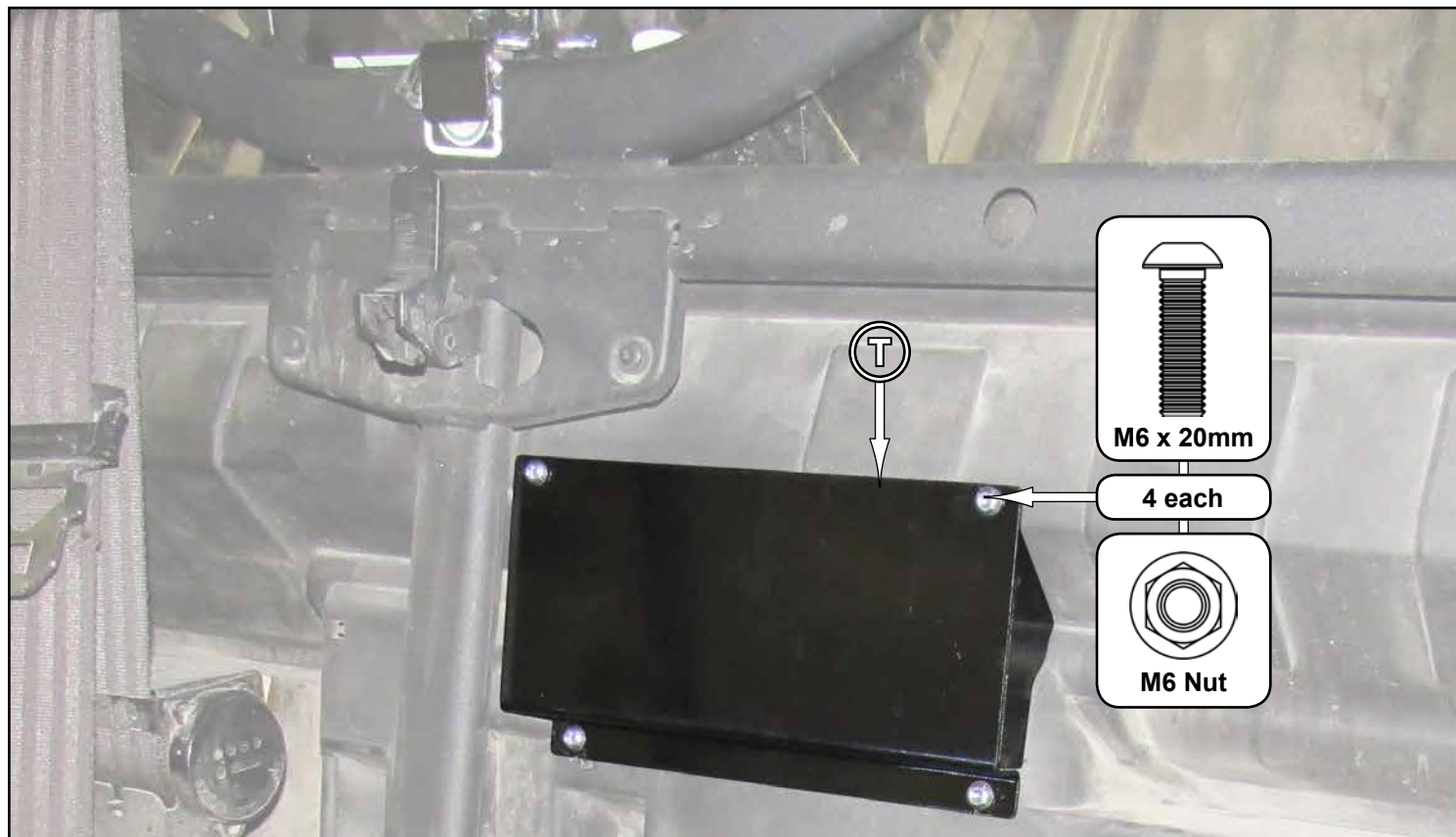
- route previously bundled stock Tubes along Snorkel
- bundle Snorkels and Tubes with Large Wire Ties



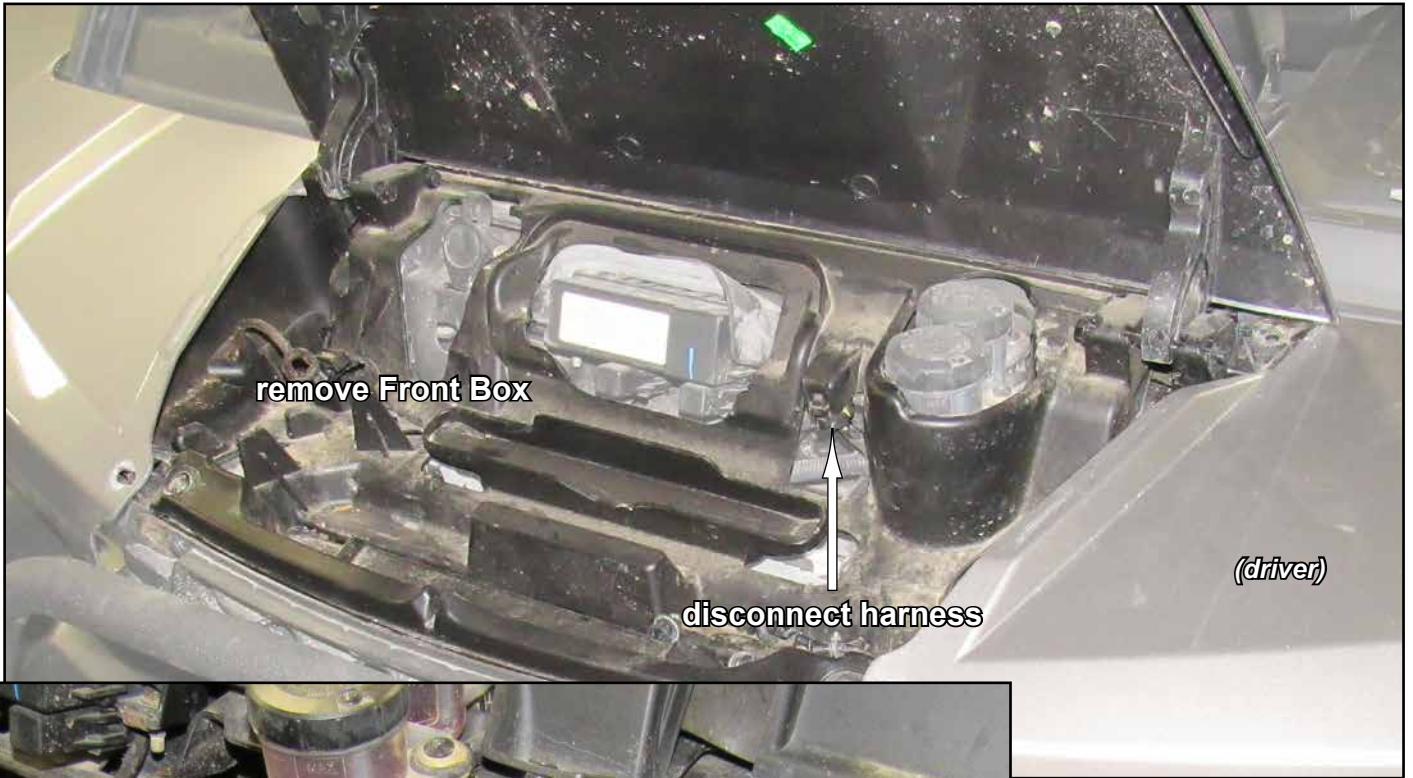
- secure Cover (K) to Bracket (L) with hardware shown



- use Firewall Cover (T) as a template and mark (4) mounting holes on rear Firewall
- remove and drill  $\varnothing 7\text{mm}$  holes
- secure Firewall Cover (T) with hardware shown



## Differential Vent Hose



- install Connector (R) to Vent Bellow (J).

