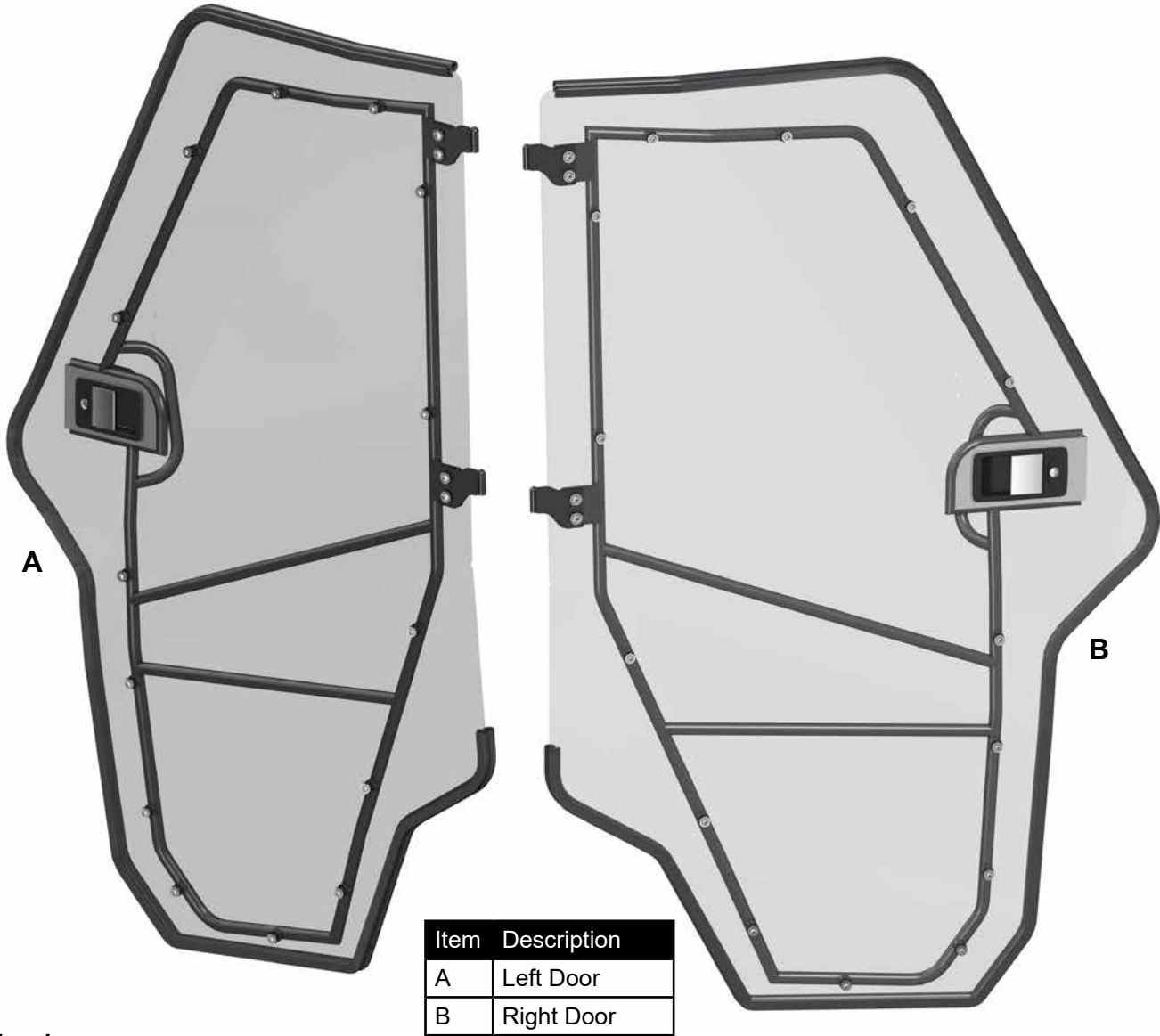


make sure door handles are unlocked before installing



Item	Description
A	Left Door
B	Right Door

Door Cleaning:

- Do not use Rain-X®, Plexus® or any other protector, wax, or polish.
 - Do not use window cleaning fluids (Windex, 409, etc) or any solvents (gasoline, denatured alcohol, acetone, etc).
 - Never use abrasive cleaners, abrasive pads, or gritty cloths.
 - Never use razor blades, scrapers, squeegees, brushes, etc.
1. Thoroughly rinse Doors to float off dirt and mud.
 2. Using a soft cloth, or microfiber cloth, clean Doors with warm water and a gentle detergent. Baby shampoo or hand washing soap are recommended.
 3. To prevent water spots, use a chamois to blot Doors dry.

Need help with your installation?

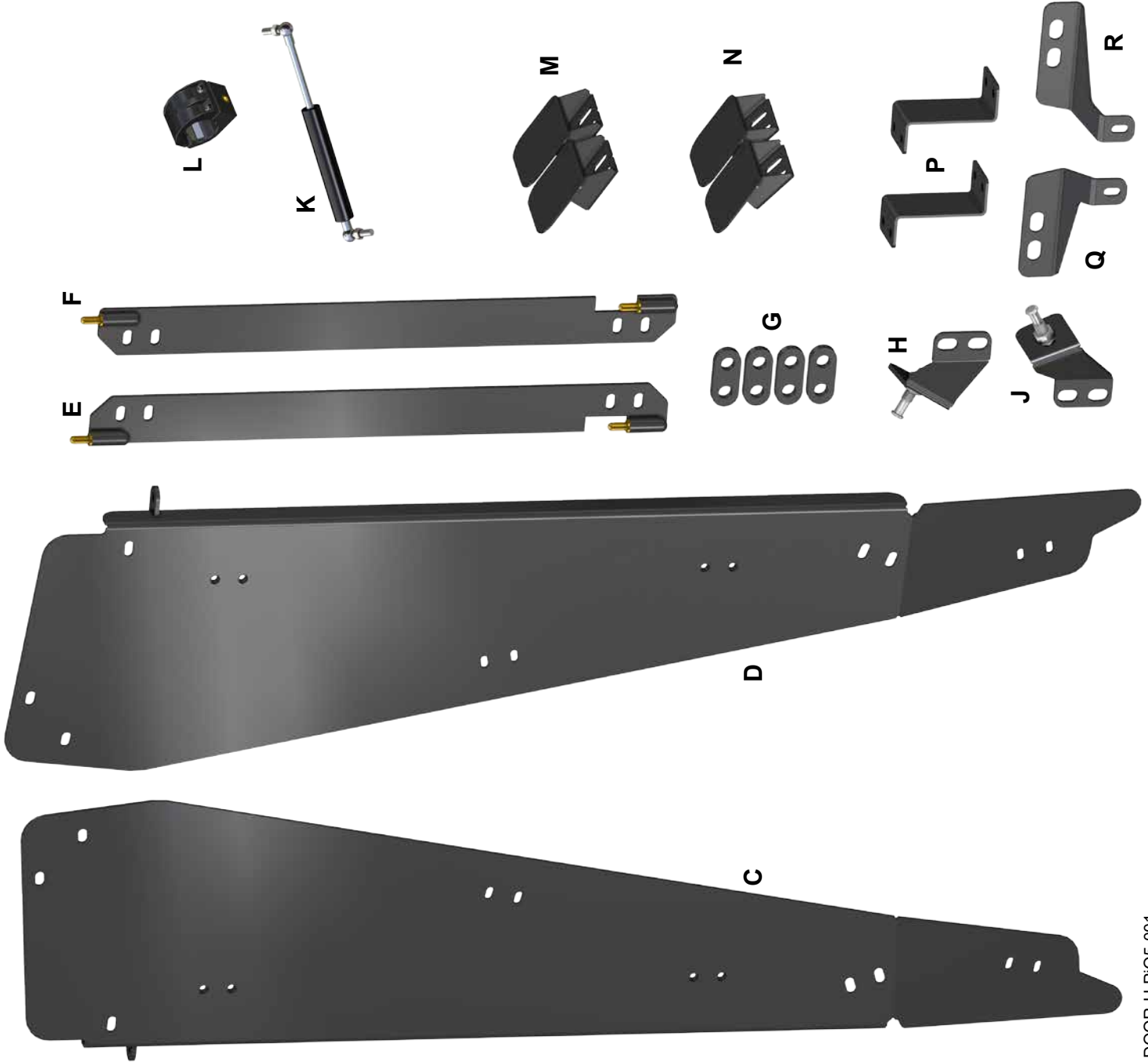
 sales@superatv.com
  www.superatv.com

 1-855-743-3427
  8:00am - 8:00pm EST M-Th
 8:00am - 7:00pm EST Friday
 9:00am - 2:00pm EST Saturday

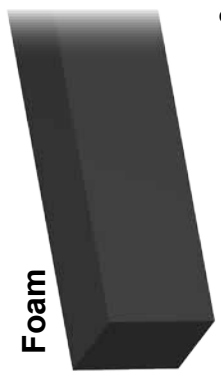
Read instructions and view illustrations before beginning.

*Thank You
 For Choosing*
SUPERATV.COM[®]

Item	Description
C	Left Mount
D	Right Mount
E	Left Hinge Mount
F	Right Hinge Mount
G	Spacer x 4
H	Right Striker
J	Left Striker
K	Gas Strut x 2
L	Clamp x 4
M	Lower Hinge Cover x 2
N	Upper Hinge Cover x 2
P	Lower Mount x 2
Q	Left Support
R	Right Support



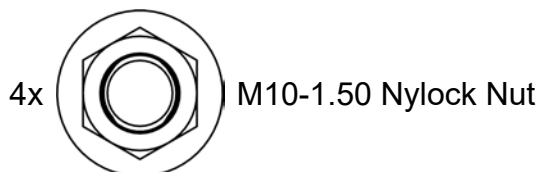
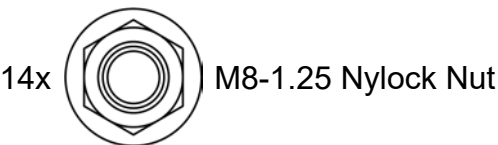
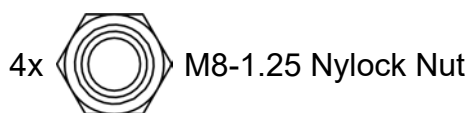
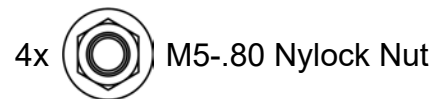
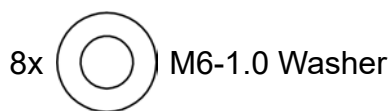
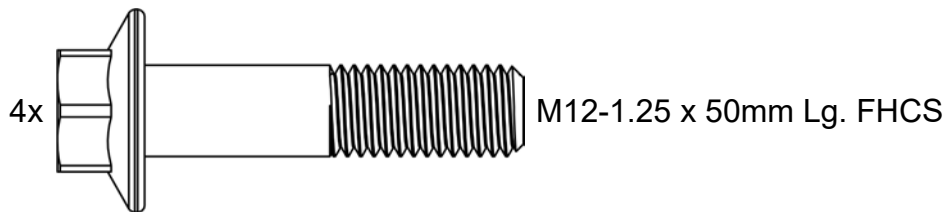
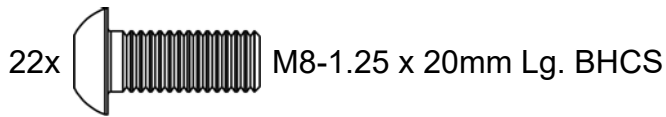
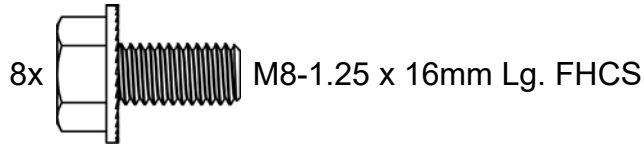
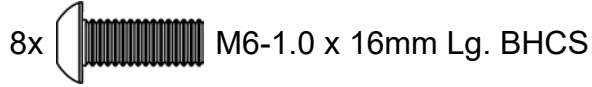
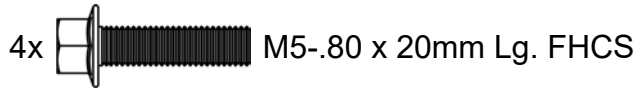
Mirrors



Foam

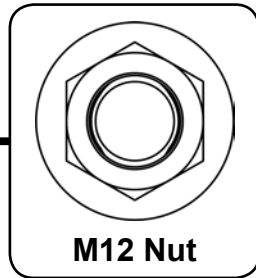
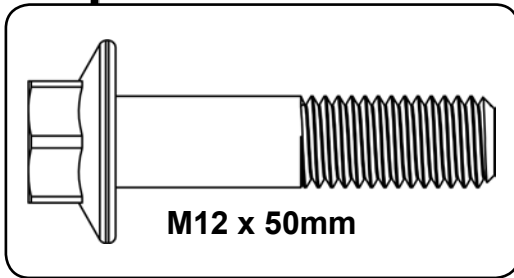
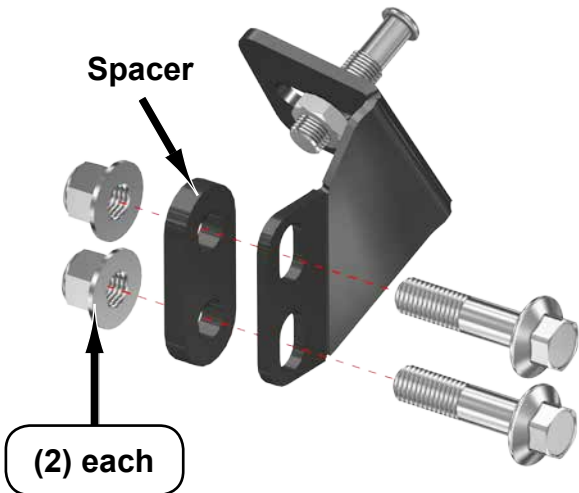
Hardware Kit

do not tighten any hardware completely when installing components

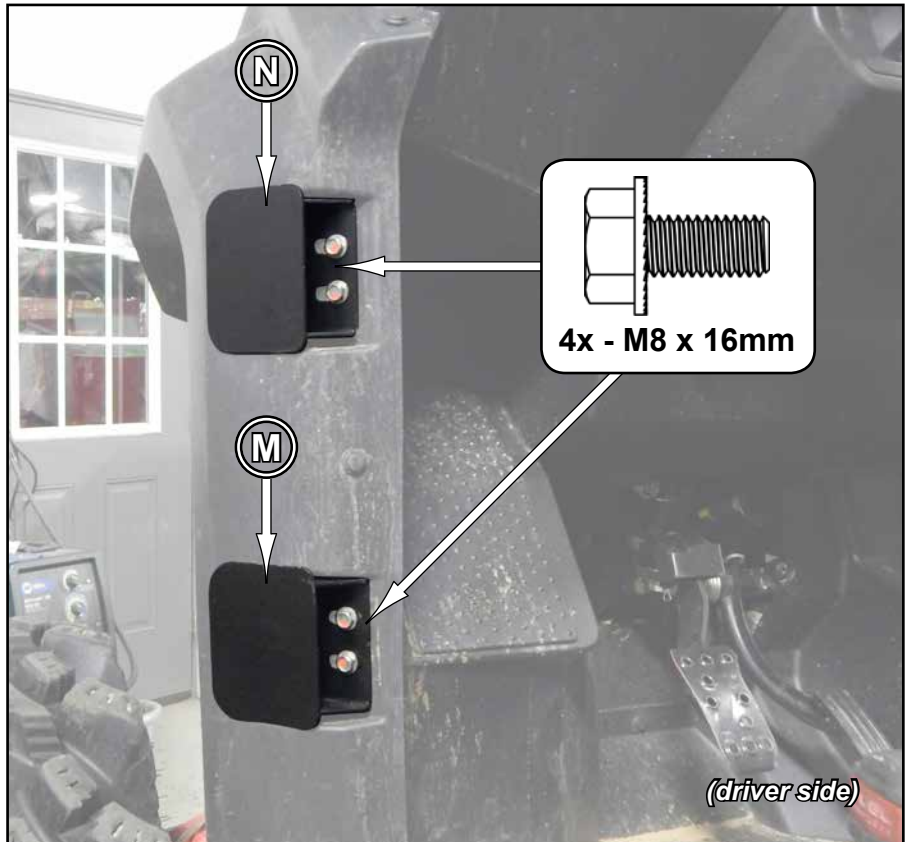




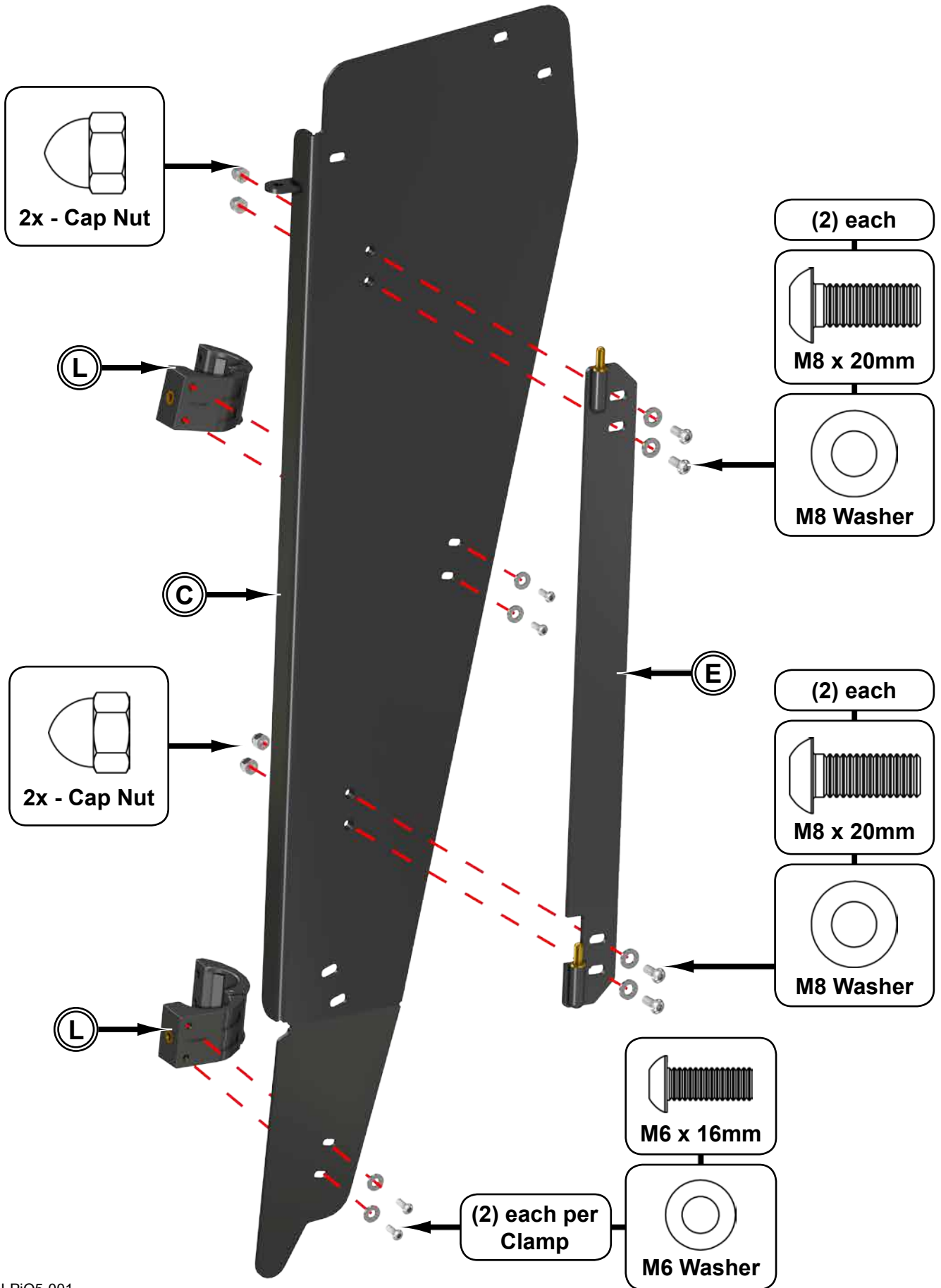
- Remove stock hardware and install Left Striker (J) with hardware shown.



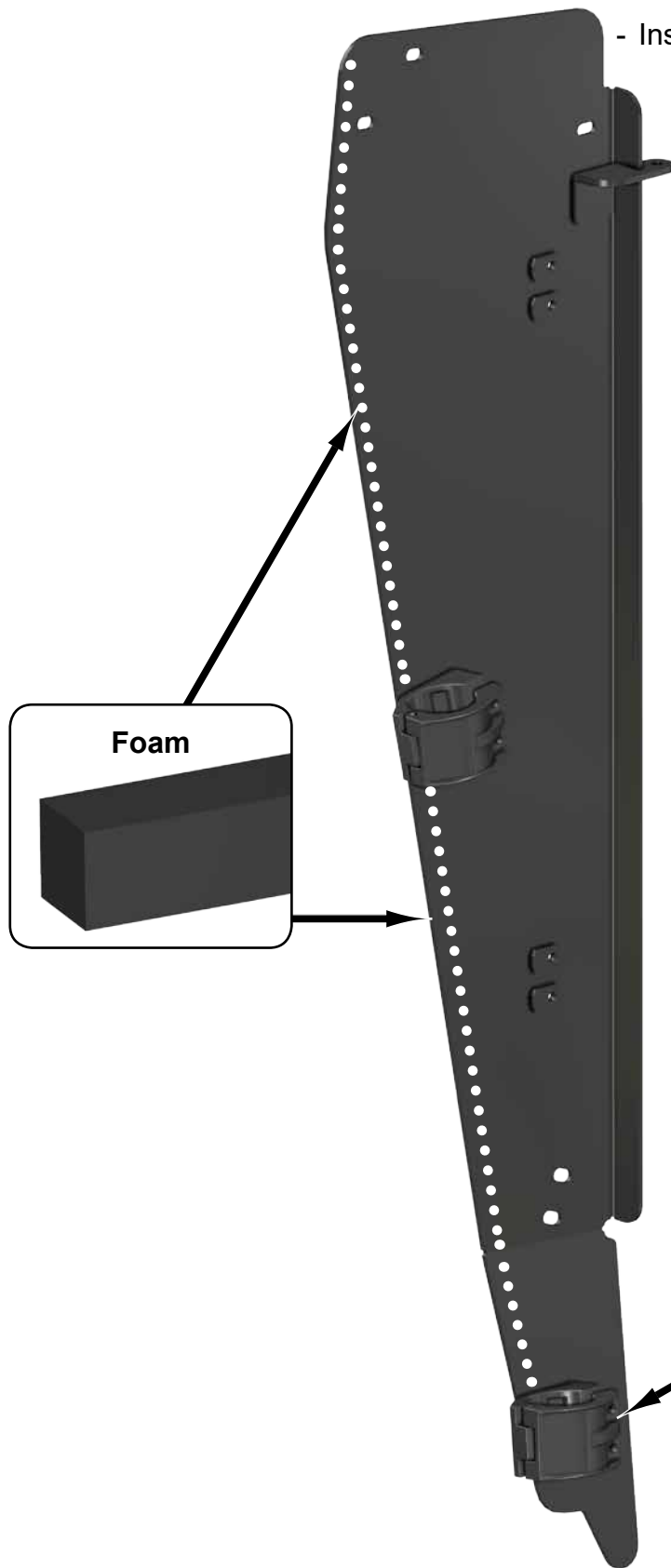
- Install Hinge Covers (M)(N) with hardware shown.



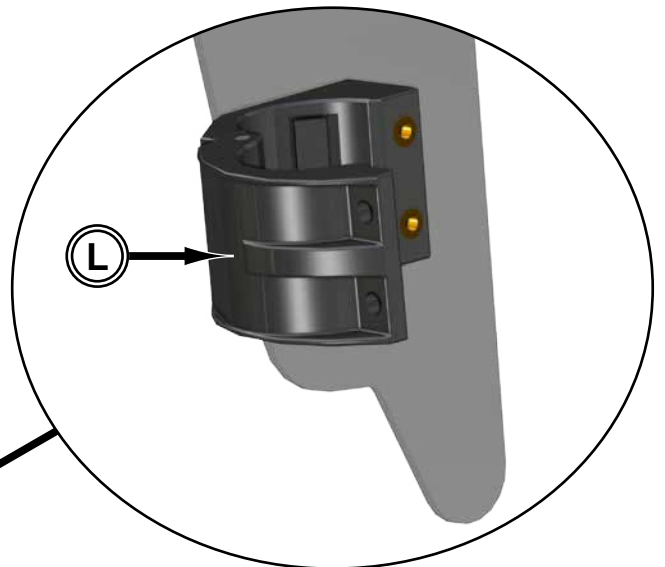
- Install Clamps (L) and Left Hinge Mount (E) to Left Mount (C) with hardware shown.



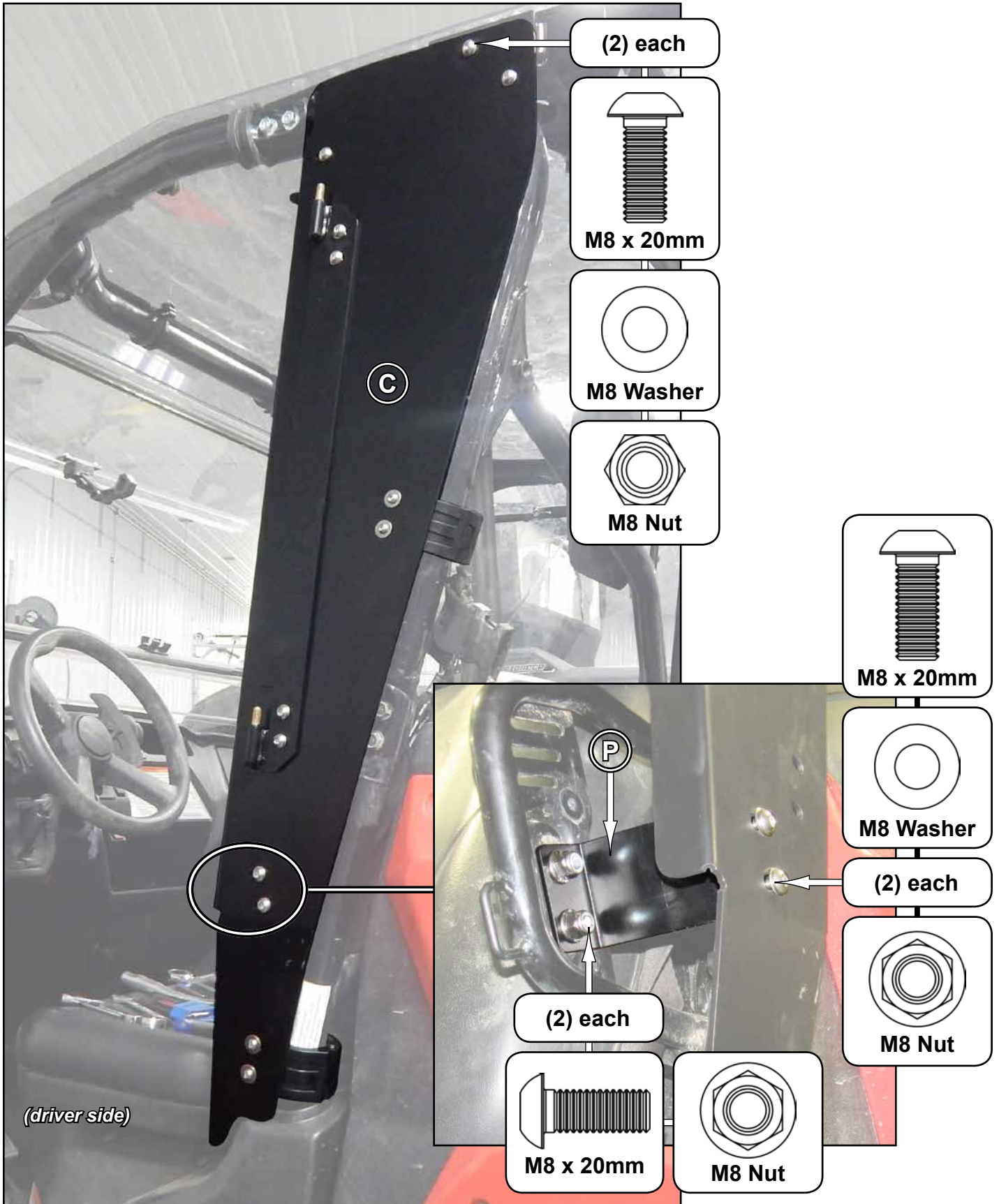
- Install Foam to Mounts (C)(D) in locations shown.



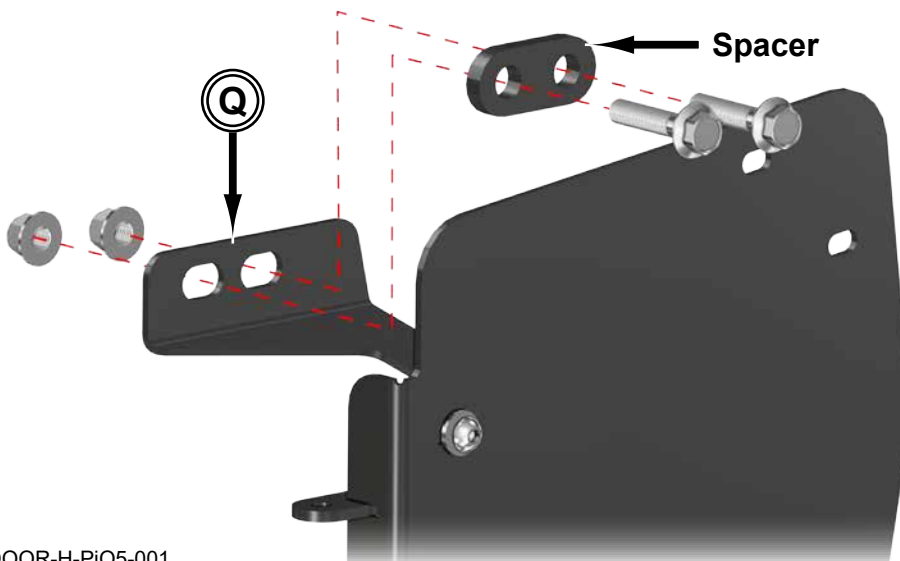
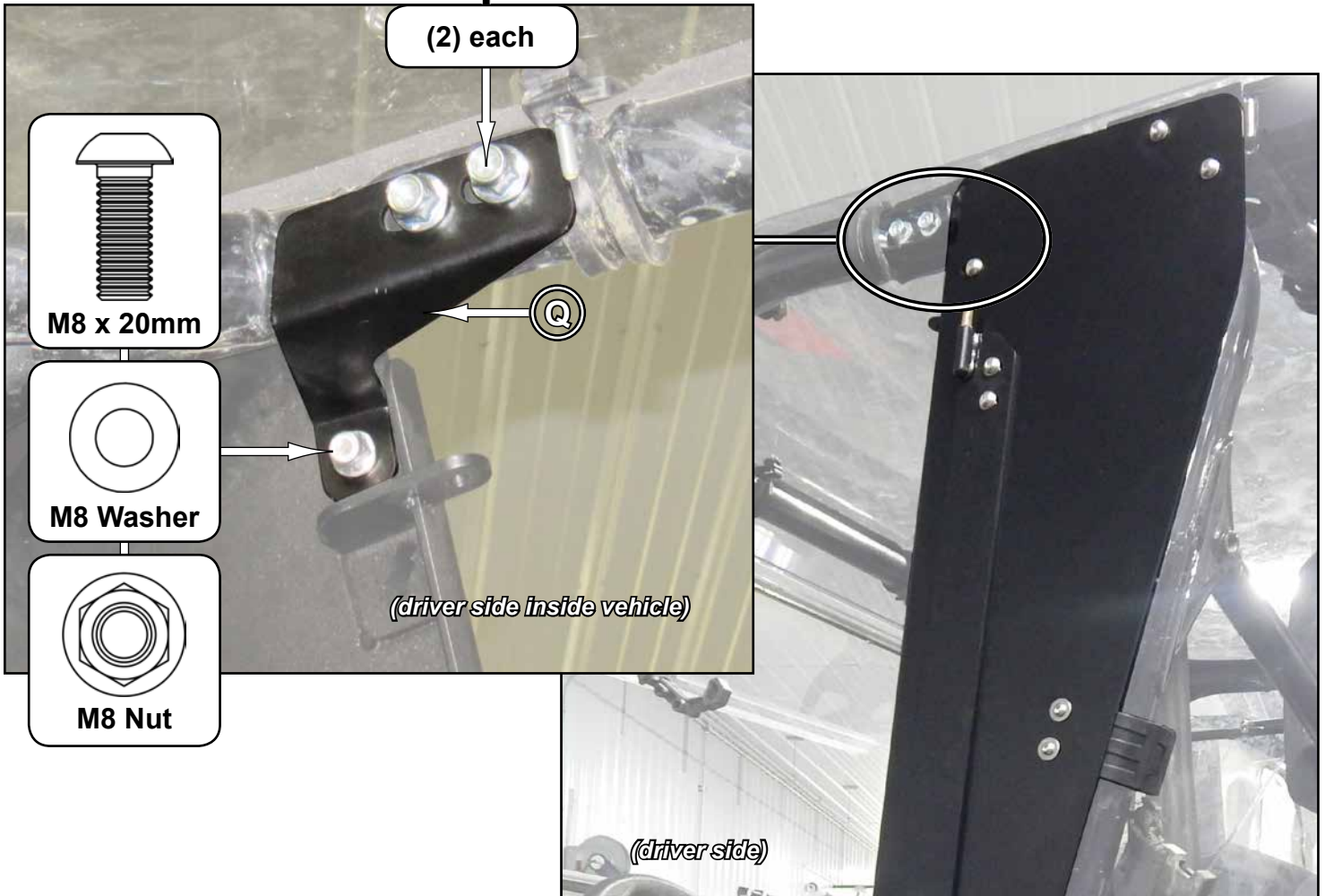
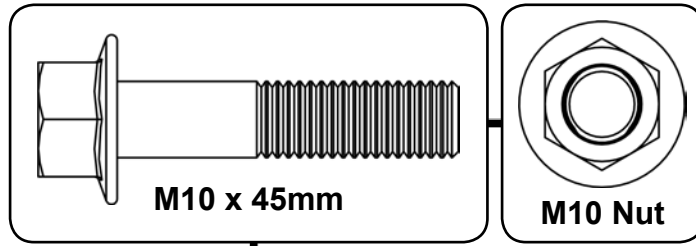
- Remove screws and place Clamps (L) in open position.



- Place Left Mount (C) on machine and secure Clamps (L) with previously removed hardware.
- Install Lower Mount (P) to stock Latch location with hardware shown. Secure to Left Mount (C) with hardware shown.



- Install Left Support (Q) to Left Mount (C) and Cage with hardware shown.



- Install Left Door (A) onto Left Hinge Mount (E).

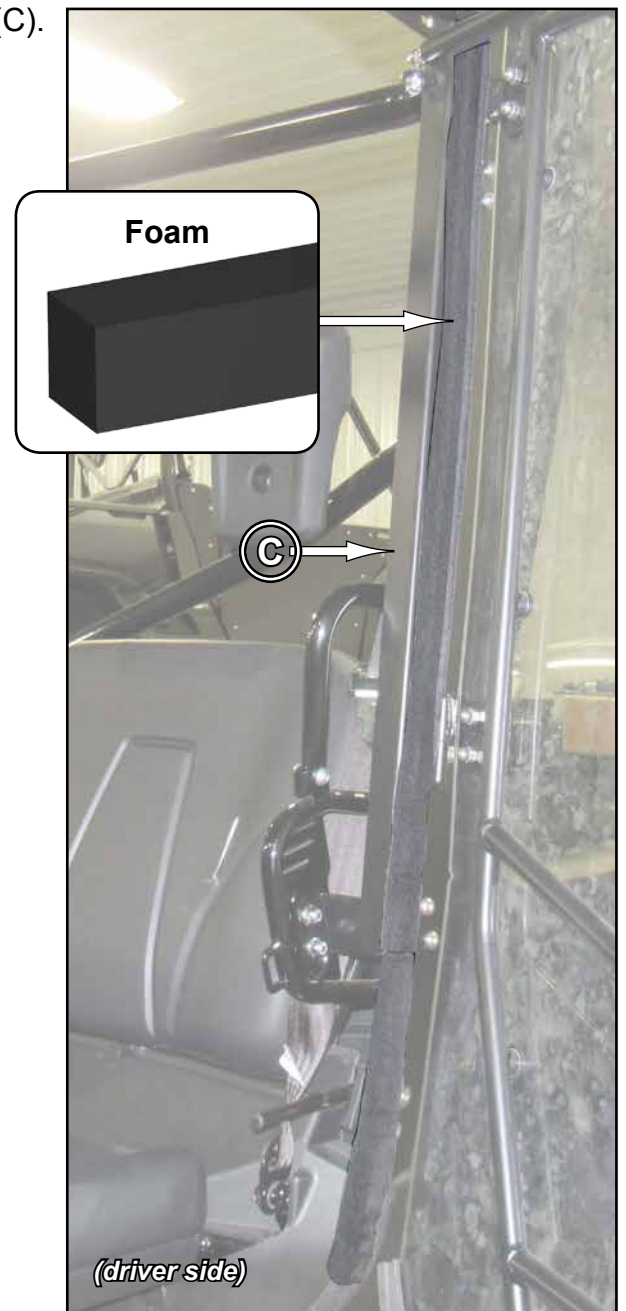
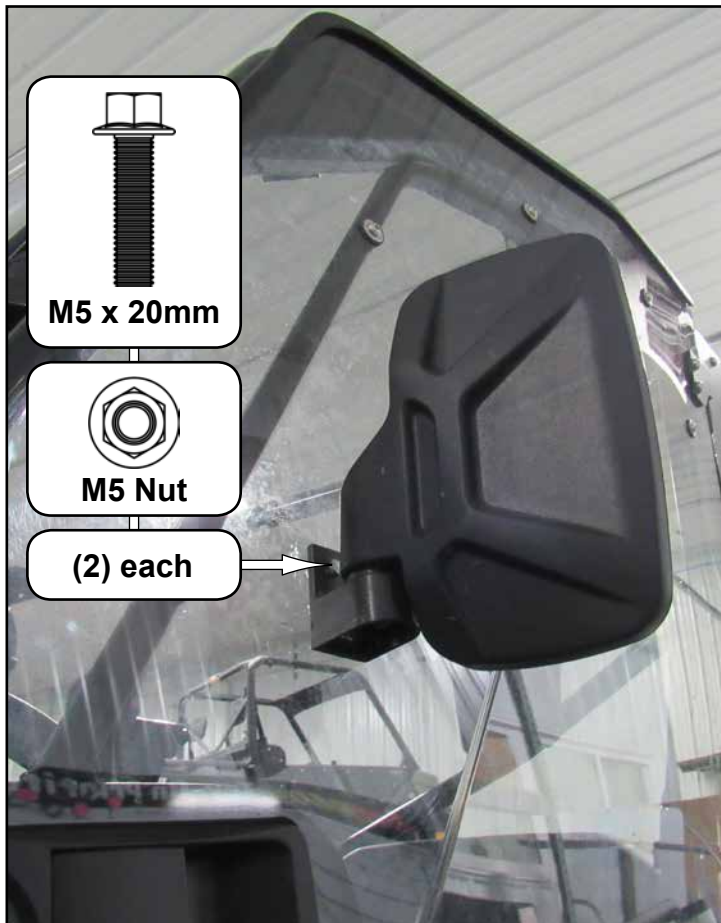


- Install Gas Strut (K) to Left Door (A) and Left Mount (C) with hardware shown.

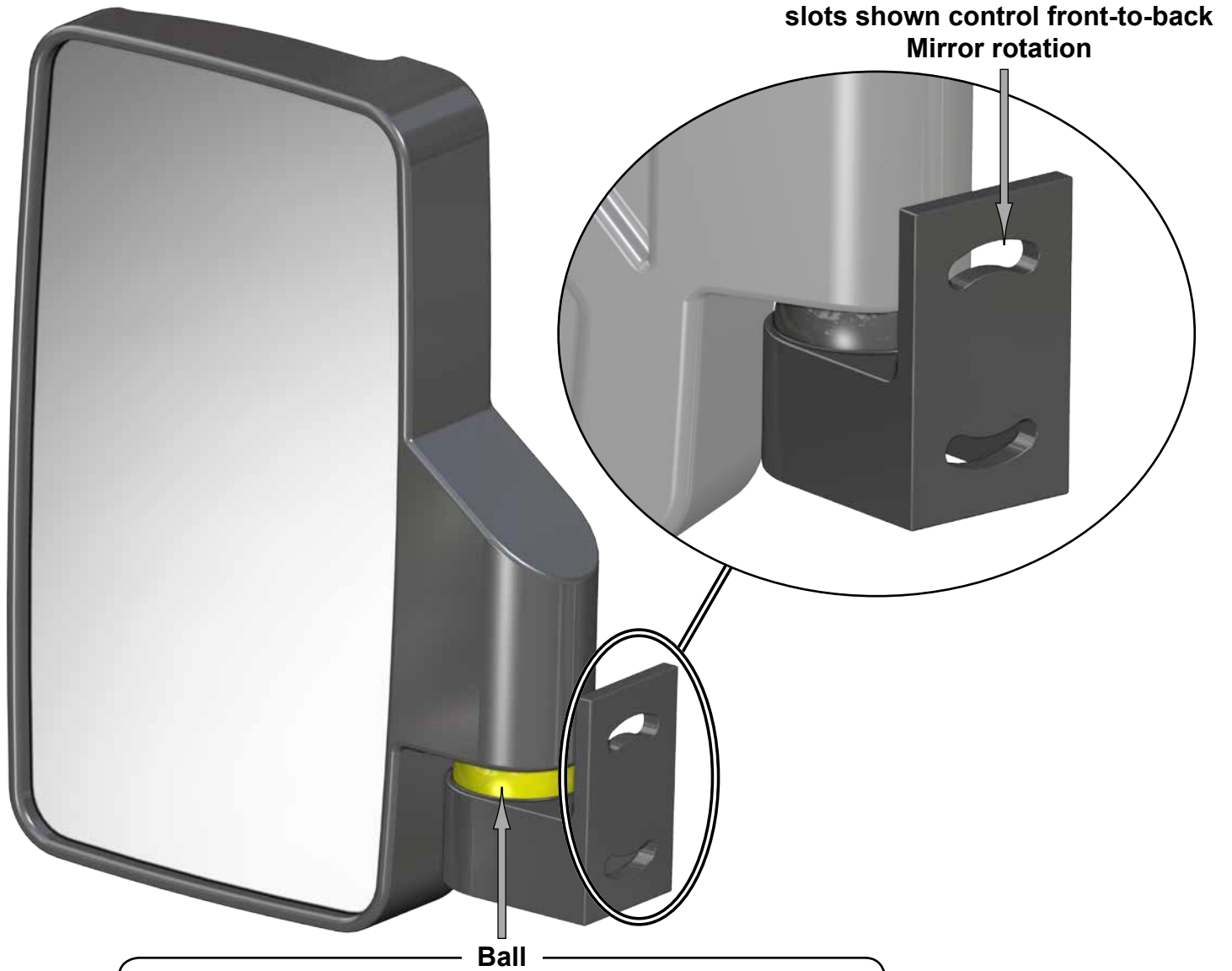


- Install Foam to Left Mount (C).

- Install Mirror to Doors with hardware shown.



- Close Door and engage Latch.
- Align to machine and tighten all hardware completely.
- Repeat steps for opposite side.



- Mirror is spring loaded and can also be adjusted here.
- Ball will allow adjustment in various directions.



Liability Statement

SuperATV's® products are designed to best fit user's ATV/UTV under stock conditions. Adding, modifying, or fabricating any factory or aftermarket parts will void any warranty provided by SuperATV® and is not recommended. SuperATV's® products could interfere with other aftermarket accessories. If user has aftermarket products on machine, contact SuperATV® to verify that they will work together.

Although SuperATV® has thousands of satisfied customers, user should be aware that installing lift kits, long travel, or suspension kits, tires, etc. will change the ride of machine and may increase maintenance and part wear. Operating any off-road machine while, or after, consuming alcohol and/or drugs increases risk of bodily harm or death. No warranty or representation is made as to this product's ability to protect user from severe injury or death. SuperATV® urges operators and occupants to wear a helmet and appropriate riding gear at all times.

By purchasing and installing SuperATV® products, user agrees that should damages occur, SuperATV® will not be held responsible for loss of time, use, labor fees, replacement parts, or freight charges. SuperATV®, nor any 3rd party, will not be held responsible for any direct, indirect, incidental, special, or consequential damages that result from any product purchased from SuperATV®. The total liability of seller to user for all damages, losses, and causes of action, if any, shall not exceed the total purchase price paid for the product that gave rise to the claim.

SuperATV® will warranty only parts provided by SuperATV®. Any damage or problems with OEM housings, bearings, seals, or other manufacturers' products will not be covered by SuperATV®. SuperATV® parts and products are not warrantied if item was not installed properly, misused, or modified.

Installing, adding, modifying, or fabricating any factory or aftermarket product to your ATV/UTV may violate certain local, state, and federal laws. Be advised that laws vary depending on town, city, county, state, etc. Use of certain products on public streets, roads, or highways may be in violation law. The Buyer is solely and exclusively legally and personally responsible for any violation of the law by the installation or use of the product. You must abide by all local, state, and federal laws, including but not limited to vehicle safety, traffic laws, and ordinances. It is your responsibility to know the laws and how they apply to you.

The Buyer is responsible to fully understand the capability and limitations of his/her vehicle according to manufacturer specifications, warnings and instructions and agrees to hold SuperATV® harmless from any damage resulting from failure to adhere to such specifications, warnings and/ or instructions. The Buyer is also responsible to obey all applicable federal, state, and local laws and ordinances when operating his/her vehicle while using this product, and the Buyer agrees to hold SuperATV® harmless from any violation thereof.

make sure door handles are unlocked before installing



Item	Description
A	Left Door
B	Right Door

Door Cleaning:

- Do not use Rain-X®, Plexus® or any other protector, wax, or polish.
 - Do not use window cleaning fluids (Windex, 409, etc) or any solvents (gasoline, denatured alcohol, acetone, etc).
 - Never use abrasive cleaners, abrasive pads, or gritty cloths.
 - Never use razor blades, scrapers, squeegees, brushes, etc.
1. Thoroughly rinse Doors to float off dirt and mud.
 2. Using a soft cloth, or microfiber cloth, clean Doors with warm water and a gentle detergent. Baby shampoo or hand washing soap are recommended.
 3. To prevent water spots, use a chamois to blot Doors dry.

Need help with your installation?



sales@superatv.com



www.superatv.com



1-855-743-3427



8:00am - 8:00pm EST M-Th
 8:00am - 7:00pm EST Friday
 9:00am - 2:00pm EST Saturday

Read instructions and view illustrations before beginning.

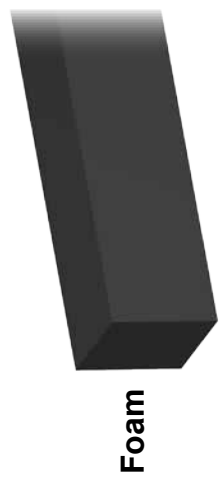
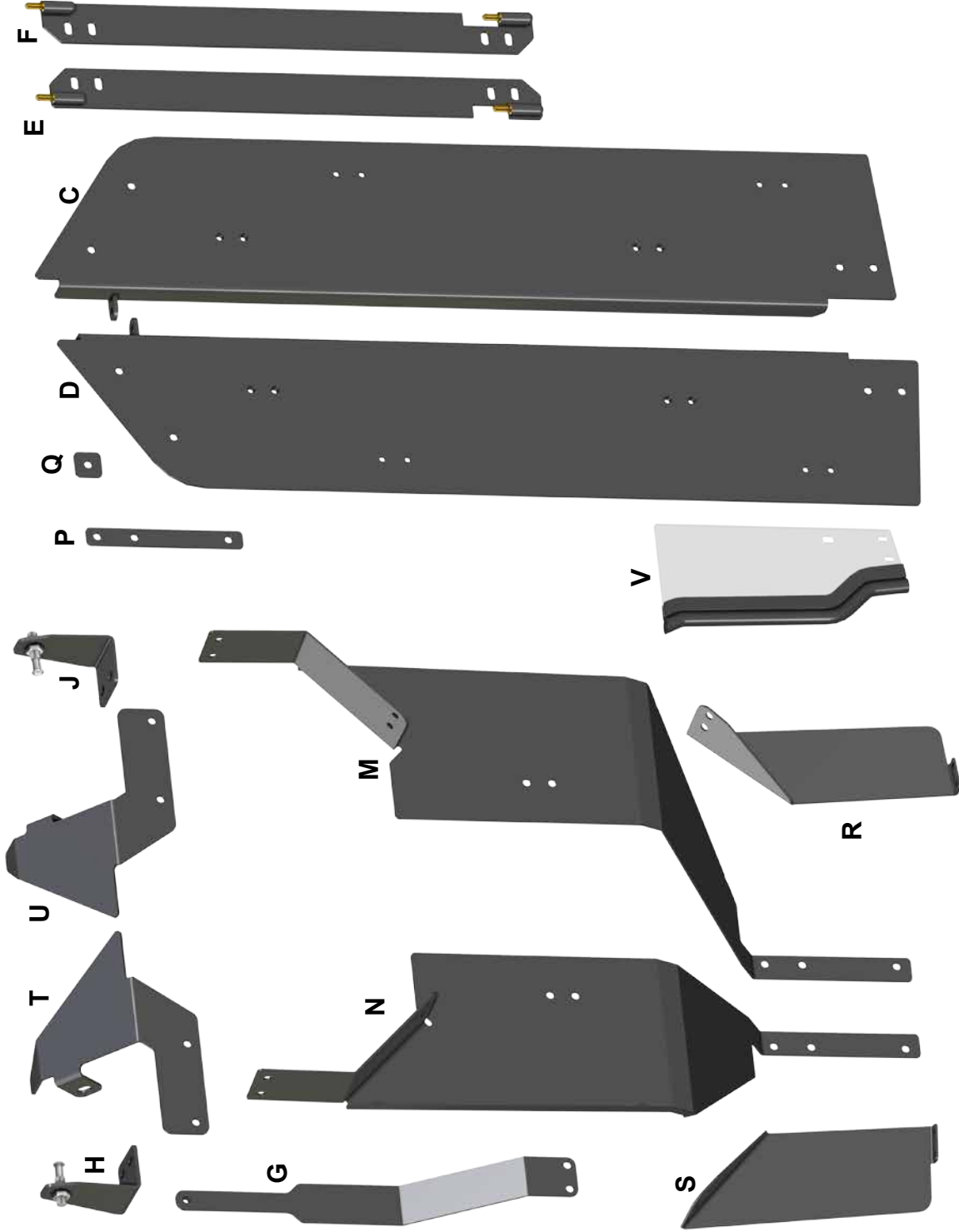
Thank You

For Choosing



do not tighten any hardware completely when installing components

Item	Description
C	Left Mount
D	Right Mount
E	Left Hinge Mount
F	Right Hinge Mount
G	Bed Bracket x 2
H	Right Striker
J	Left Striker
K	Gas Strut x 2
L	Clamp x 6
M	Left Fender Bracket
N	Right Fender Bracket
P	Fender Bracket Brace x 2
Q	Bed Bracket Spacer x 2
R	Left Fender Bracket Rear
S	Right Fender Bracket Rear
T	Right Upper Mount
U	Left Upper Mount
V	Rear Panel x 2



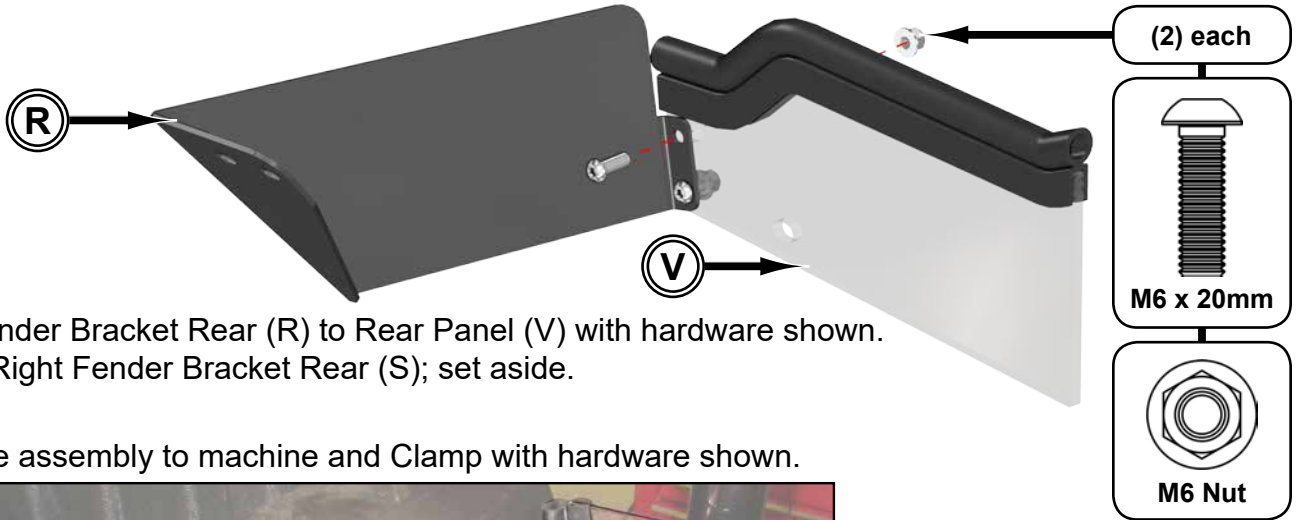
Foam

discard any remaining hardware

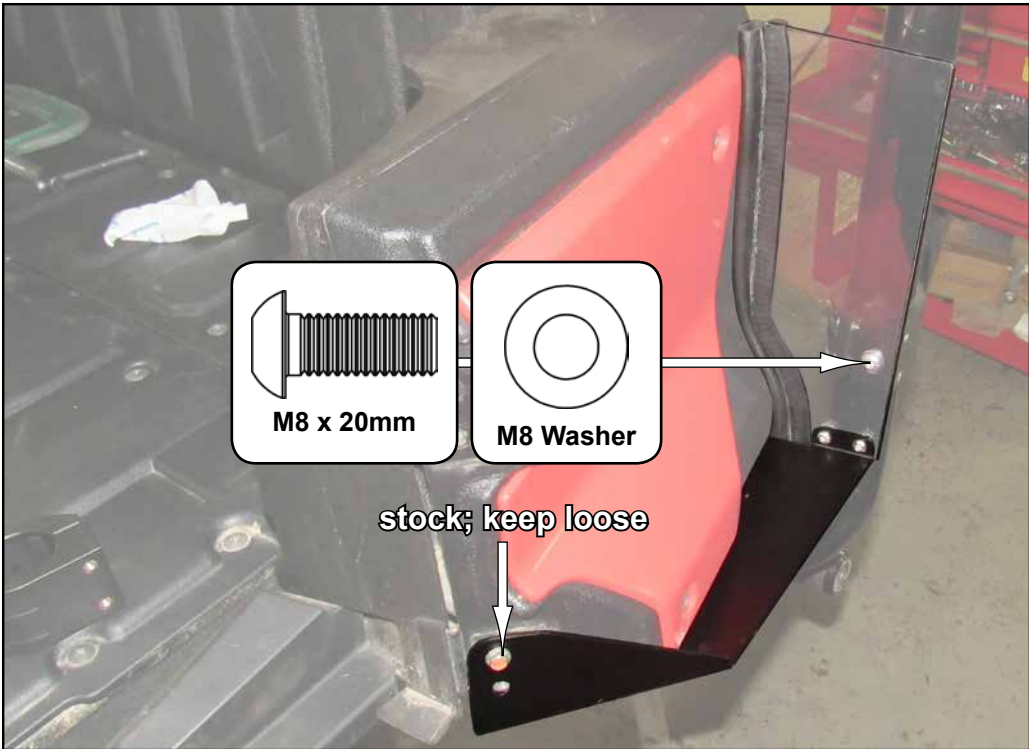




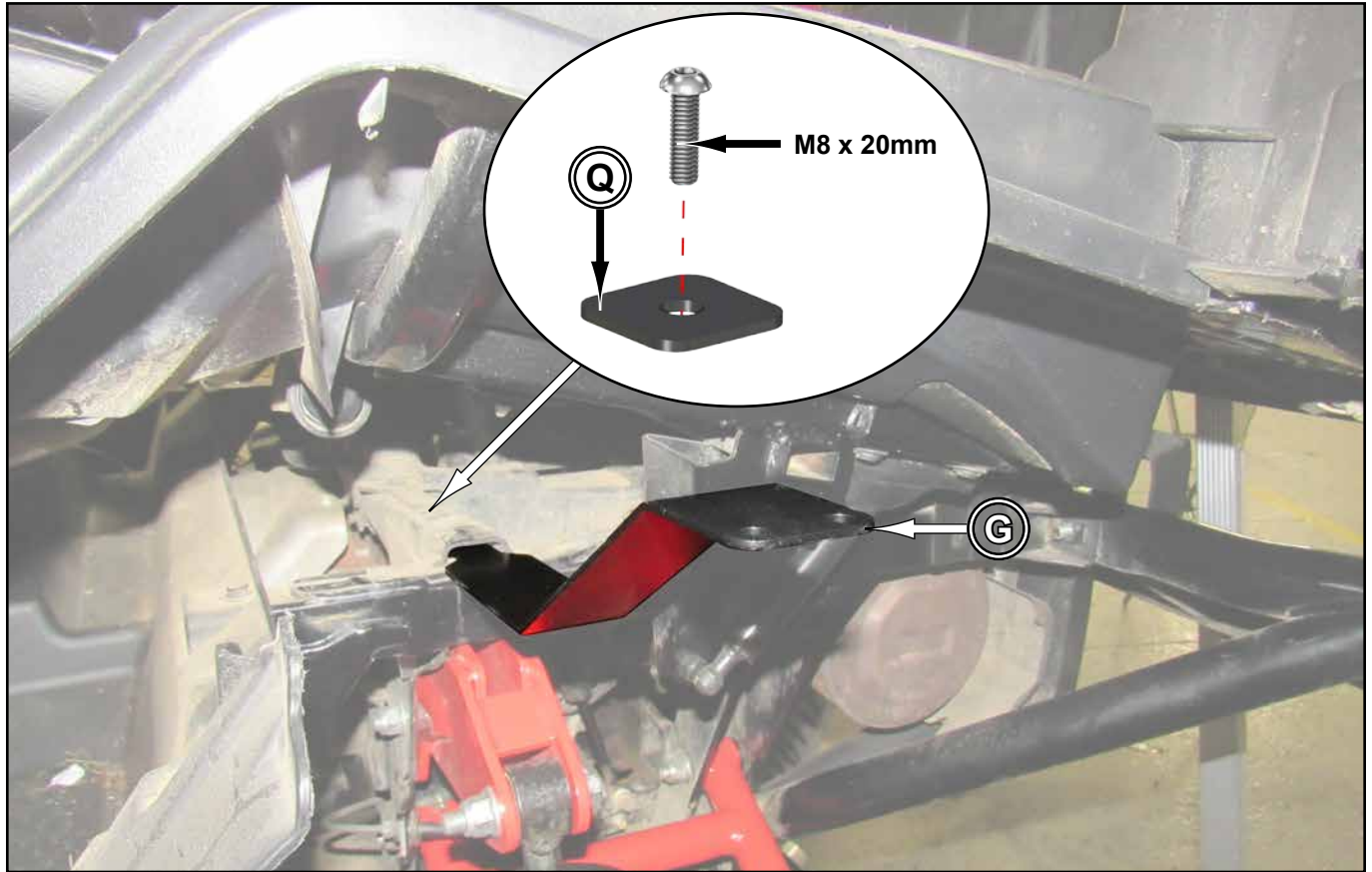
Installing will eliminate Bed tilting. Skip this page if user would like Bed to tilt.



- Join Left Fender Bracket Rear (R) to Rear Panel (V) with hardware shown.
- Repeat for Right Fender Bracket Rear (S); set aside.
- Install above assembly to machine and Clamp with hardware shown.



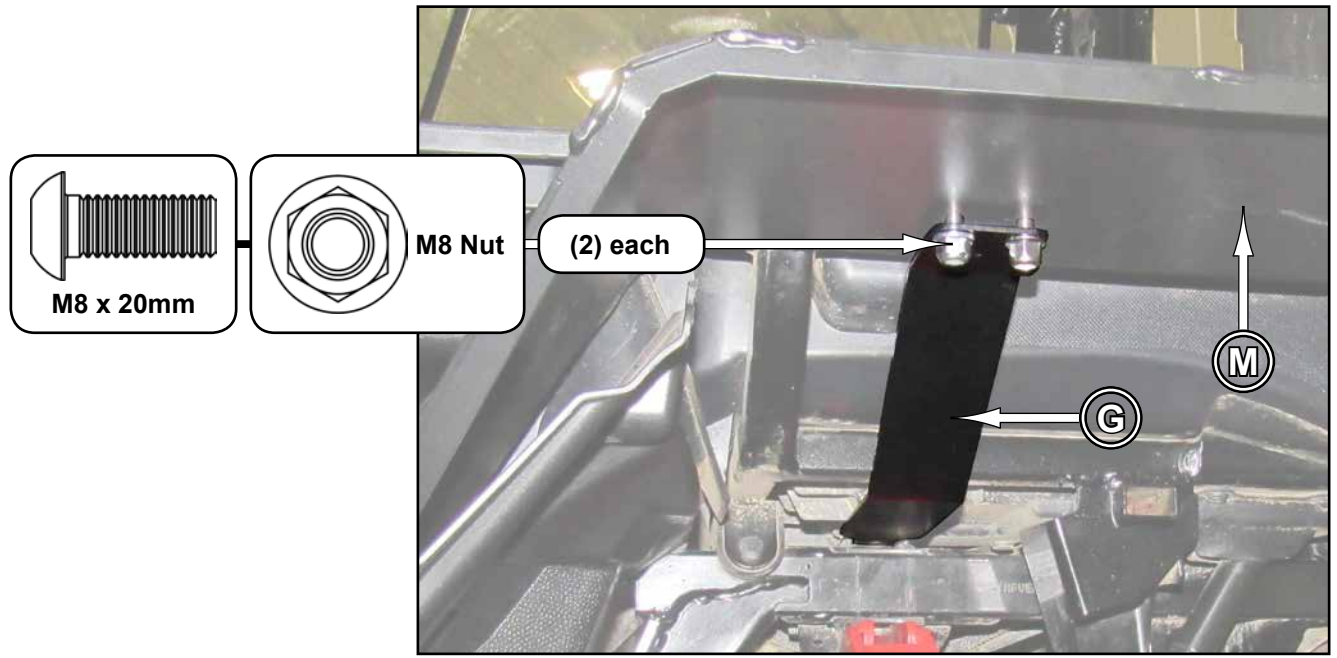
- Raise Bed and insert Bed Bracket (G) into pocket shown.
- Secure with hardware shown; tighten completely.



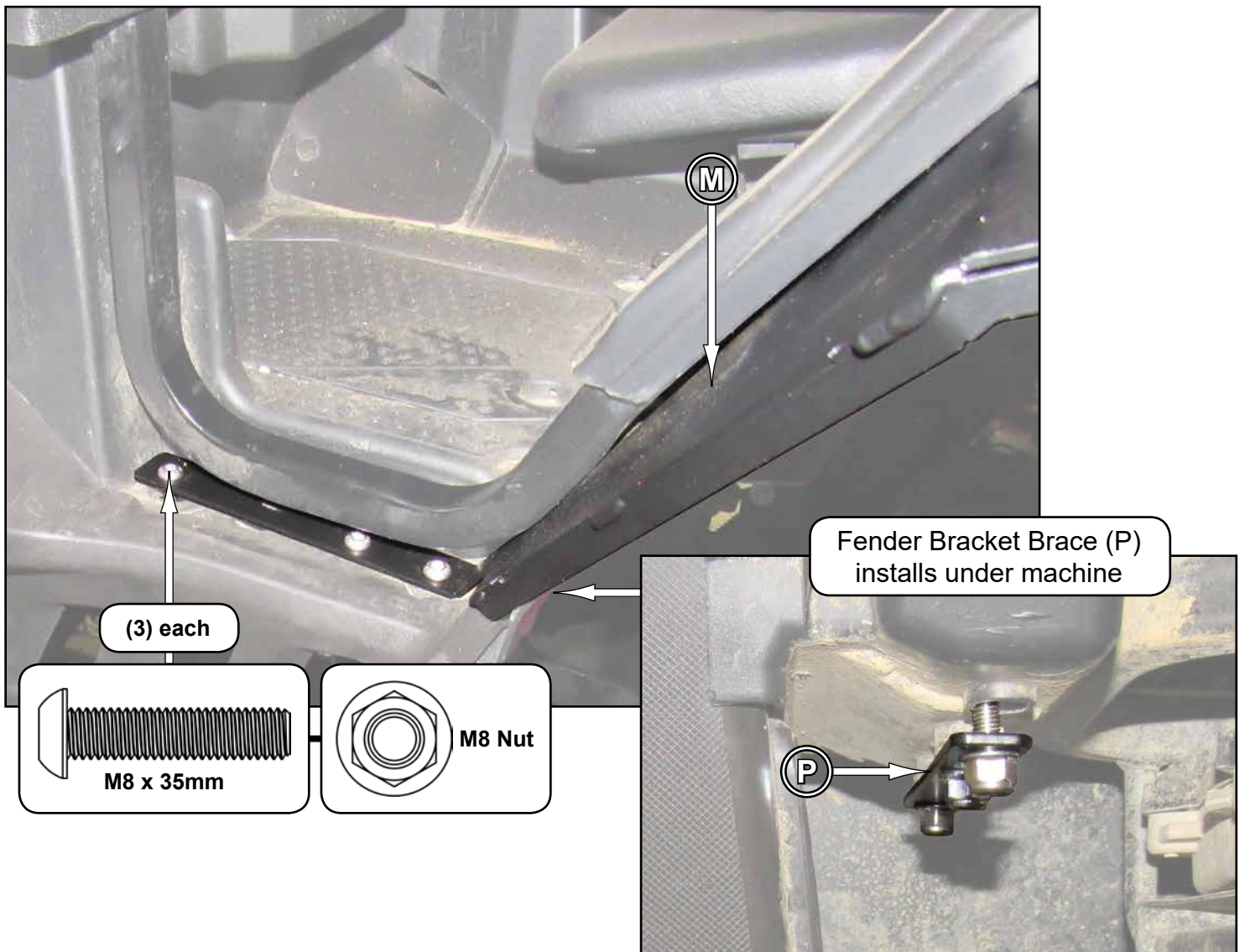
- Reinstall Left Fender Bracket Rear (R) / Rear Panel (V) assembly to Clamp with hardware shown.



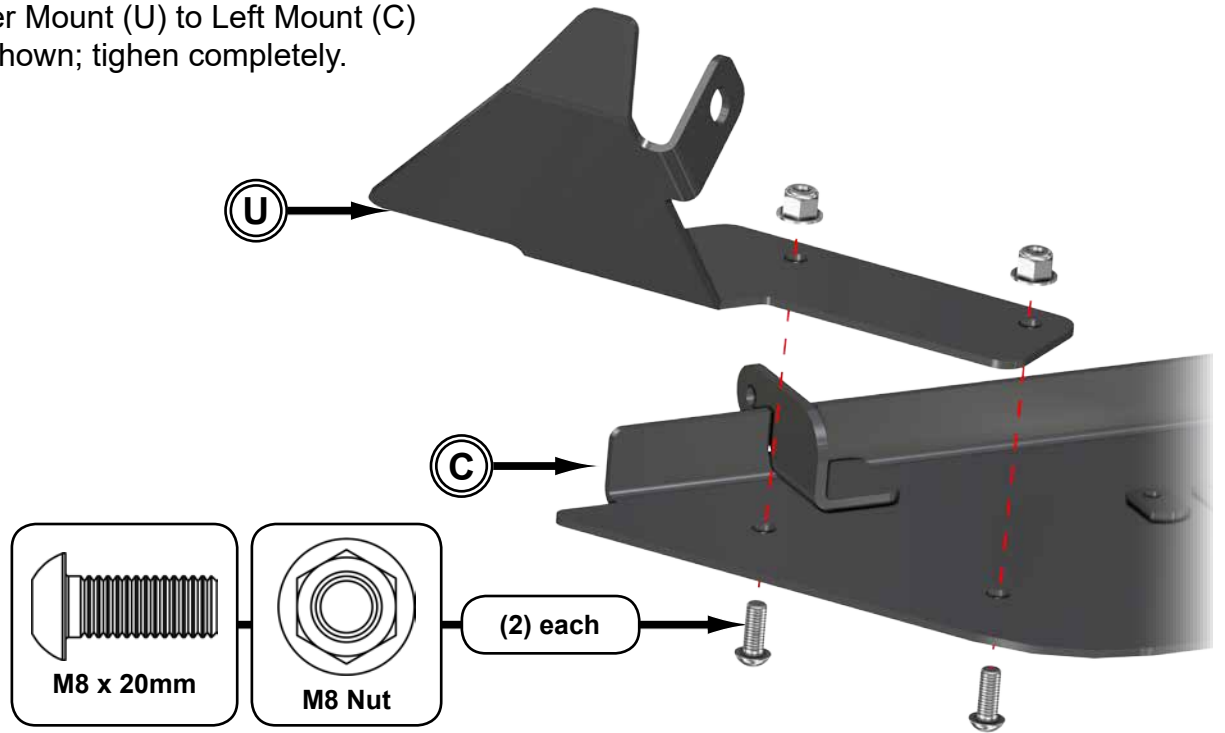
- Secure Left Fender Bracket (M) to Bed Bracket (G) with hardware shown; tighten completely.



- Secure Left Fender Bracket (M) to Fender Bracket Brace (P) with hardware shown; tighten completely.



- Install Left Upper Mount (U) to Left Mount (C) with hardware shown; tighten completely.

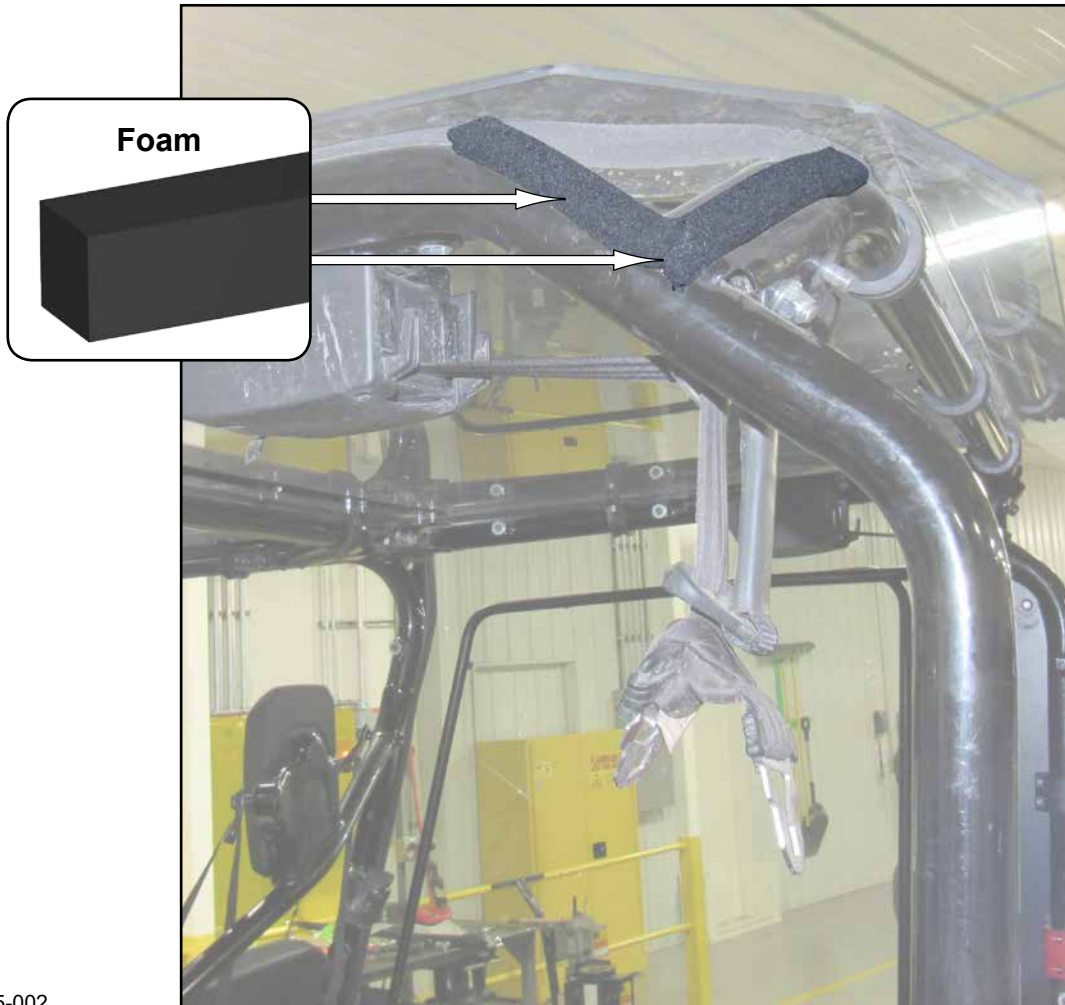


- Install Foam to Left Mount (C) in locations shown.

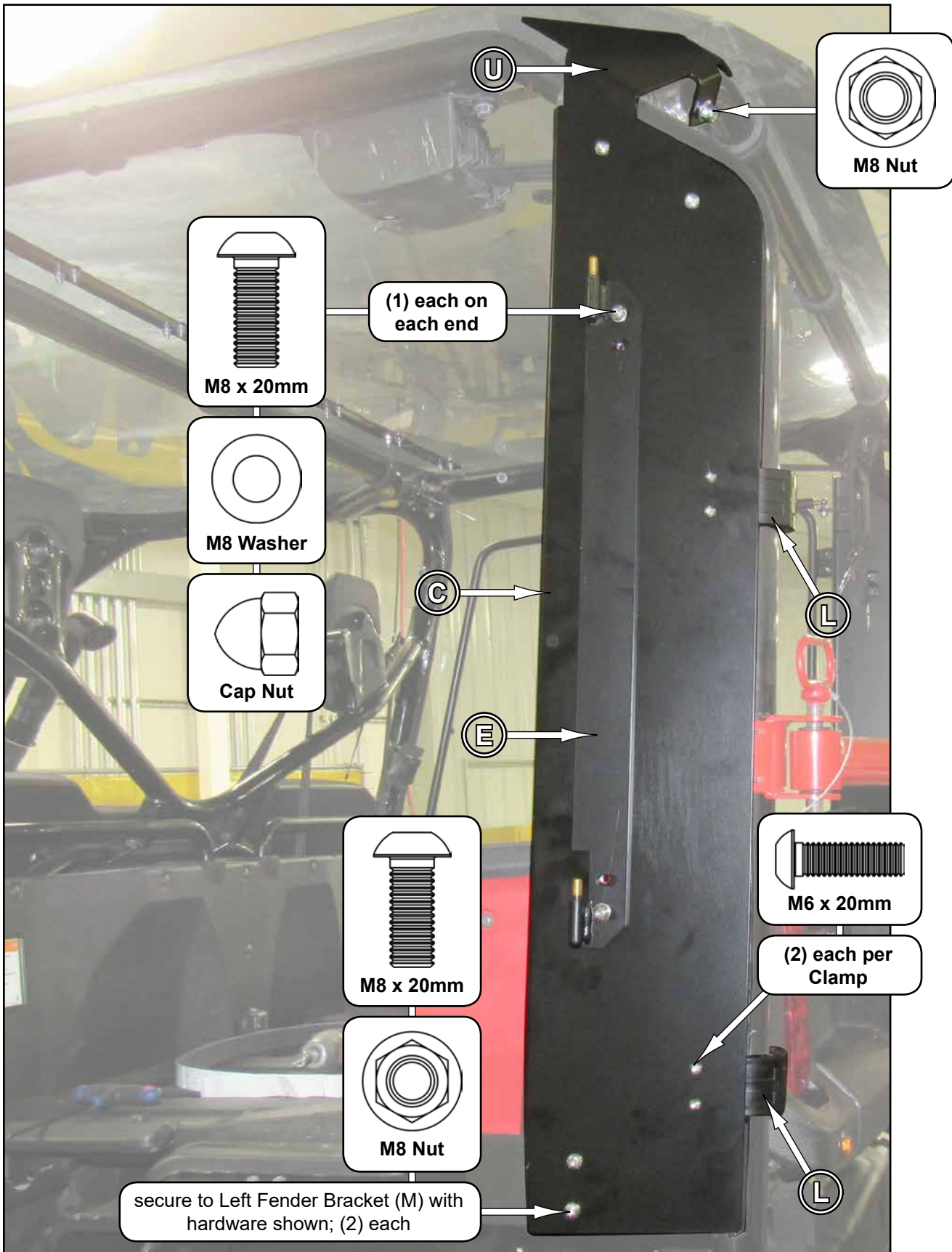




- Install Foam to Cage in locations shown.



- Install Left Mount (C) to Cage and secure Left Upper Mount (U) with provided Nut.
- Install Clamps (L) to Cage with hardware shown; secure to Left Mount (C) with hardware shown.
- Tighten hardware completely.
- Install Left Hinge Mount (E) to Left Mount (C) with hardware shown; **do not tighten hardware**.



- Install Foam to Cage as shown.



- Install Left Striker (J) with stock hardware; **do not tighten hardware.**



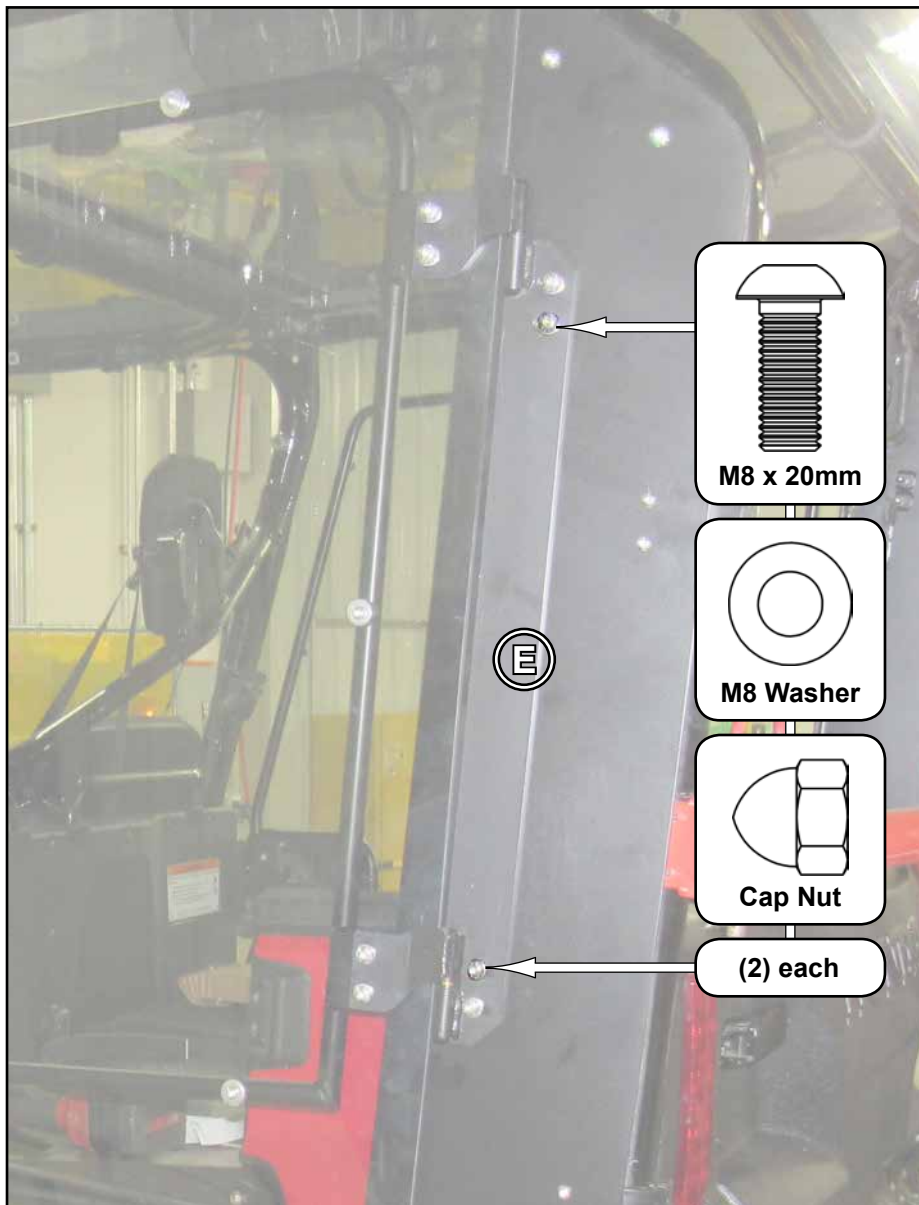
- Install Left Door (A) to Left Hinge Mount (E).



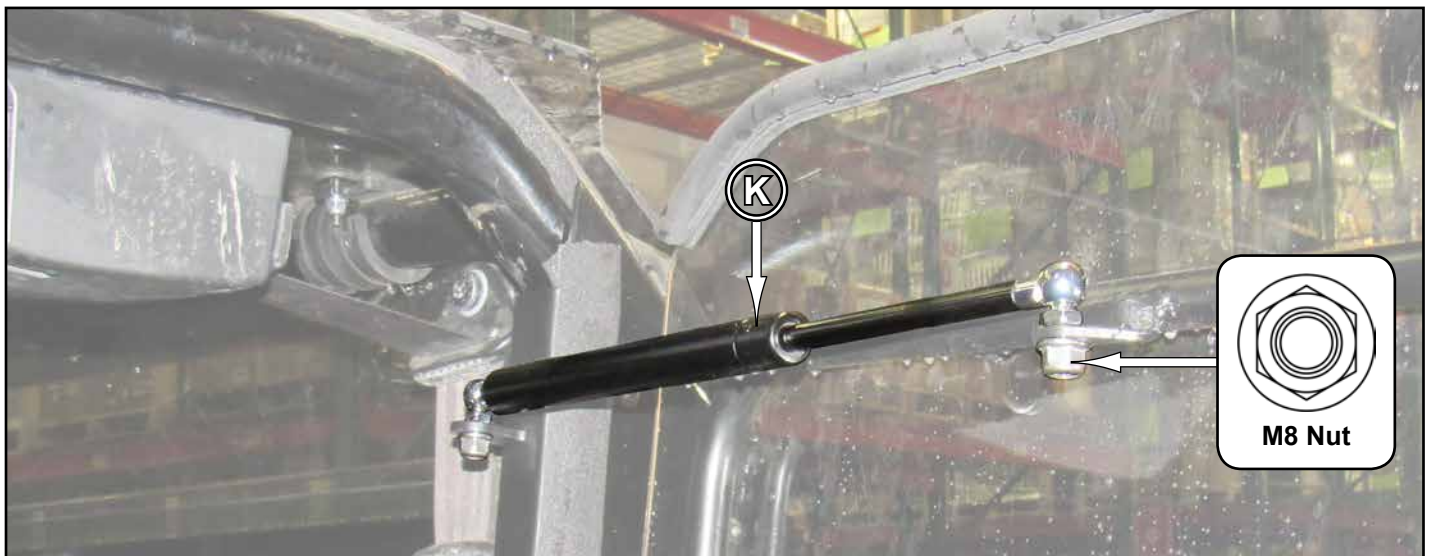
- Loosen hardware shown below and close Left Door (A)
- Engage Latch and Left Striker (J).
- Align Door to machine.
- Tighten Left Striker (J) hardware first followed by Hinge hardware and Left Hinge Mount (E) hardware.



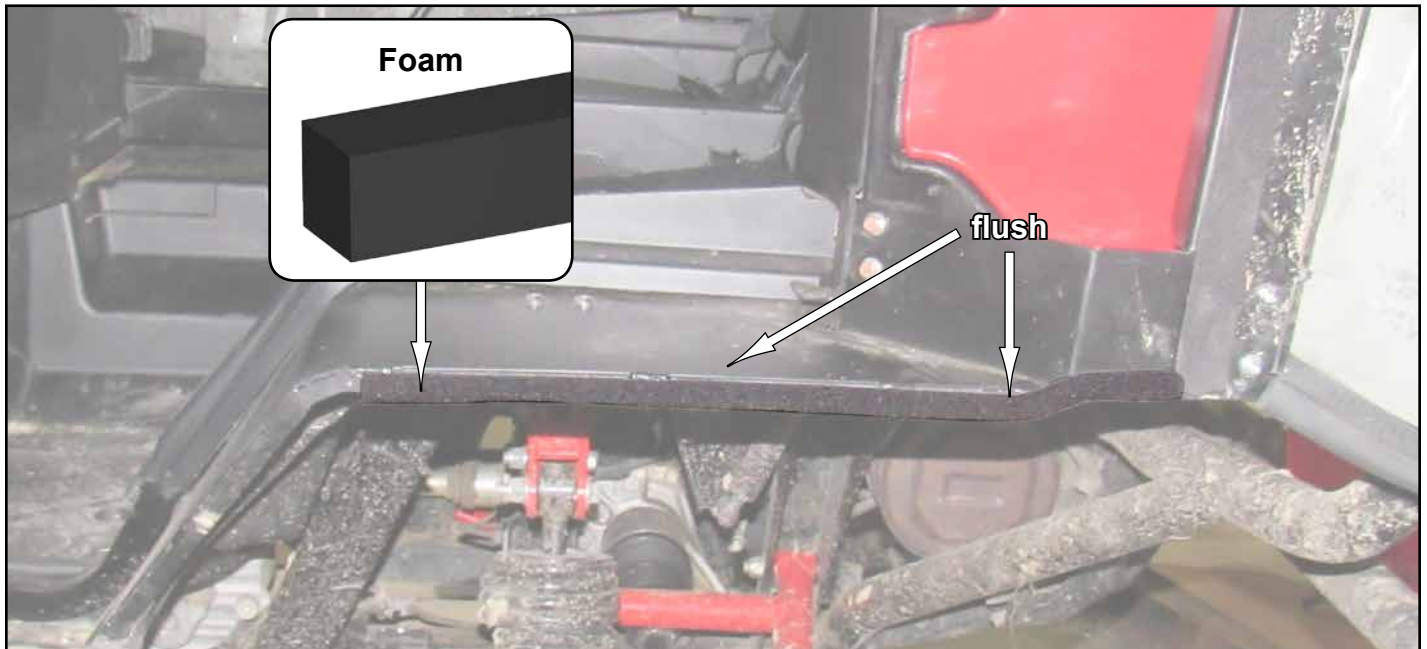
- Install remaining hardware shown to Left Hinge Mount (E); tighten completely.



- Install to Gas Strut (K) to Left Mount (C) and Left Door (A) with hardware shown.



- Place a piece of Foam (approximately 17" lg.) to side of Left Fender Bracket (M).



- Follow under side of Left Fender Bracket (M) and trim Foam.



- Repeat steps for right side door installation.

Liability Statement

SuperATV's® products are designed to best fit user's ATV/UTV under stock conditions. Adding, modifying, or fabricating any factory or aftermarket parts will void any warranty provided by SuperATV® and is not recommended. SuperATV's® products could interfere with other aftermarket accessories. If user has aftermarket products on machine, contact SuperATV® to verify that they will work together.

Although SuperATV® has thousands of satisfied customers, user should be aware that installing lift kits, long travel, or suspension kits, tires, etc. will change the ride of machine and may increase maintenance and part wear. Operating any off-road machine while, or after, consuming alcohol and/or drugs increases risk of bodily harm or death. No warranty or representation is made as to this product's ability to protect user from severe injury or death. SuperATV® urges operators and occupants to wear a helmet and appropriate riding gear at all times.

By purchasing and installing SuperATV® products, user agrees that should damages occur, SuperATV® will not be held responsible for loss of time, use, labor fees, replacement parts, or freight charges. SuperATV®, nor any 3rd party, will not be held responsible for any direct, indirect, incidental, special, or consequential damages that result from any product purchased from SuperATV®. The total liability of seller to user for all damages, losses, and causes of action, if any, shall not exceed the total purchase price paid for the product that gave rise to the claim.

SuperATV® will warranty only parts provided by SuperATV®. Any damage or problems with OEM housings, bearings, seals, or other manufacturers' products will not be covered by SuperATV®. SuperATV® parts and products are not warranted if item was not installed properly, misused, or modified.

Installing, adding, modifying, or fabricating any factory or aftermarket product to your ATV/UTV may violate certain local, state, and federal laws. Be advised that laws vary depending on town, city, county, state, etc. Use of certain products on public streets, roads, or highways may be in violation law. The Buyer is solely and exclusively legally and personally responsible for any violation of the law by the installation or use of the product. You must abide by all local, state, and federal laws, including but not limited to vehicle safety, traffic laws, and ordinances. It is your responsibility to know the laws and how they apply to you.

The Buyer is responsible to fully understand the capability and limitations of his/her vehicle according to manufacturer specifications, warnings and instructions and agrees to hold SuperATV® harmless from any damage resulting from failure to adhere to such specifications, warnings and/ or instructions. The Buyer is also responsible to obey all applicable federal, state, and local laws and ordinances when operating his/her vehicle while using this product, and the Buyer agrees to hold SuperATV® harmless from any violation thereof.