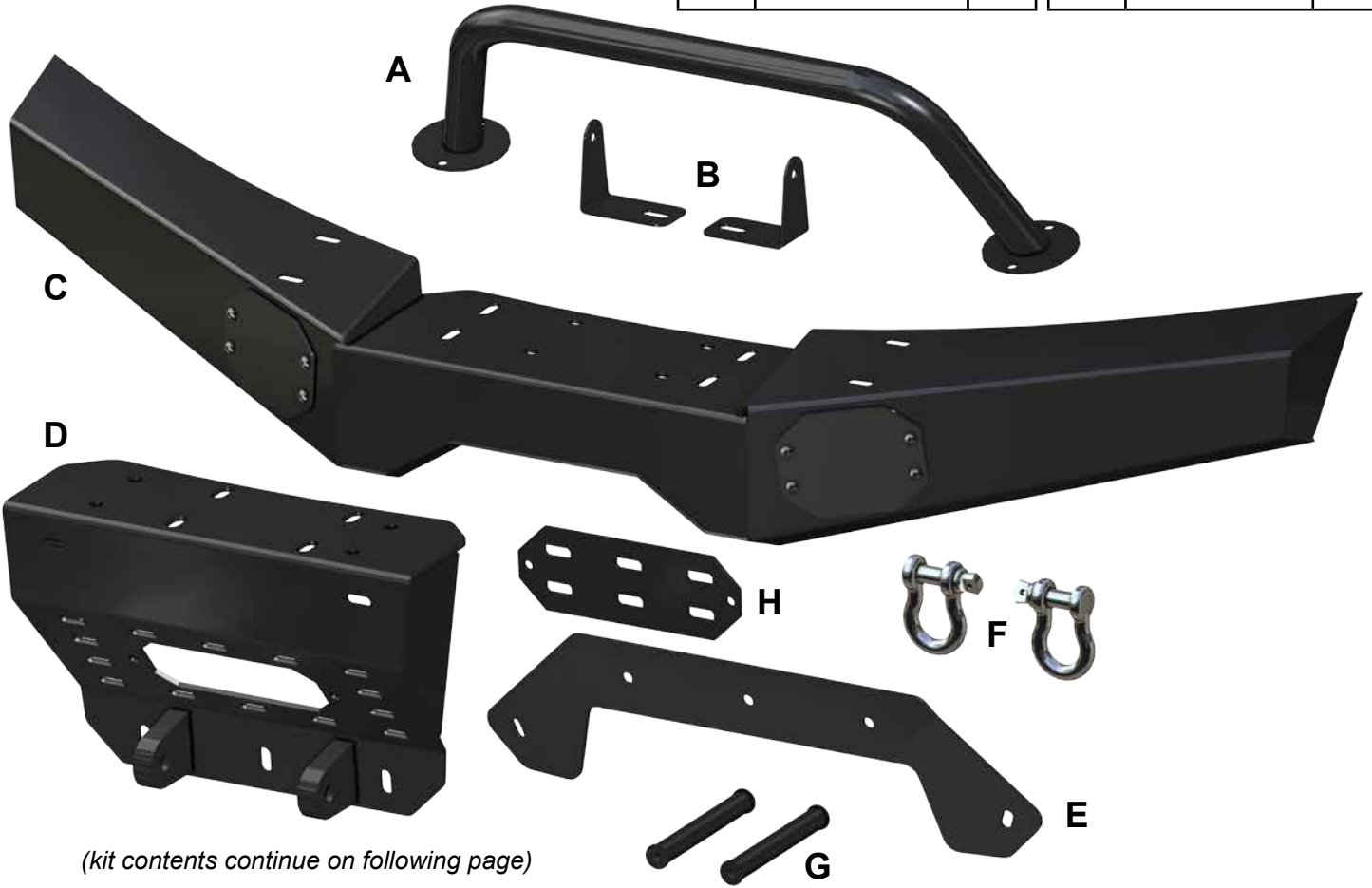


**INSTALLATION INSTRUCTIONS**  
**Front Brush Guard: for Can-Am Defender**

Item	Description	Qty	Item	Description	Qty
A	Cross Tube	1	E	Mount Plate	1
B	Light Bracket	2	F	D-Ring	2
C	Brush Guard	1	G	Mount Tube	2
D	Mount Frame	1	H	Cover	1



*(kit contents continue on following page)*

**Need help with your installation?**

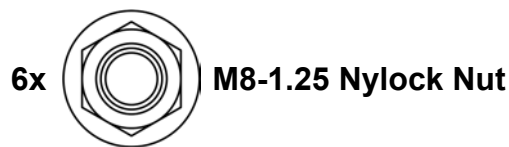
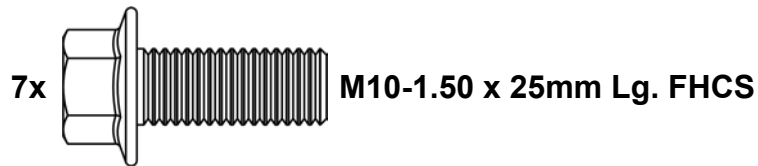
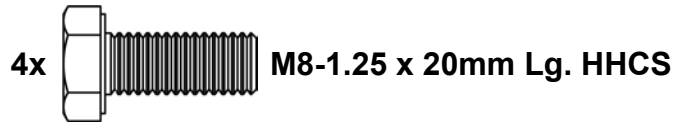
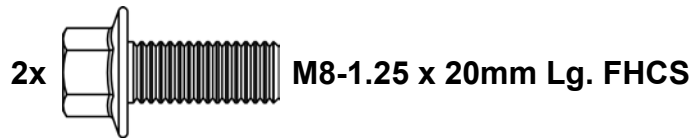
✉ sales@superatv.com    🖥 www.superatv.com

☎ 1-855-743-3427    🕒 8:00am - 9:00pm EST M-Th  
 8:00am - 7:00pm EST Friday  
 9:00am - 2:00pm EST Saturday

*Read instructions and view illustrations before beginning.*

*Thank You  
 For Choosing*  
**SUPERATV**.COM<sup>®</sup>

(kit contents continued)



#### Liability Statement

SuperATV's® products are designed to best fit user's ATV/UTV under stock conditions. Adding, modifying, or fabricating any factory or aftermarket parts will void any warranty provided by SuperATV® and is not recommended. SuperATV's® products could interfere with other aftermarket accessories. If user has aftermarket products on machine, contact SuperATV® to verify that they will work together.

Although SuperATV® has thousands of satisfied customers, user should be aware that installing lift kits, long travel, or suspension kits, tires, etc. will change the ride of machine and may increase maintenance and part wear. Operating any off-road machine while, or after, consuming alcohol and/or drugs increases risk of bodily harm or death. No warranty or representation is made as to this product's ability to protect user from severe injury or death. SuperATV® urges operators and occupants to wear a helmet and appropriate riding gear at all times.

By purchasing and installing SuperATV® products, user agrees that should damages occur, SuperATV® will not be held responsible for loss of time, use, labor fees, replacement parts, or freight charges. SuperATV®, nor any 3rd party, will not be held responsible for any direct, indirect, incidental, special, or consequential damages that result from any product purchased from SuperATV®. The total liability of seller to user for all damages, losses, and causes of action, if any, shall not exceed the total purchase price paid for the product that gave rise to the claim.

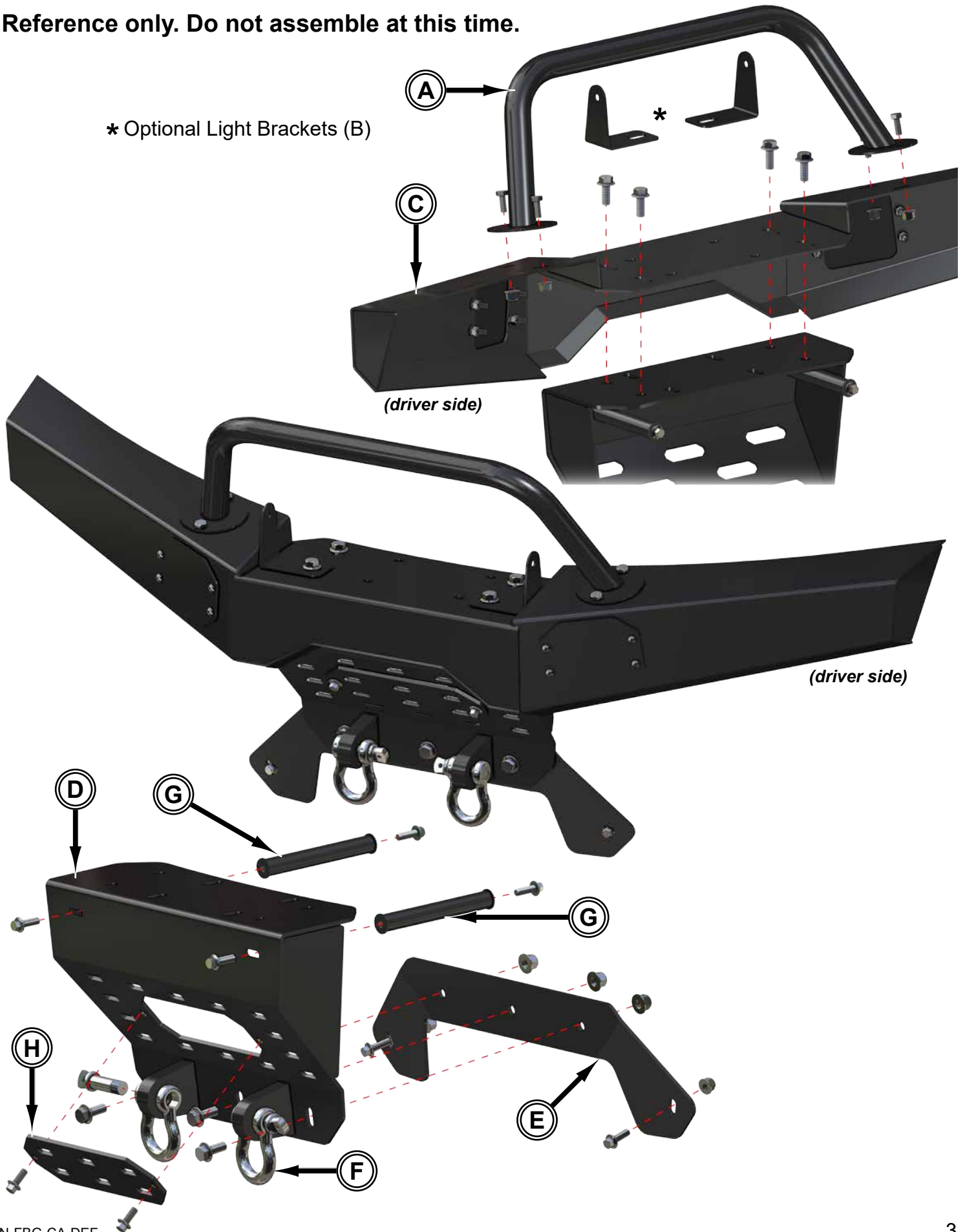
SuperATV® will warranty only parts provided by SuperATV®. Any damage or problems with OEM housings, bearings, seals, or other manufacturers' products will not be covered by SuperATV®. SuperATV® parts and products are not warrantied if item was not installed properly, misused, or modified.

Installing, adding, modifying, or fabricating any factory or aftermarket product to your ATV/UTV may violate certain local, state, and federal laws. Be advised that laws vary depending on town, city, county, state, etc. Use of certain products on public streets, roads, or highways may be in violation law. The Buyer is solely and exclusively legally and personally responsible for any violation of the law by the installation or use of the product. You must abide by all local, state, and federal laws, including but not limited to vehicle safety, traffic laws, and ordinances. It is your responsibility to know the laws and how they apply to you.

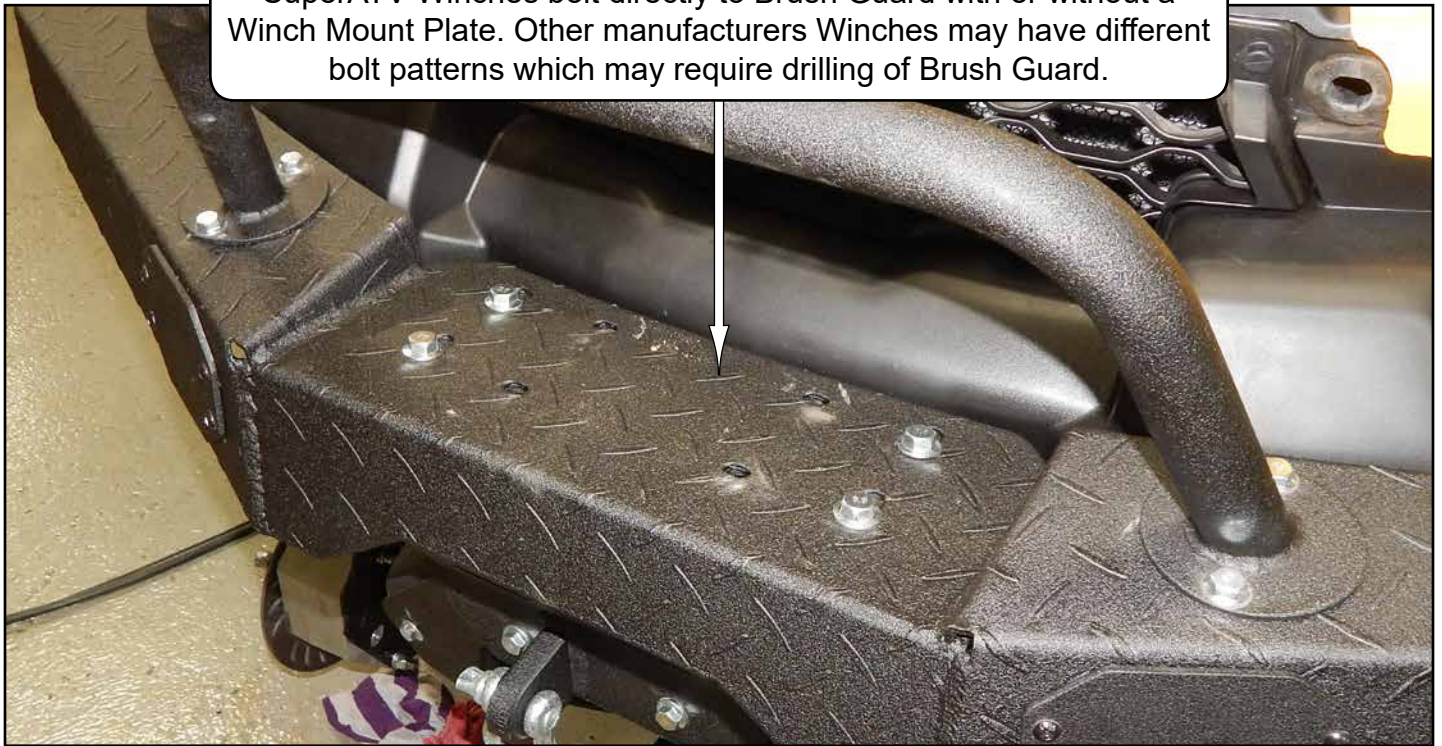
The Buyer is responsible to fully understand the capability and limitations of his/her vehicle according to manufacturer specifications, warnings and instructions and agrees to hold SuperATV® harmless from any damage resulting from failure to adhere to such specifications, warnings and/ or instructions. The Buyer is also responsible to obey all applicable federal, state, and local laws and ordinances when operating his/her vehicle while using this product, and the Buyer agrees to hold SuperATV® harmless from any violation thereof.

Reference only. Do not assemble at this time.

\* Optional Light Brackets (B)



SuperATV Winches bolt directly to Brush Guard with or without a Winch Mount Plate. Other manufacturers Winches may have different bolt patterns which may require drilling of Brush Guard.

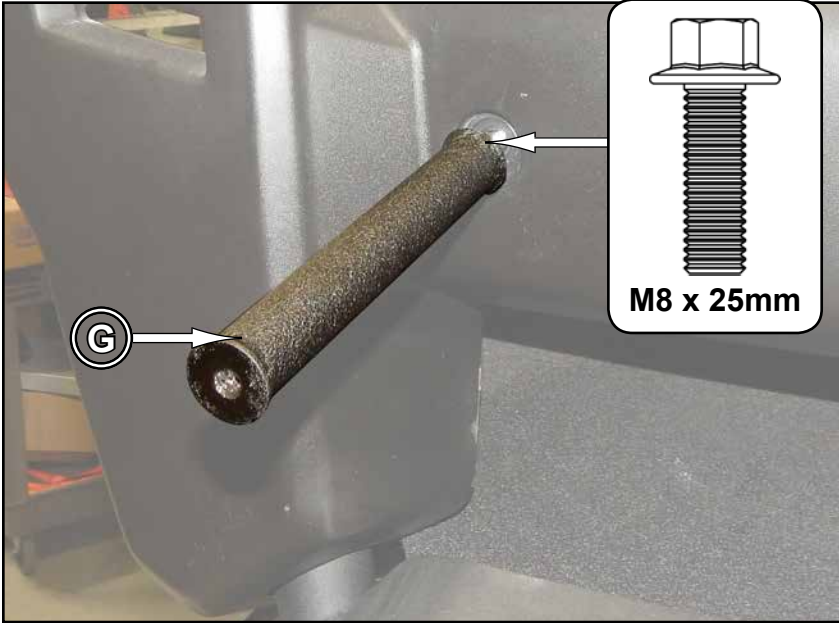


- Keep all components removed from machine.

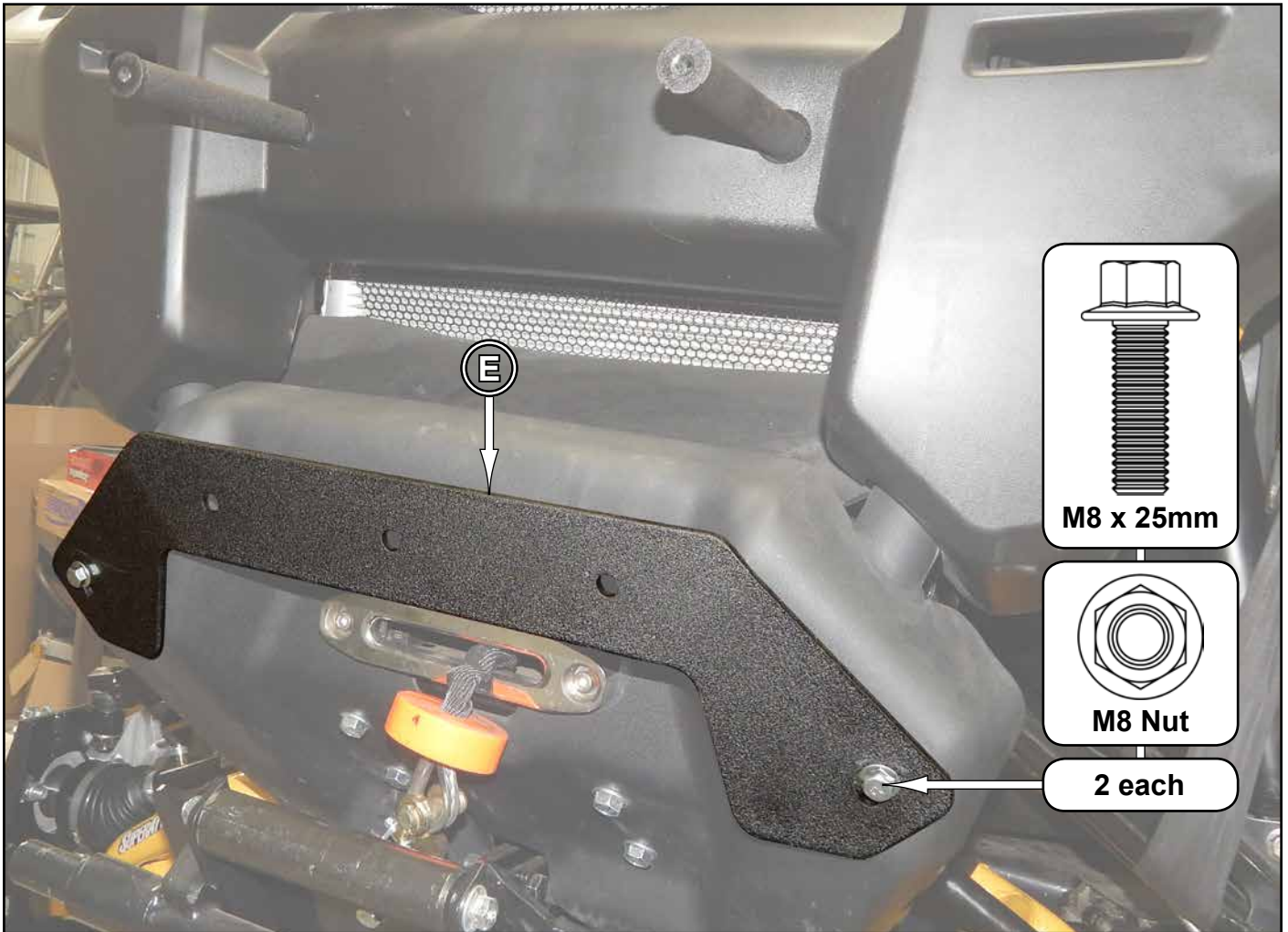


*Do not tighten hardware completely unless noted.*

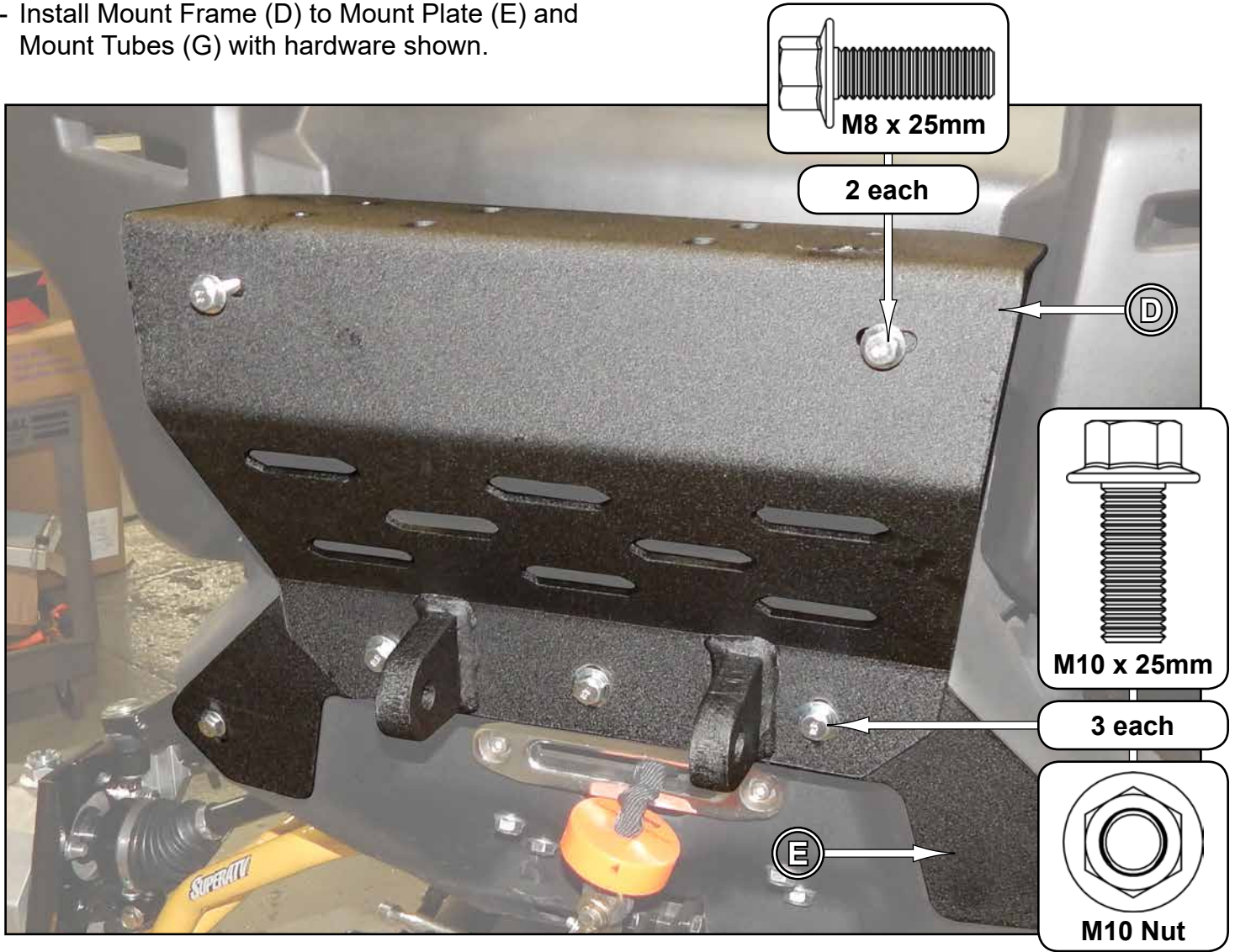
- Install Mount Tubes (G) to machine with hardware shown.
- Tighten all hardware completely.



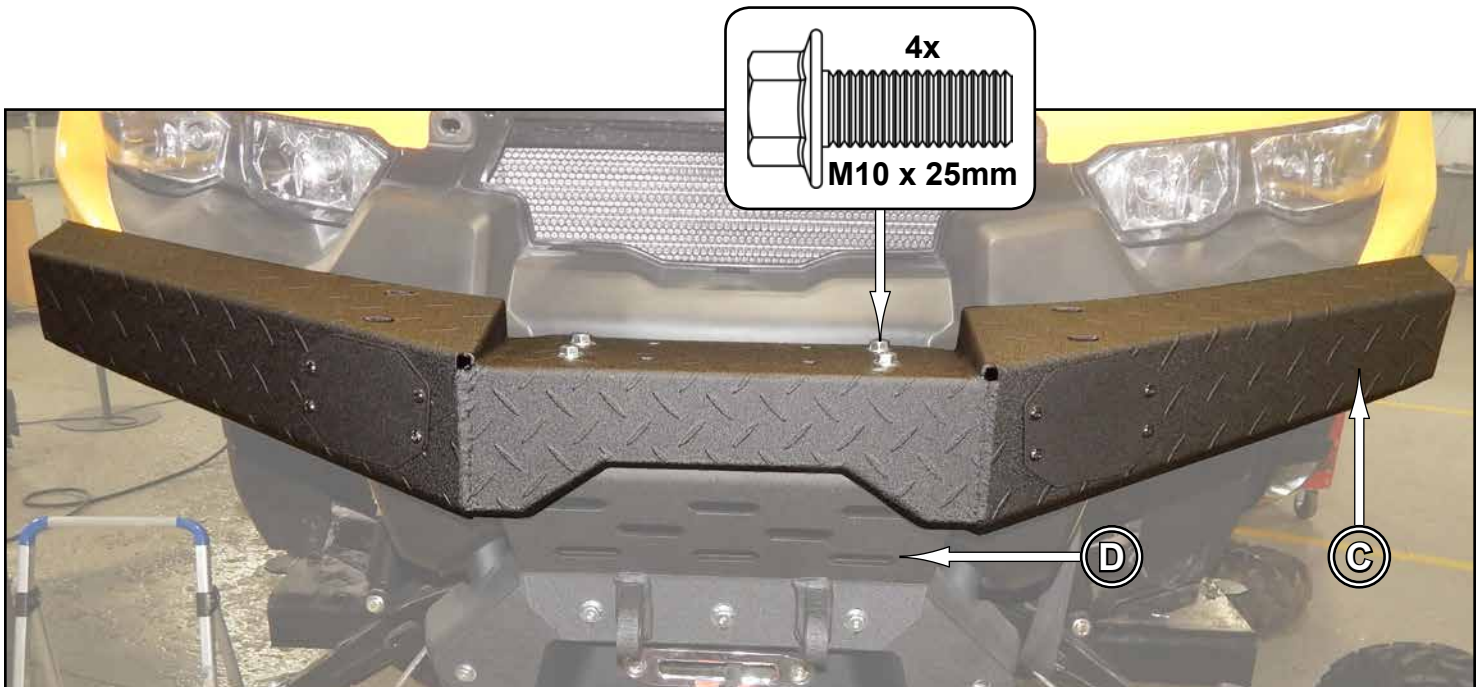
- Install Mount Plate (E) to machine with hardware shown.



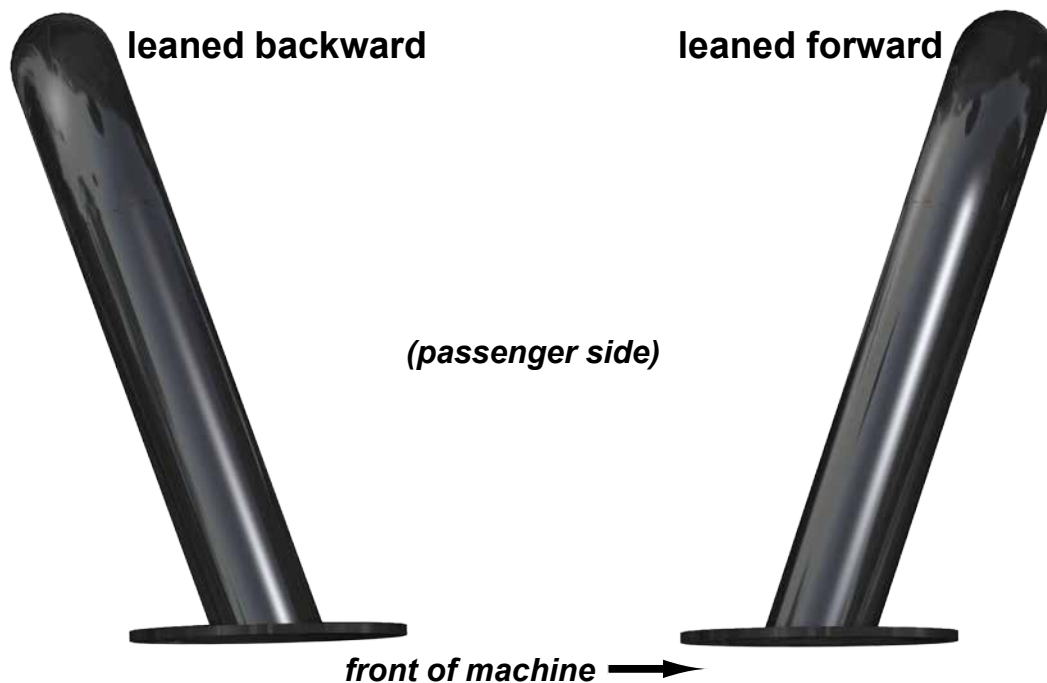
- Install Mount Frame (D) to Mount Plate (E) and Mount Tubes (G) with hardware shown.



- Install Brush Guard (C) to Mount Frame (D) with hardware shown.



- Install Cross Tube (A) to Brush Guard (C) with hardware shown.
- Cross Tube (A) can be installed in either direction as shown below.
- Install D-Rings (F) to Mount Frame (D).

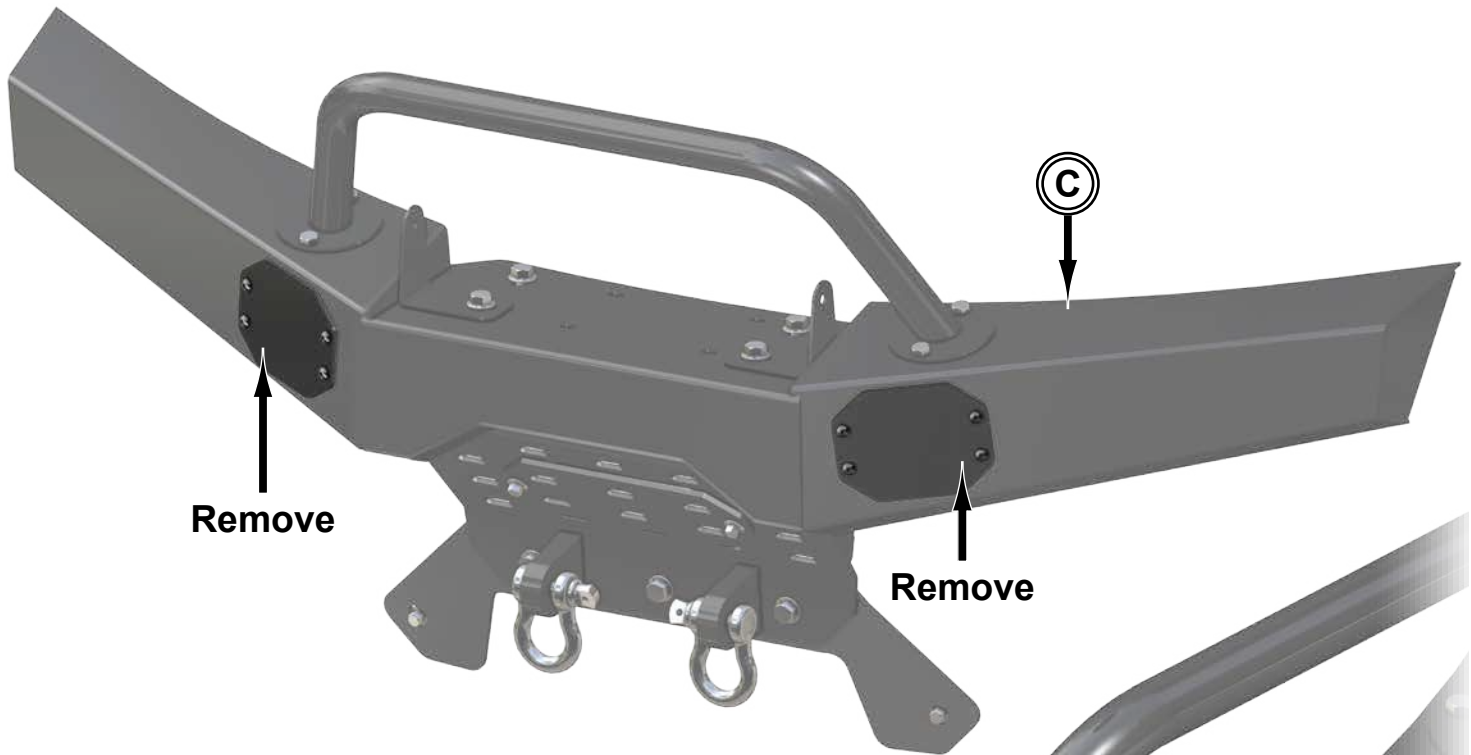


- Align assembly to machine and tighten all hardware completely.

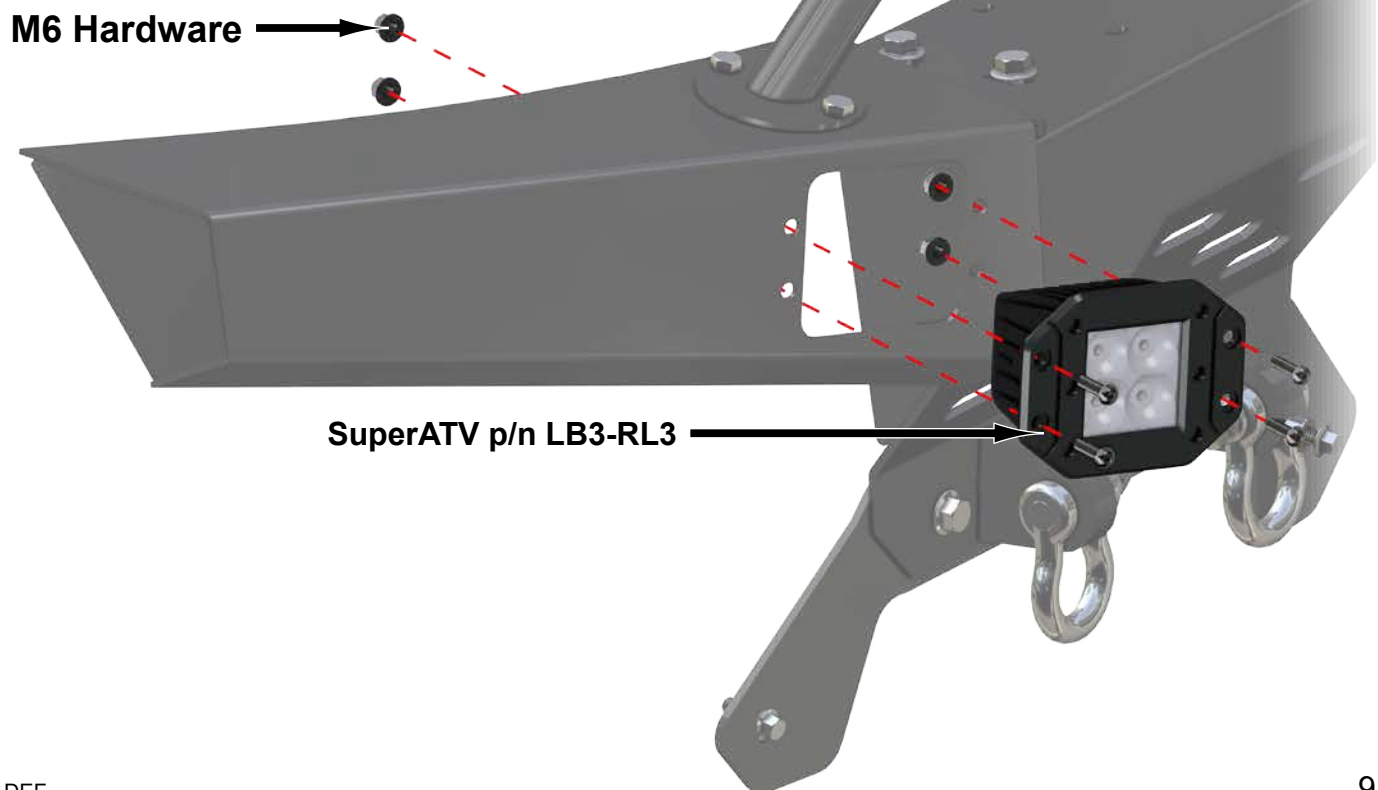


## **LB3-RL3 installation:**

- Remove Cover Plates from Brush Guard (C).
- Install SuperATV p/n LB3-RL3 LED Lights with previously removed M6 hardware.



*See IN-LB3-RL3 for wiring instructions.*

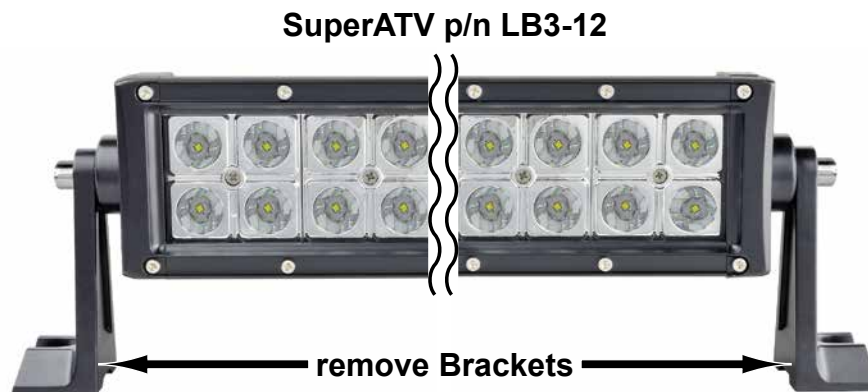


### **LB3-12 installation:**

- Install Light Brackets (B) to Brush Guard (C); reuse hardware that holds Brush Guard (C) to Mount Frame (D).



- Remove brackets and hardware from light bar.
- Install SuperATV p/n LB3-12 LED Light to Light Brackets (B) with previously removed LED hardware.



**See IN-LB3-12 for wiring instructions.**