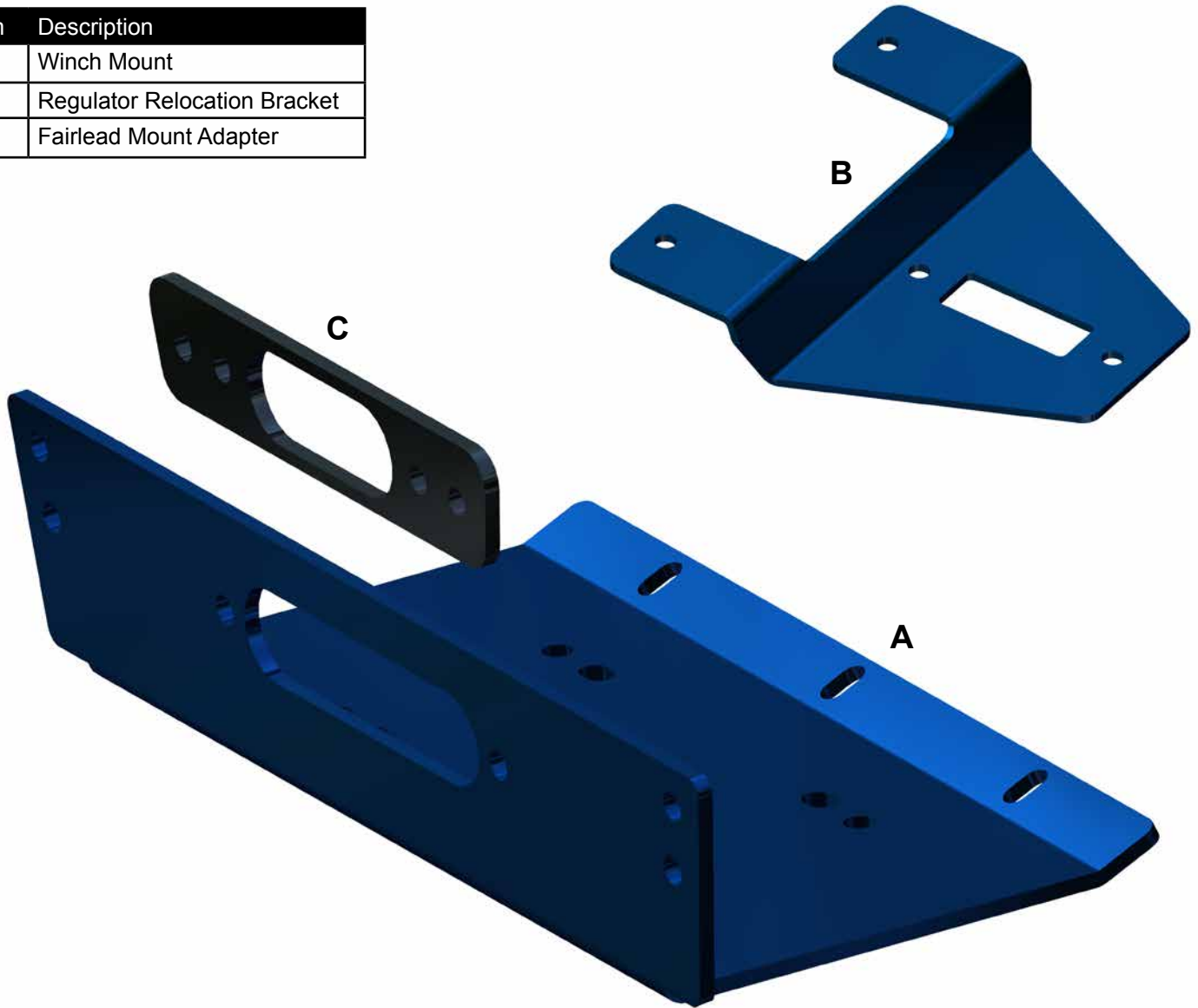


INSTALLATION INSTRUCTIONS
Polaris Ranger XP Winch Mount

Item	Description
A	Winch Mount
B	Regulator Relocation Bracket
C	Fairlead Mount Adapter



Winch not included; shown for illustration only

(kit contents continue on following page)

Need help with your installation?



sales@superatv.com



www.superatv.com



1-855-743-3427



8:00am - 9:00pm EST M-Th
 8:00am - 7:00pm EST Friday
 9:00am - 2:00pm EST Saturday

Read instructions and view illustrations before beginning.


*Thank You
 For Choosing*



Qty (2)  M8 x 25mm Lg. FHCS

Qty (5)  M8 x 20mm Lg. FHCS

Qty (2)  M6-1.0 x 25mm Lg. FHCS

Qty (2)  Spacers
(Ø19mm OD x Ø 13 ID x 10mm THK)

Qty (2)  M8-1.25 x 30mm Lg. FHCS

Qty (9)  M8-1.25 Nylock Nut

Qty (2)  M6-1.0 Nylock Nut

Do not tighten hardware completely unless noted. Keep all components removed from machine.

1. Remove Bumper and Grilles from machine. See Fig. 1.
2. Remove Regulator Bracket from machine. See Fig. 2.
 - Remove Regulator and install to Regulator Relocation Bracket (B) with M6-1.0 x 25mm Lg. FHCS and M6-1.0 Nylock Nuts. See Figs. 2a - 3a.
 - Install Regulator Relocation Bracket (B) to machine with stock hardware. See Fig. 3a.
3. Install Winch Mount (A) to machine with M8-1.25 x 20mm Lg. FHCS and M8-1.25 Nylock Nuts. See Figs. 4 - 4a.
4. Install Winch to Winch Mount (A) *with hardware included with Winch*. See Fig. 5.

If installing to machine with SuperATV Front Brush Guard (FBG-P-RAN-09XP-DP) go to page 7.
5. Reinstall stock Bumper and Upper Grille with stock hardware. See Fig. 6 and 6b.
6. Secure Bumper to Winch Mount (A) with M8-1.25 x 20mm Lg. FHCS and M8-1.25 Nylock Nuts. See Fig. 6a.
7. Install Fairlead to Winch Mount (A); hardware and Fairlead included with Winch. See Fig. 7.
 - SuperATV 3500 Lb. Winch will require installation of Fairlead Mount Adapter (C) as shown in Fig. 8.
8. Tighten all hardware completely.



(illustrations continue on following pages)

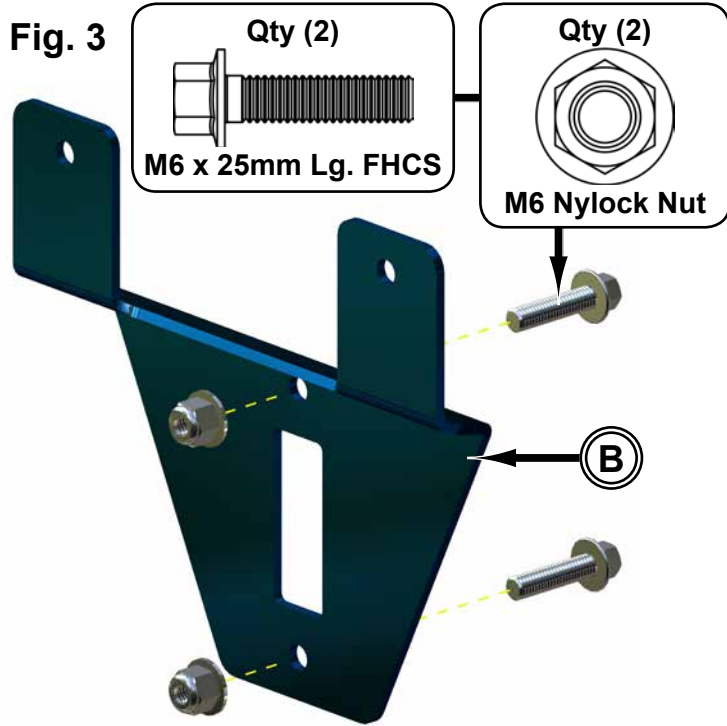
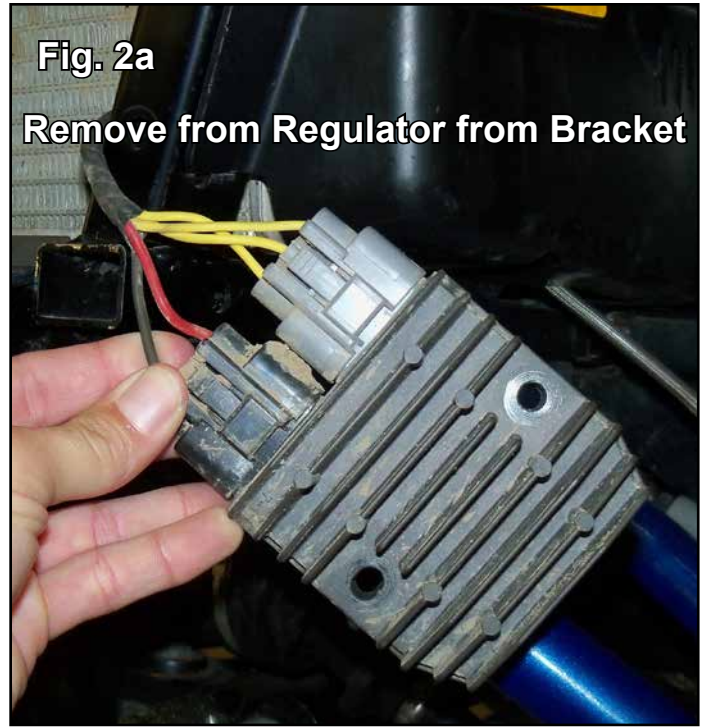


Fig. 4

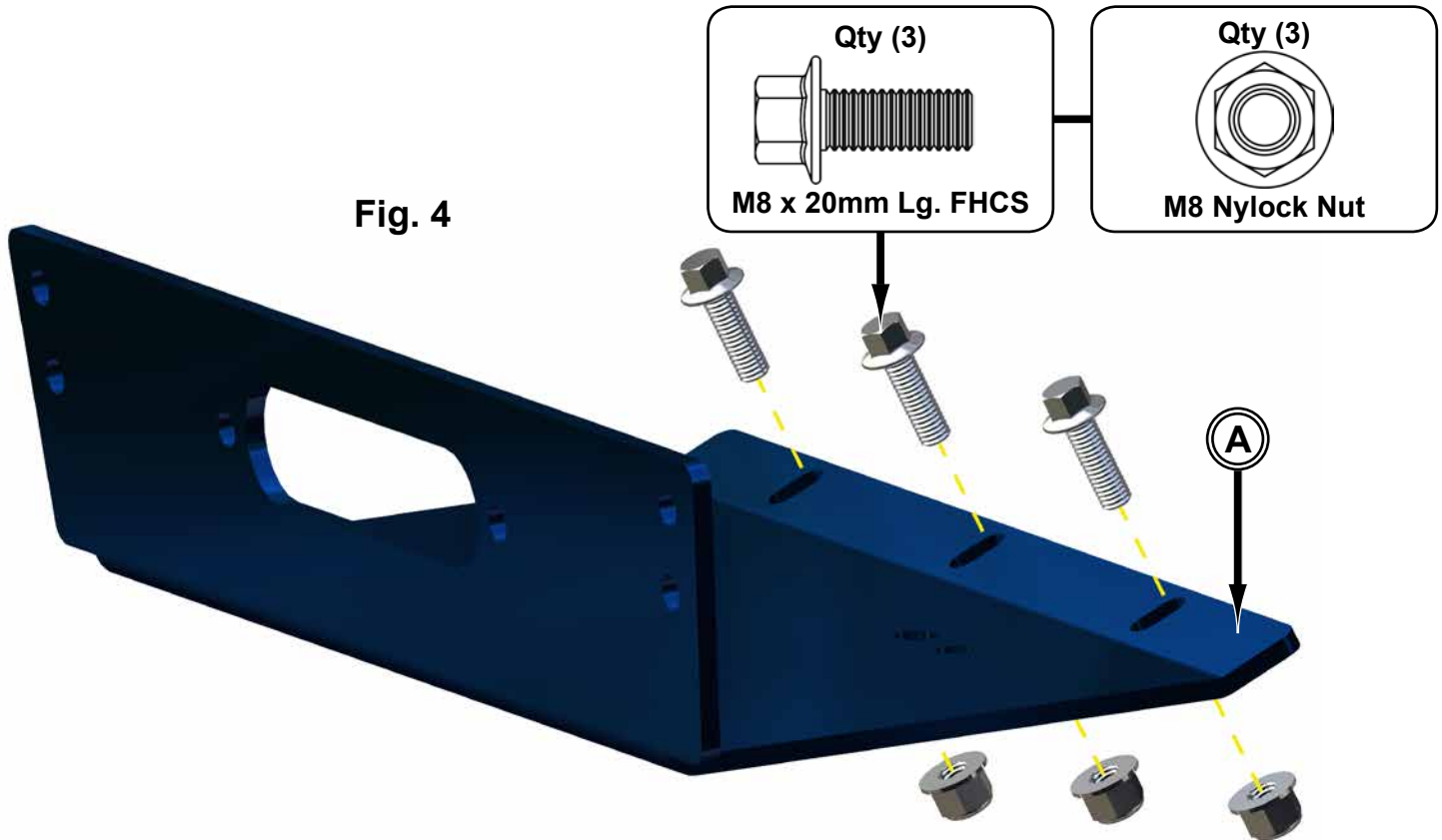


Fig. 5

SuperATV Winch, item #4500-W-N, shown.



install Winch to Winch Mount (A); hardware included with Winch

Fig. 6

stock hardware

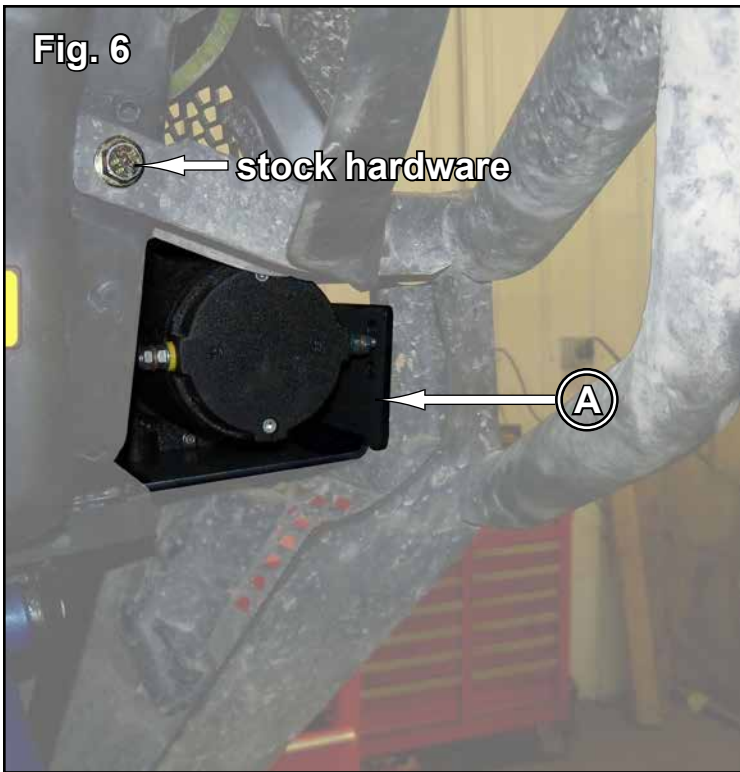


Fig. 6a

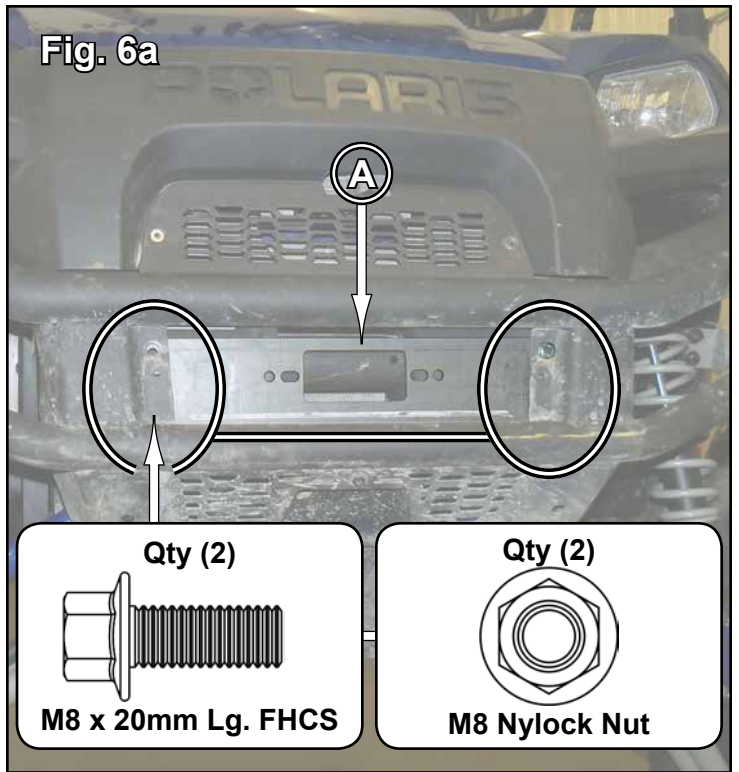


Fig. 6b

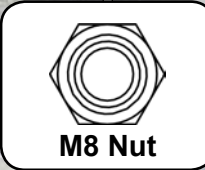
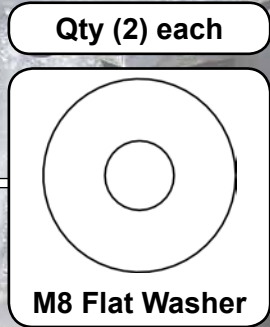
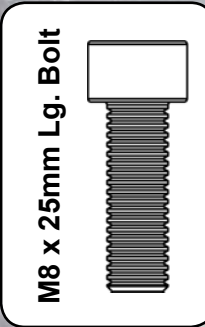
stock hardware



Fig. 7

Fairlead for SuperATV Winch, item #4500-W-N, shown

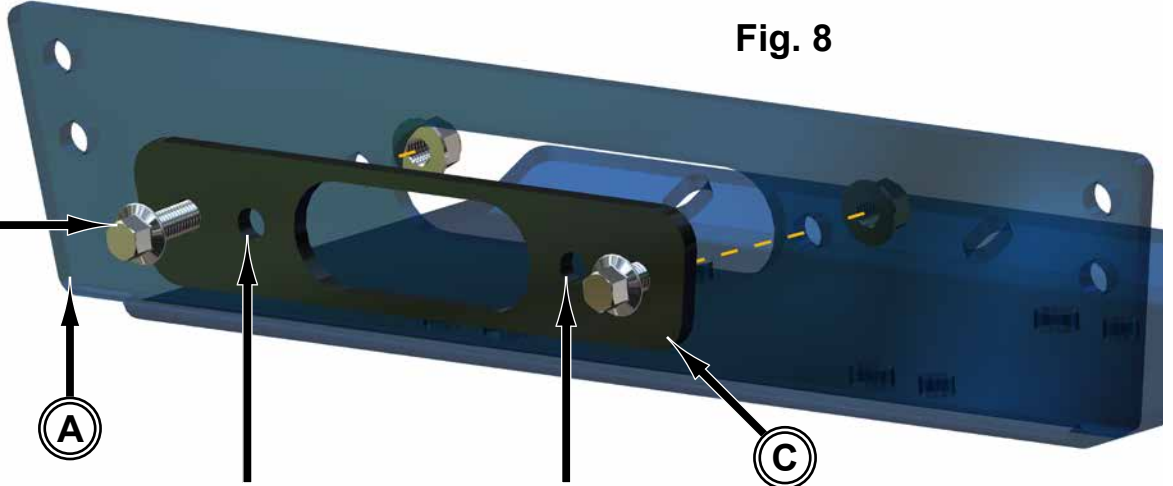
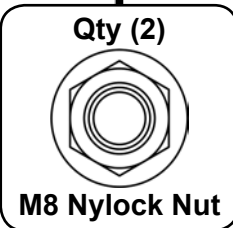
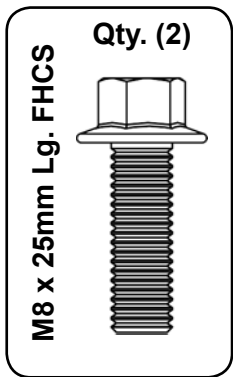
install Fairlead to Winch Mount (A);
hardware included with Winch



If stock Grille is going to be reinstalled, use
Fairlead as a template and cut stock Grille to fit.
Use stock hardware to secure Grille.

! If installing SuperATV 3500 Lb. Winch, install Fairlead Mount Adapter (C) as shown.

Fig. 8



install Fairlead to Winch Mount (A);
hardware included with Winch

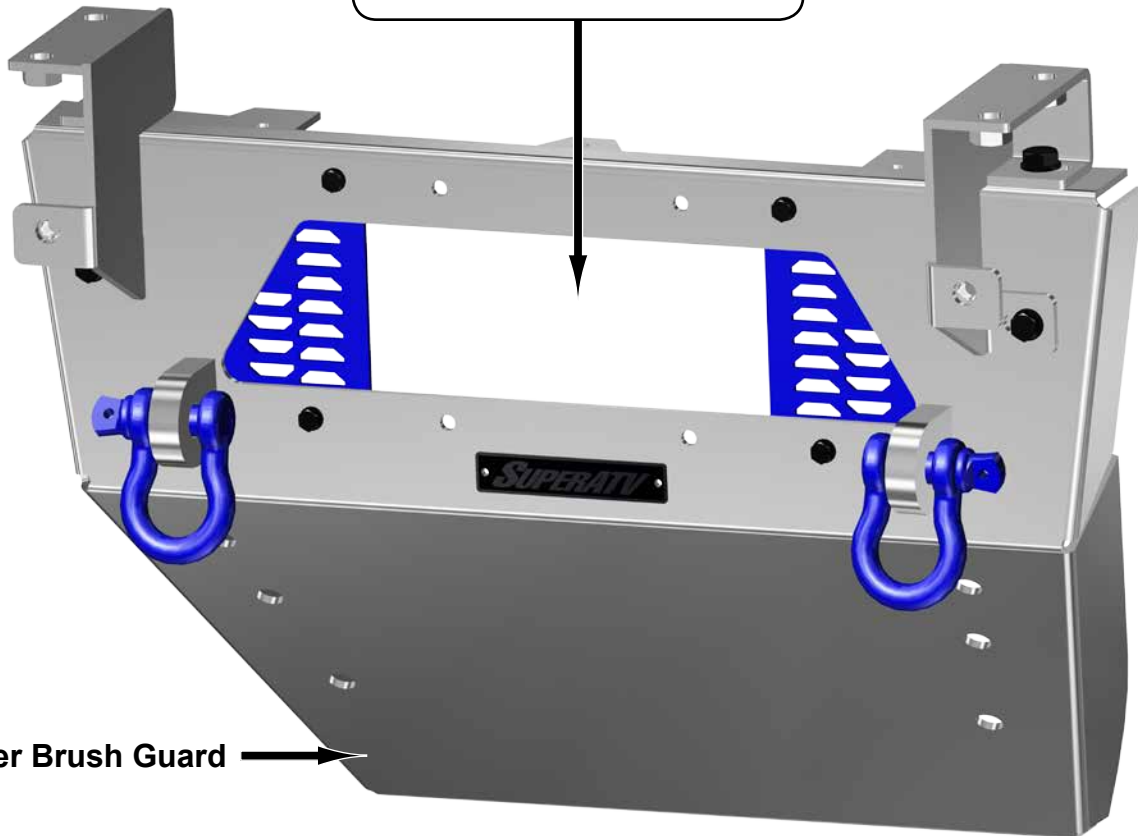
Polaris Ranger Front Brush Guard

SuperATV part number: FBG-P-RAN-09XP-DP

Brush Guard shown off machine for clarity only. Removal not required.



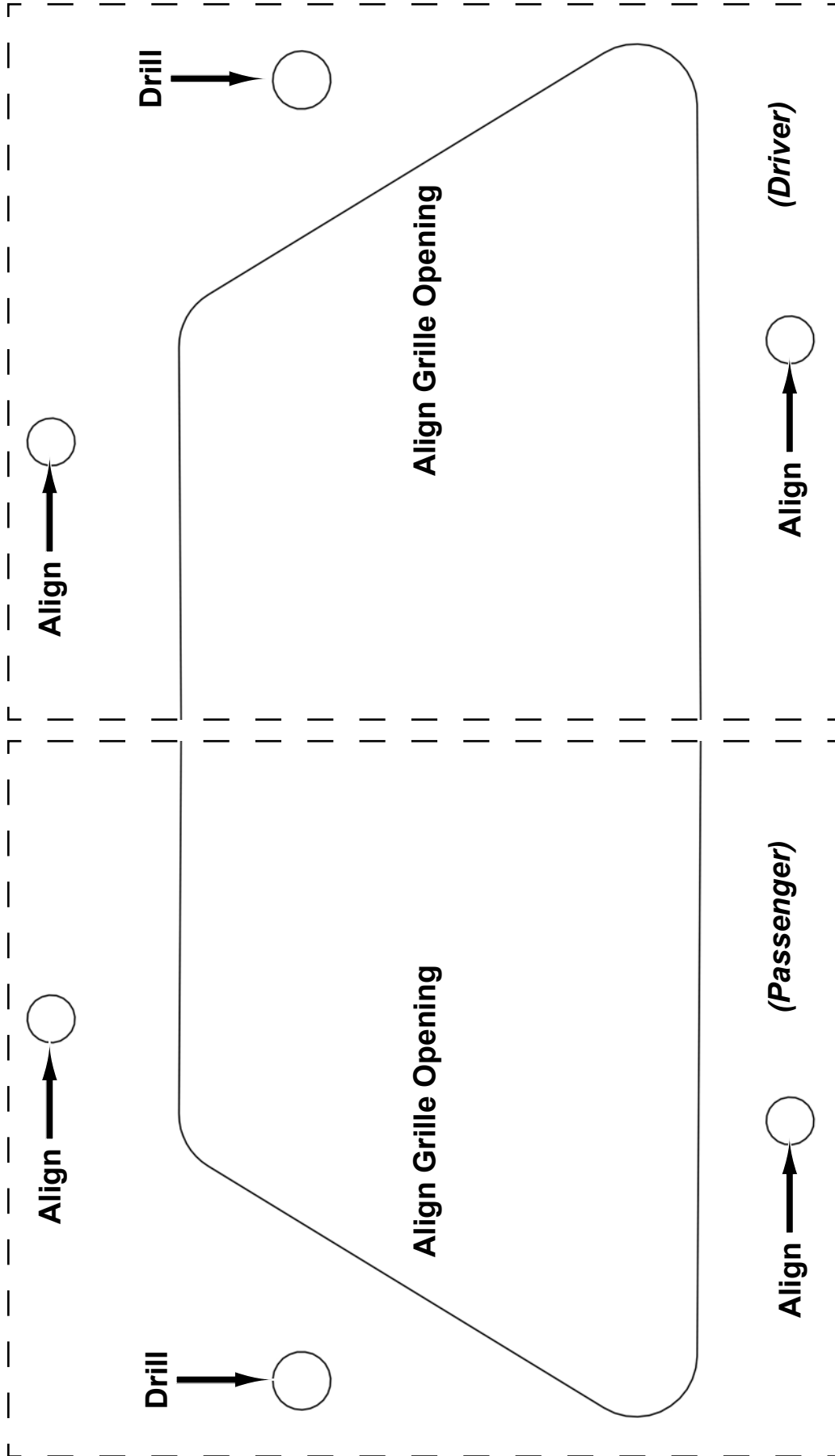
Remove Center Grille

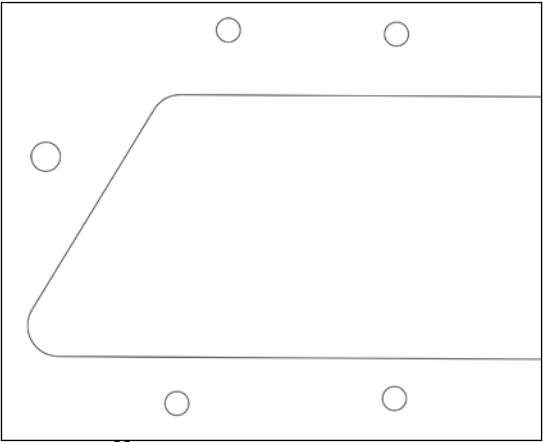


Lower Brush Guard →

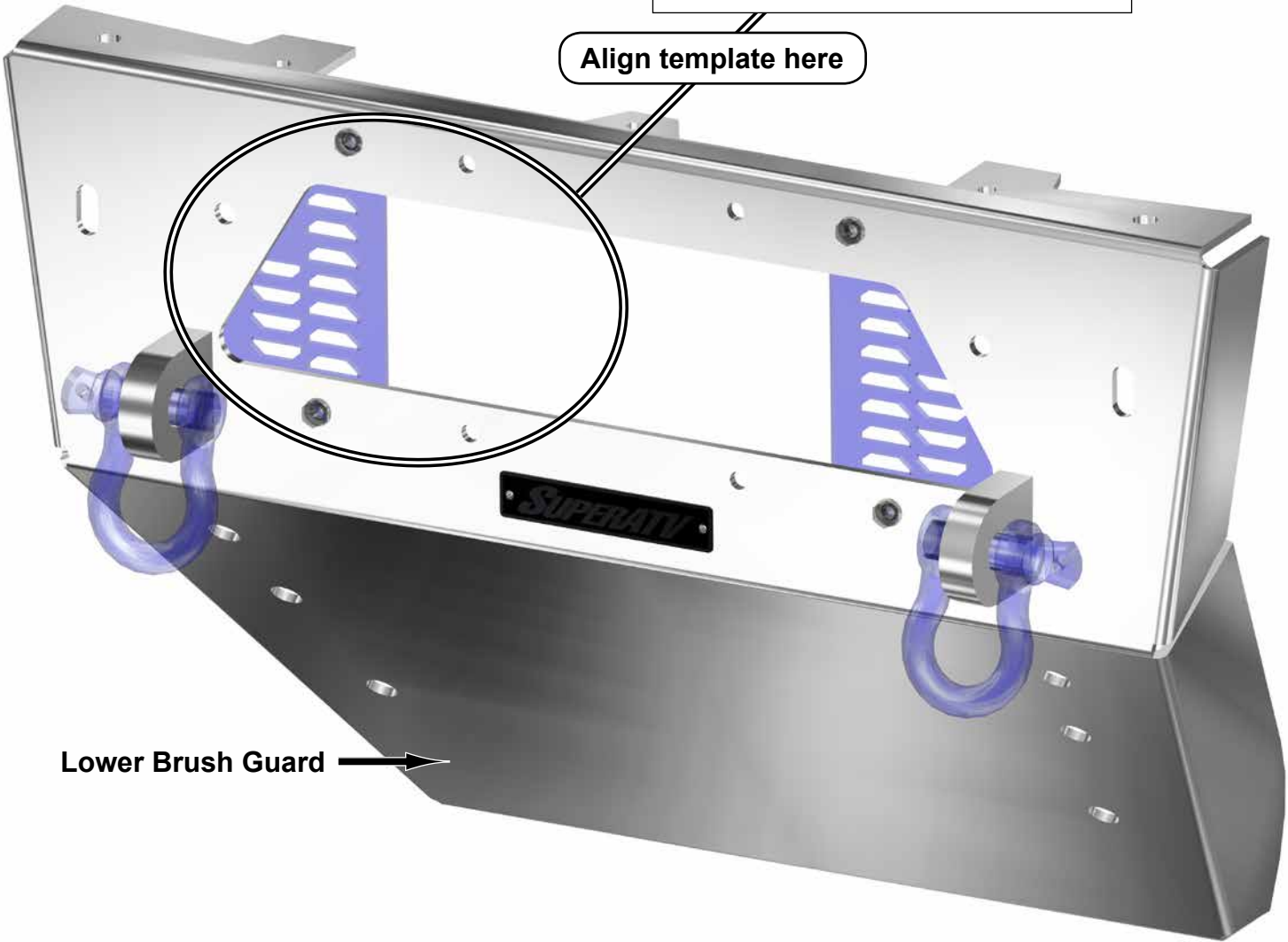
Brush Guard Drill Template

Cut out templates and align as noted. Drill holes into Lower Brush Guard as noted.





Align template here

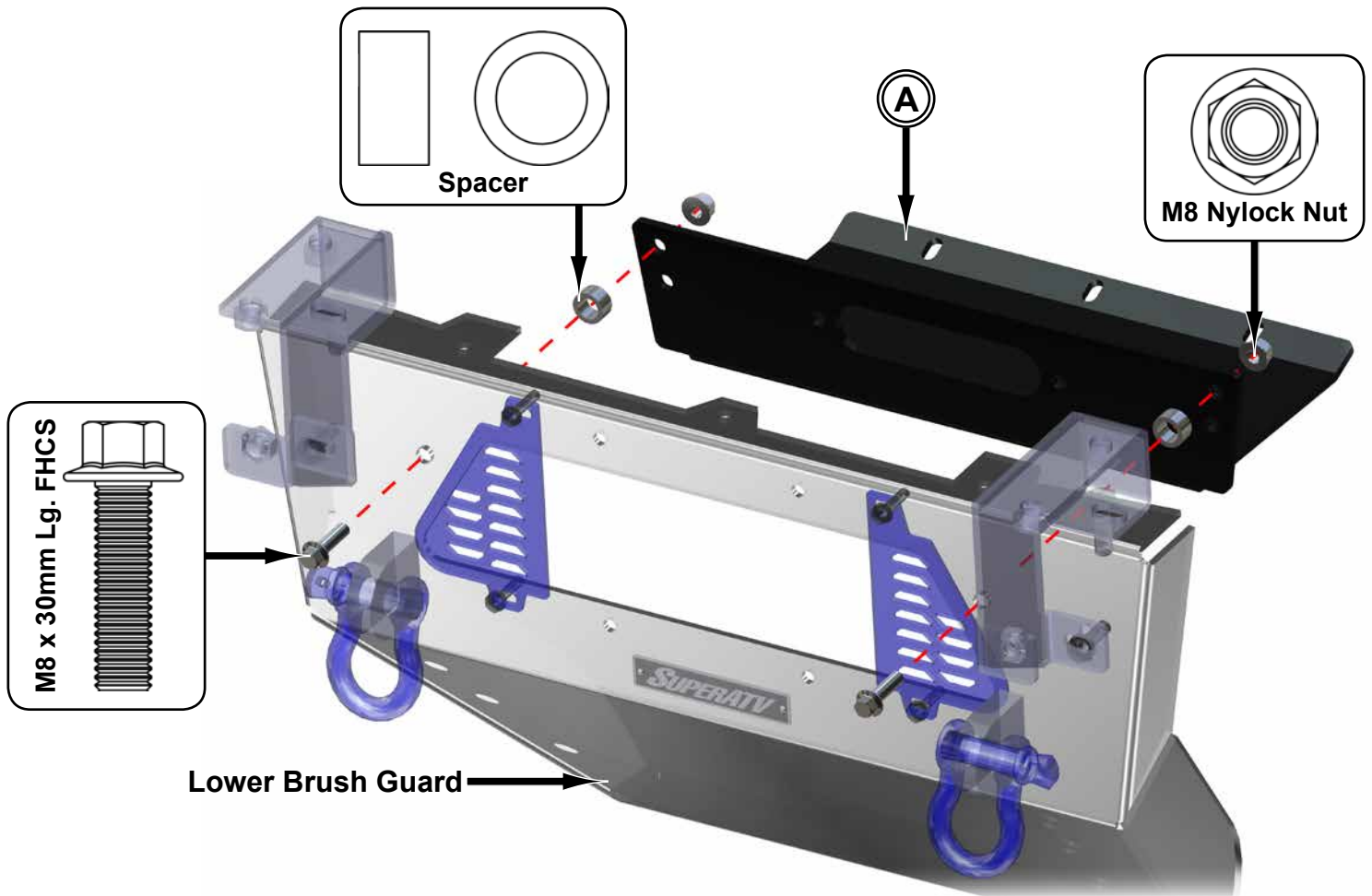


Lower Brush Guard →

(Winch and Fairlead not shown for clarity)



Secure Brush Guard to Winch Mount (A) with M8-1.25 x 30mm Lg. FHCS, Spacers, and M8-1.25 Nylock Nuts.



Return to Step 7, page 2, and Install Fairlead.

Liability Statement

SuperATV's® products are designed to best fit user's ATV/UTV under stock conditions. Adding, modifying, or fabricating any factory or aftermarket parts will void any warranty provided by SuperATV® and is not recommended. SuperATV's® products could interfere with other aftermarket accessories. If user has aftermarket products on machine, contact SuperATV® to verify that they will work together.

Although SuperATV® has thousands of satisfied customers, user should be aware that installing lift kits, long travel, or suspension kits, tires, etc. will change the ride of machine and may increase maintenance and part wear. Operating any off-road machine while, or after, consuming alcohol and/or drugs increases risk of bodily harm or death. No warranty or representation is made as to this product's ability to protect user from severe injury or death. SuperATV® urges operators and occupants to wear a helmet and appropriate riding gear at all times.

By purchasing and installing SuperATV® products, user agrees that should damages occur, SuperATV® will not be held responsible for loss of time, use, labor fees, replacement parts, or freight charges. SuperATV®, nor any 3rd party, will not be held responsible for any direct, indirect, incidental, special, or consequential damages that result from any product purchased from SuperATV®. The total liability of seller to user for all damages, losses, and causes of action, if any, shall not exceed the total purchase price paid for the product that gave rise to the claim.

SuperATV® will warranty only parts provided by SuperATV®. Any damage or problems with OEM housings, bearings, seals, or other manufacturers' products will not be covered by SuperATV®. SuperATV® parts and products are not warrantied if item was not installed properly, misused, or modified.

Installing, adding, modifying, or fabricating any factory or aftermarket product to your ATV/UTV may violate certain local, state, and federal laws. Be advised that laws vary depending on town, city, county, state, etc. Use of certain products on public streets, roads, or highways may be in violation law. The Buyer is solely and exclusively legally and personally responsible for any violation of the law by the installation or use of the product. You must abide by all local, state, and federal laws, including but not limited to vehicle safety, traffic laws, and ordinances. It is your responsibility to know the laws and how they apply to you.

The Buyer is responsible to fully understand the capability and limitations of his/her vehicle according to manufacturer specifications, warnings and instructions and agrees to hold SuperATV® harmless from any damage resulting from failure to adhere to such specifications, warnings and/ or instructions. The Buyer is also responsible to obey all applicable federal, state, and local laws and ordinances when operating his/her vehicle while using this product, and the Buyer agrees to hold SuperATV® harmless from any violation thereof.