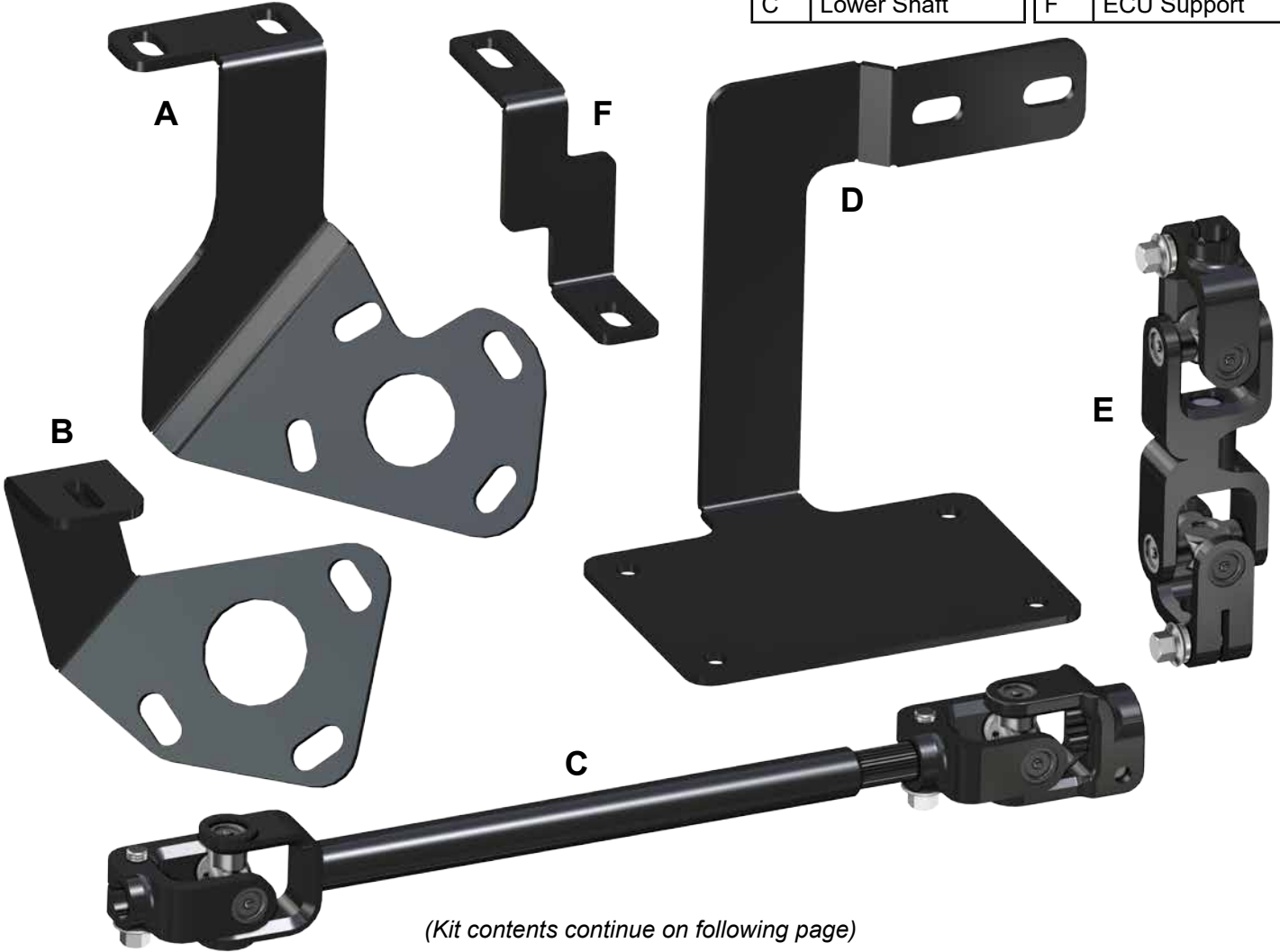


INSTALLATION INSTRUCTIONS
Power Steering Kit: for Kawasaki Mule FXT™

Item	Description	Item	Description
A	Top Bracket	D	ECU Mount
B	Lower Bracket	E	Upper Shaft
C	Lower Shaft	F	ECU Support



(Kit contents continue on following page)

Need help with your installation?

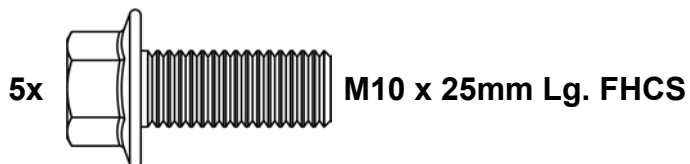
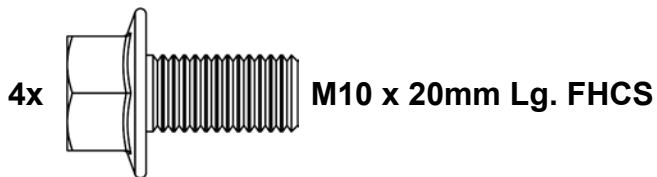
 sales@superatv.com
 www.superatv.com

 1-855-743-3427
  8:00am - 9:00pm EST M-Th
 8:00am - 7:00pm EST Friday
 9:00am - 2:00pm EST Saturday

Read instructions and view illustrations before beginning.

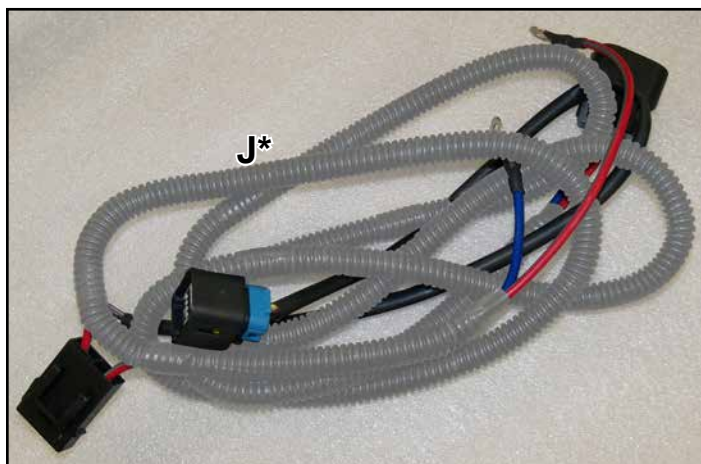
Thank You
For Choosing
SUPERATV.COM[®]

(Kit contents continued)



(Disregard any extra hardware)

Item	Description
G	Motor
H	ECU
J	Wire Harness



***Connections**

- Before installing, ensure that all Gaskets in electrical connections are properly seated.
- If Gaskets are not seated use a Flathead Screwdriver to seat.

Removal: *Keep all components removed from machine.*





remove Steering Wheel

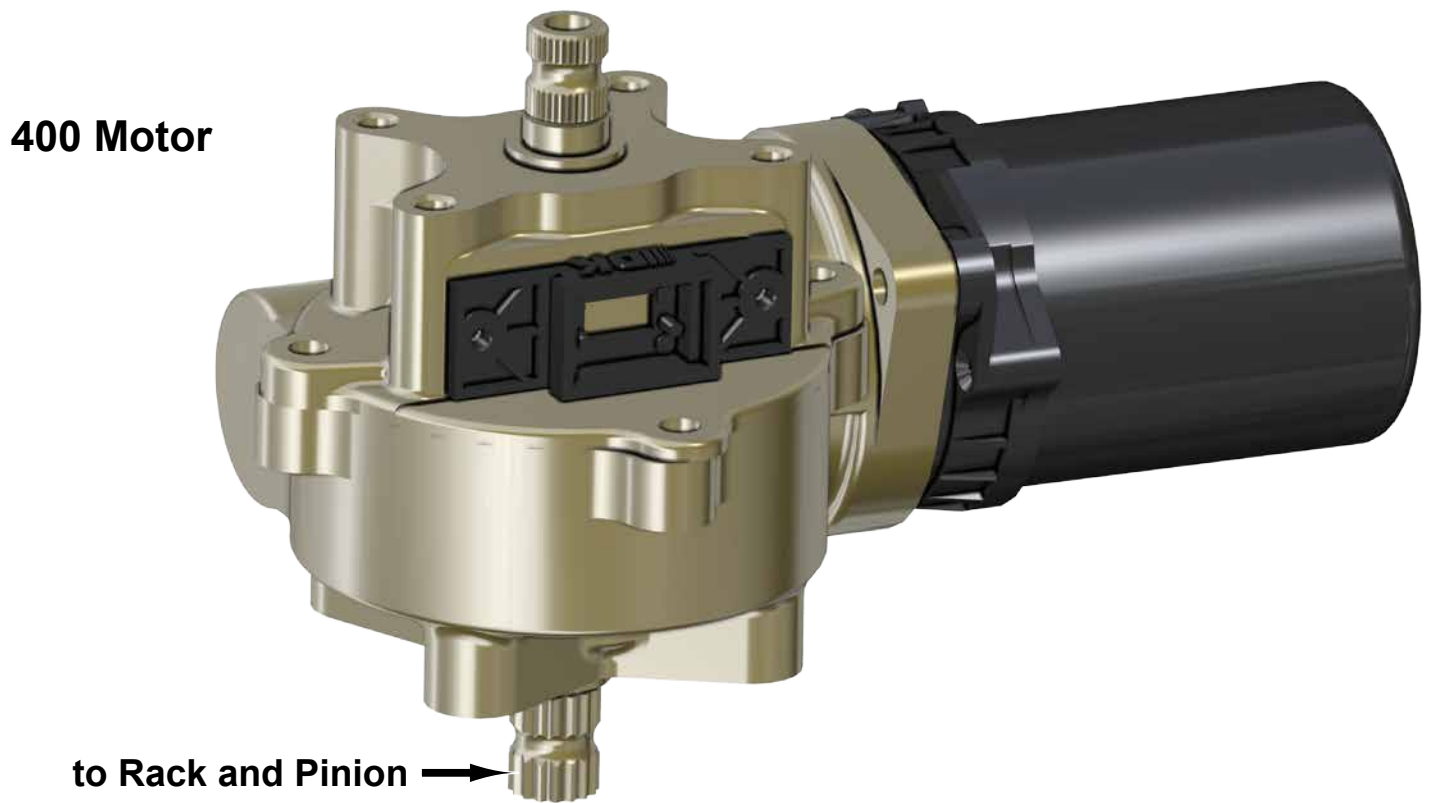
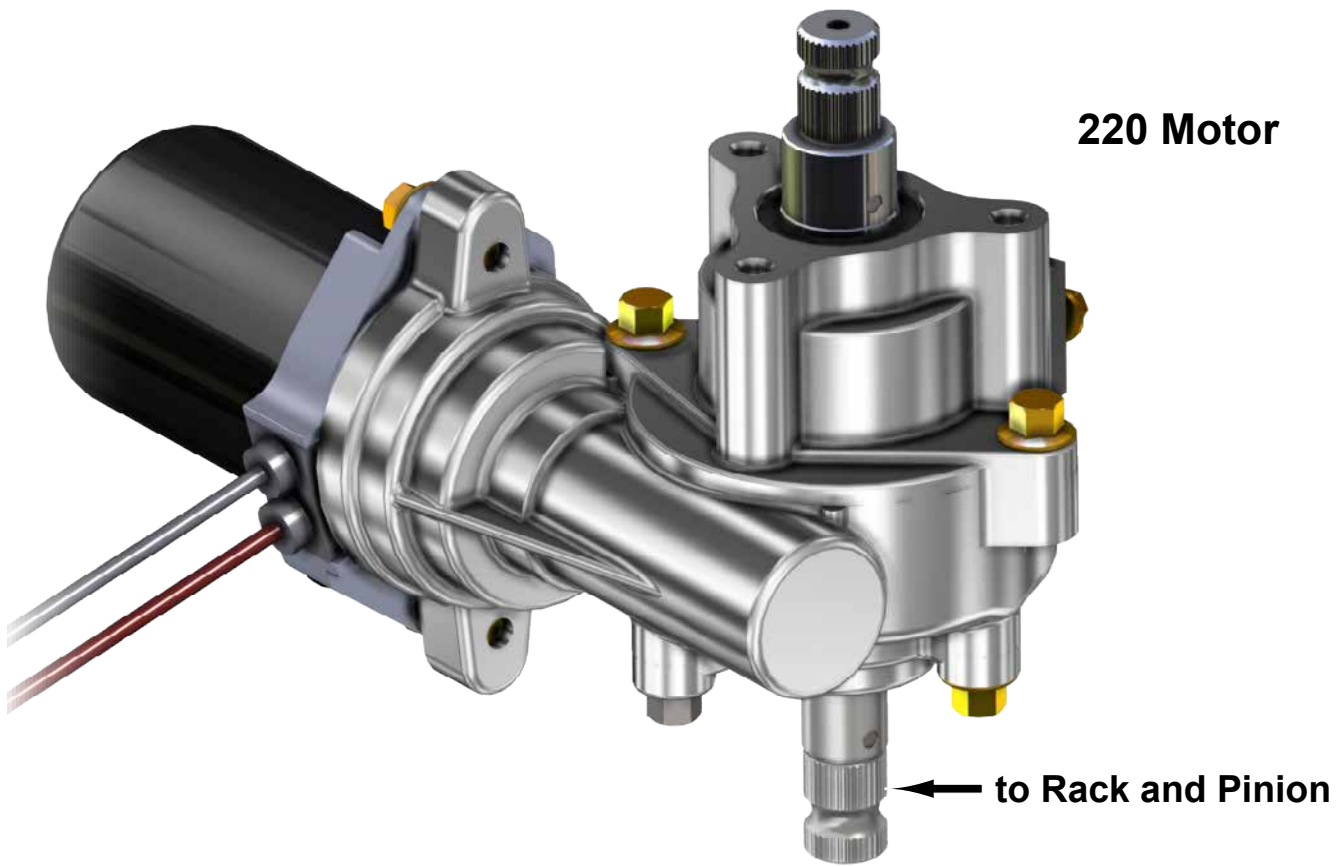


remove Control Panel



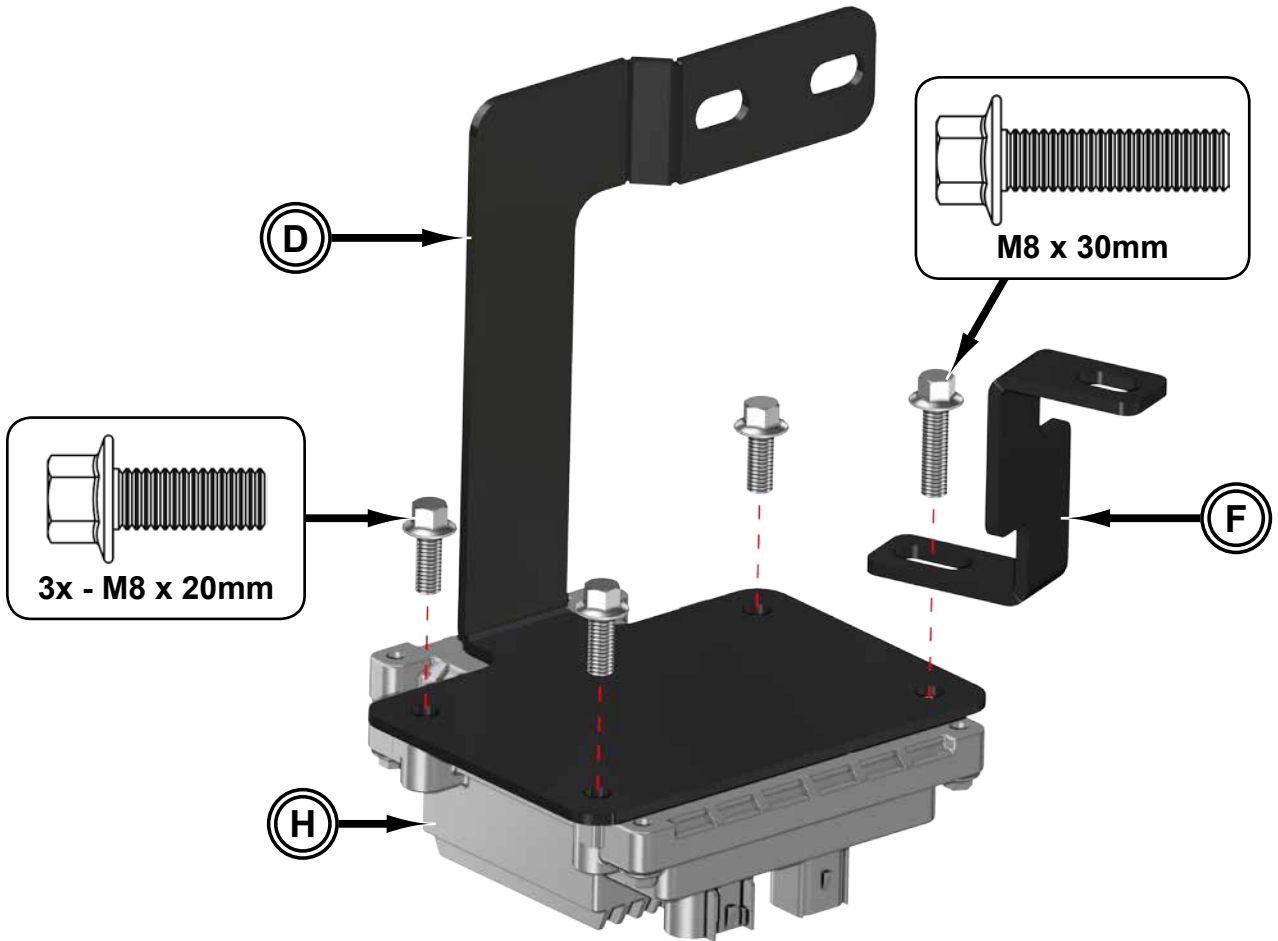
raise Front Fender and secure with a strap





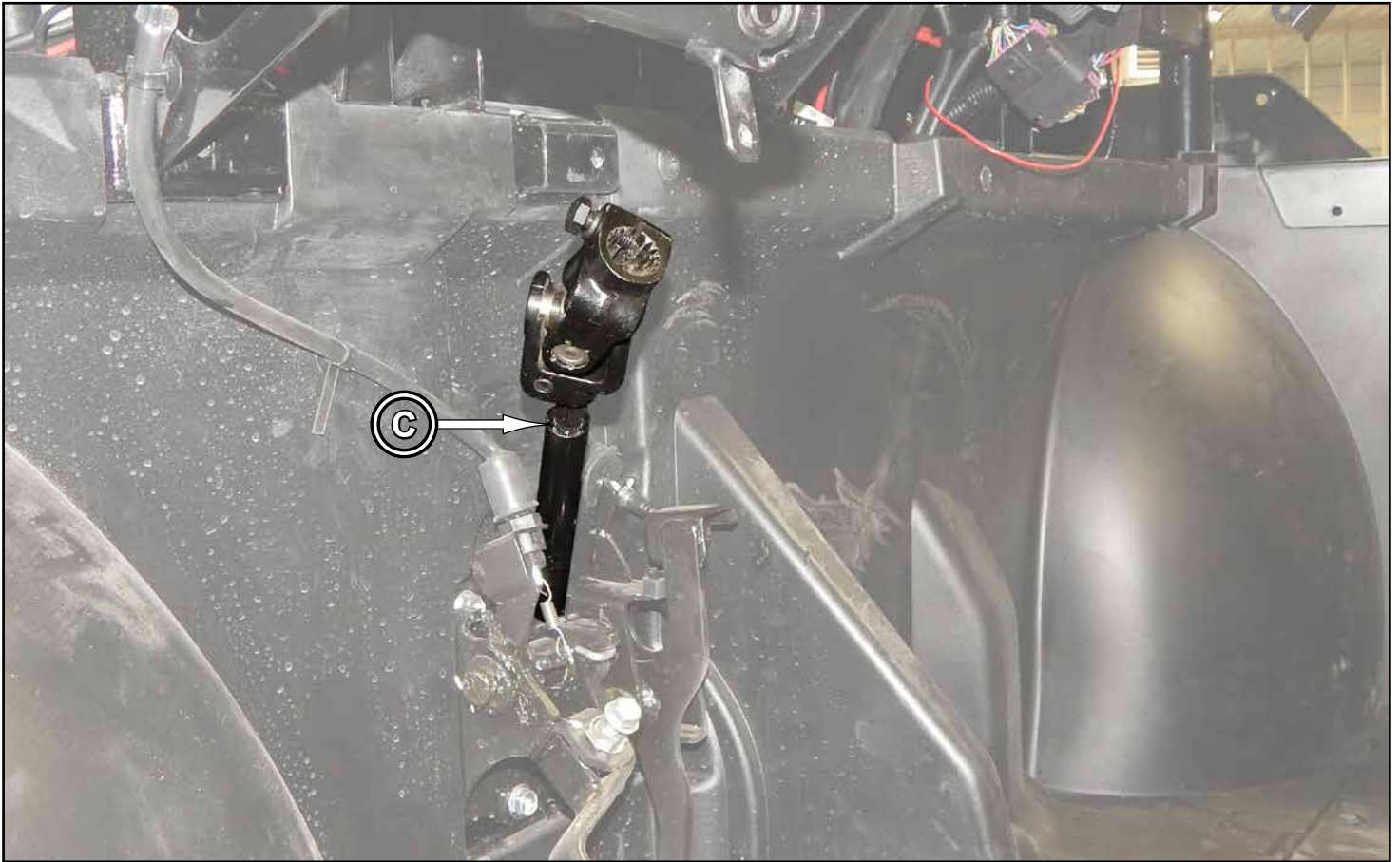
Do not tighten any hardware completely unless noted.

- Install ECU (H) and ECU Support (F) to ECU Mount (D) with hardware shown. Set aside.

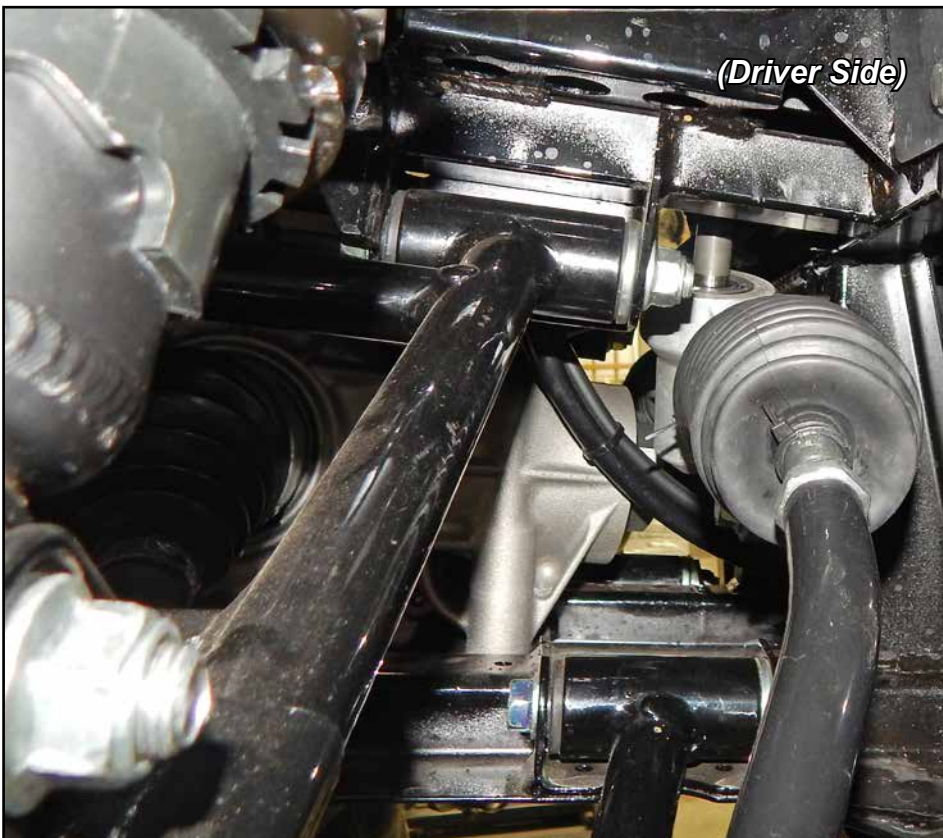


- Install Motor (G) to Lower Bracket (B) with hardware shown. Set aside.

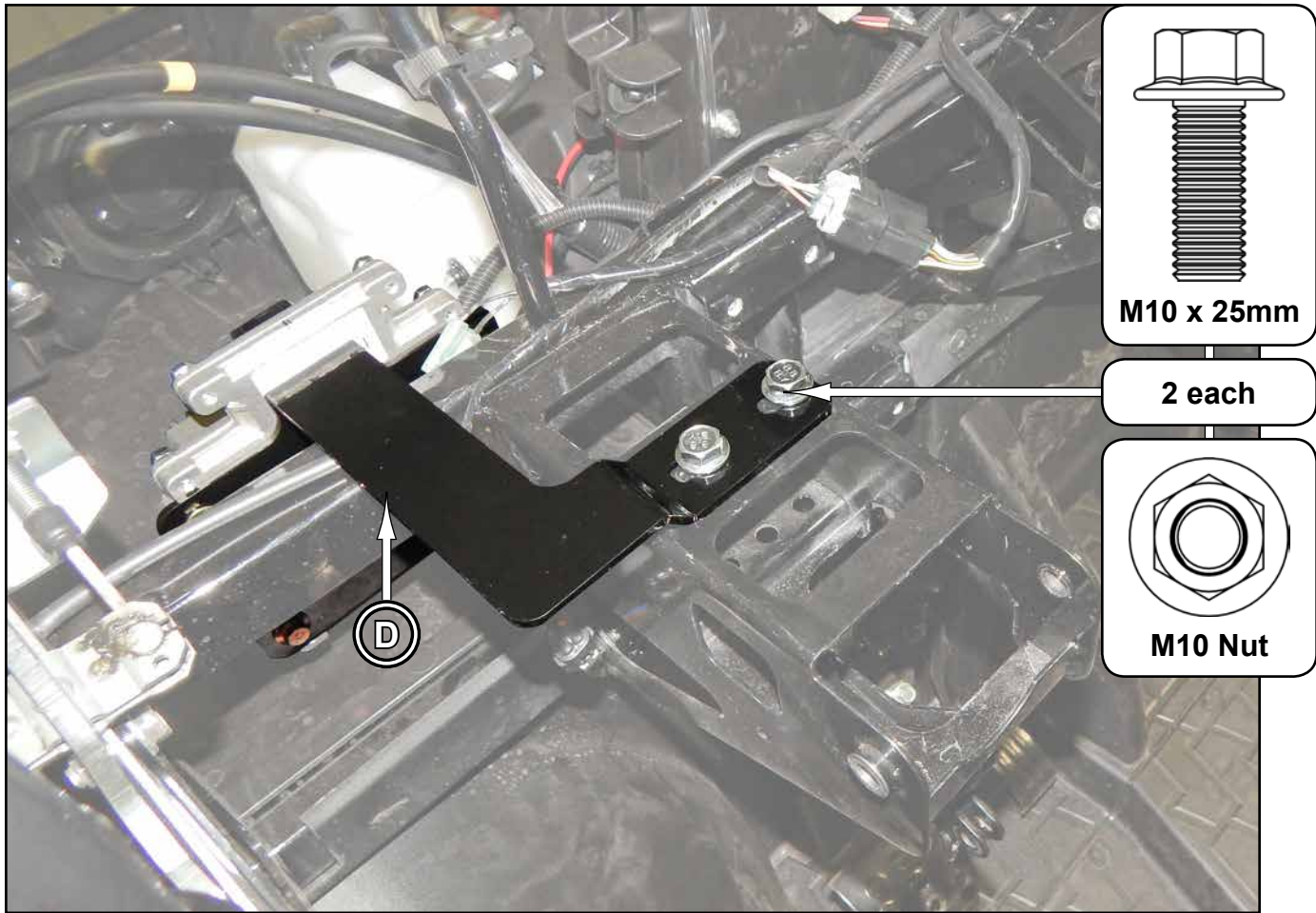




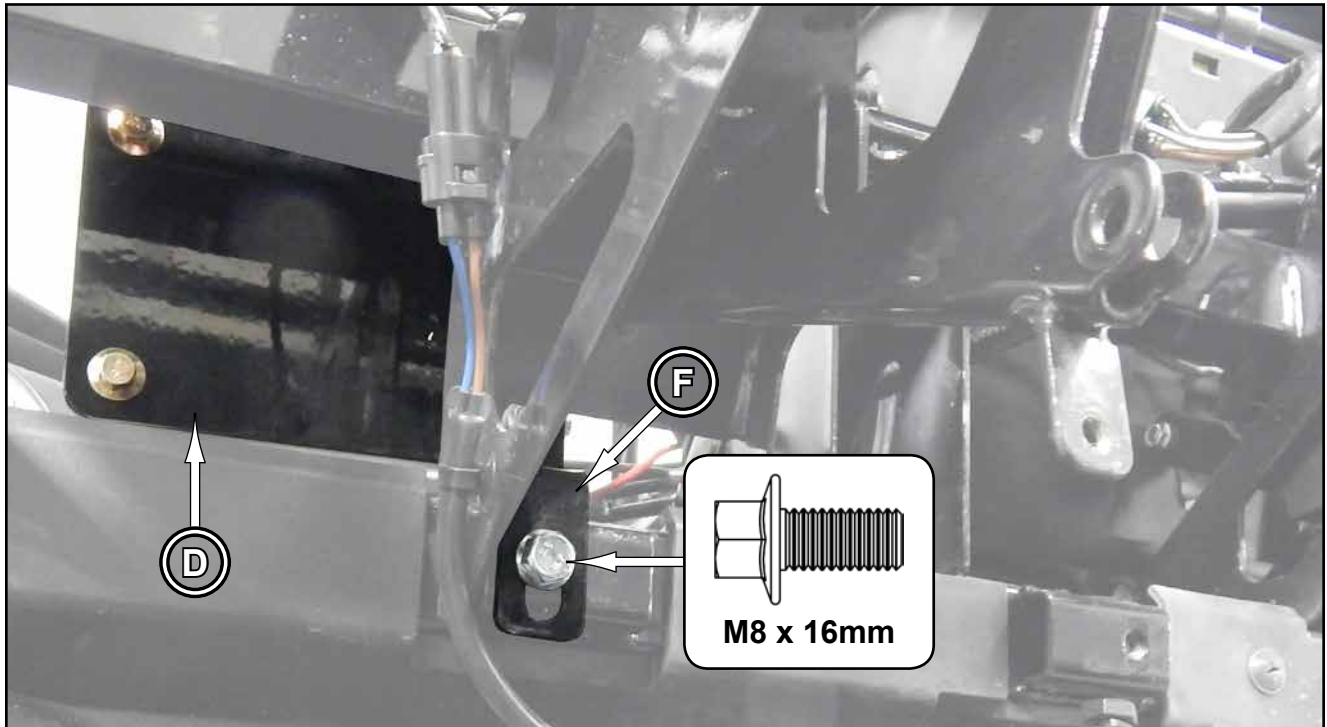
- Insert Lower Shaft (C) through Firewall and secure to Rack and Pinion with provided hardware.



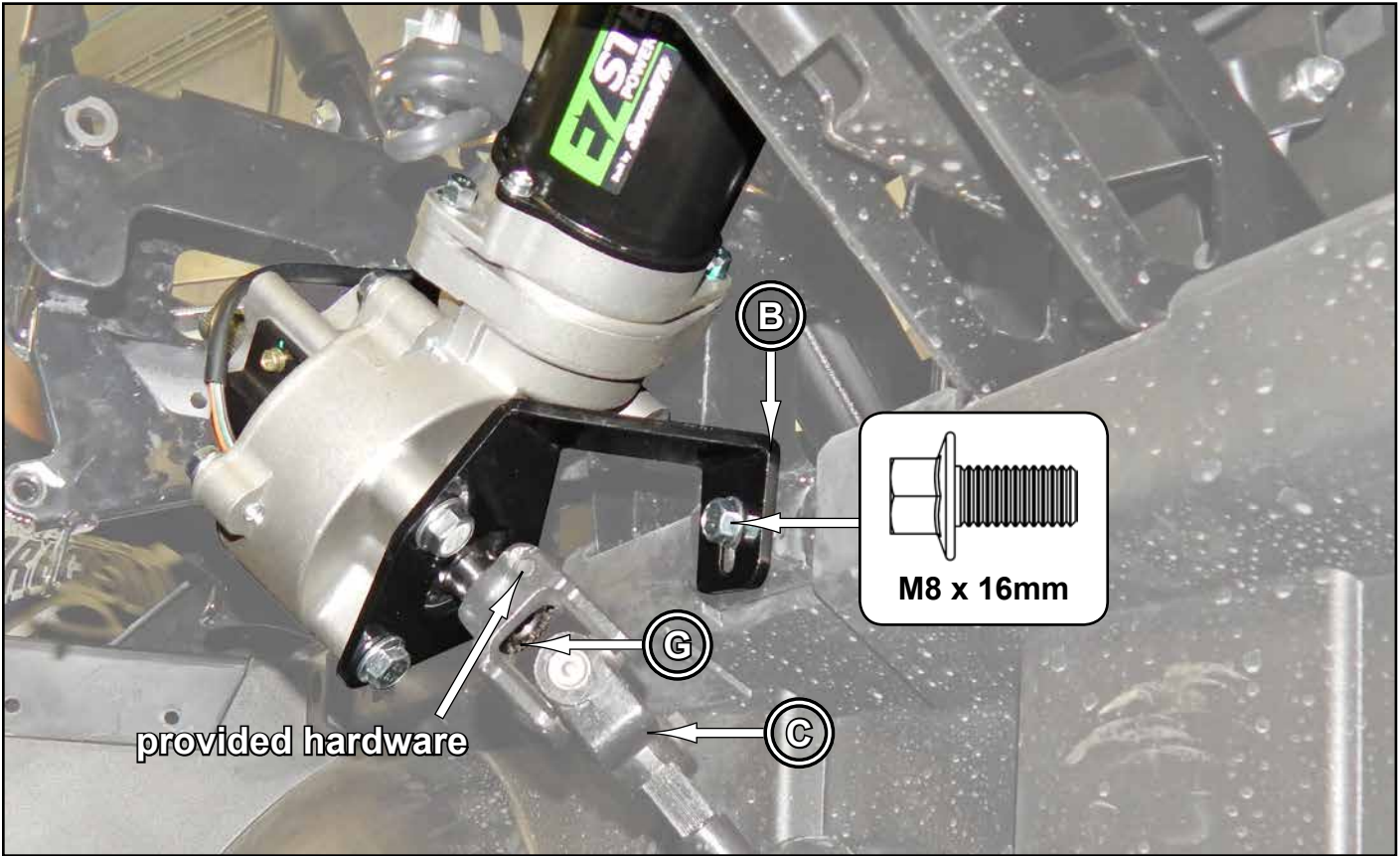
- Install ECU Mount (D) to Steering Frame with hardware shown.



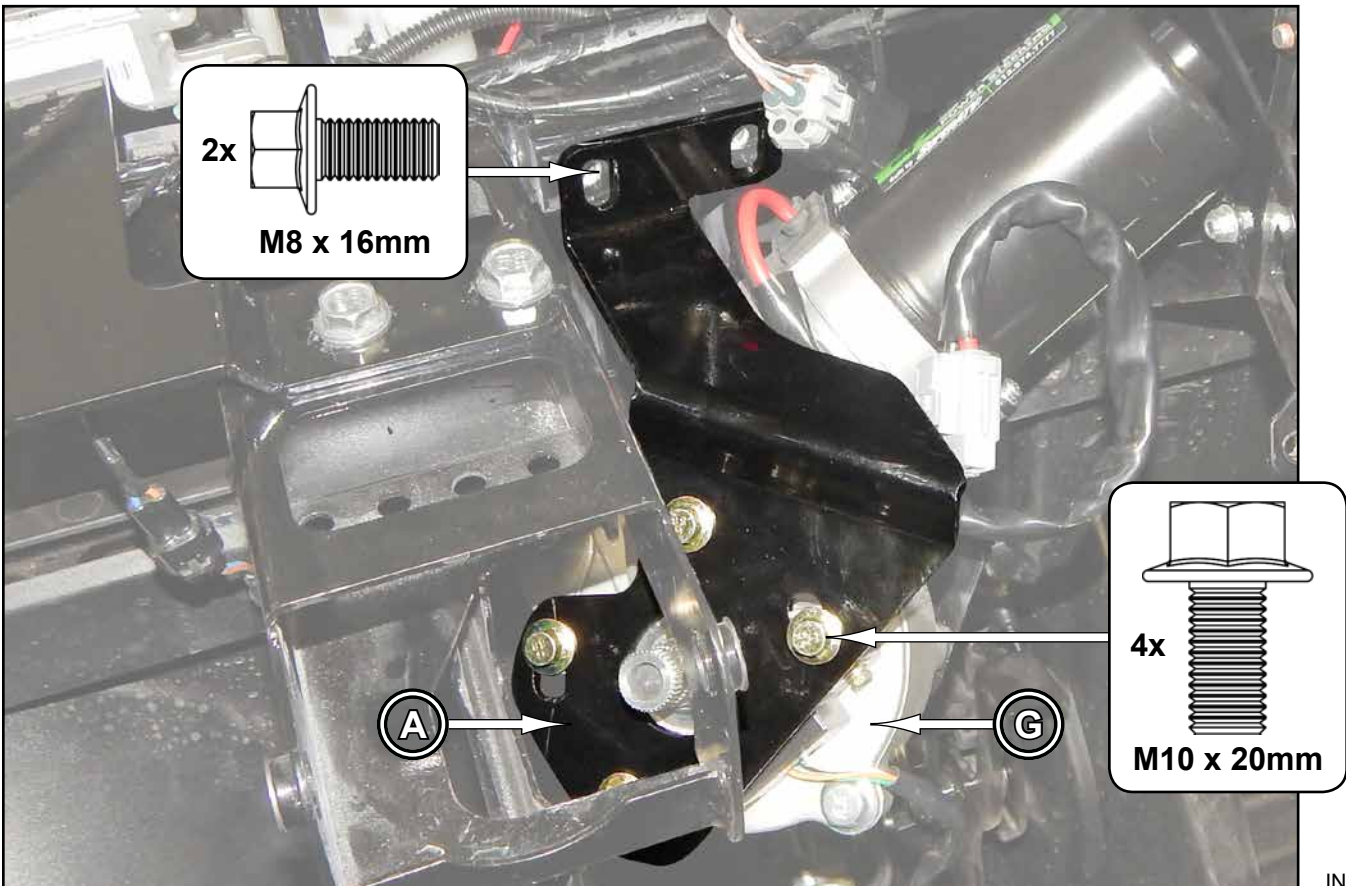
- Secure ECU Support (F) to Frame with hardware shown.



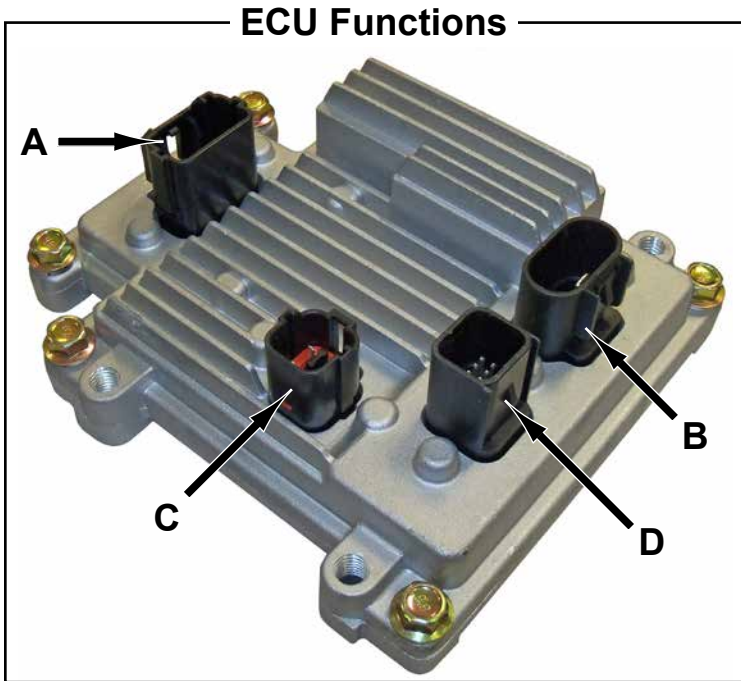
- Install Lower Bracket (B) / Motor (G) assembly onto Lower Shaft (C):
- Secure Lower Shaft (C) to Motor (G) with provided hardware.
- Secure Lower Bracket (B) to Frame with hardware shown.



- Install Top Bracket (A) to Motor (G) and secure to Frame with hardware shown.

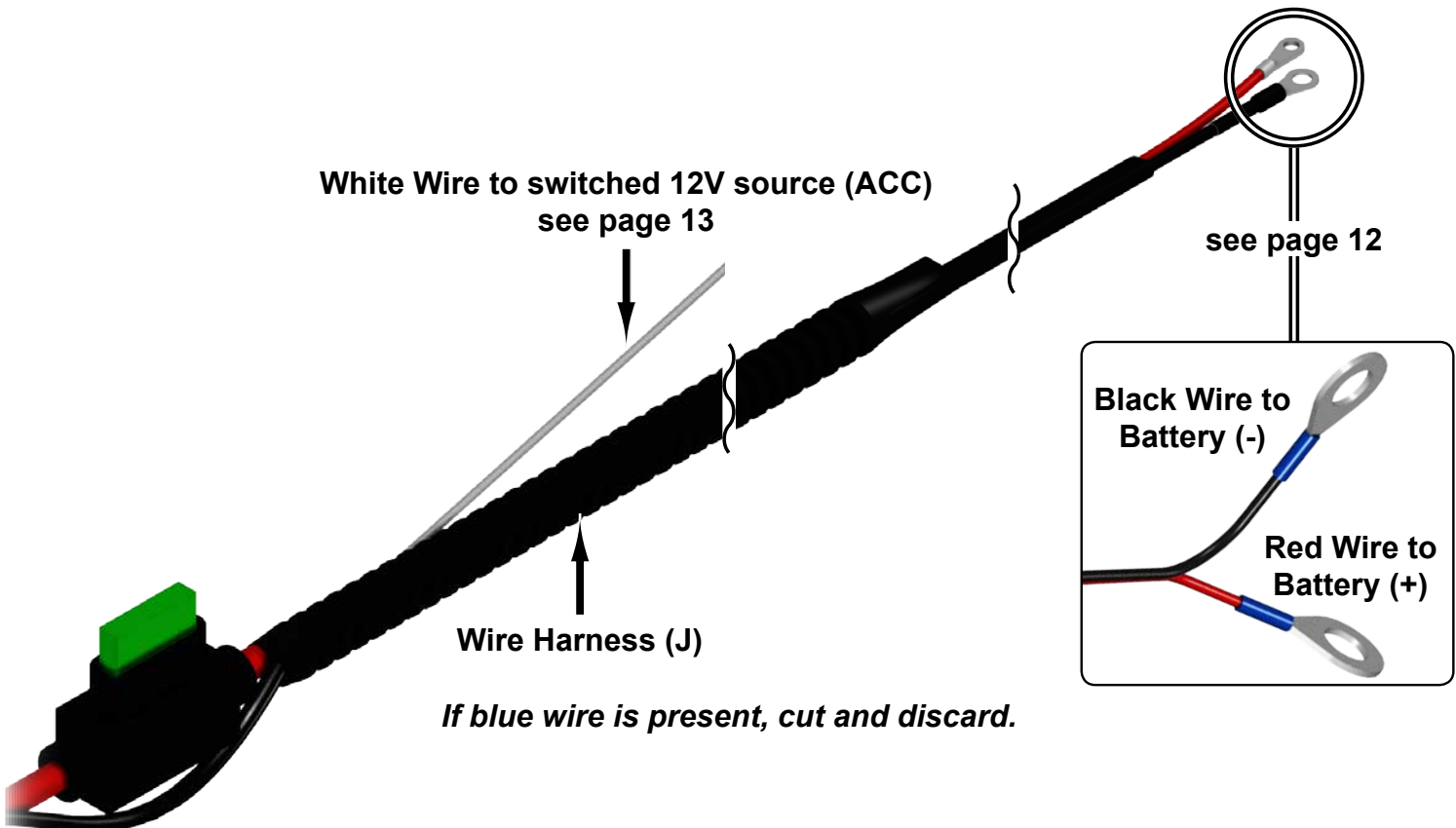
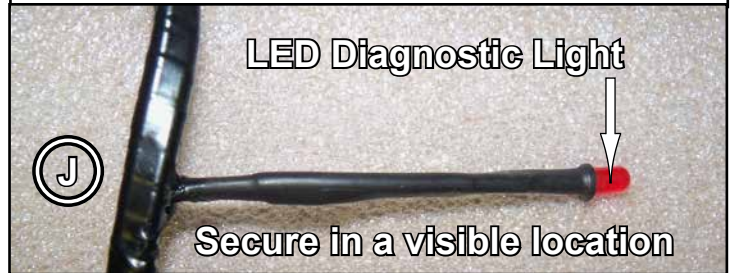


- Plug in Wiring Harness (J) and make connections.

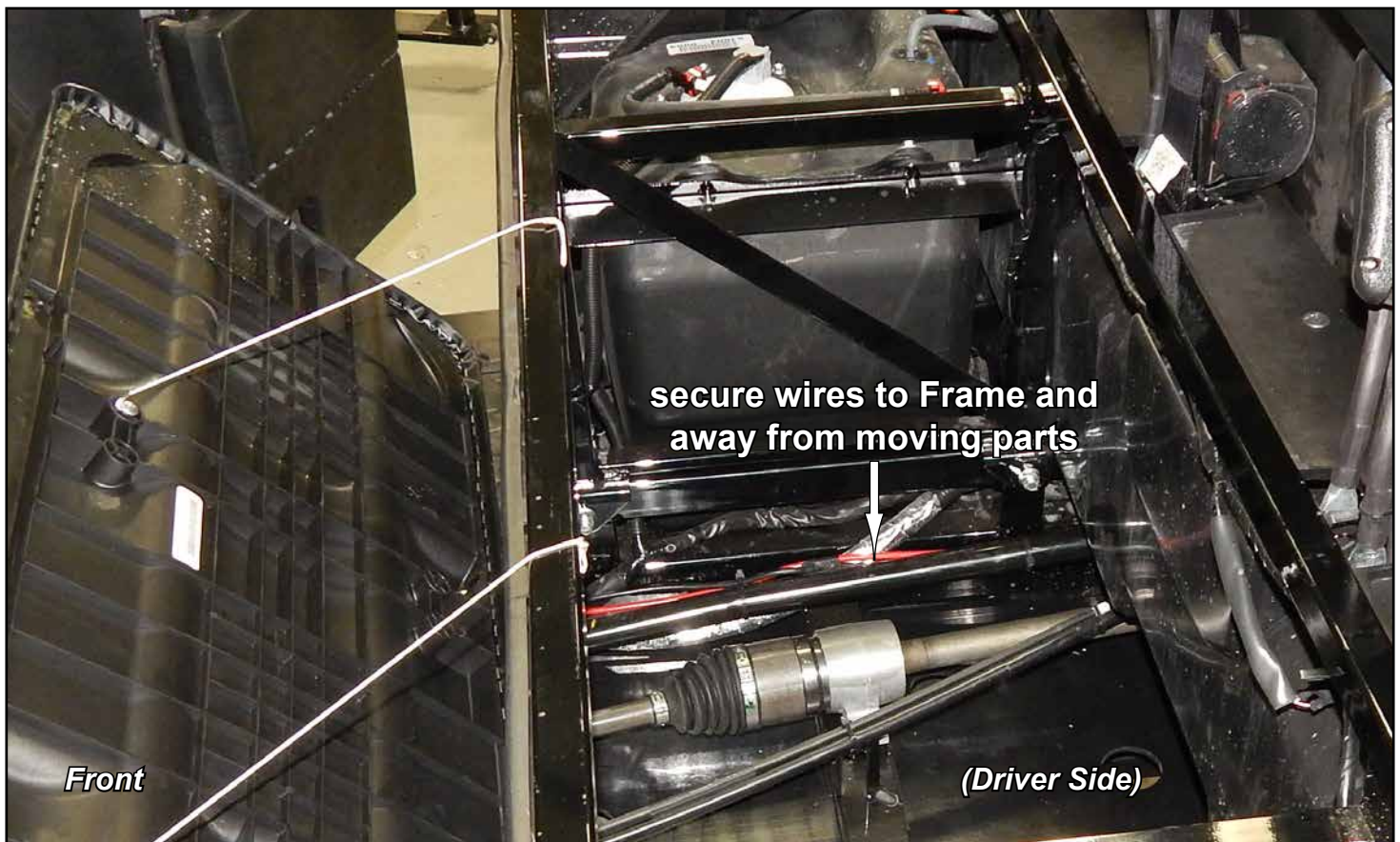


Plug	Function
A	Motor
B	Main Power and Ground
C	Non-Contact Torque Sensor
D	Key-On Power, Speed Sensor Wire, and LED

When activated, LED Diagnostic Light will flash once for about 1 second before turning off indicating proper function. Should different patterns occur, contact SuperATV.

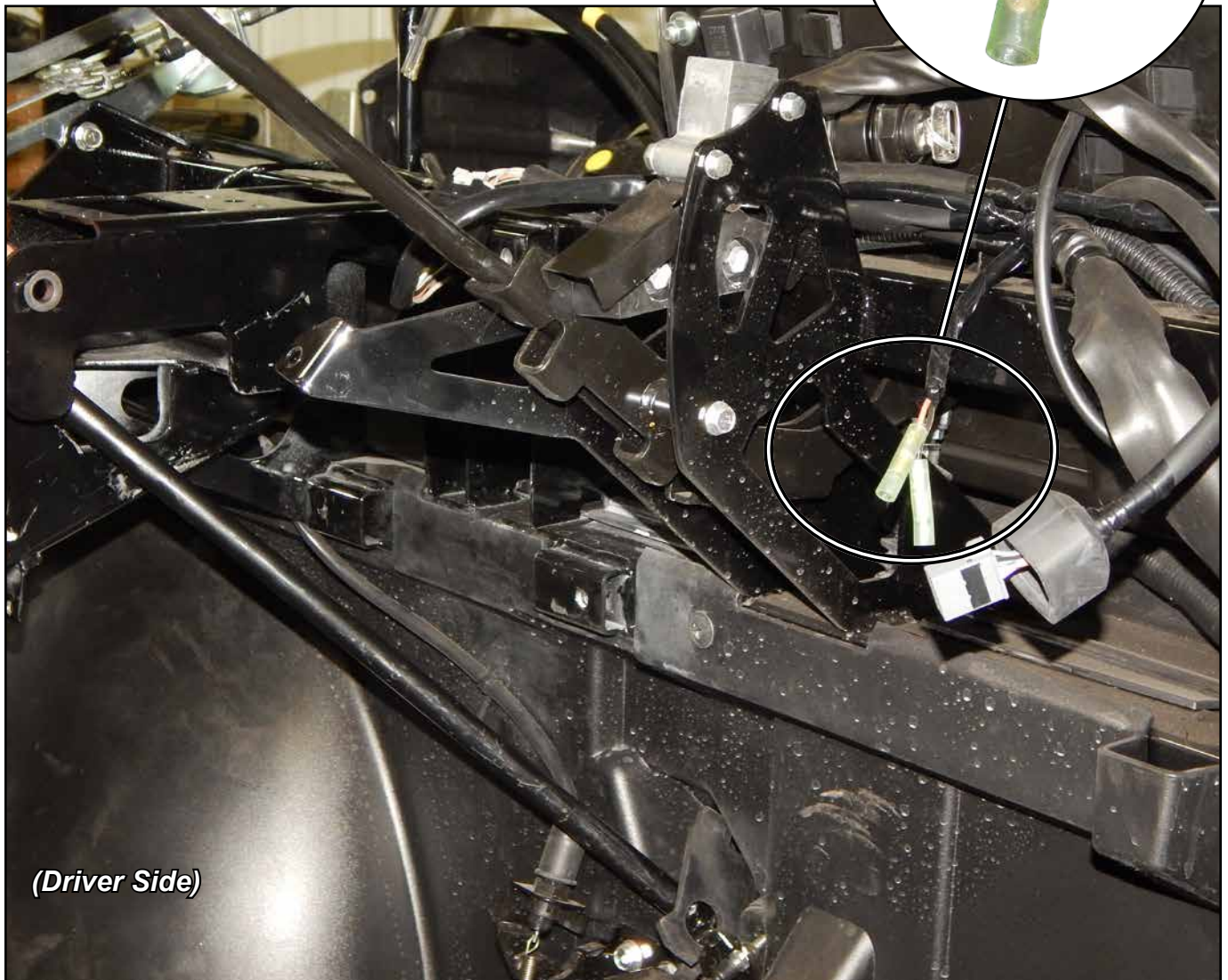
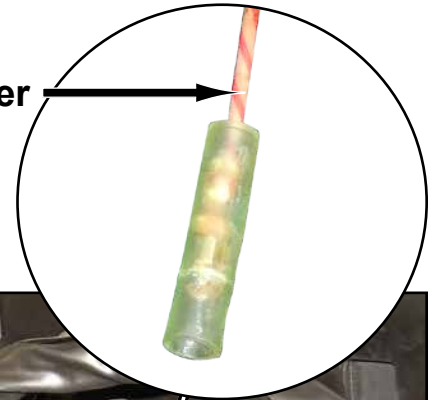


- Route red and black wires on Wiring Harness (J) to Battery and make connections. Battery is located under rear seat on passenger side of machine.



- Locate stock wiring that contains a brown wire with red chaser.
- Connect white wire from Wiring Harness (J) to with provided connector.

BROWN wire with RED chaser



(Driver Side)

- Check Upper Shaft for any interference before tightening hardware. If interference is present, rotate motor towards front of vehicle until interference goes away.
- Tighten all hardware completely and reverse applicable steps taken during "Removal".

Liability Statement

SuperATV's® products are designed to best fit user's ATV/UTV under stock conditions. Adding, modifying, or fabricating any factory or aftermarket parts will void any warranty provided by SuperATV® and is not recommended. SuperATV's® products could interfere with other aftermarket accessories. If user has aftermarket products on machine, contact SuperATV® to verify that they will work together.

Although SuperATV® has thousands of satisfied customers, user should be aware that installing lift kits, long travel, or suspension kits, tires, etc. will change the ride of machine and may increase maintenance and part wear. Operating any off-road machine while, or after, consuming alcohol and/or drugs increases risk of bodily harm or death. No warranty or representation is made as to this product's ability to protect user from severe injury or death. SuperATV® urges operators and occupants to wear a helmet and appropriate riding gear at all times.

By purchasing and installing SuperATV® products, user agrees that should damages occur, SuperATV® will not be held responsible for loss of time, use, labor fees, replacement parts, or freight charges. SuperATV®, nor any 3rd party, will not be held responsible for any direct, indirect, incidental, special, or consequential damages that result from any product purchased from SuperATV®. The total liability of seller to user for all damages, losses, and causes of action, if any, shall not exceed the total purchase price paid for the product that gave rise to the claim.

SuperATV® will warranty only parts provided by SuperATV®. Any damage or problems with OEM housings, bearings, seals, or other manufacturers' products will not be covered by SuperATV®. SuperATV® parts and products are not warranted if item was not installed properly, misused, or modified.

Installing, adding, modifying, or fabricating any factory or aftermarket product to your ATV/UTV may violate certain local, state, and federal laws. Be advised that laws vary depending on town, city, county, state, etc. Use of certain products on public streets, roads, or highways may be in violation law. The Buyer is solely and exclusively legally and personally responsible for any violation of the law by the installation or use of the product. You must abide by all local, state, and federal laws, including but not limited to vehicle safety, traffic laws, and ordinances. It is your responsibility to know the laws and how they apply to you.

The Buyer is responsible to fully understand the capability and limitations of his/her vehicle according to manufacturer specifications, warnings and instructions and agrees to hold SuperATV® harmless from any damage resulting from failure to adhere to such specifications, warnings and/ or instructions. The Buyer is also responsible to obey all applicable federal, state, and local laws and ordinances when operating his/her vehicle while using this product, and the Buyer agrees to hold SuperATV® harmless from any violation thereof.