

INSTALLATION INSTRUCTIONS
Front Bumper: for Kawasaki Mule PRO-FXT™

Item	Description
A	Support x 2
B	LED Bracket x 2
C	Cross Tube
D	Top
E	Bottom
F	D-Ring x 2
G	Cover Plate
H	Fairlead Adapter

Winch and LED Lights not included.



(kit contents continue on following page)

Need help with your installation?

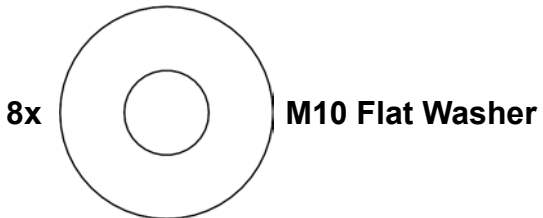
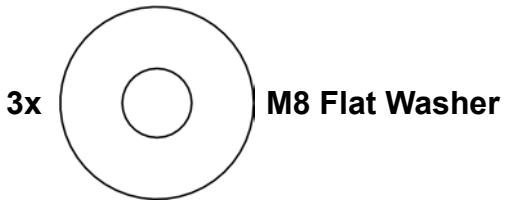
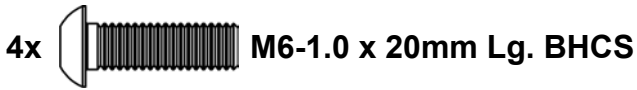
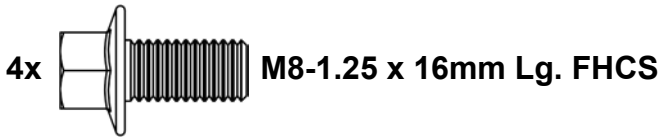
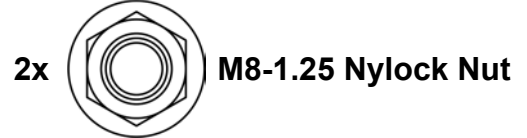
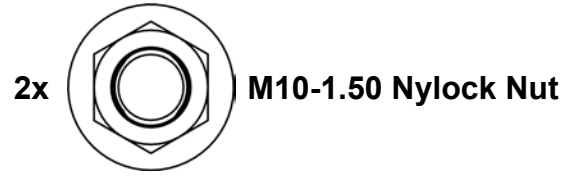
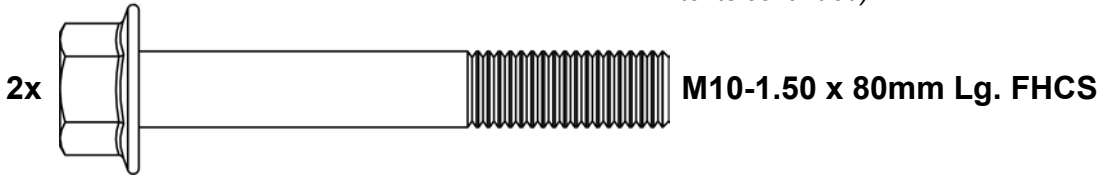
 sales@superatv.com
 www.superatv.com

 1-855-743-3427
  8:00am - 9:00pm EST M-Th
 8:00am - 7:00pm EST Friday
 9:00am - 2:00pm EST Saturday

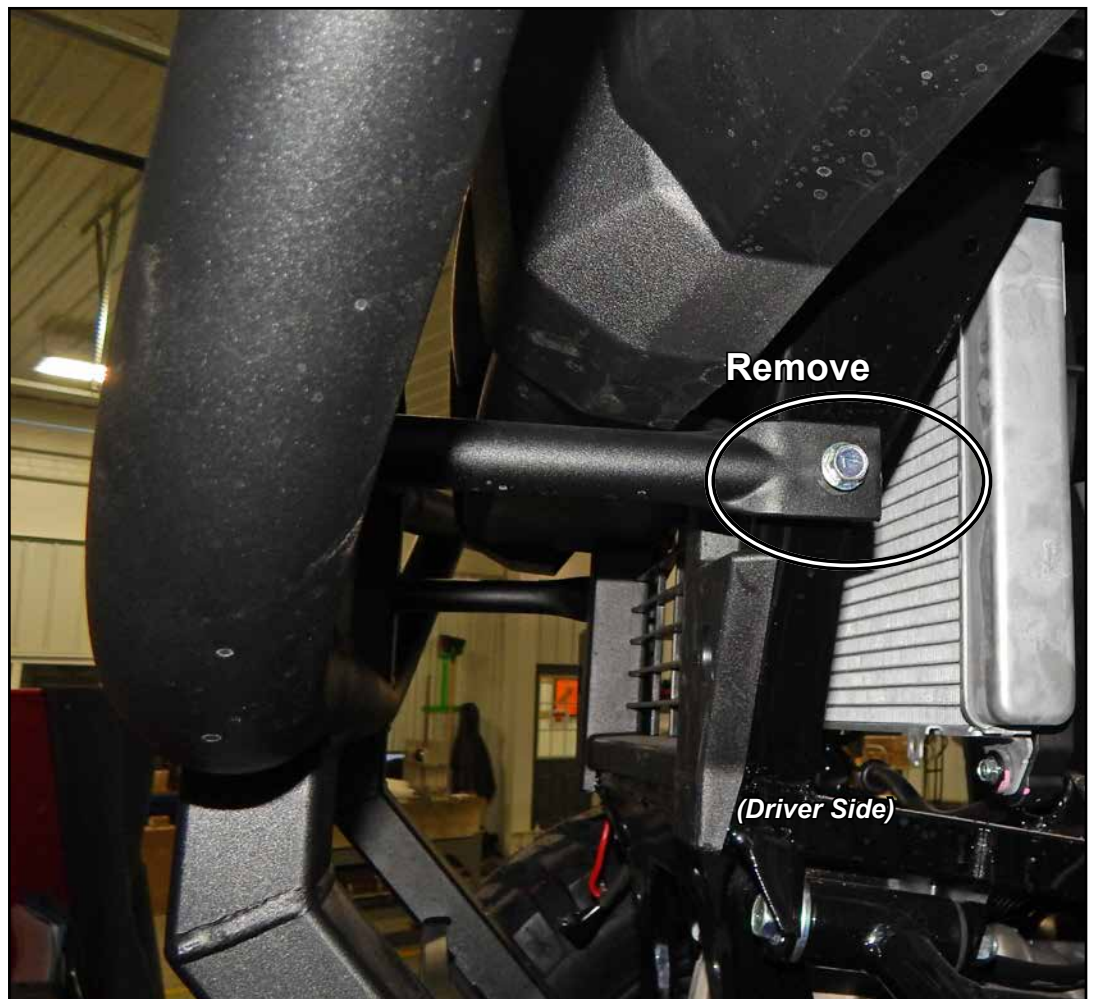
Read instructions and view illustrations before beginning.

Thank You
For Choosing
SUPERATV.COM[®]

(kit contents continued)

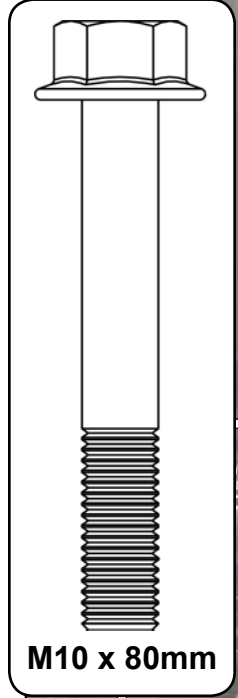


Remove Front Bumper



Do not tighten hardware completely unless noted.

- Install Supports (A) to stock Bumper locations with hardware shown.



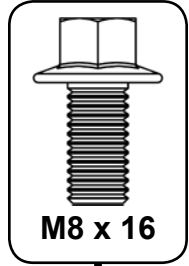
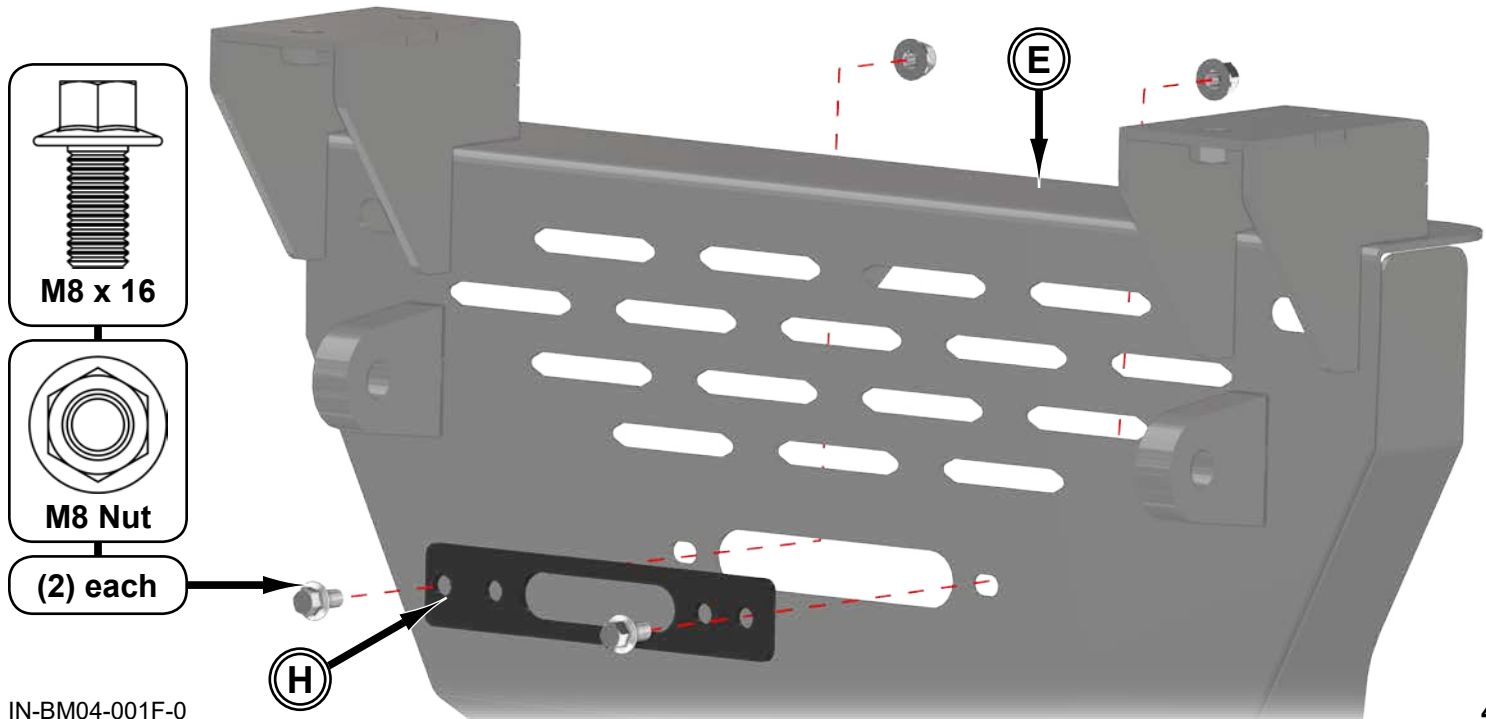
M10 x 80mm



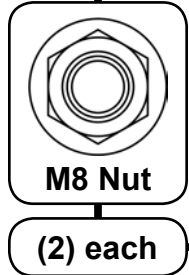
M10 Nut

Winch Fairlead options:

- **SuperATV 3500 lb. Winch:** install Fairlead Adapter (H) with hardware shown.
- **No Winch:** install Cover Plate (G).
- **SuperATV 4500 or 5000 lb. Winch:** install Fairlead included with Winch.



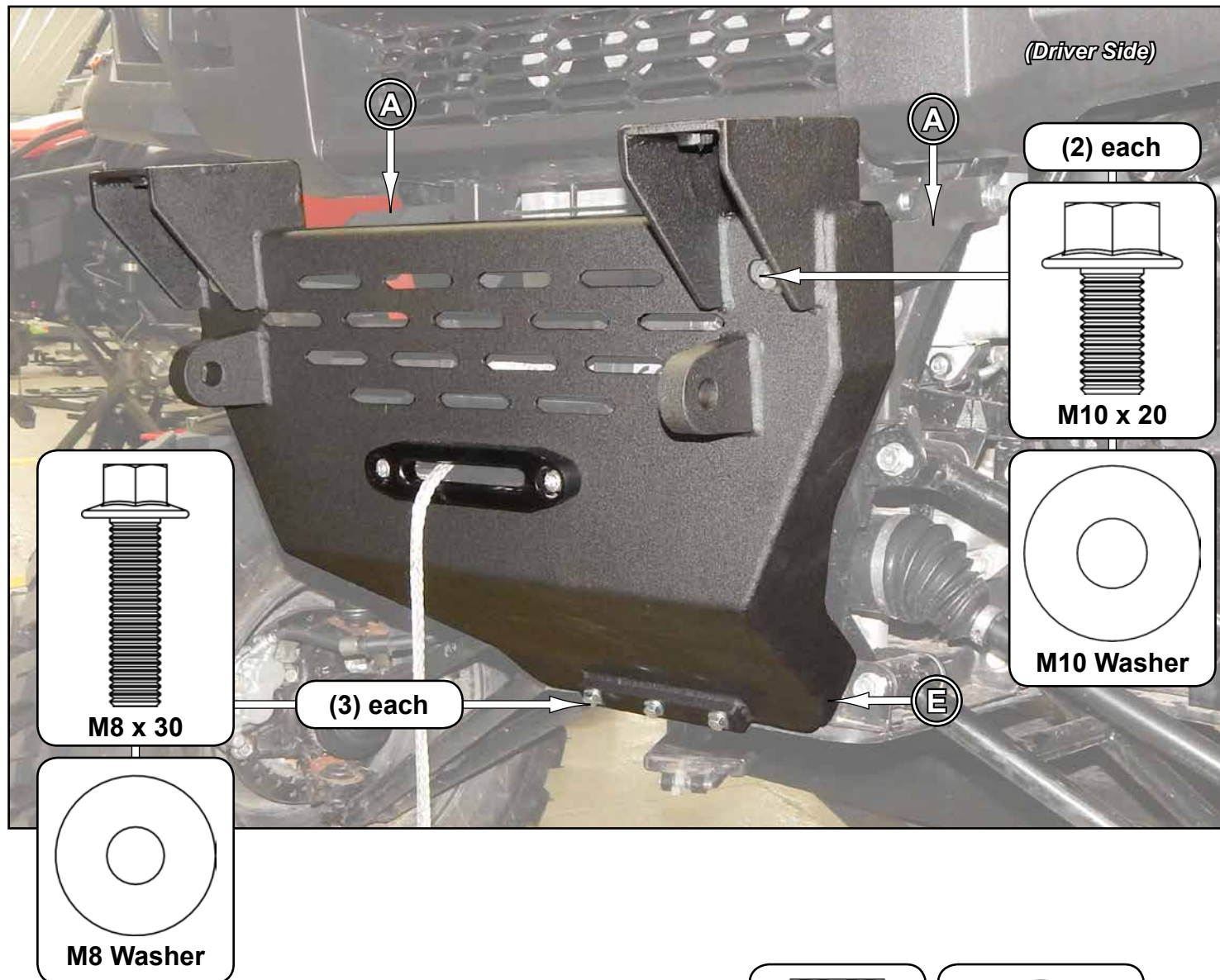
M8 x 16



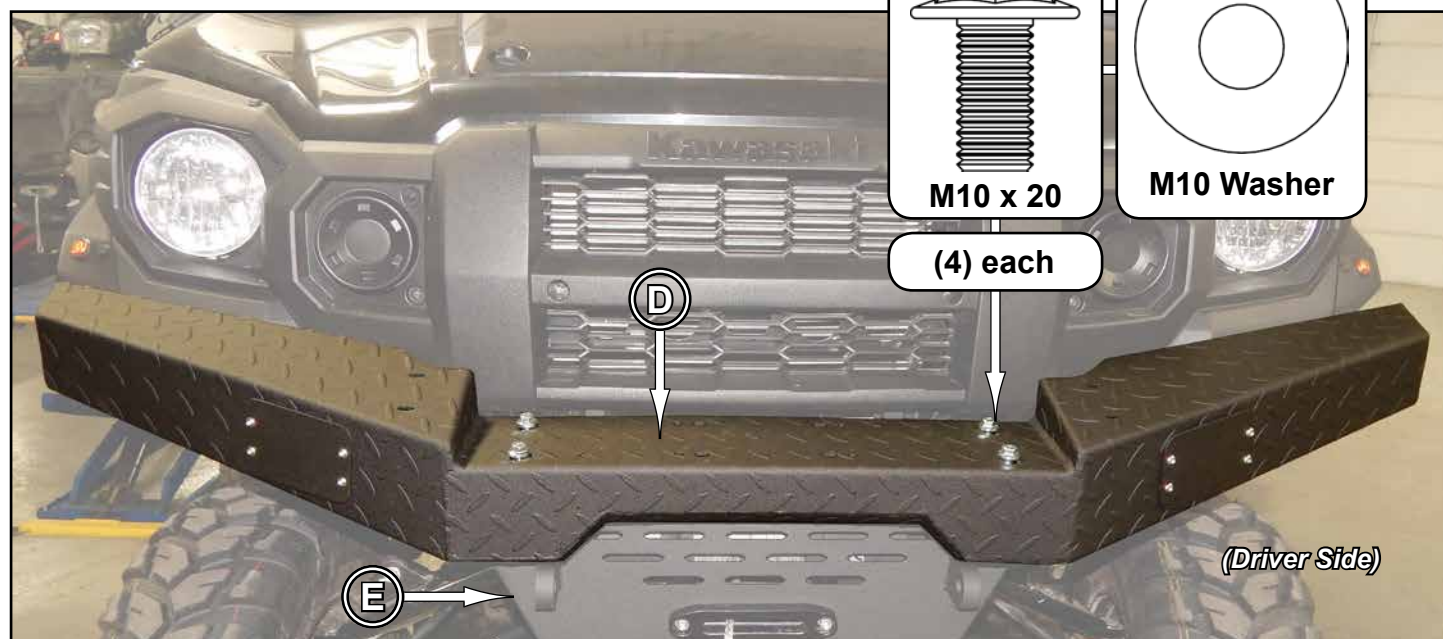
M8 Nut

(2) each

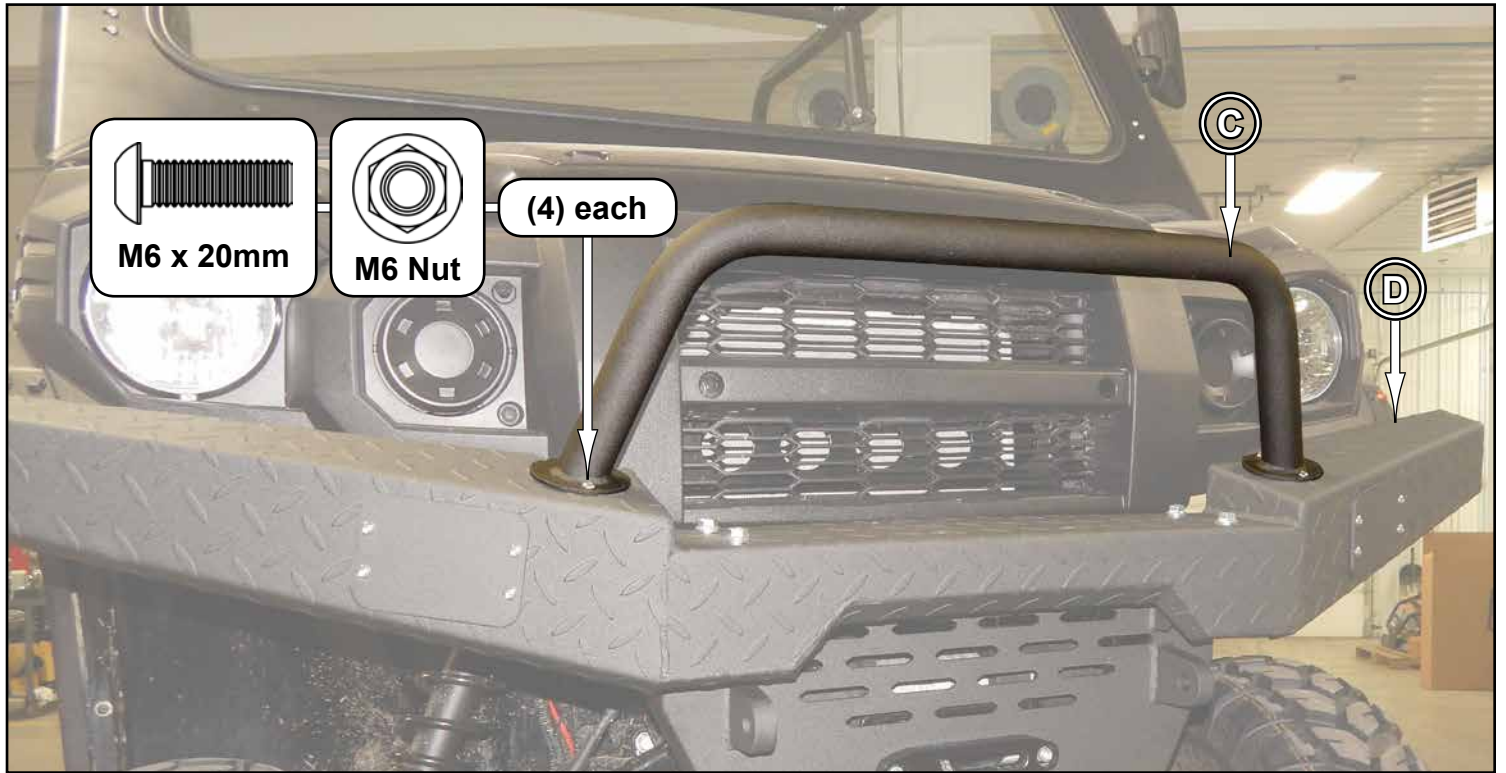
- Install Bottom (E) to Supports (A) and machine with hardware shown.



- Install Top (D) to Bottom (E) with hardware shown.



- Install Cross Tube (C) to Top (D) with hardware shown.



- Align assembly to machine and tighten all hardware completely.

LED option:

- Remove Covers from Top (D) with hardware shown.

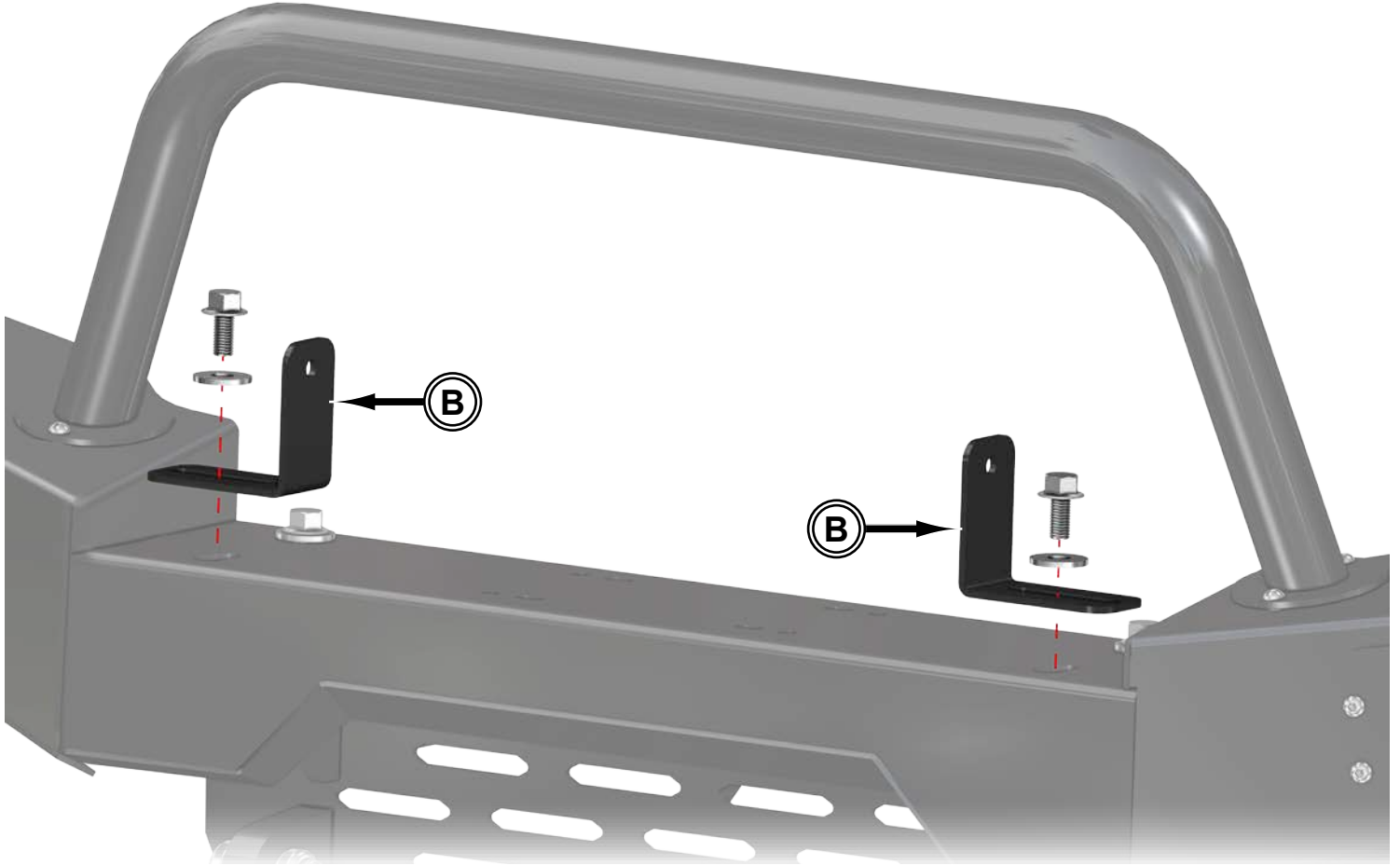


- Install LED's to Top (D). Reuse Cover hardware.



LED option:

- Install LED Brackets (B) to Top (D) with hardware shown.
- Install SuperATV p/n LB3-12 to LED Brackets (B). Hardware included with LED.



- SuperATV Winches can be installed to area shown on Top (D). Hardware included with Winch.

