



- disregard any remaining hardware
- drain Radiator before installation
- refer to service manual and refill Radiator after installation is complete

Need help with your installation?

 sales@superatv.com
 www.superatv.com

 1-855-743-3427
  8:00am - 8:00pm EST M-Th
 8:00am - 7:00pm EST Friday
 9:00am - 2:00pm EST Saturday

Read instructions and view illustrations before beginning.

*Thank You
 For Choosing*
SUPERATV.COM[®]

CUSTOMER NOTIFICATION AND DISCLAIMER LIABILITY

This product is a modification for utility task vehicles and all terrain vehicles. Use this product at your own risk.

Warranty and Liability Limitations. The Buyer hereby assumes all risks associated with the use and/or installation of this product. Buyer waives all liability claims against SuperATV® of any kind or nature, including, but not limited to, liability for penalties, fines, property damage, personal injury or death, to the fullest extent permitted by law. Buyer acknowledges and agrees that SuperATV® is not liable for any direct, indirect, incidental, consequential or special damages, including but not limited to, damage, loss of life, loss of property or equipment, loss of profits or revenue, injury, or claims from any individual or entity arising from the use of this product.

The warranty for this product, if any, may give you ("Buyer") specific legal rights, and Buyer may also have other rights which may vary from state to state. The installation of this product may void or otherwise adversely affect your factory warranty.

Consult your vehicle warranty before using this Product. Under no circumstances will SuperATV® be liable for the voidance of the Buyer's vehicle warranty. Buyer assumes all risk and responsibility if a manufacturer and/or dealer voids the Buyer's vehicle warranty due to use of this Product.

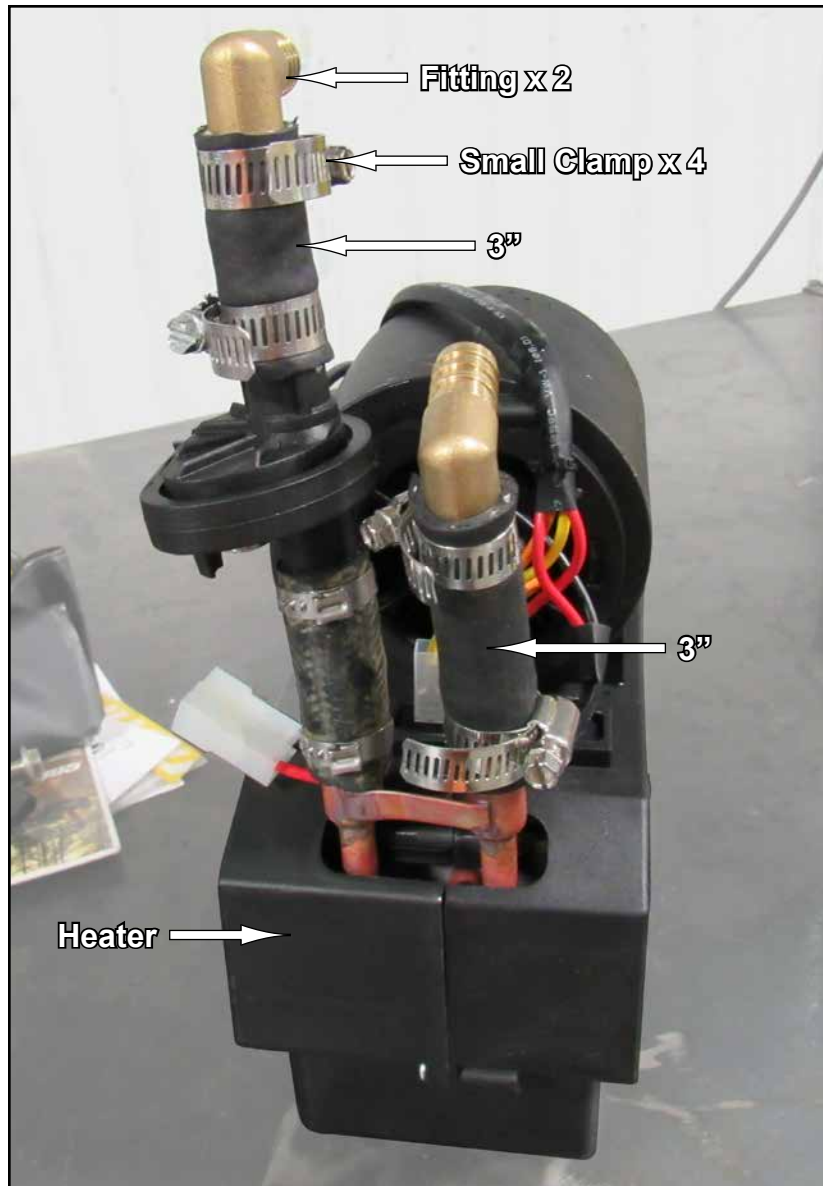
Safety and Laws. Operate your vehicle at all times in a safe manner. You must abide by all local, state, and federal laws, including but not limited to vehicle safety, traffic laws, and ordinances. It is your responsibility to know the laws and how they apply to you. The installation of this product may violate certain local, state, and federal laws. Be advised that laws vary depending on town, city, county, state, etc. Use of this product on public streets, roads, or highways may be in violation law. The Buyer is solely and exclusively legally and personally responsible for any violation of the law by the installation or use of this product. In no case will SuperATV® be held liable if Buyer violates the law or uses the product in an unsafe manner.

The Buyer is responsible to fully understand the capability and limitations of his/her vehicle according to manufacturer specifications, warnings and instructions and agrees to hold SuperATV® harmless from any damage resulting from failure to adhere to such specifications, warnings and/ or instructions. The Buyer is also responsible to obey all applicable federal, state, and local laws when operating his/her vehicle while using this product, and the Buyer agrees to hold SuperATV® harmless from any violation thereof.

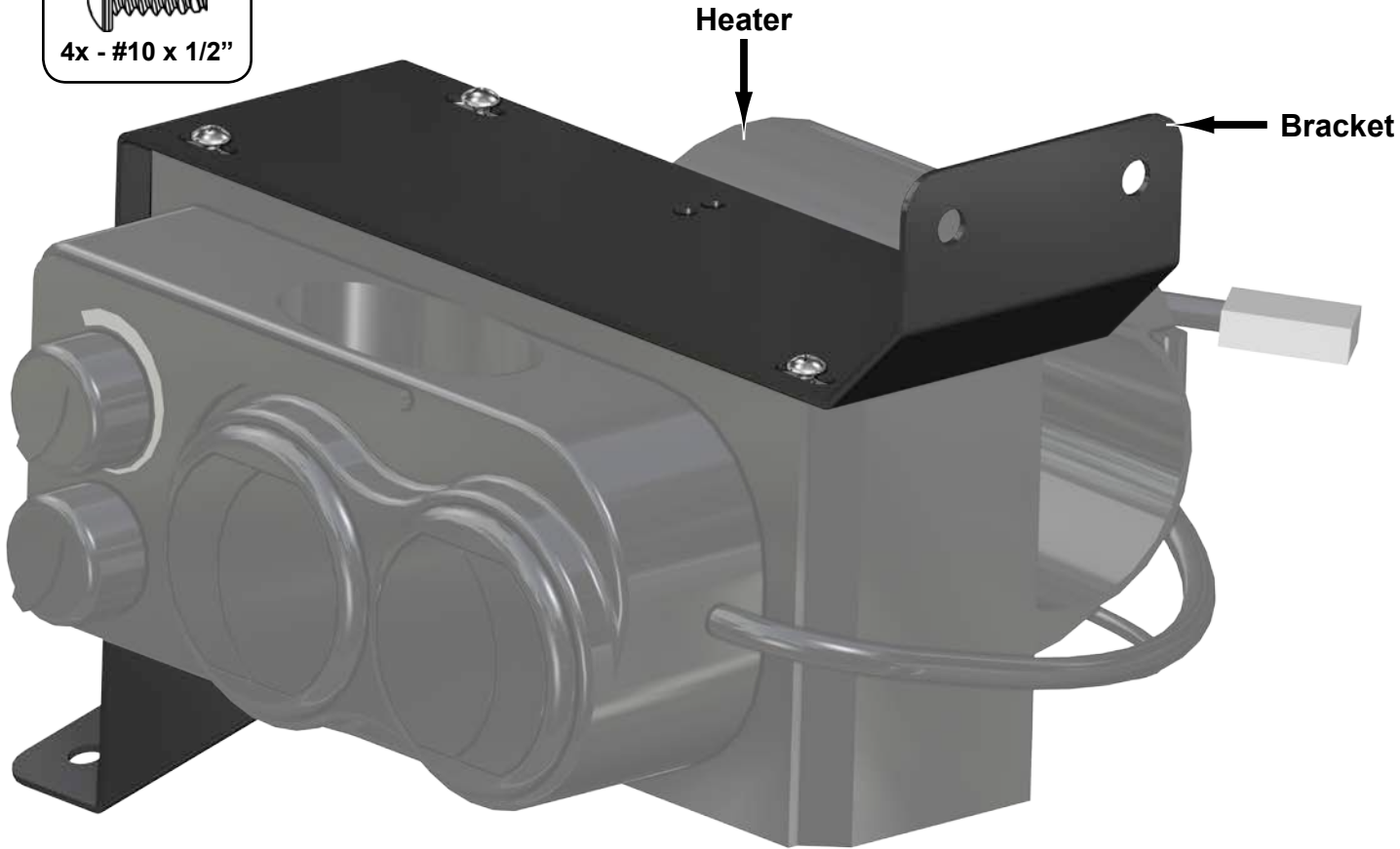
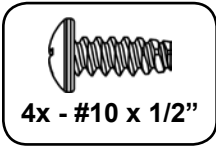
Installation. The installation of this product on your vehicle indicates that you have had the opportunity to inquire about applicable local, state, and federal laws and ordinances and that you have read and understand, and accept all of the terms of, this Disclaimer.

SuperATV® shall not be responsible for the proper installation, use, and service of this product. Rather, the Buyer shall be solely responsible for the installation of the product and any damage that may be done to the vehicle or vehicle components as a result of modifications made by the Buyer.

- preassemble Tubing and components shown to Heater

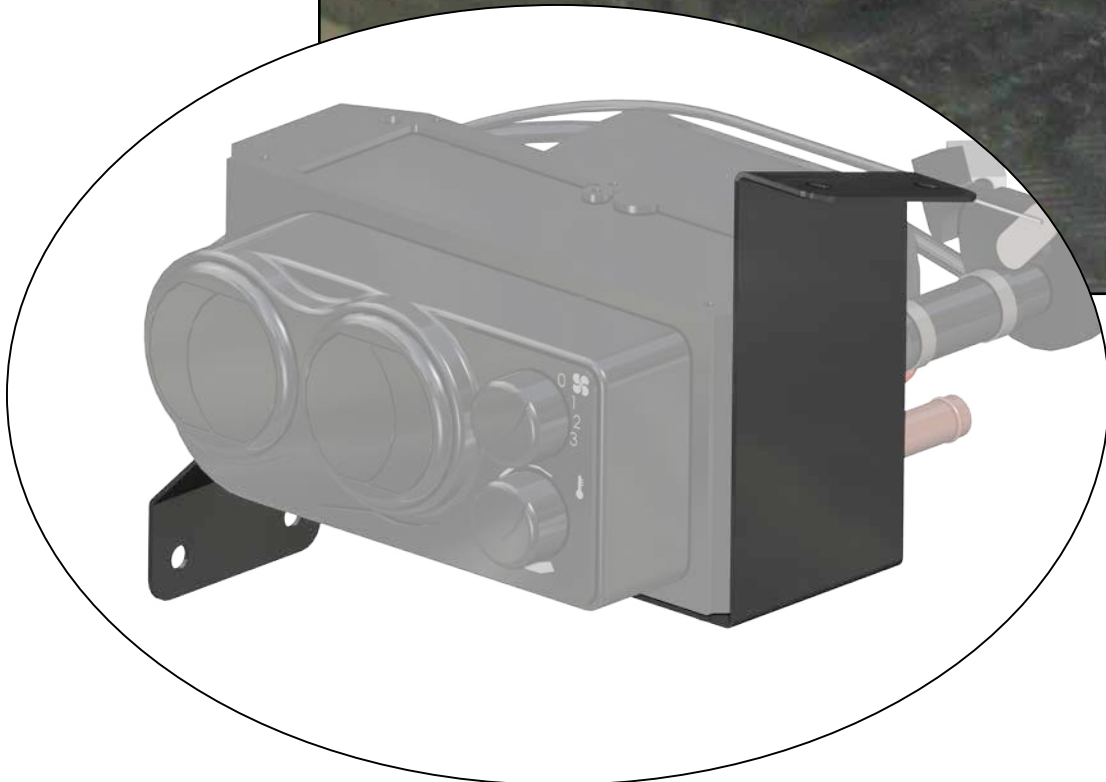


temporarily install Bracket to Heater with hardware shown;
do not tighten completely





- place assembly against Panel and Glovebox
- mark Bracket hole locations
- ensure that Glovebox can open completely
- drill Ø8mm holes into Glovebox

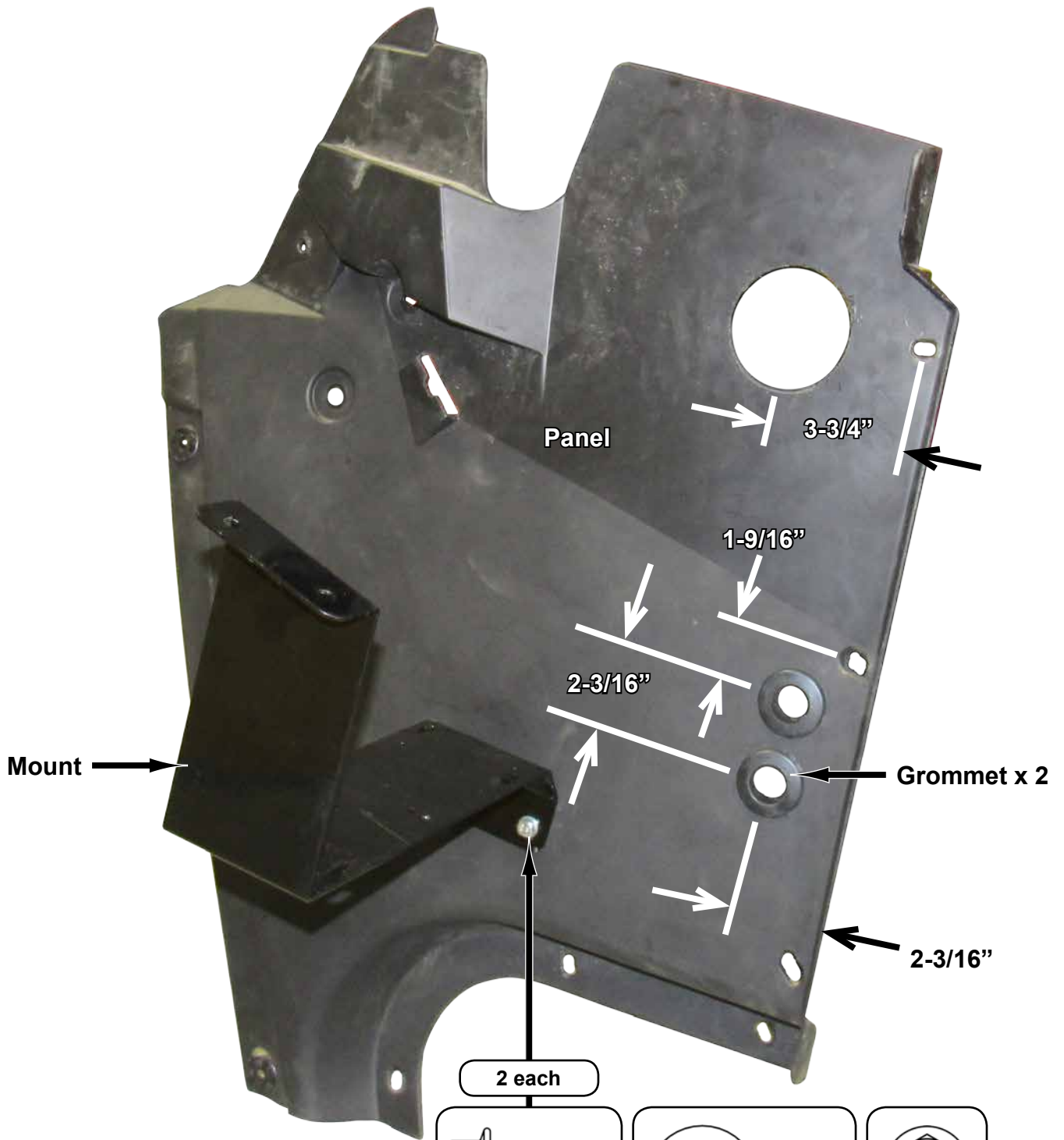


remove Bracket from Heater

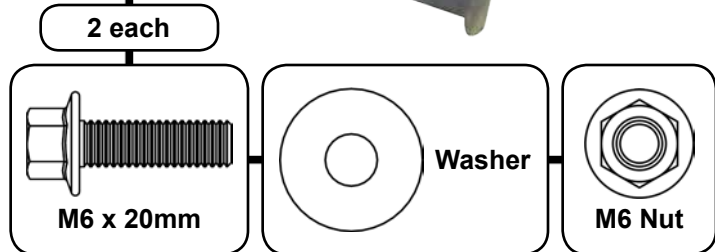
- remove Glovebox and Panel



- mark locations and drill holes into Panel as shown; use provided Hole Saws
- install Grommets

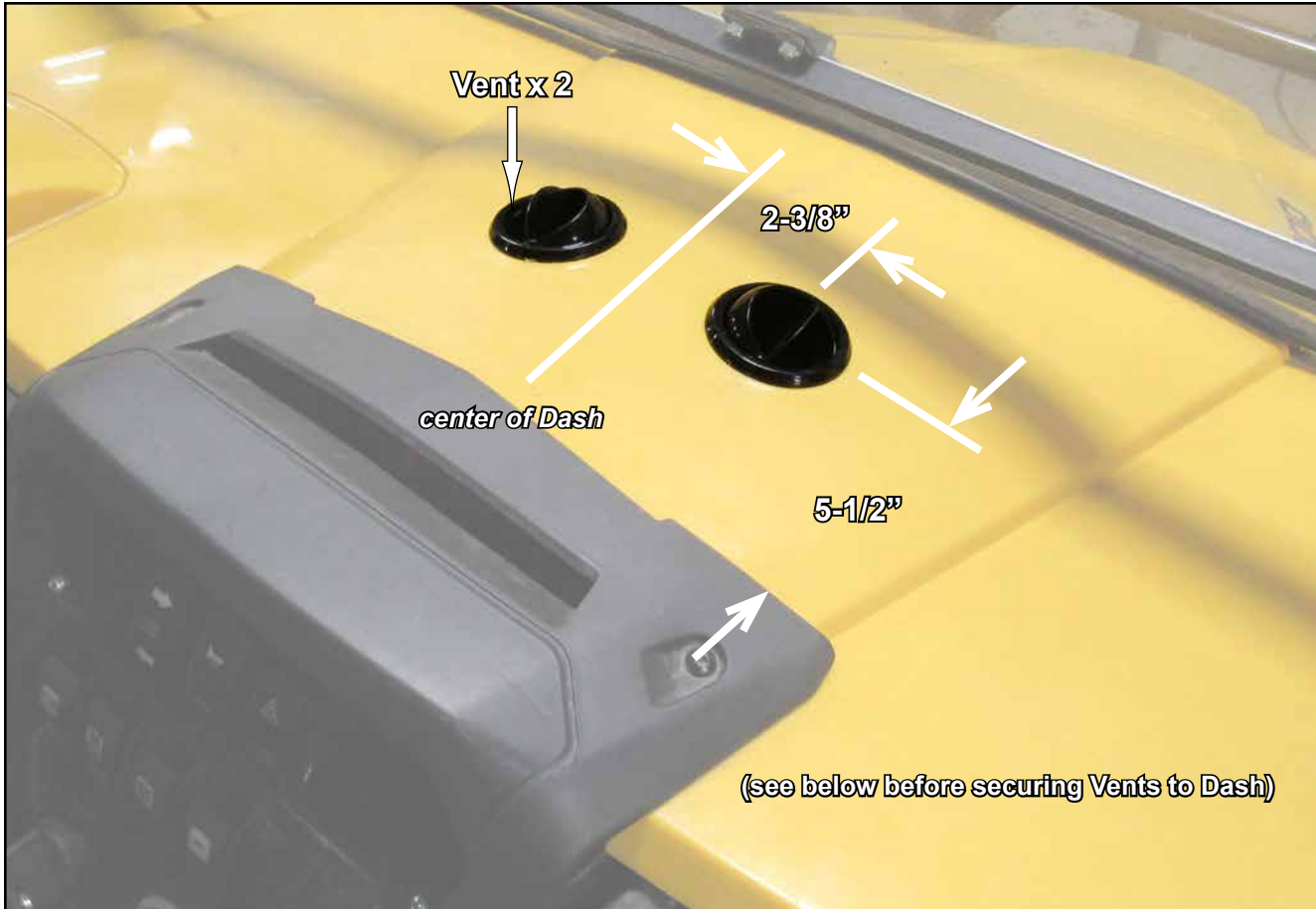


- drill $\text{\O}8\text{mm}$ holes into Panel and secure Mount with hardware shown
- tighten hardware completely

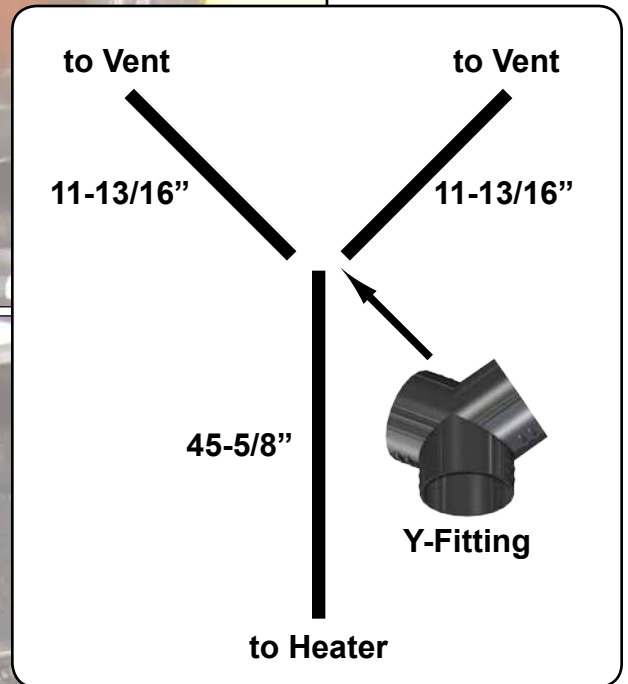
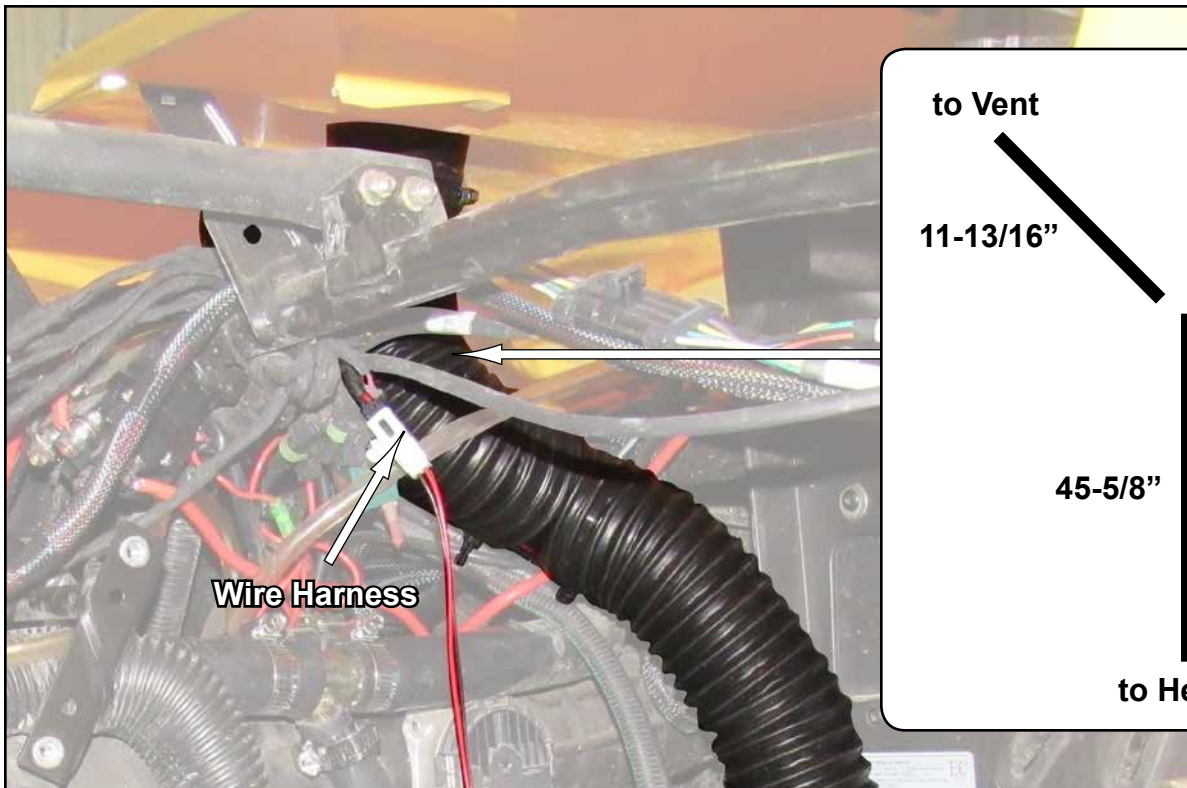


- mark centers and use provided $\text{Ø}3''$ Hole Saw to make holes
- installer may locate Vents in a different location. Verify that Ducting will reach before drilling holes

-Maverick models see following page-



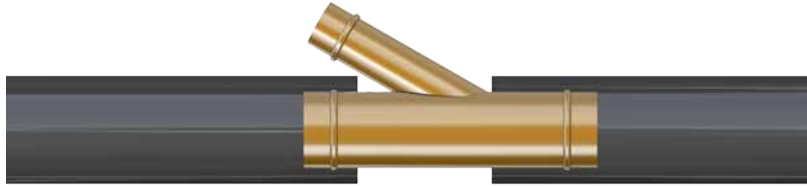
- cut Ducting to lengths shown and secure to Vents with Wire Ties
- connect Wire Harness; a stock power connection is available in area shown



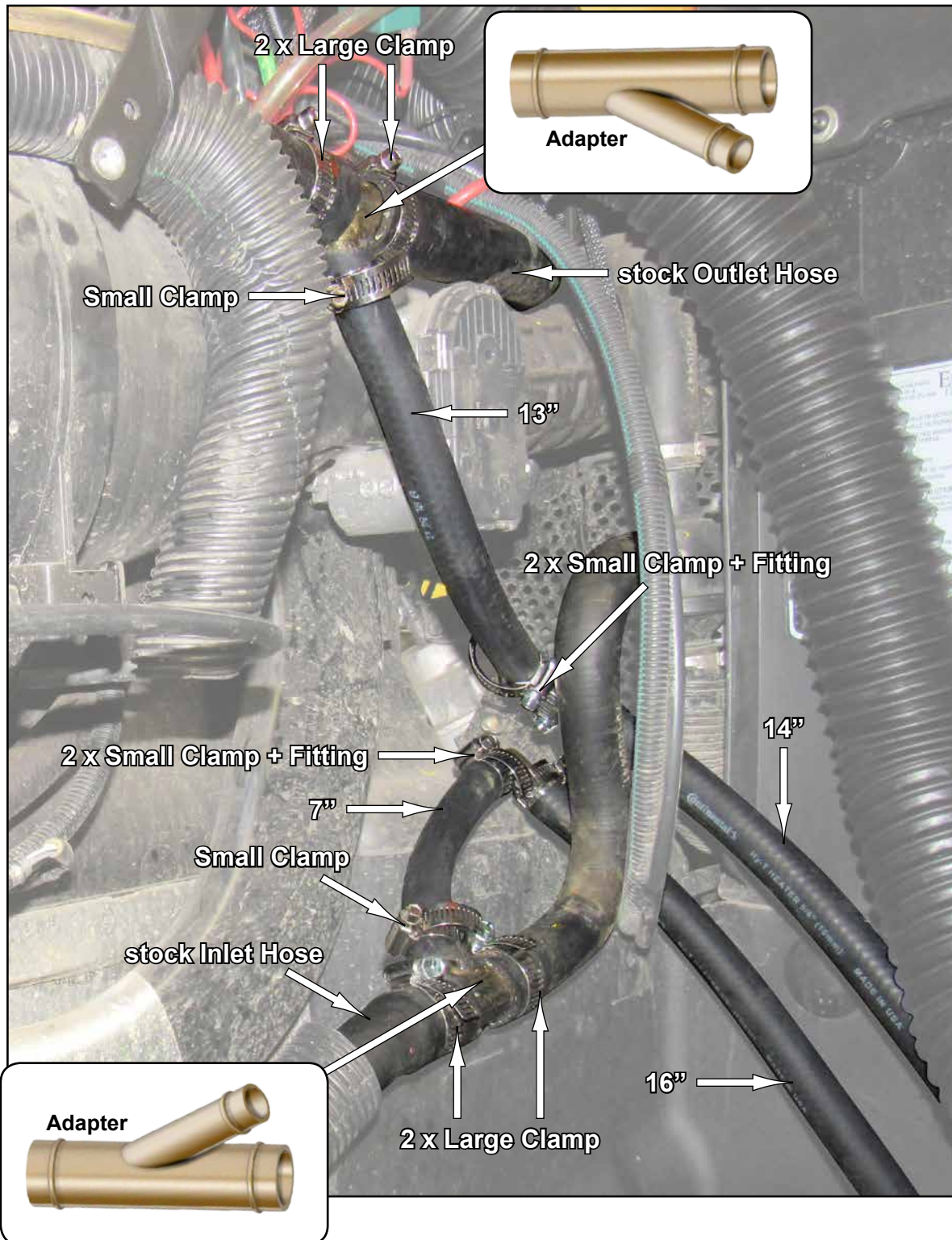
Maverick models:



To prevent stock Radiator Hoses from being cut short, use provided Adapters as templates.



- mark locations on stock Inlet and Outlet Hoses
- cut stock Hoses and install Adapters
- secure with provided Clamps shown
- cut Tubing to lengths shown below and secure to Adapters with provided Clamps



- insert Hoses into Grommets and secure Panel



- reinstall Glovebox

- secure Bracket to Glovebox with hardware shown
- secure Heater to Bracket; see page 3
- connect Tubes to Heater and secure with provided Clamps
- install Defrost Bracket and Elbow to Heater; see illustration
- secure Ducting to Elbow with provided wire tie
- connect Wire Harness to Heater



- insert Elbow into Defrost Bracket
- insert Elbow into opening in Heater
- secure Defrost Bracket with hardware shown

