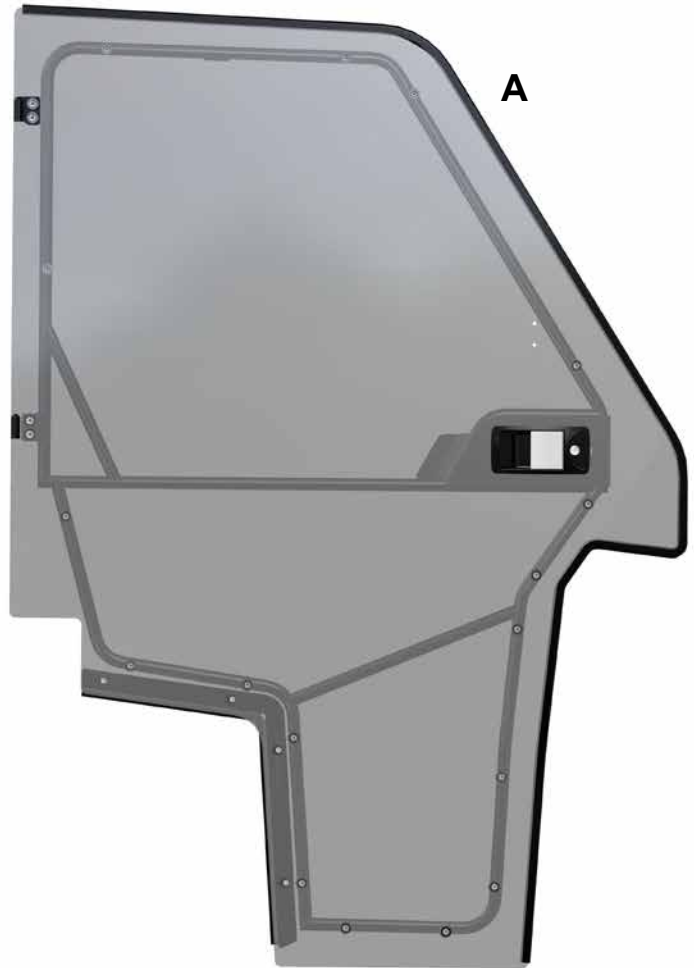


Item	Description
A	Passenger Side Door
B	Driver Side Door



*(kit contents continue on following pages)*

**Need help with your installation?**



sales@superatv.com



www.superatv.com



1-855-743-3427



8:00am - 9:00pm EST M-Th  
 8:00am - 7:00pm EST Friday  
 9:00am - 2:00pm EST Saturday

**Read instructions and view illustrations before beginning.**

*Thank You  
 For Choosing*





**KEYS ARE LOCATED UNDER ORANGE TAPE. DO NOT DISCARD.**




Item	Description
C	Driver Frame Bracket
D	Passenger Frame Bracket
E	Driver Male Hinge
F	Passenger Male Hinge
G	Driver Lower Bracket
H	Passenger Lower Bracket
J	Driver Middle Bracket


(kit contents continued)

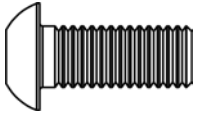
Item	Description
K	Passenger Middle Bracket
L	Driver Top Bracket
M	Passenger Top Bracket
N	Gas Strut Mount
P	Driver Striker Bracket
Q	Passenger Striker Bracket
R	Gas Strut



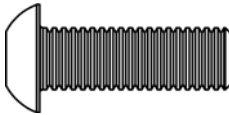
(kit contents continued)

4x  M5-.80 x 20mm Lg. FHCS

4x  M5-.80 Nylock Nut

24x  M8-1.25 x 20mm Lg. BHCS

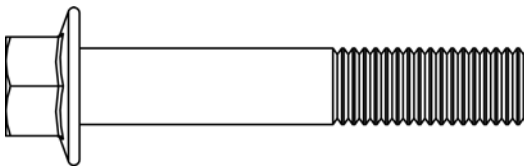
28x  M8-1.25 Nylock Nut

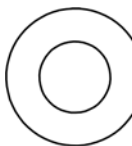
8x  M8-1.25 x 25mm Lg. BHCS

8x  M8 Acorn Nut

2x  M10-1.50 x 25mm Lg. FHCS

4x  M10-1.50 Nylock Nut

4x  M10-1.50 x 60mm Lg. FHCS

8x  M8 Washer

Spacers 

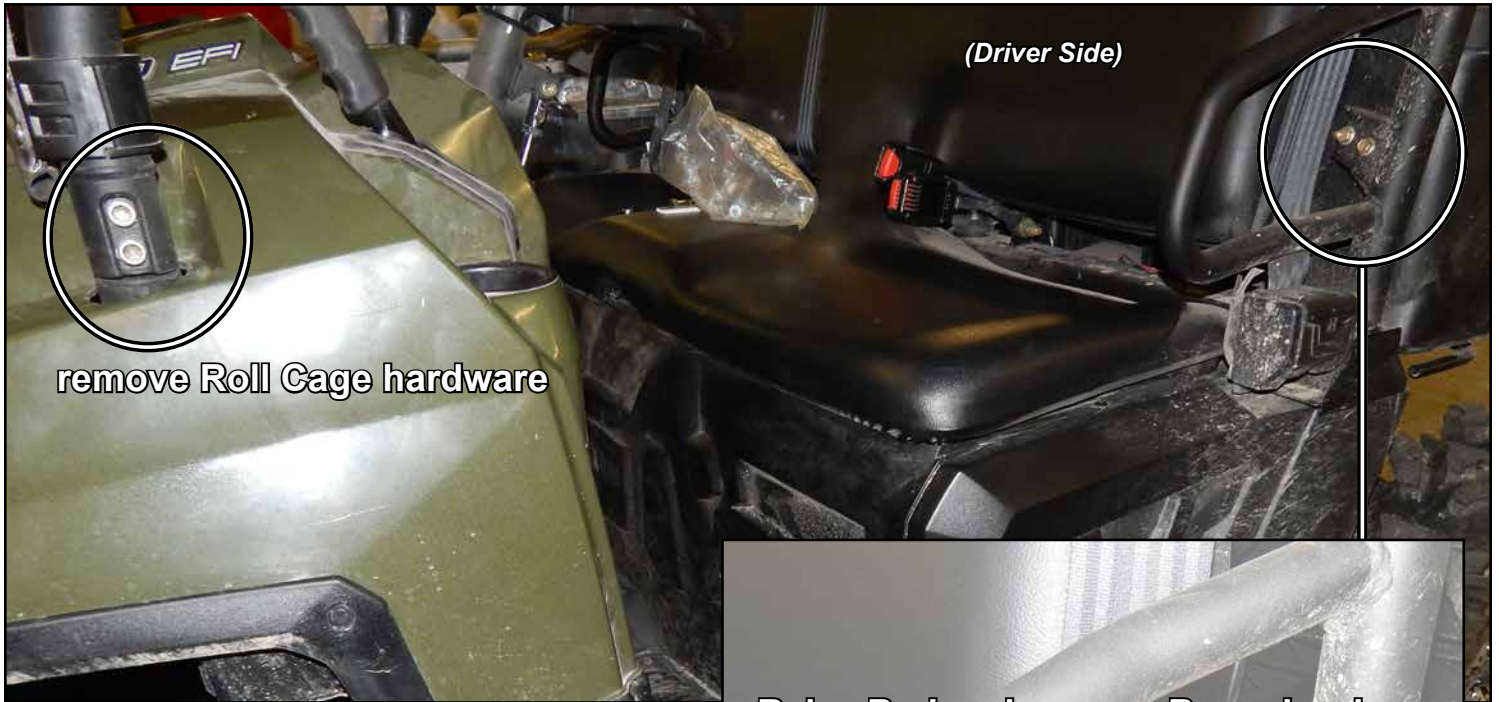
 Gasket

**Cleaning:**

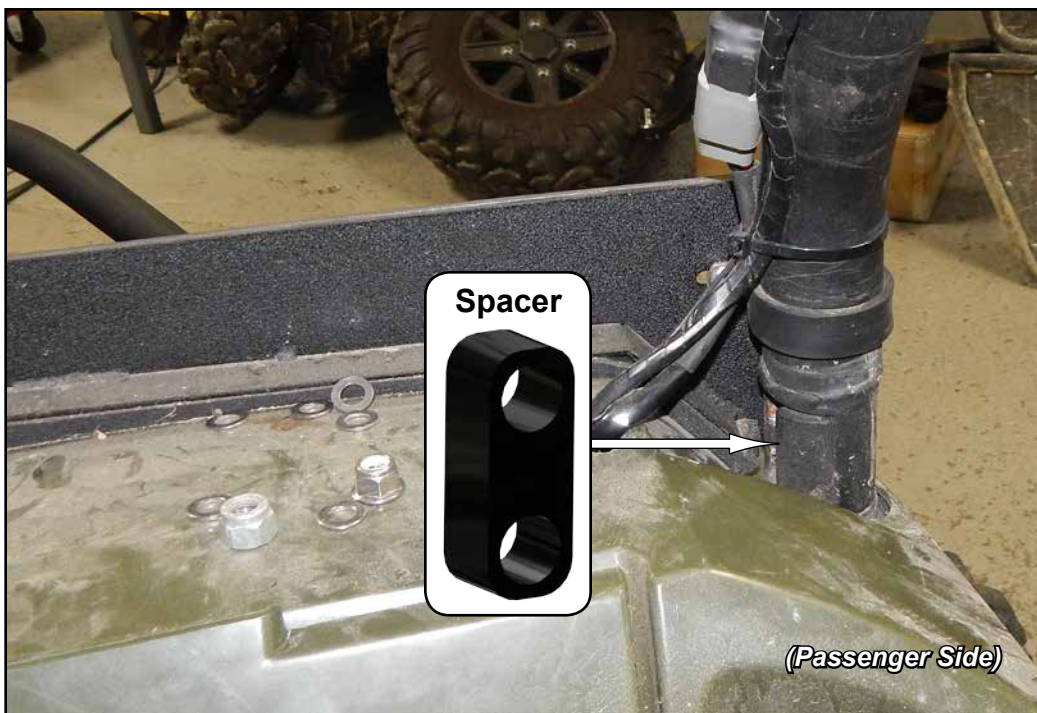
- Do not use window cleaning fluids (Windex, 409, etc) or any solvents (gasoline, denatured alcohol, acetone, etc).
  - Never use abrasive cleaners, abrasive pads, or gritty cloths.
  - Never use razor blades, scrapers, squeegees, brushes, etc.
1. Thoroughly rinse to float off dirt and mud.
  2. Using a soft cloth, or microfiber cloth, clean with warm water and a gentle detergent. Baby shampoo or hand washing soap are recommended.
  3. To prevent water spots, use a chamois to blot dry.

**Door Installation:** do not tighten hardware completely unless noted.

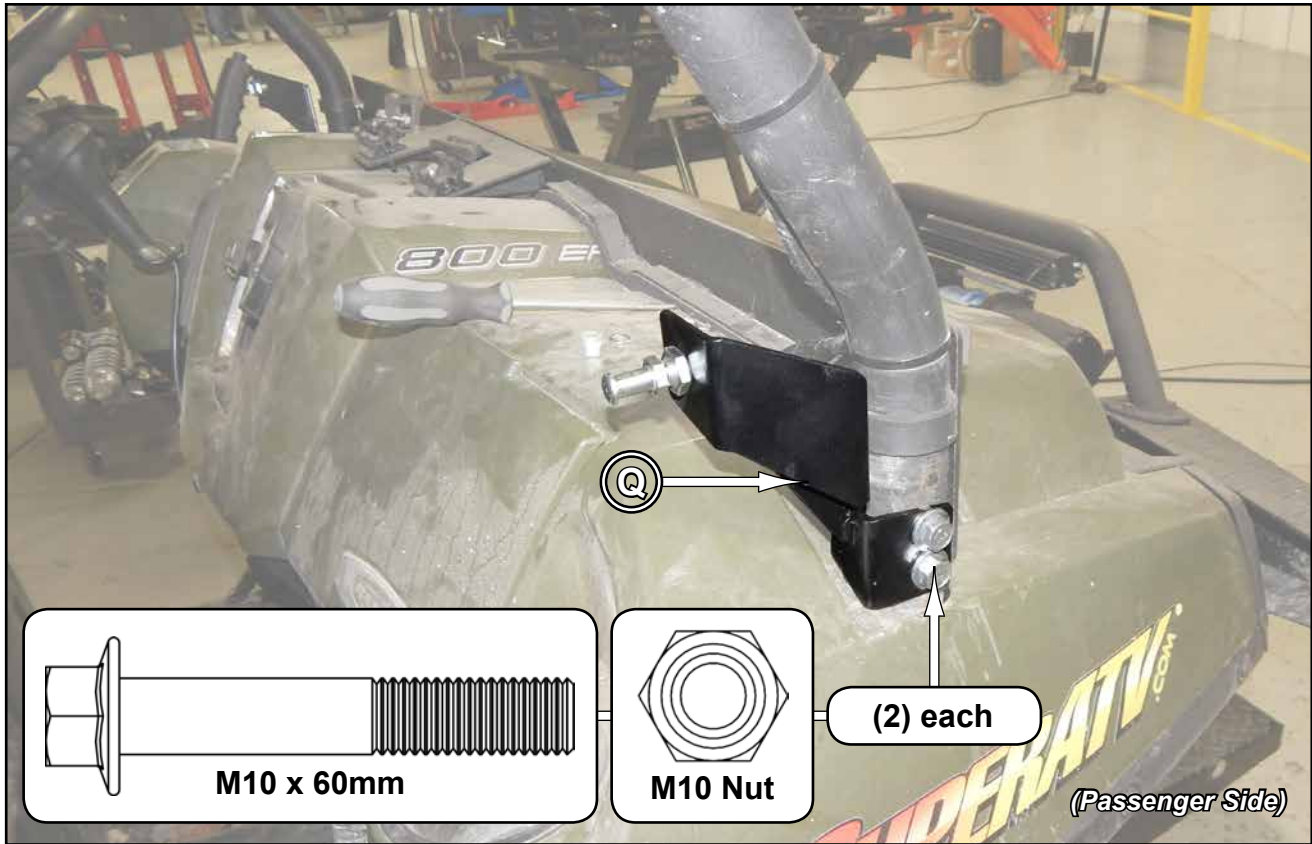
- Remove Roll Cage hardware and Brace hardware.



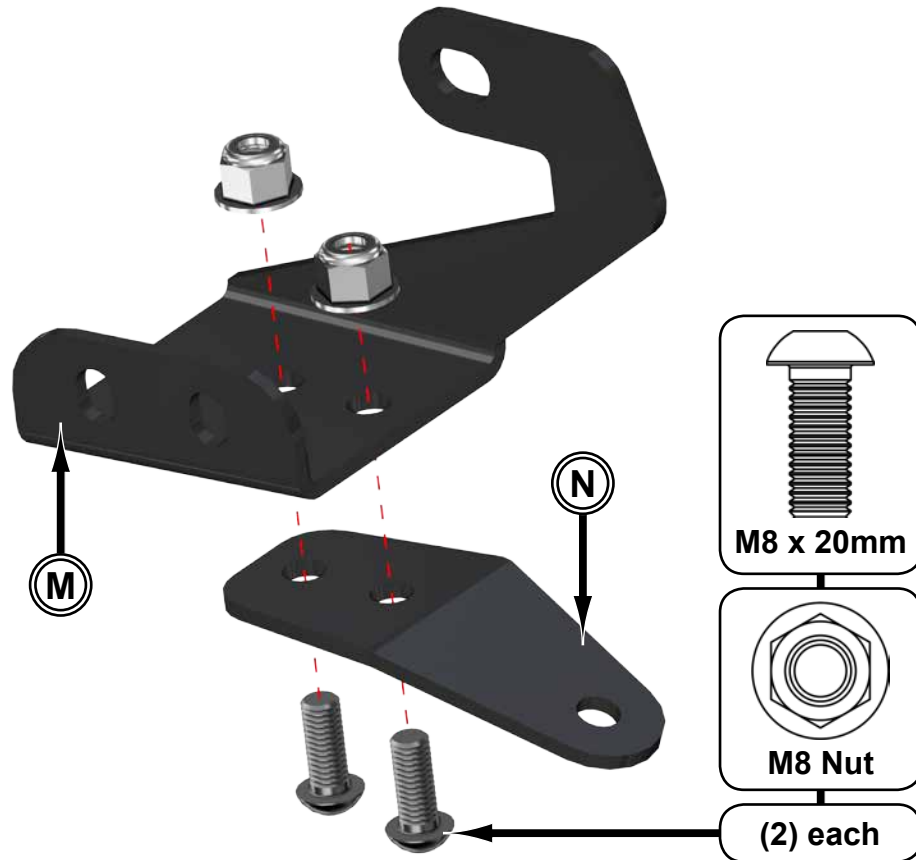
- Install Spacer into recess.



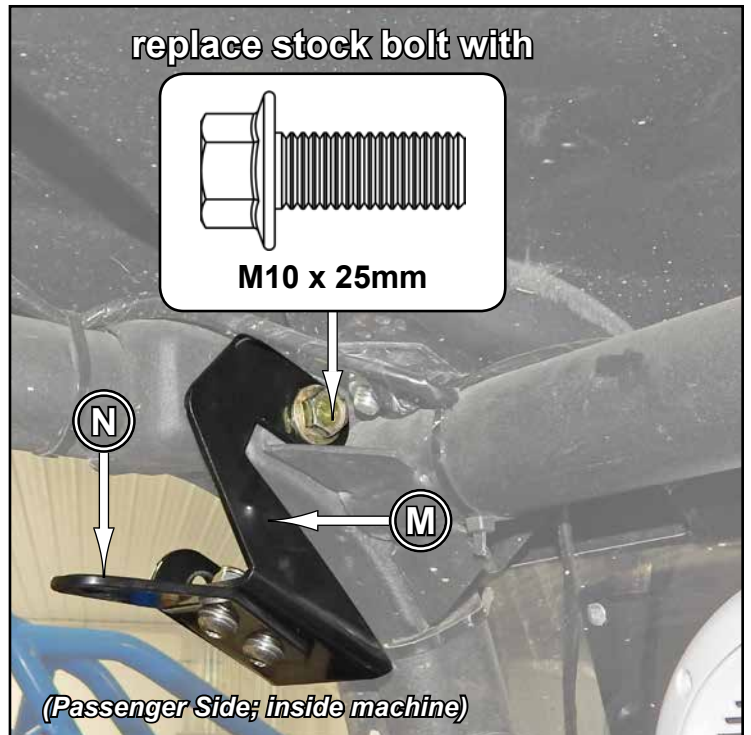
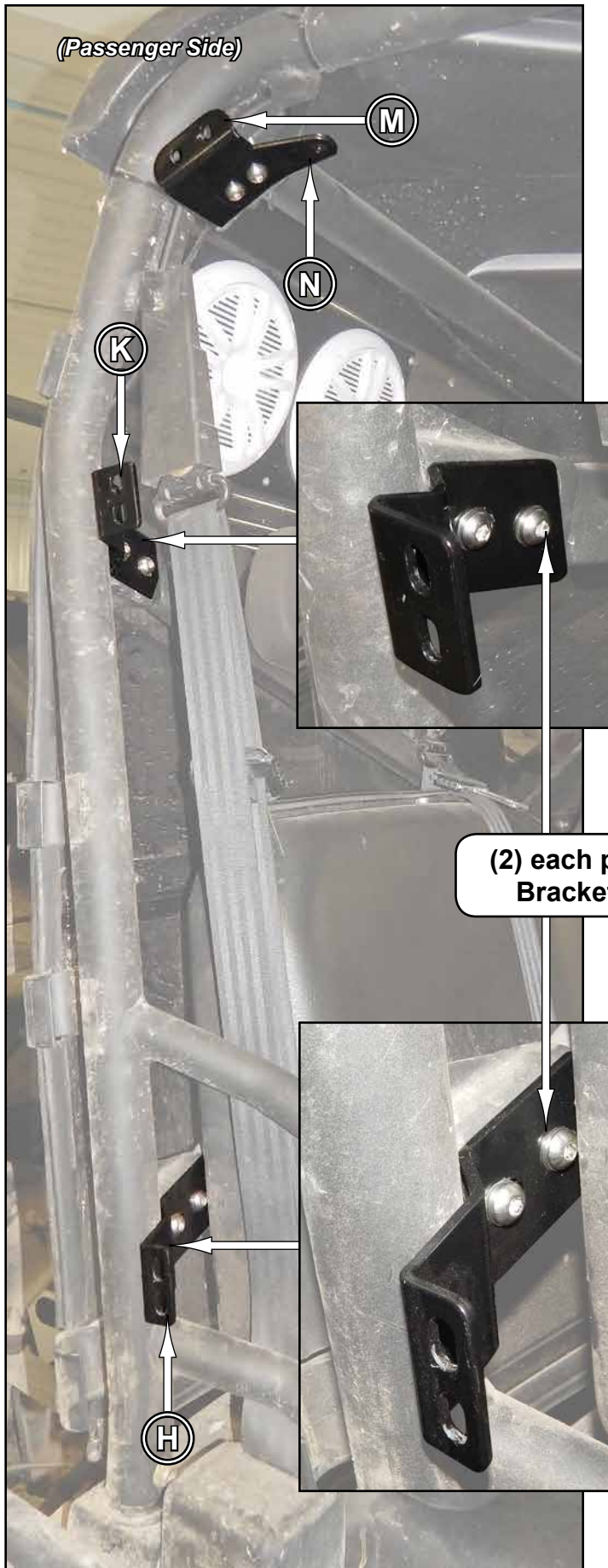
- Install Passenger Striker Bracket (Q) to Roll Cage with hardware shown.



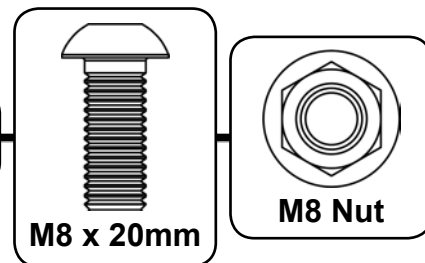
- Install Passenger Top Bracket (M) to Gas Strut Mount (N) with hardware shown.



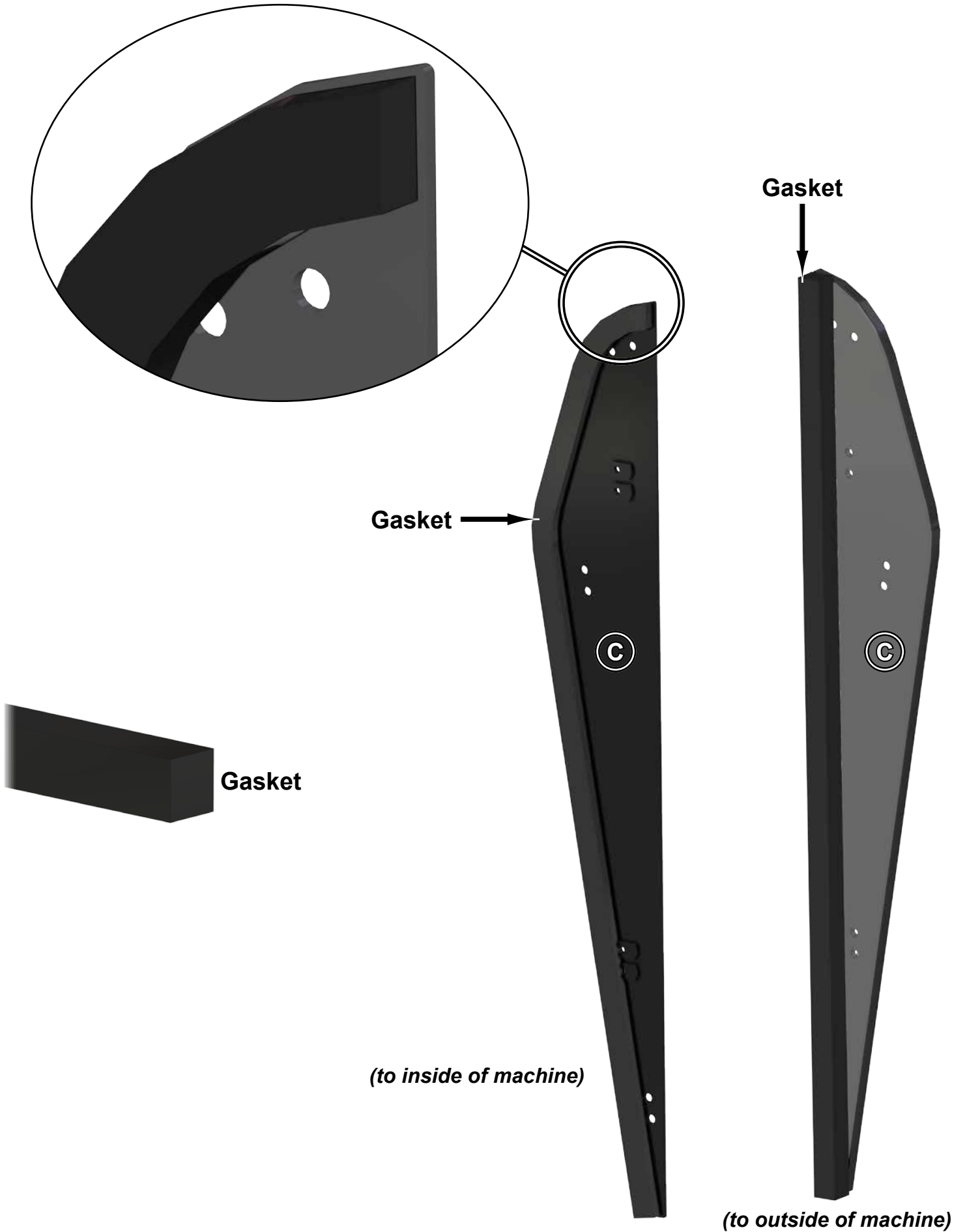
- Install Passenger Top Bracket (M) / Gas Strut Mount (N) assembly to Frame with hardware shown.



- Install Passenger Middle Bracket (K) and Passenger Lower Bracket (H) to Frame with hardware shown.

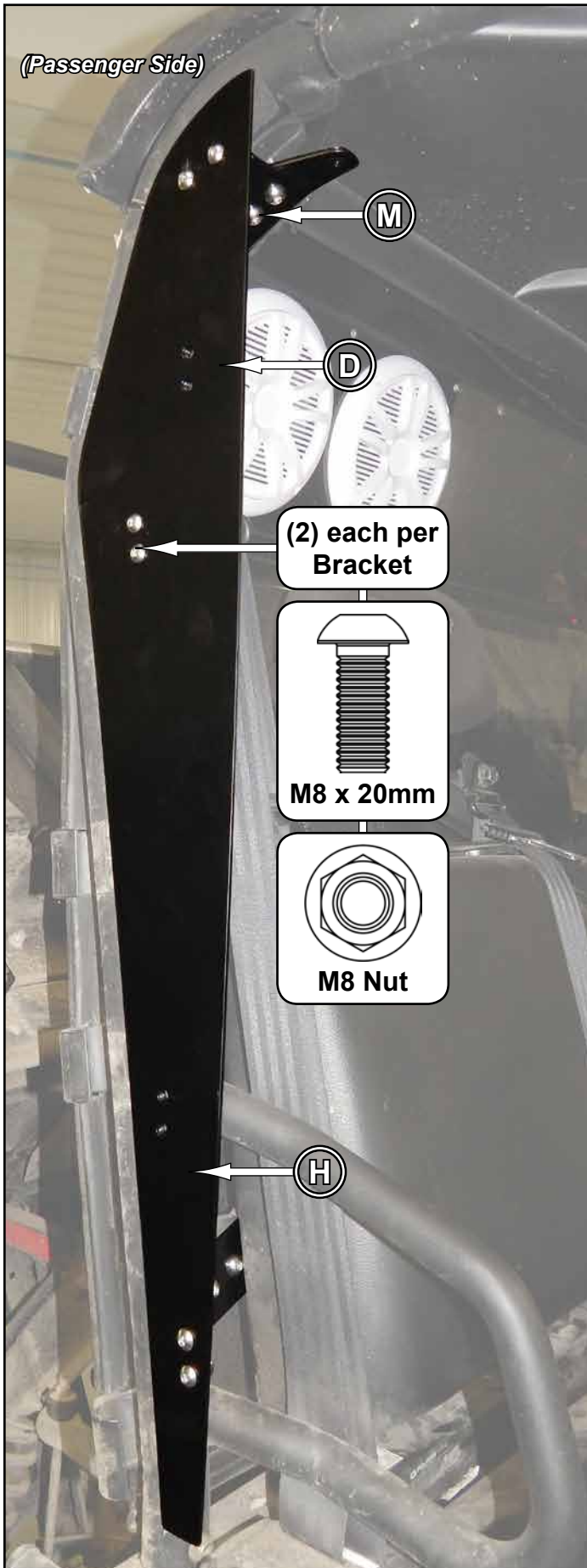


- Install Gasket to locations shown on Driver Frame Bracket (C) and Passenger Frame Bracket (D).

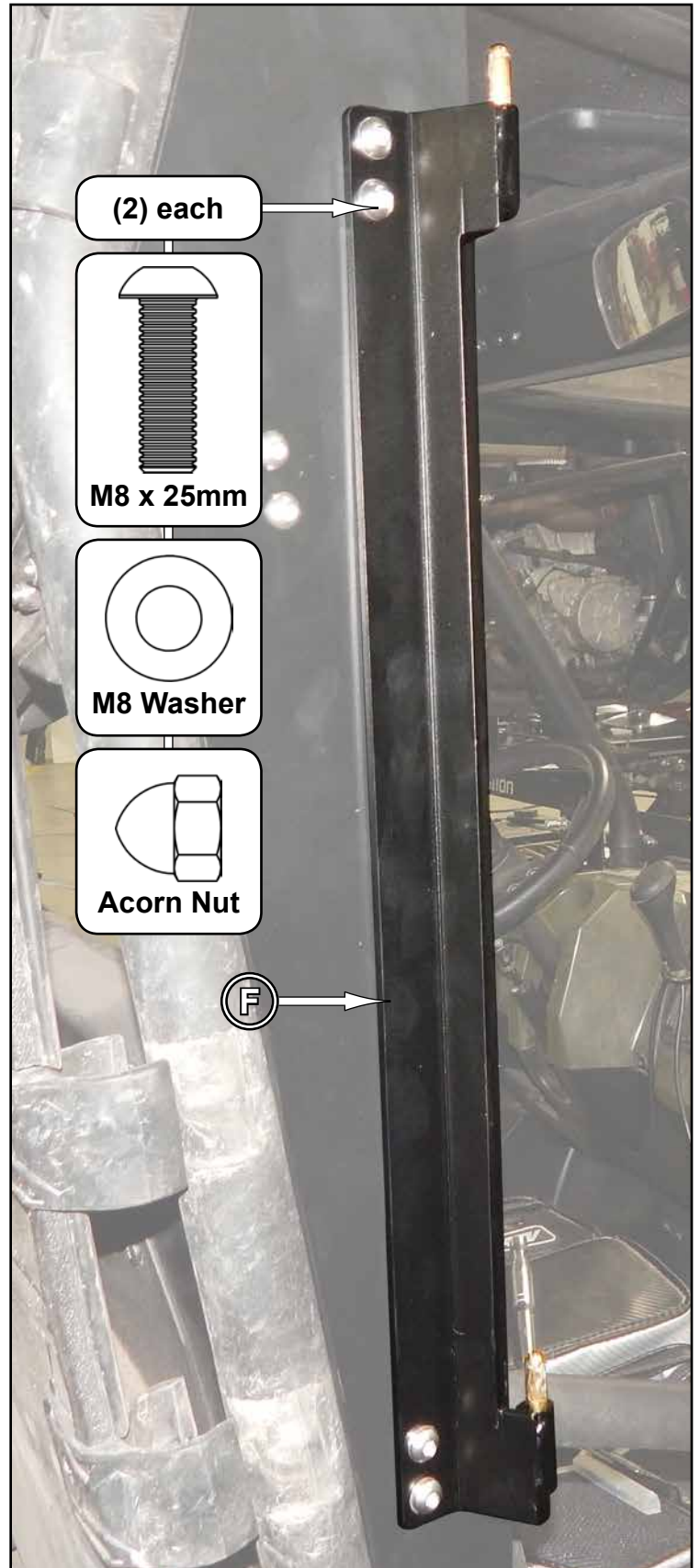




- Install Passenger Frame Bracket (D) to Passenger Top Bracket (M), Passenger Middle Bracket (K), and Passenger Lower Bracket (H) with hardware shown.



- Install Passenger Male Hinge (F) to Passenger Frame Bracket (D) with hardware shown.



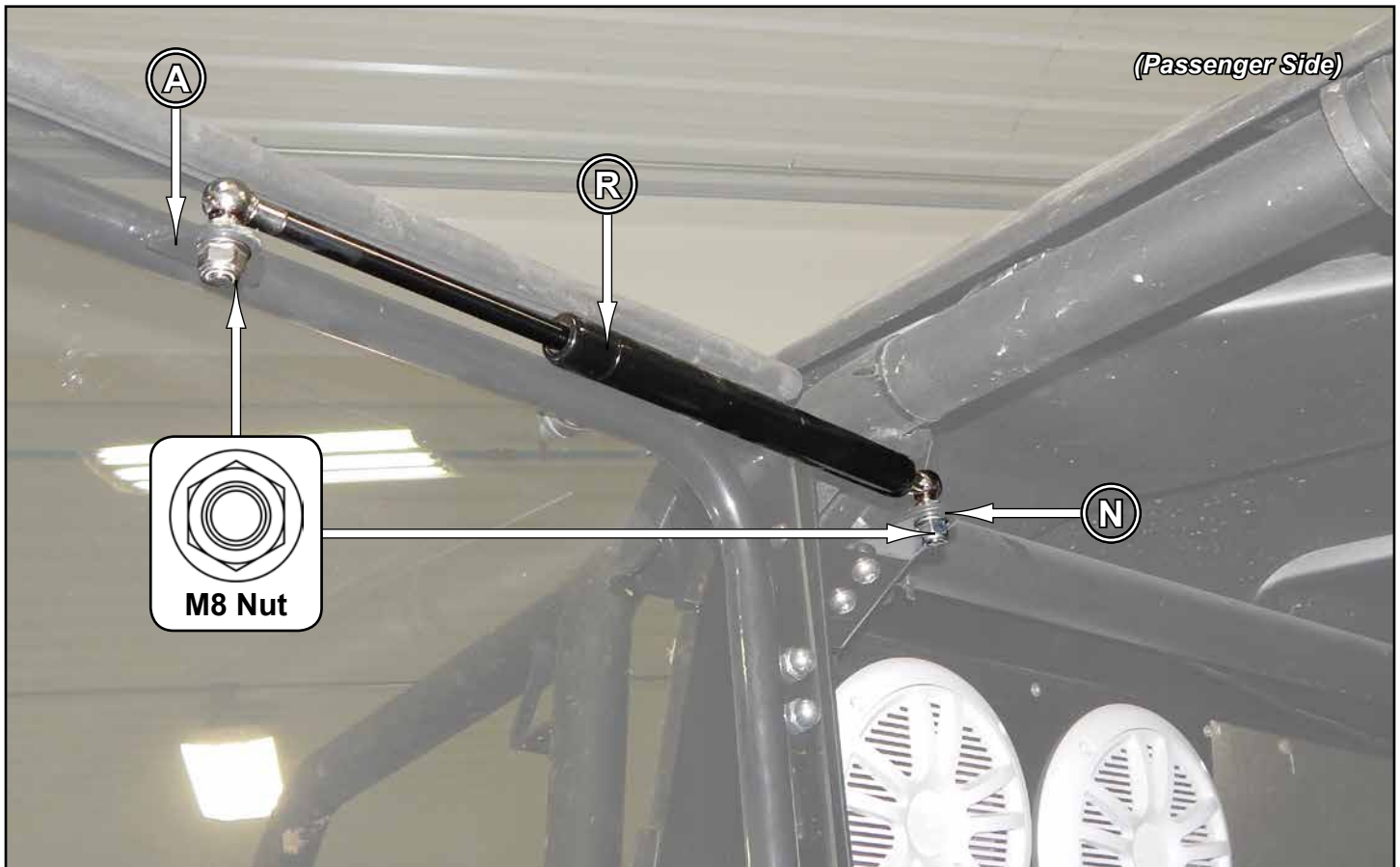
- Install Passenger Side Door (A) onto Passenger Male Hinge (F).



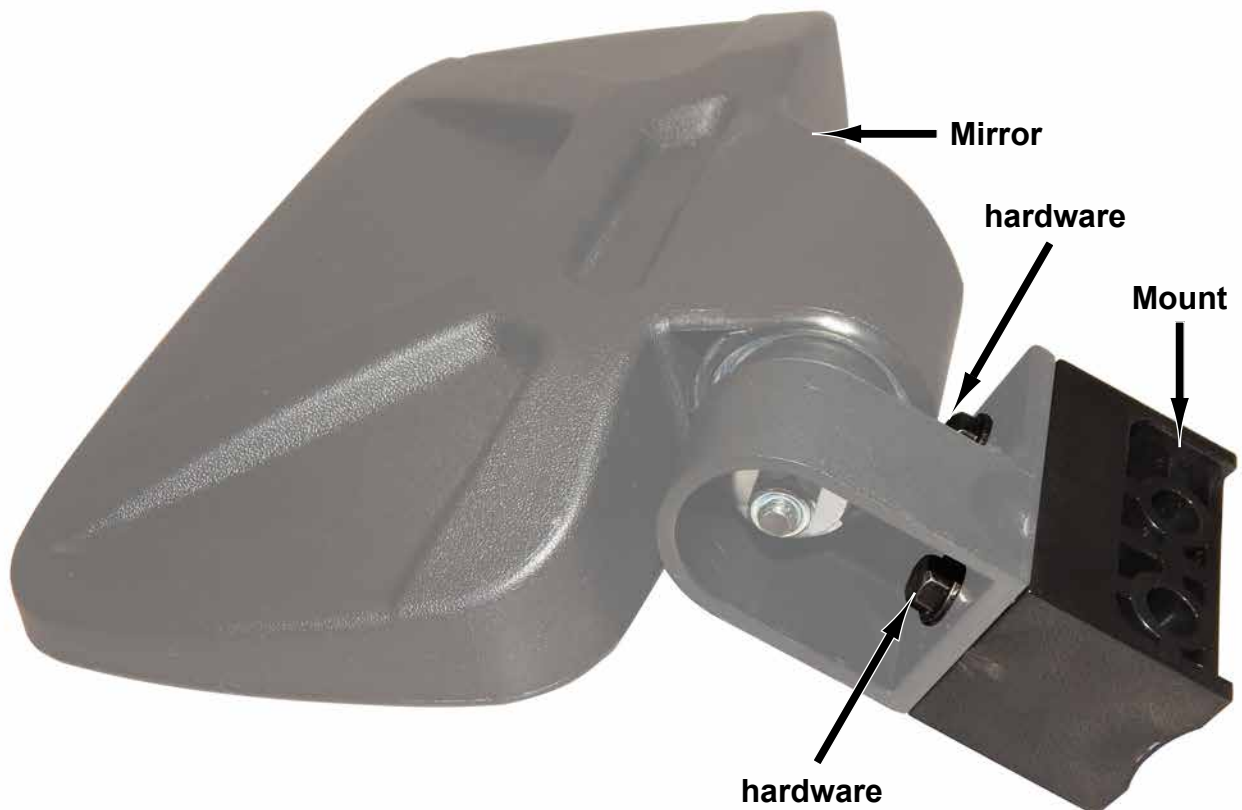
- Close Door, engage Latch / Striker Pin, and align Door to machine. Tighten all hardware completely.



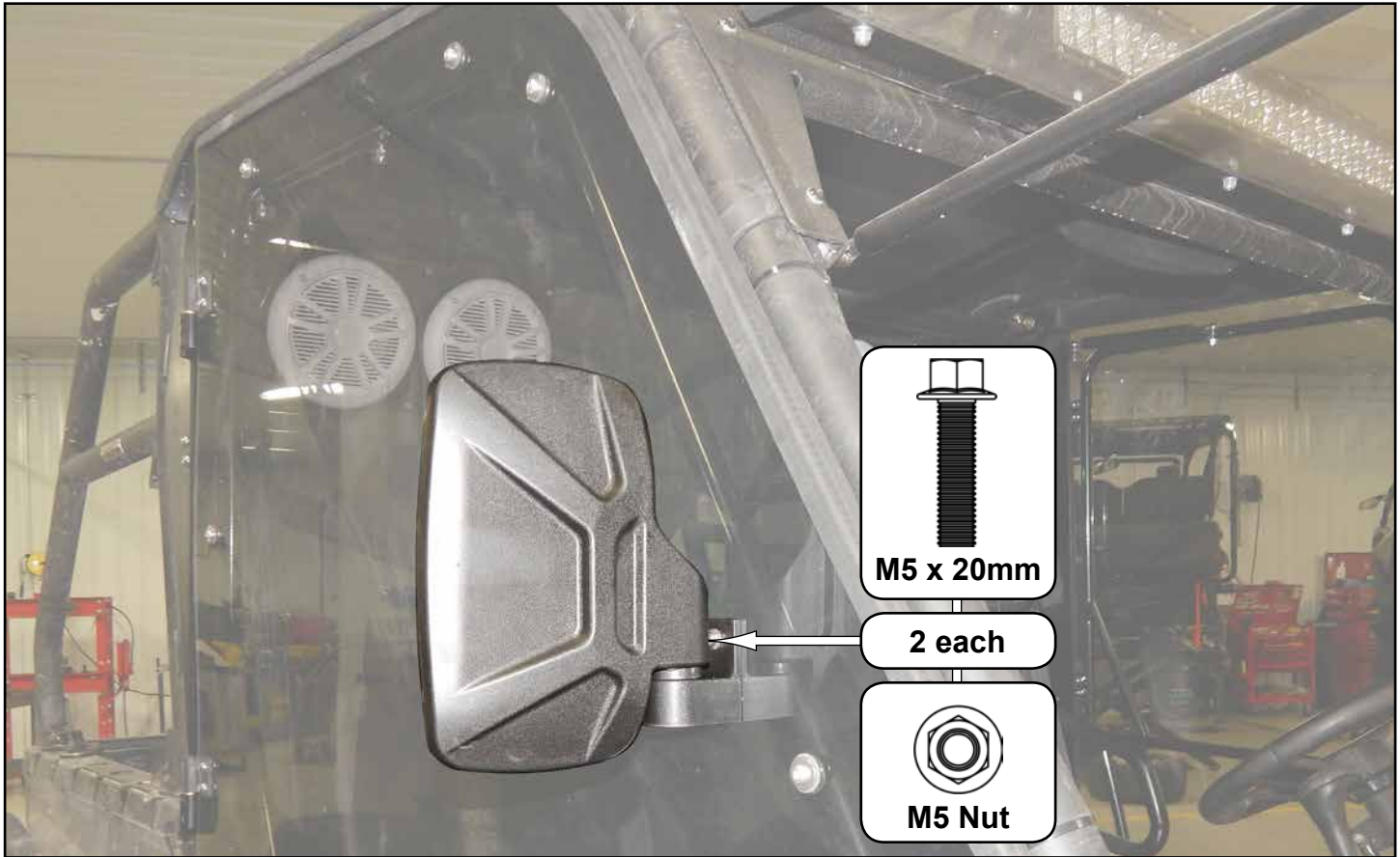
- Install Gas Strut (R) to Passenger Side Door (A) and Gas Strut Mount (N) with hardware shown.



- Remove installed Mounts on Mirrors. Use 8mm wrench. Discard Mount and hardware.



- Install Mirror to Passenger Side Door (A) with hardware shown. Tighten hardware.



- Repeat steps for opposite Door installation.

#### Liability Statement

SuperATV's® products are designed to best fit user's ATV/UTV under stock conditions. Adding, modifying, or fabricating any factory or aftermarket parts will void any warranty provided by SuperATV® and is not recommended. SuperATV's® products could interfere with other aftermarket accessories. If user has aftermarket products on machine, contact SuperATV® to verify that they will work together.

Although SuperATV® has thousands of satisfied customers, user should be aware that installing lift kits, long travel, or suspension kits, tires, etc. will change the ride of machine and may increase maintenance and part wear. Operating any off-road machine while, or after, consuming alcohol and/or drugs increases risk of bodily harm or death. No warranty or representation is made as to this product's ability to protect user from severe injury or death. SuperATV® urges operators and occupants to wear a helmet and appropriate riding gear at all times.

By purchasing and installing SuperATV® products, user agrees that should damages occur, SuperATV® will not be held responsible for loss of time, use, labor fees, replacement parts, or freight charges. SuperATV®, nor any 3rd party, will not be held responsible for any direct, indirect, incidental, special, or consequential damages that result from any product purchased from SuperATV®. The total liability of seller to user for all damages, losses, and causes of action, if any, shall not exceed the total purchase price paid for the product that gave rise to the claim.

SuperATV® will warranty only parts provided by SuperATV®. Any damage or problems with OEM housings, bearings, seals, or other manufacturers' products will not be covered by SuperATV®. SuperATV® parts and products are not warranted if item was not installed properly, misused, or modified.

Installing, adding, modifying, or fabricating any factory or aftermarket product to your ATV/UTV may violate certain local, state, and federal laws. Be advised that laws vary depending on town, city, county, state, etc. Use of certain products on public streets, roads, or highways may be in violation law. The Buyer is solely and exclusively legally and personally responsible for any violation of the law by the installation or use of the product. You must abide by all local, state, and federal laws, including but not limited to vehicle safety, traffic laws, and ordinances. It is your responsibility to know the laws and how they apply to you.

The Buyer is responsible to fully understand the capability and limitations of his/her vehicle according to manufacturer specifications, warnings and instructions and agrees to hold SuperATV® harmless from any damage resulting from failure to adhere to such specifications, warnings and/ or instructions. The Buyer is also responsible to obey all applicable federal, state, and local laws and ordinances when operating his/her vehicle while using this product, and the Buyer agrees to hold SuperATV® harmless from any violation thereof.