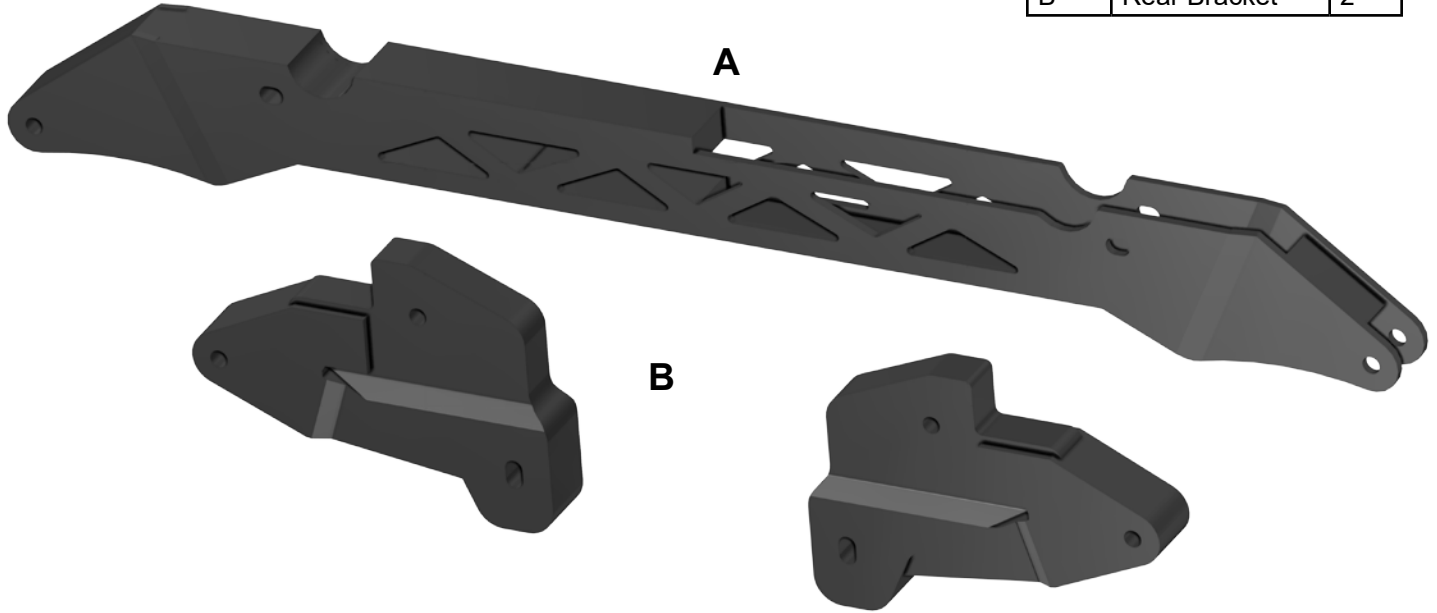


**INSTALLATION INSTRUCTIONS**  
**6" Lift Kit: for Honda Pioneer 1000**

Item	Description	Qty
A	Front Bracket	1
B	Rear Bracket	2



*(kit contents continue on following pages)*

**Liability Statement**

SuperATV's<sup>®</sup> products are designed to best fit user's ATV/UTV under stock conditions. Adding, modifying, or fabricating any factory or aftermarket parts will void any warranty provided by SuperATV<sup>®</sup> and is not recommended. SuperATV's<sup>®</sup> products could interfere with other aftermarket accessories. If user has aftermarket products on machine, contact SuperATV<sup>®</sup> to verify that they will work together.

Although SuperATV<sup>®</sup> has thousands of satisfied customers, user should be aware that installing lift kits, long travel, or suspension kits, tires, etc. will change the ride of machine and may increase maintenance and part wear. Operating any off-road machine while, or after, consuming alcohol and/or drugs increases risk of bodily harm or death. No warranty or representation is made as to this product's ability to protect user from severe injury or death. SuperATV<sup>®</sup> urges operators and occupants to wear a helmet and appropriate riding gear at all times.

By purchasing and installing SuperATV<sup>®</sup> products, user agrees that should damages occur, SuperATV<sup>®</sup> will not be held responsible for loss of time, use, labor fees, replacement parts, or freight charges. SuperATV<sup>®</sup>, nor any 3rd party, will not be held responsible for any direct, indirect, incidental, special, or consequential damages that result from any product purchased from SuperATV<sup>®</sup>. The total liability of seller to user for all damages, losses, and causes of action, if any, shall not exceed the total purchase price paid for the product that gave rise to the claim.

SuperATV<sup>®</sup> will warranty only parts provided by SuperATV<sup>®</sup>. Any damage or problems with OEM housings, bearings, seals, or other manufacturers' products will not be covered by SuperATV<sup>®</sup>. SuperATV<sup>®</sup> parts and products are not warranted if item was not installed properly, misused, or modified.

Installing, adding, modifying, or fabricating any factory or aftermarket product to your ATV/UTV may violate certain local, state, and federal laws. Be advised that laws vary depending on town, city, county, state, etc. Use of certain products on public streets, roads, or highways may be in violation law. The Buyer is solely and exclusively legally and personally responsible for any violation of the law by the installation or use of the product. You must abide by all local, state, and federal laws, including but not limited to vehicle safety, traffic laws, and ordinances. It is your responsibility to know the laws and how they apply to you.

The Buyer is responsible to fully understand the capability and limitations of his/her vehicle according to manufacturer specifications, warnings and instructions and agrees to hold SuperATV<sup>®</sup> harmless from any damage resulting from failure to adhere to such specifications, warnings and/ or instructions. The Buyer is also responsible to obey all applicable federal, state, and local laws and ordinances when operating his/her vehicle while using this product, and the Buyer agrees to hold SuperATV<sup>®</sup> harmless from any violation thereof.

**Need help with your installation?**

 sales@superatv.com    
  www.superatv.com  
 1-855-743-3427    
  8:00am - 9:00pm EST M-Th  
 8:00am - 7:00pm EST Friday  
 9:00am - 2:00pm EST Saturday

**Read instructions and view illustrations before beginning.**

*Thank You*  
*For Choosing*  
**SUPERATV**.COM<sup>®</sup>

### Front A-Arms:

Item	Description
D	Right Upper
E	Left Upper
F	Right Lower
G	Left Lower

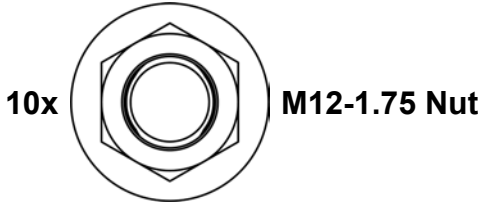
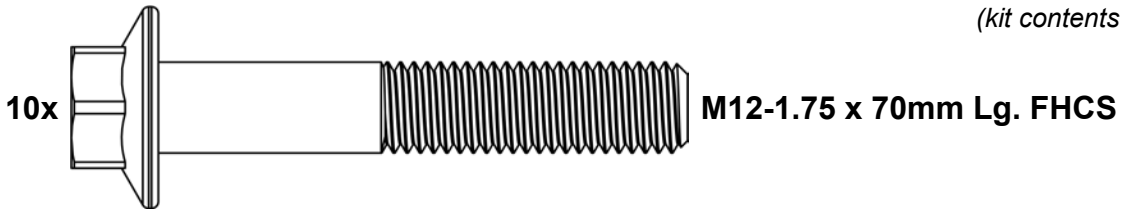


### Rear A-Arms:

Item	Description
H	Right Upper
J	Left Upper
K	Right Lower
L	Left Lower



(kit contents continued)



8 x Straight Fitting



6 x 90° Fitting

12 x Clip Hardware



12 x Clip

Steering Stop Kit



Wire Ties

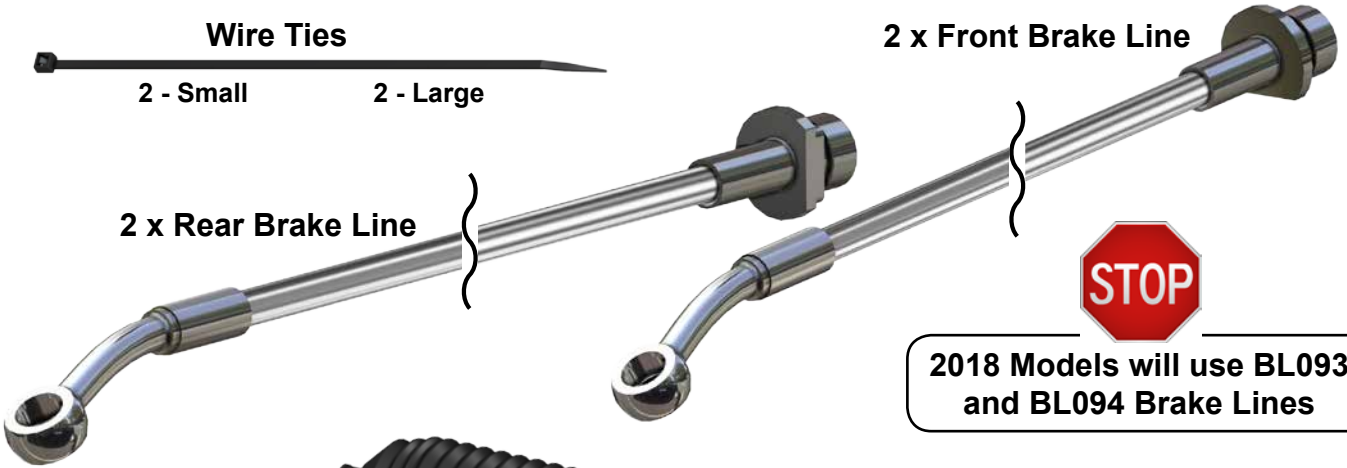


2 - Small

2 - Large

2 x Front Brake Line

2 x Rear Brake Line



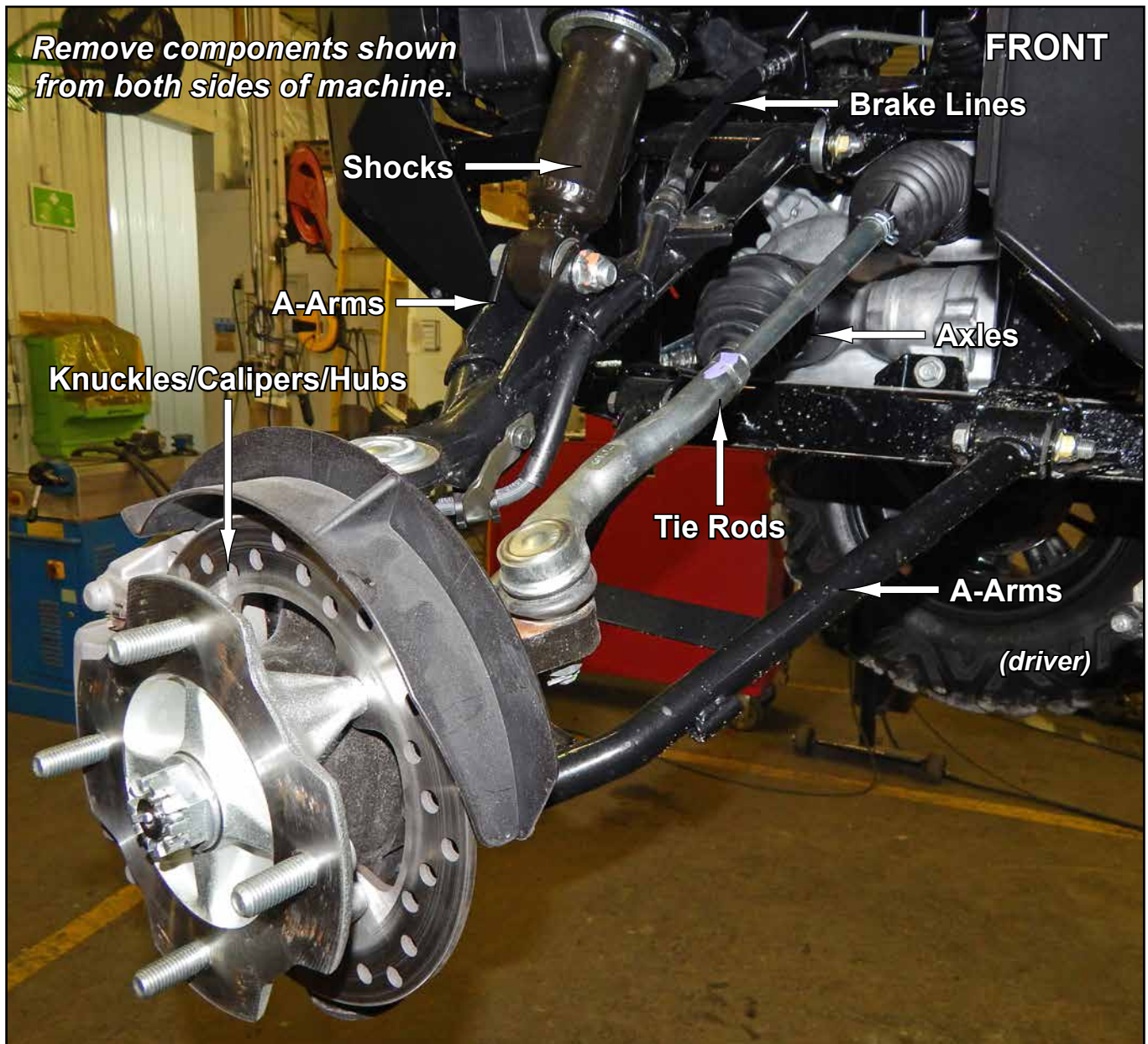
2018 Models will use BL093 and BL094 Brake Lines

Tie Rod Kit

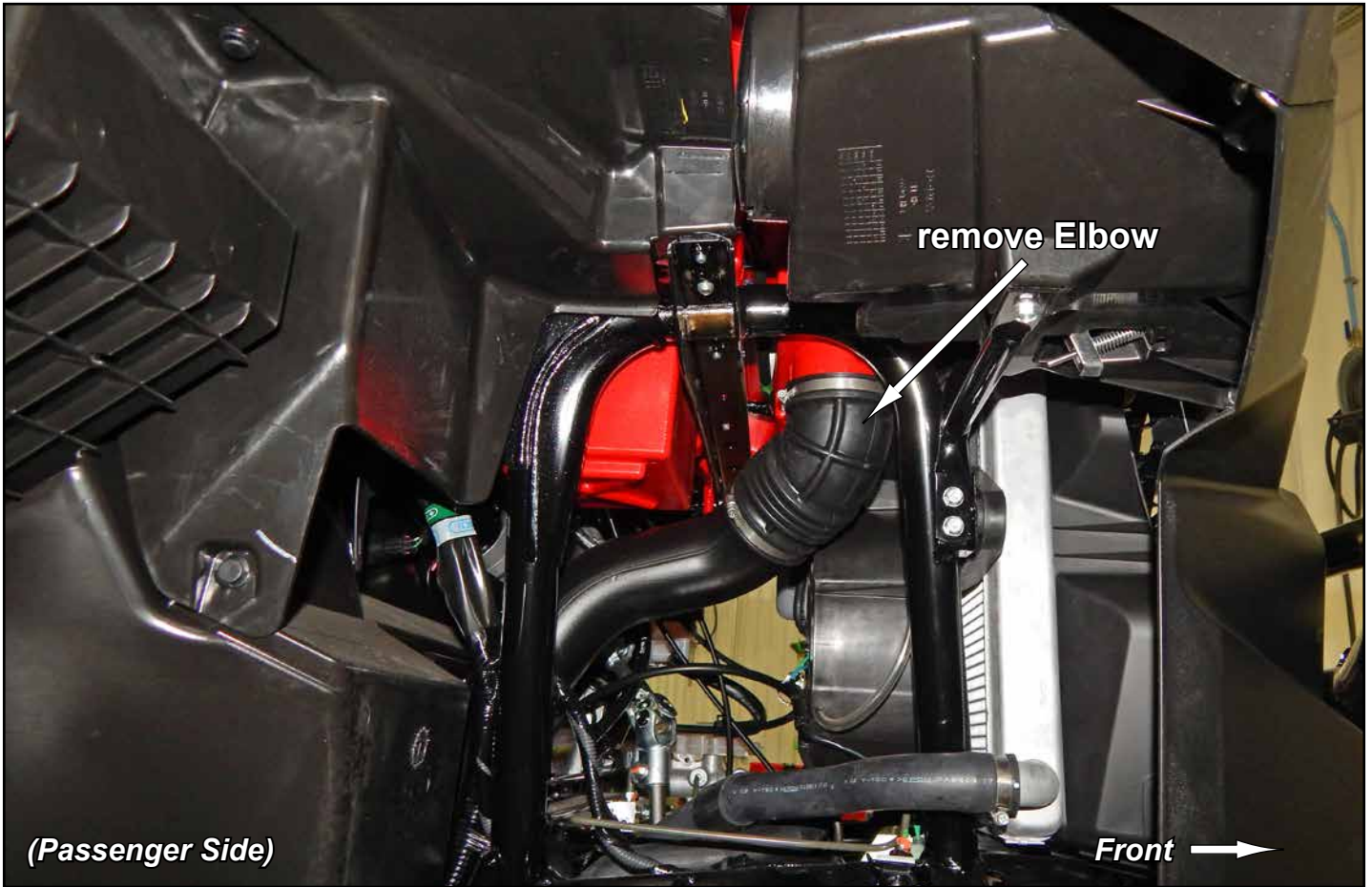




**Removal:** *keep all components removed from machine.*

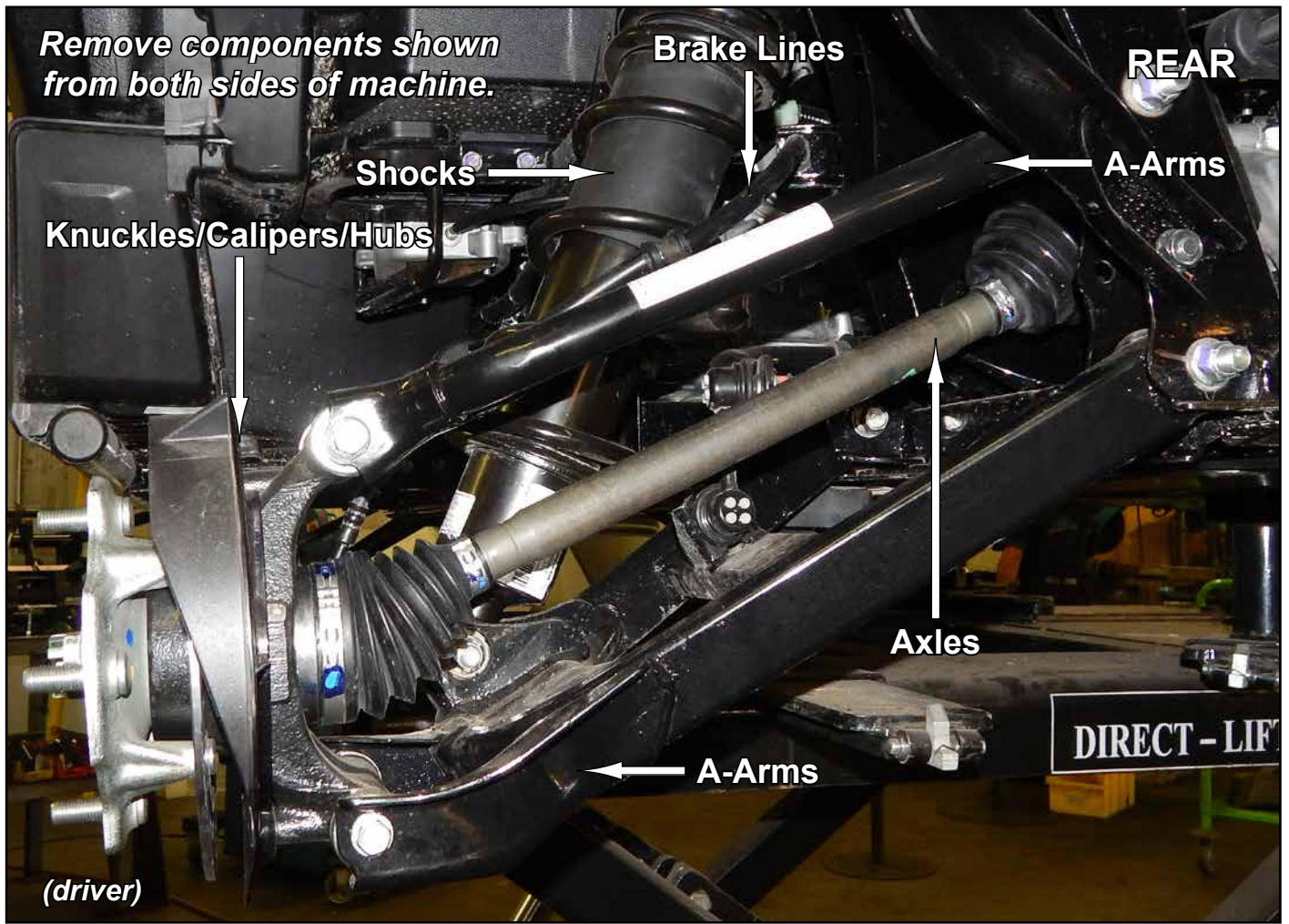


2018 Models must remove Elbow and Flap. Flap will not be reinstalled.



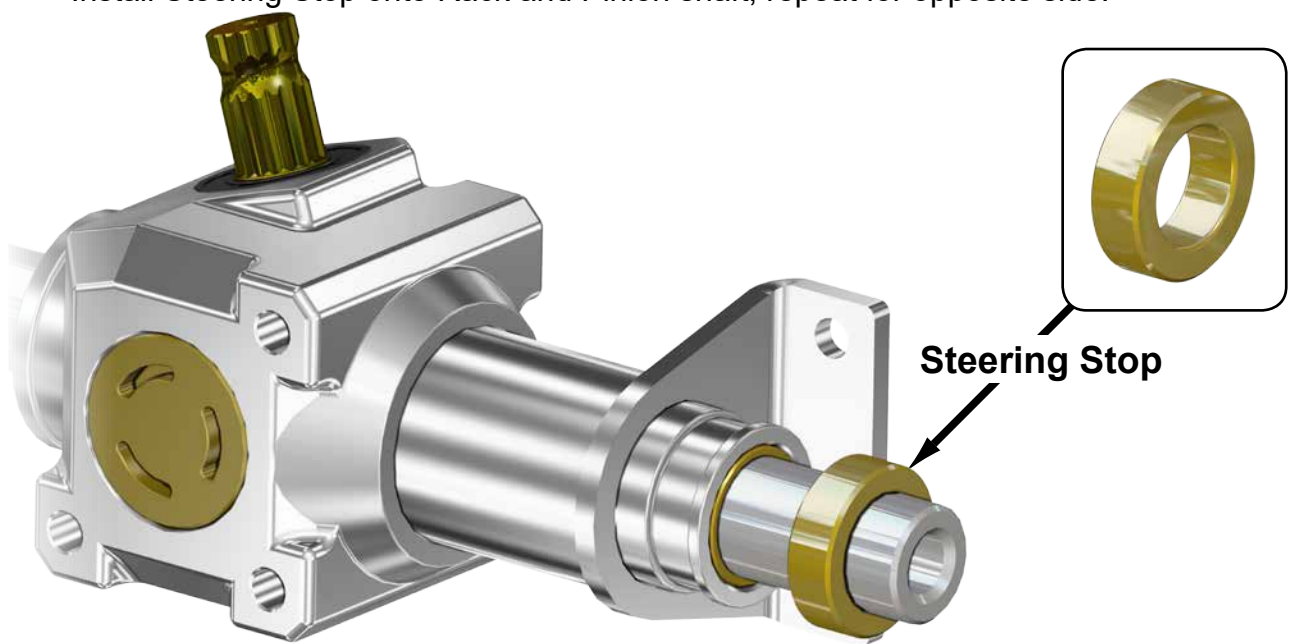


**Removal continued:**



**Steering Stop installation:** *Rack and Pinion shown off machine for clarity.*

- Install Steering Stop onto Rack and Pinion shaft; repeat for opposite side.

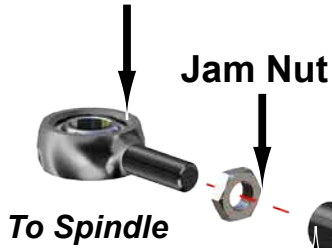


**Leave Boots off Rack and Pinion until new Tie Rods are installed.**

**Tie Rod installation continued:** *(Rack and Pinion shown off machine for clarity).*

- Install Ball and Socket to Rack and Pinion. **Use Loctite.**
- Remove, and keep, Jam Nut from Ball and Socket.
- Install Boot. Use a lubricant to ease installation.
- Reinstall Jam Nut and install Tie Rod Shaft to Ball and Socket.
- Secure Boot with Wire Ties.
- Install Tie Rod End to Shaft.
- Repeat steps for opposite side.

**Tie Rod End**



**Shaft**

**Jam Nut**

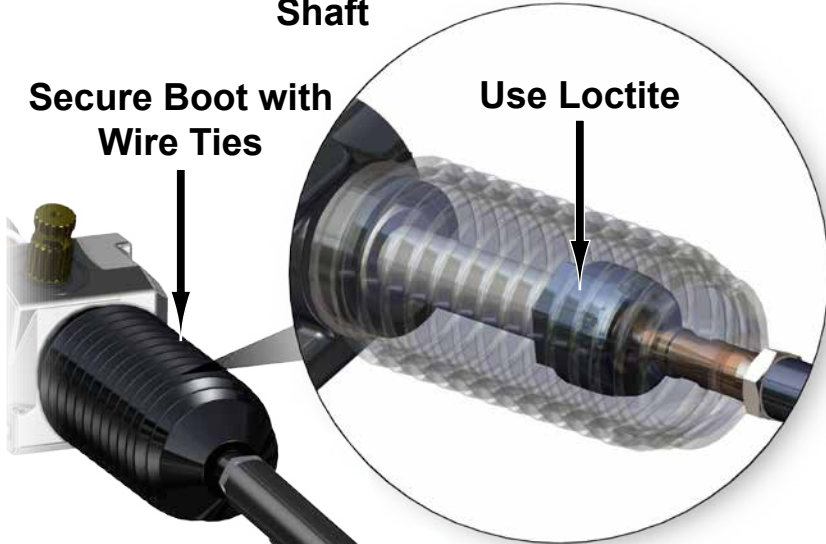
**Boot**

*To Rack and Pinion*

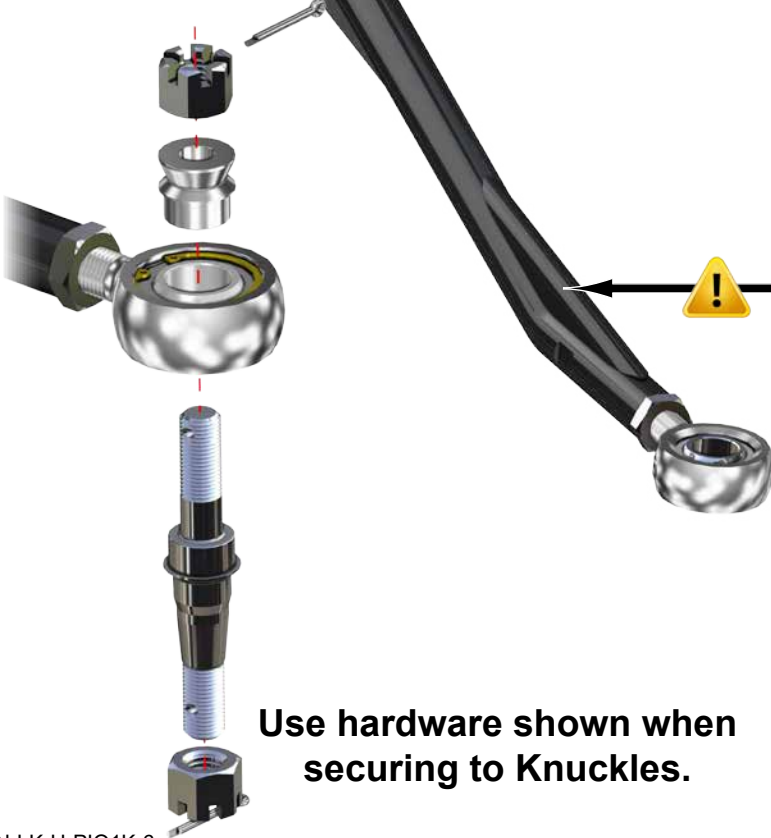
**Ball and Socket**

**Secure Boot with Wire Ties**

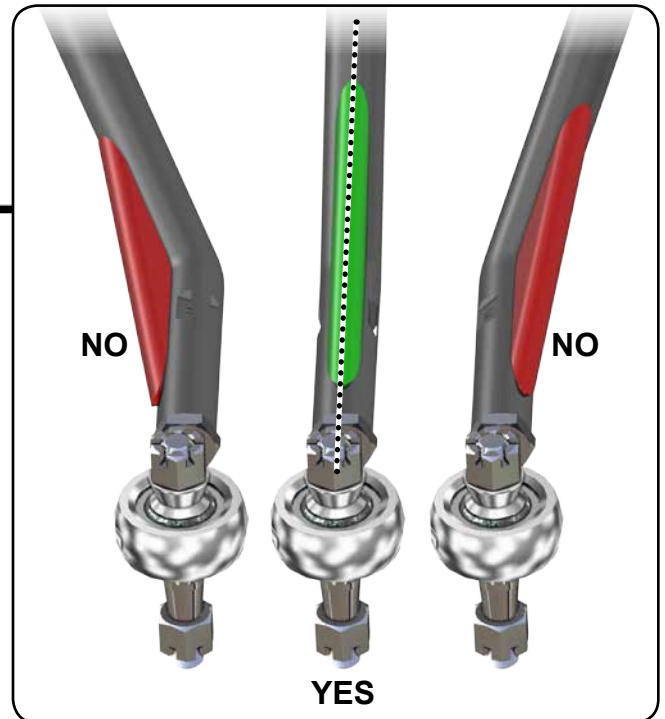
**Use Loctite**



**Gussets on Shafts must be oriented in-line with Stud and secured as shown**

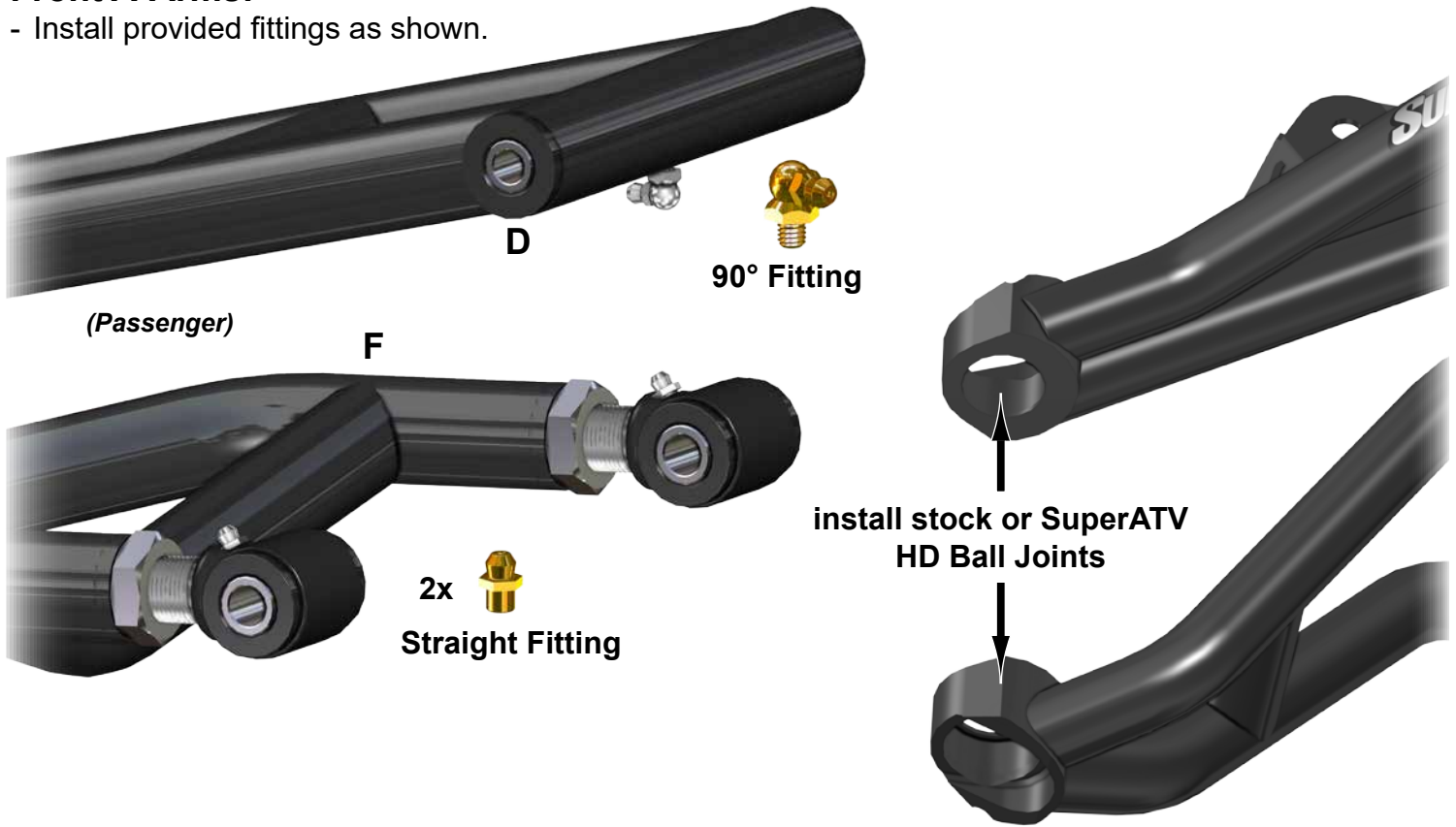


**Use hardware shown when securing to Knuckles.**



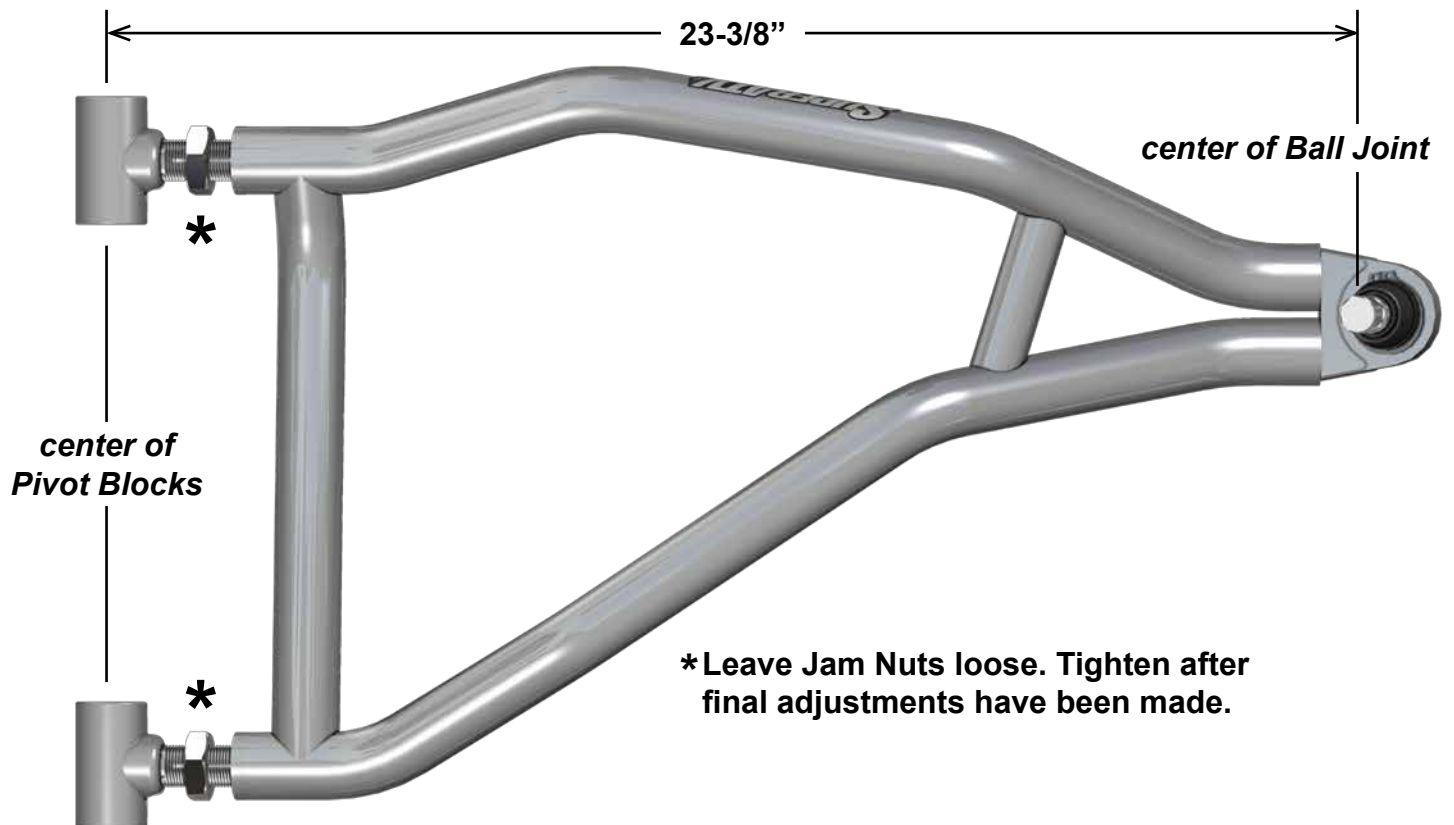
## Front A-Arms:

- Install provided fittings as shown.



## PIVOT BLOCK SETTINGS

- Place new A-Arms onto a flat surface and verify dimension shown.
- *Negative 1° camber setting is achieved when Pivot Blocks are set to this dimension.*
- See last page for additional camber information.





## Rear A-Arms:

- Install provided fittings as shown.



2x  
90° Fitting

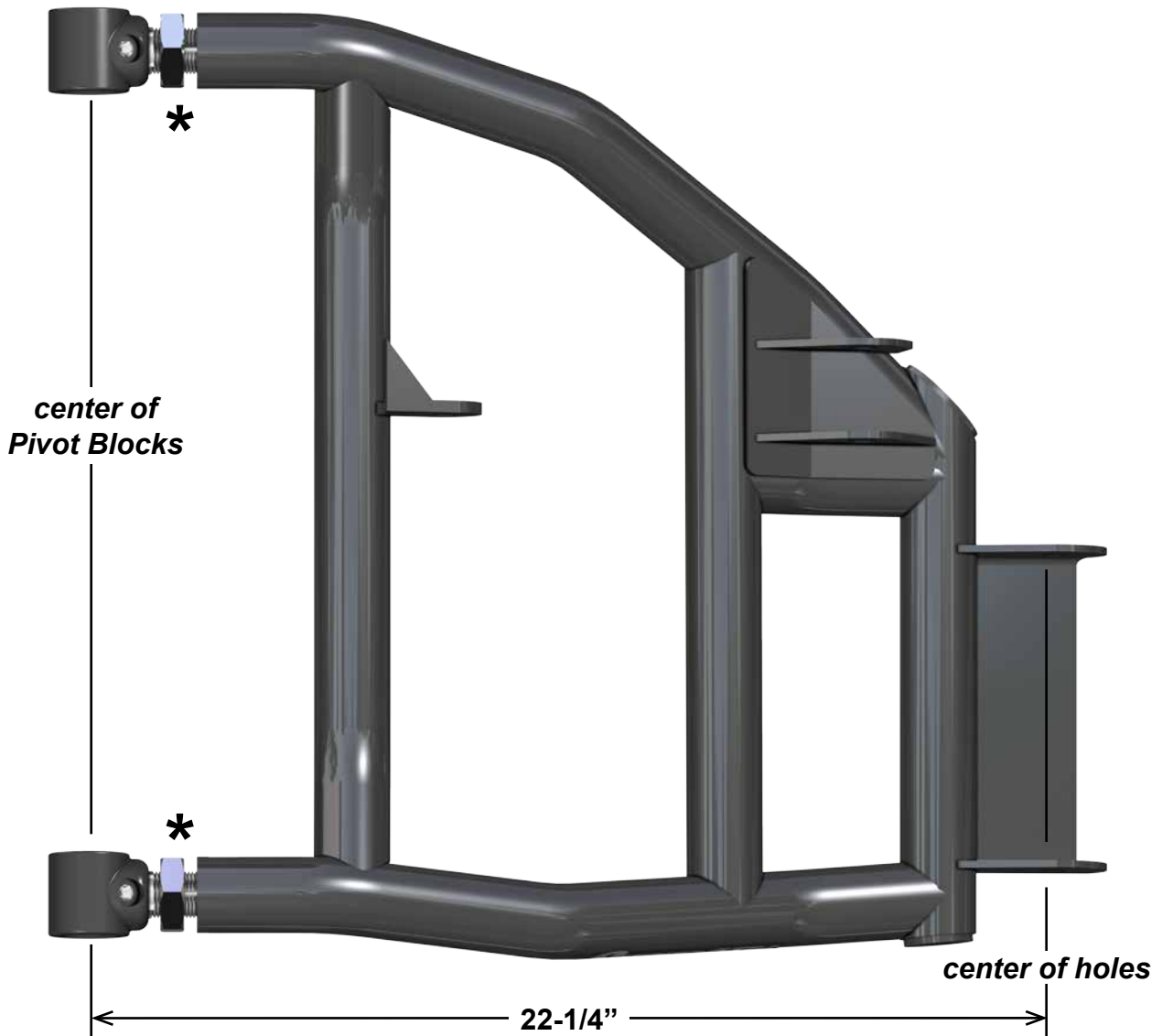
(Passenger)



2x  
Straight Fitting

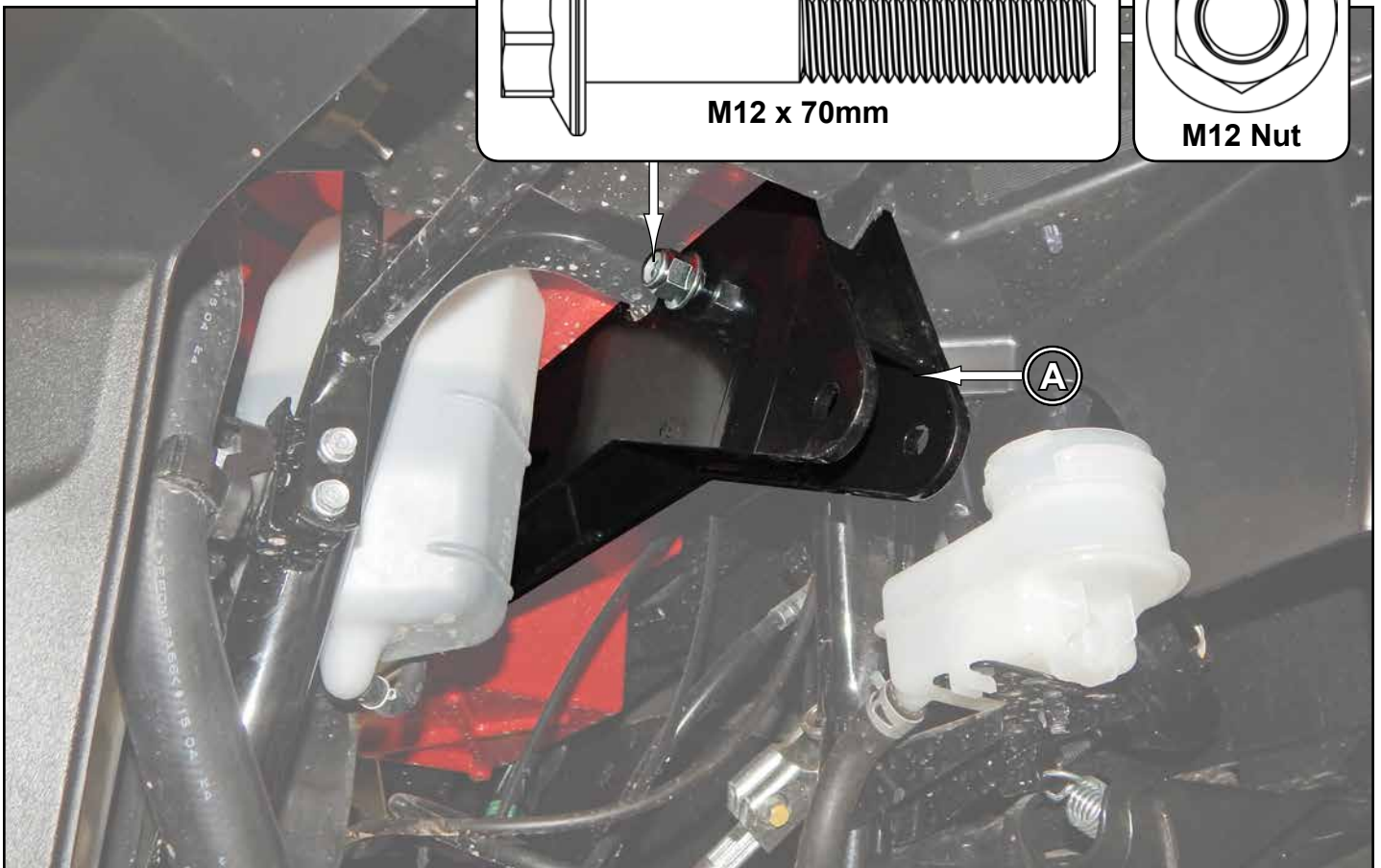
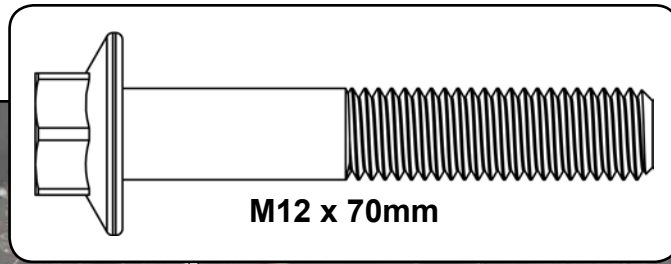
## PIVOT BLOCK SETTINGS

- Place new A-Arms onto a flat surface and verify dimension shown.
- *Negative 1° camber setting is achieved when Pivot Blocks are set to this dimension.*
- See last page for additional camber information.



**Front installation:** *Do not tighten hardware completely unless noted.*

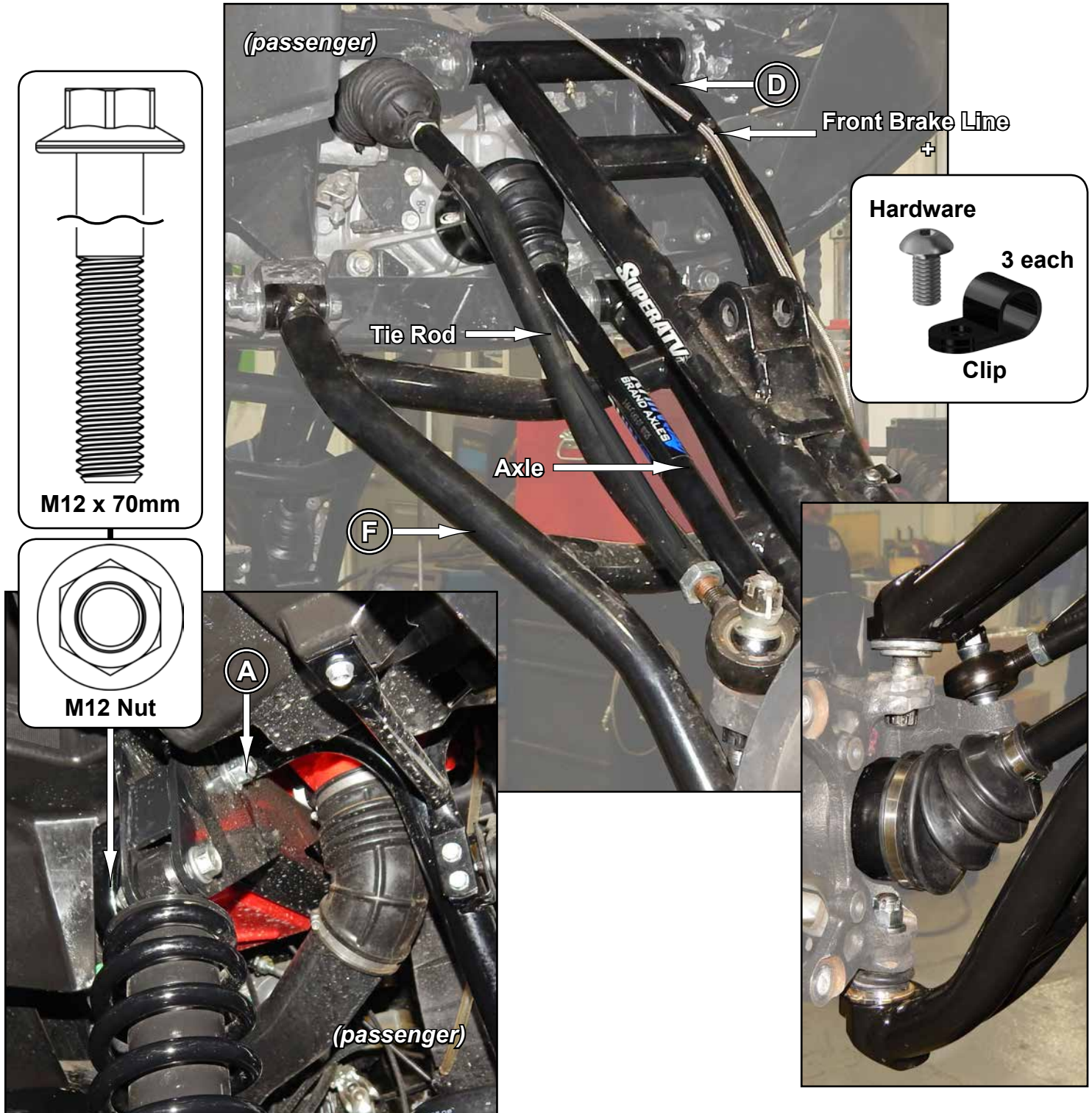
- Install Front Bracket (A) to Shock Mount with hardware shown.





**Front installation continued:** *Do not tighten hardware completely unless noted.*

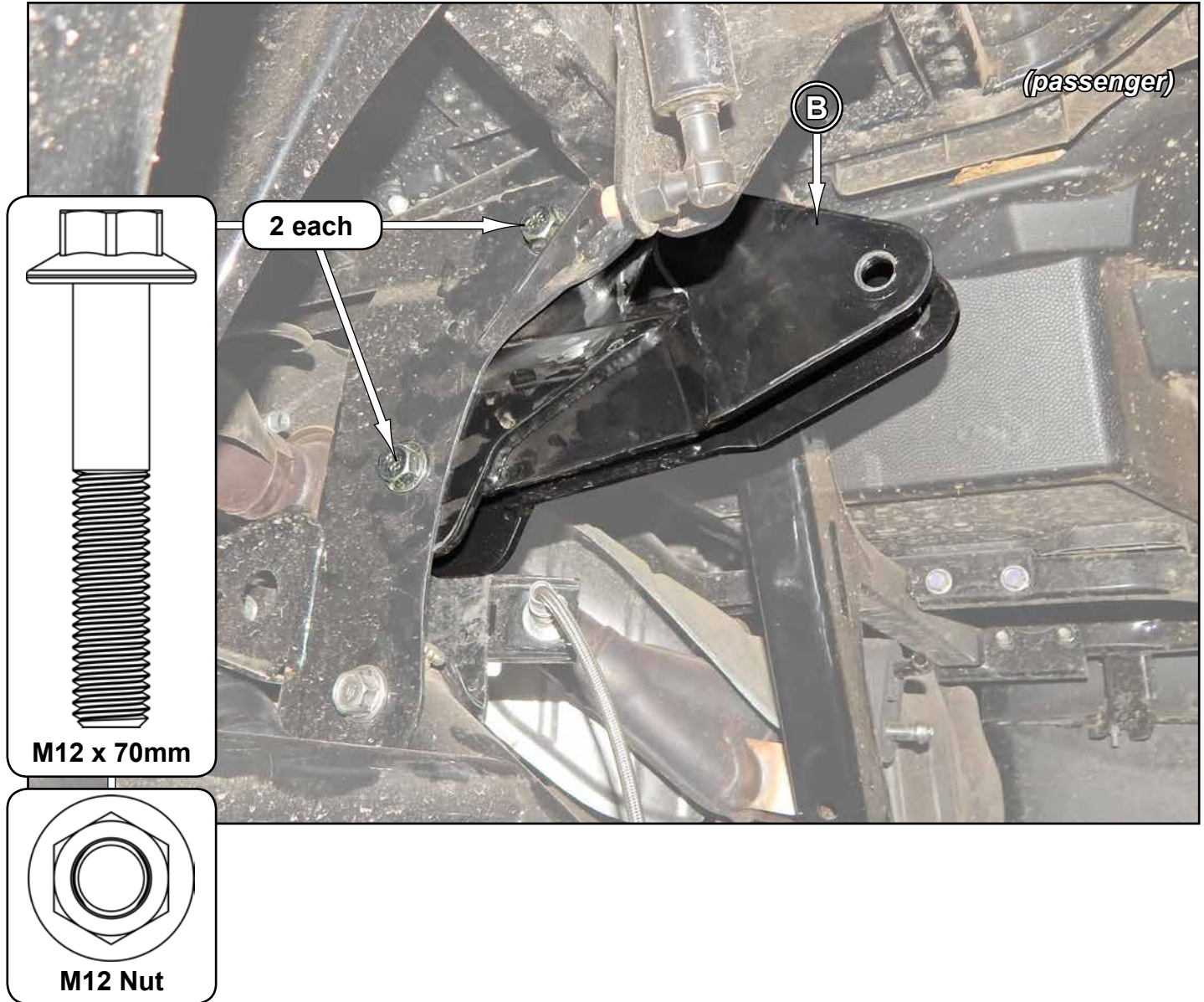
- Install new Axles.
- Install A-Arms to Frame with stock hardware. **Do not install Nuts until all final adjustments have been completed.**
- Reinstall Knuckles/Calipers/Hubs to new A-Arms with stock hardware.
- Install Front Brake Lines and secure with provided Clips and hardware shown.
- Secure Tie Rod Ends to Knuckles; hardware included in Tie Rod Kit.
- Secure Axles to Knuckles; hardware included with Axles.
- Install Shocks to Front Bracket (A) with hardware shown and Upper A-Arms with stock hardware. **Do not install Nuts until all final adjustments have been completed.**





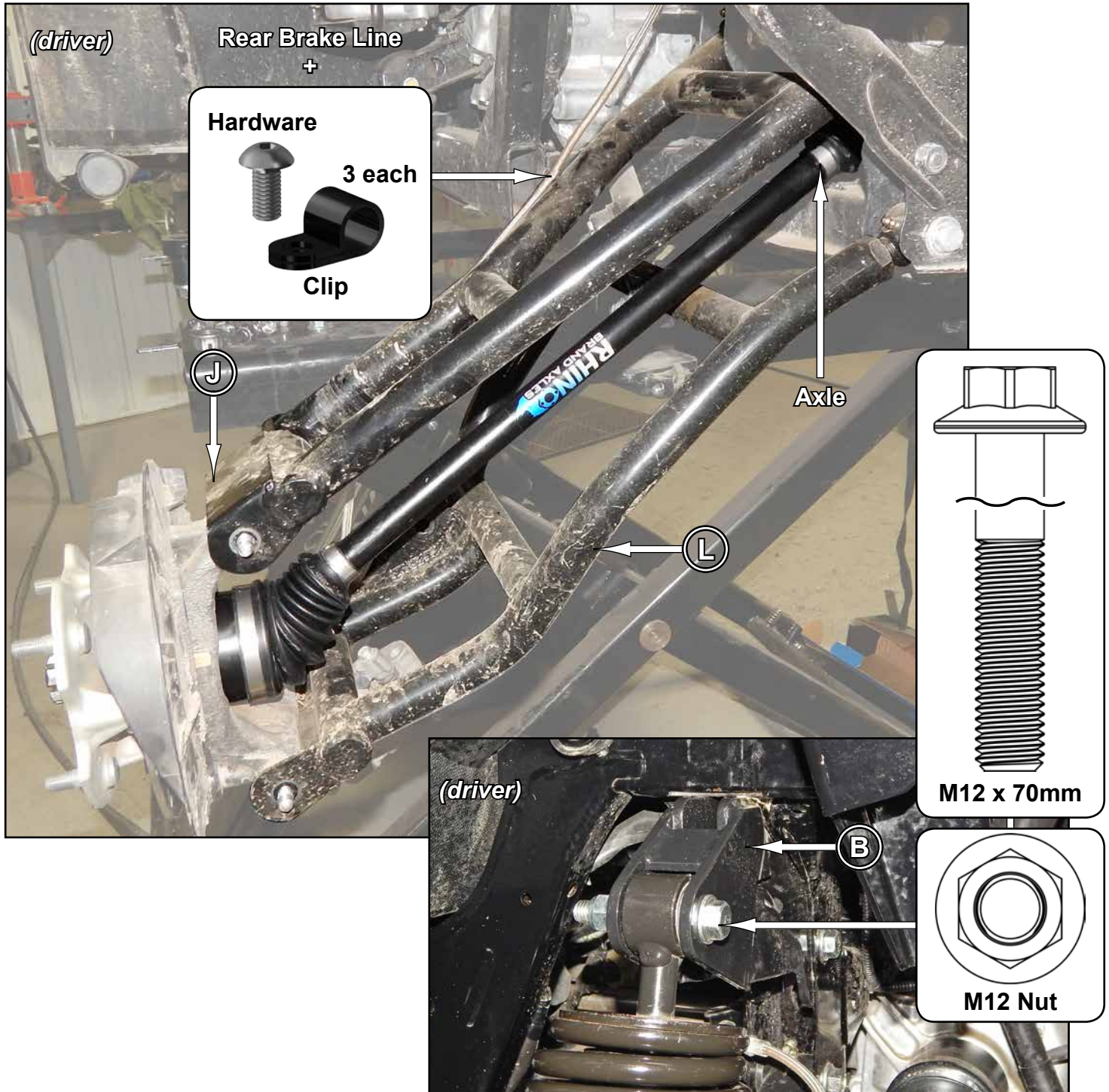
**Rear installation:** *Do not tighten hardware completely unless noted.*

- Install Rear Bracket (B) to Shock Mount with hardware shown.



**Rear installation continued:** *Do not tighten hardware completely unless noted.*

- Install new Axles.
- Install A-Arms to Frame with stock hardware. **Do not install Nuts until all final adjustments have been completed.**
- Reinstall Knuckles/Calipers/Hubs to new A-Arms with stock hardware.
- Install Rear Brake Lines and secure with provided Clips and hardware shown.
- Secure Axles to Knuckles; hardware included with Axles.
- Install Shocks to Rear Bracket (B) with hardware shown and Upper A-Arms with stock hardware. **Do not install Nuts until all final adjustments have been completed.**

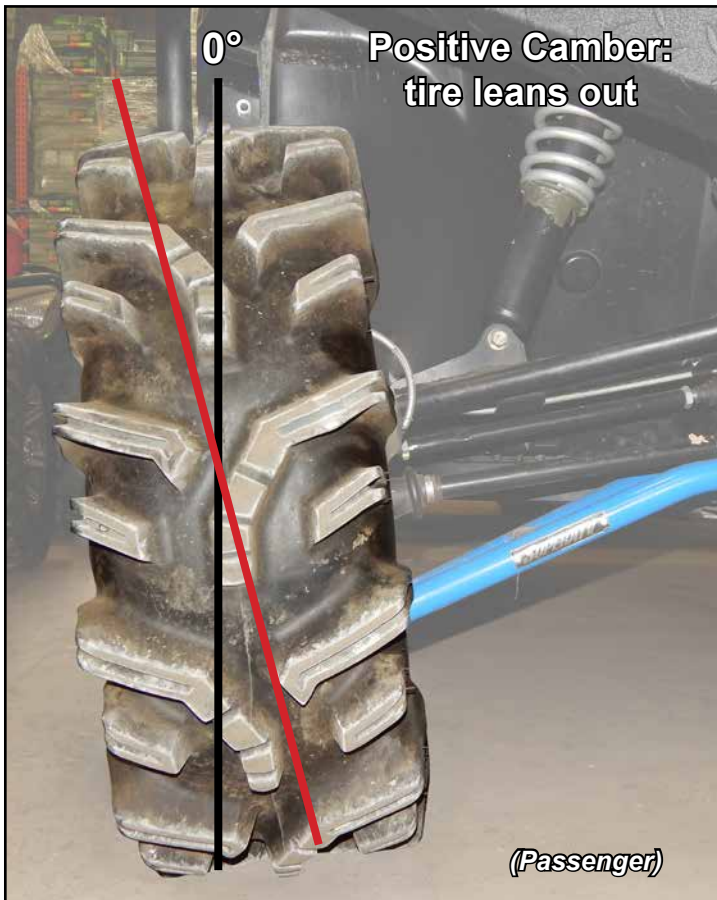


- Reinstall Tires and check Camber settings; see last page.
- Add Nuts to previously installed hardware and tighten completely. SuperATV recommends using Loc-Tite on Nuts.



# CAMBER

- Tires must have equal air pressure before making adjustments.
- Adjustments to be made after all suspension components have been completely assembled.
- Tires must not be in contact with ground when making adjustments.
- Perform adjustments in small increments.



## Adjusting Camber:

- Remove A-Arms from Frame and turn Pivot Blocks to adjust camber. Reinstall Arms.
- Lower machine and settle suspension components by rolling machine back and forth several feet at a time.
- Check settings and make small adjustments as needed.
- Each time an adjustment is made, machine must be rolled back and forth to settle suspension components.
- Once desired setting is achieved, tighten hardware completely. Loc-tite on Nuts is recommended.

**A NEGATIVE CAMBER SETTING OF 1° to 2° IS RECOMMENDED.**

## LOWER:

Too much positive camber: adjust Pivot Blocks **OUT**.

Too much negative camber: adjust Pivot Blocks **IN**.

*note: 2 full turns is 1°*

## UPPER A-ARMS:

Too much positive camber: adjust Pivot Blocks **IN**.

Too much negative camber: adjust Pivot Blocks **OUT**.

*note: 2 full turns is 1°*

