

Liability Statement
 SuperATV's[®] products are designed to best fit user's ATV/UTV under stock conditions. Adding, modifying, or fabricating any factory or aftermarket parts will void any warranty provided by SuperATV[®] and is not recommended. SuperATV's[®] products could interfere with other aftermarket accessories. If user has aftermarket products on machine, contact SuperATV[®] to verify that they will work together.

Although SuperATV[®] has thousands of satisfied customers, user should be aware that installing lift kits, long travel, or suspension kits, tires, etc. will change the ride of machine and may increase maintenance and part wear. Operating any off-road machine while, or after, consuming alcohol and/or drugs increases risk of bodily harm or death. No warranty or representation is made as to this product's ability to protect user from severe injury or death. SuperATV[®] urges operators and occupants to wear a helmet and appropriate riding gear at all times.

By purchasing and installing SuperATV[®] products, user agrees that should damages occur, SuperATV[®] will not be held responsible for loss of time, use, labor fees, replacement parts, or freight charges. SuperATV[®], nor any 3rd party, will not be held responsible for any direct, indirect, incidental, special, or consequential damages that result from any product purchased from SuperATV[®]. The total liability of seller to user for all damages, losses, and causes of action, if any, shall not exceed the total purchase price paid for the product that gave rise to the claim.

SuperATV[®] will warranty only parts provided by SuperATV[®]. Any damage or problems with OEM housings, bearings, seals, or other manufacturers' products will not be covered by SuperATV[®]. SuperATV[®] parts and products are not warranted if item was not installed properly, misused, or modified.

Installing, adding, modifying, or fabricating any factory or aftermarket product to your ATV/UTV may violate certain local, state, and federal laws. Be advised that laws vary depending on town, city, county, state, etc. Use of certain products on public streets, roads, or highways may be in violation law. The Buyer is solely and exclusively legally and personally responsible for any violation of the law by the installation or use of the product. You must abide by all local, state, and federal laws, including but not limited to vehicle safety, traffic laws, and ordinances. It is your responsibility to know the laws and how they apply to you.

The Buyer is responsible to fully understand the capability and limitations of his/her vehicle according to manufacturer specifications, warnings and instructions and agrees to hold SuperATV[®] harmless from any damage resulting from failure to adhere to such specifications, warnings and/ or instructions. The Buyer is also responsible to obey all applicable federal, state, and local laws and ordinances when operating his/her vehicle while using this product, and the Buyer agrees to hold SuperATV[®] harmless from any violation thereof.

Need help with your installation?

✉ sales@superatv.com 🖥 www.superatv.com

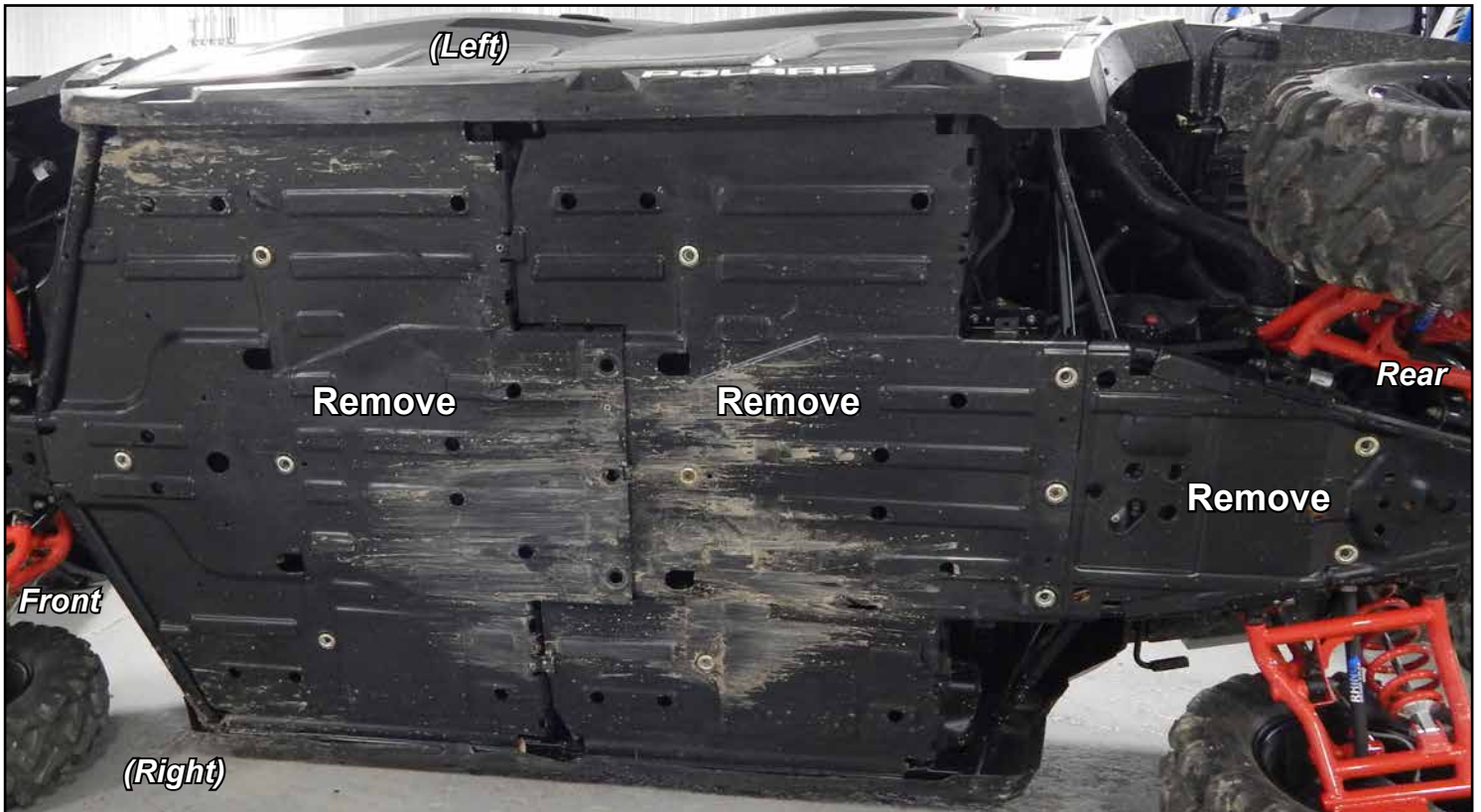
☎ 1-855-743-3427 🕒 8:00am - 9:00pm EST M-Th
 8:00am - 7:00pm EST Friday
 9:00am - 2:00pm EST Saturday

Read instructions and view pictures before beginning.

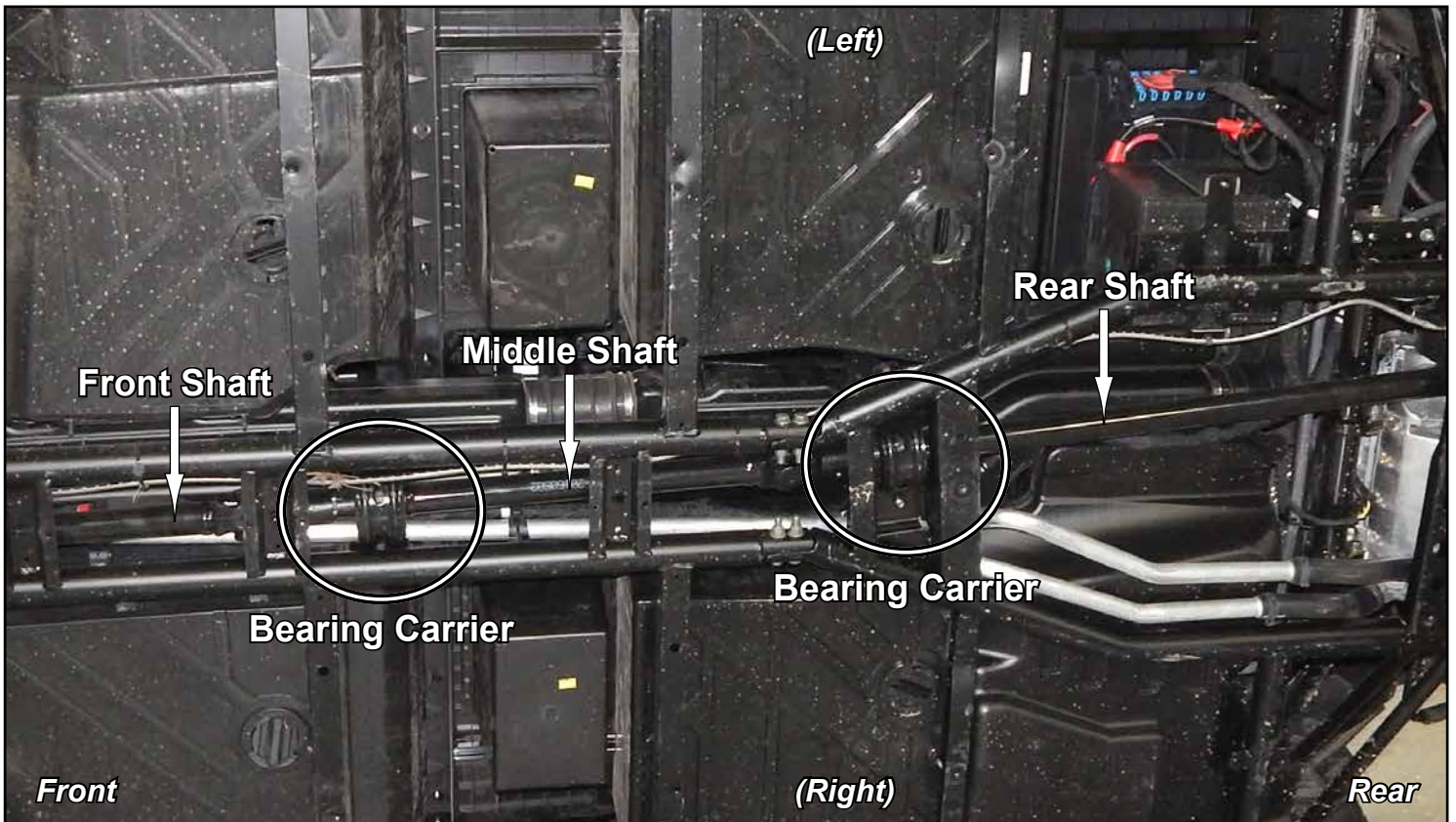
Thank You
For Choosing
SUPERATV.COM[®]

Keep all components removed from machine.

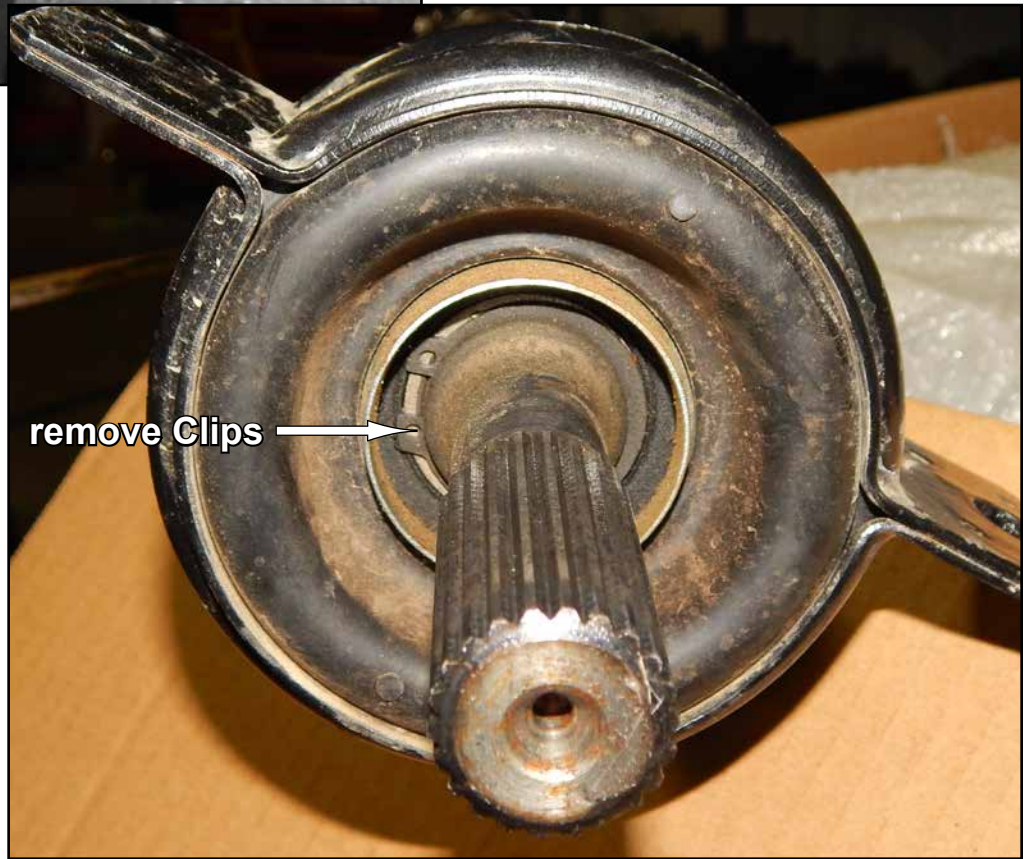
Gently flip machine onto its side and remove stock Skid Plates. Flipping machine will make removing and installing components easier.



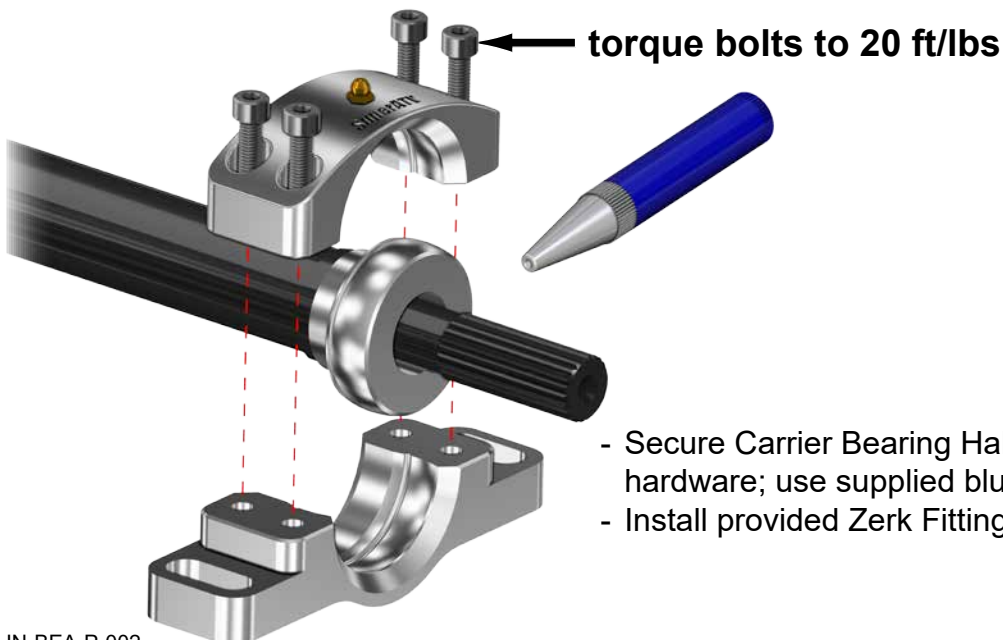
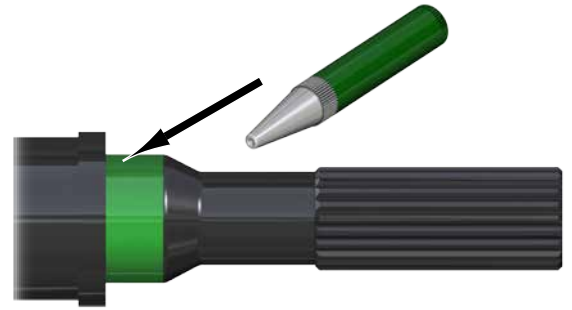
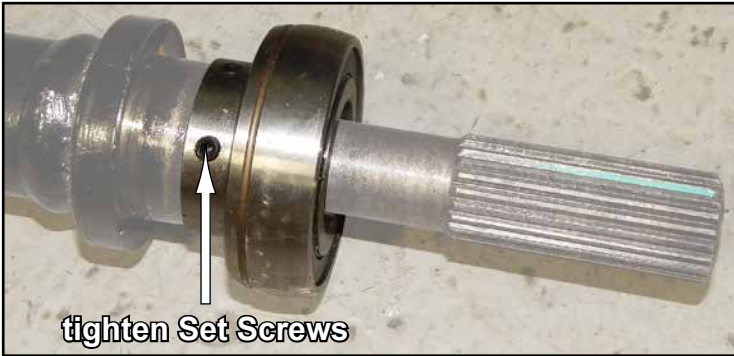
- Remove Rear Shaft and Front Shaft from Differentials.
- Unbolt Bearing Carriers from machine.
- Remove Shafts.



- Remove stock Bearing Carriers from Shafts.



- Completely clean off all oil, grease, or dirt on Shaft in highlighted area.
- Completely clean oil from seating area of Carrier Bearing.
- Apply supplied green retaining compound to Shaft.
- Install new Bearing.
- Use supplied blue Loc-Tite on Set Screws; tighten completely.
- **Must cure 24 hours before next step.**



- Secure Carrier Bearing Halves with provided hardware; use supplied blue Loc-Tite on bolts.
- Install provided Zerk Fittings.

- Reinstall Shafts to machine; secure Bearing Carriers with supplied M10 hardware.
- **Carriers must be installed with Zerk Fittings pointing towards ground.**
- Pump 4 to 5 shots of grease into Carrier Bearings.
- Reinstall all components removed from machine.



See last page for correct alignment illustrations.

Rear of machine looking forward

Hand tighten; after Prop is aligned, torque bolts to 45 ft/lbs

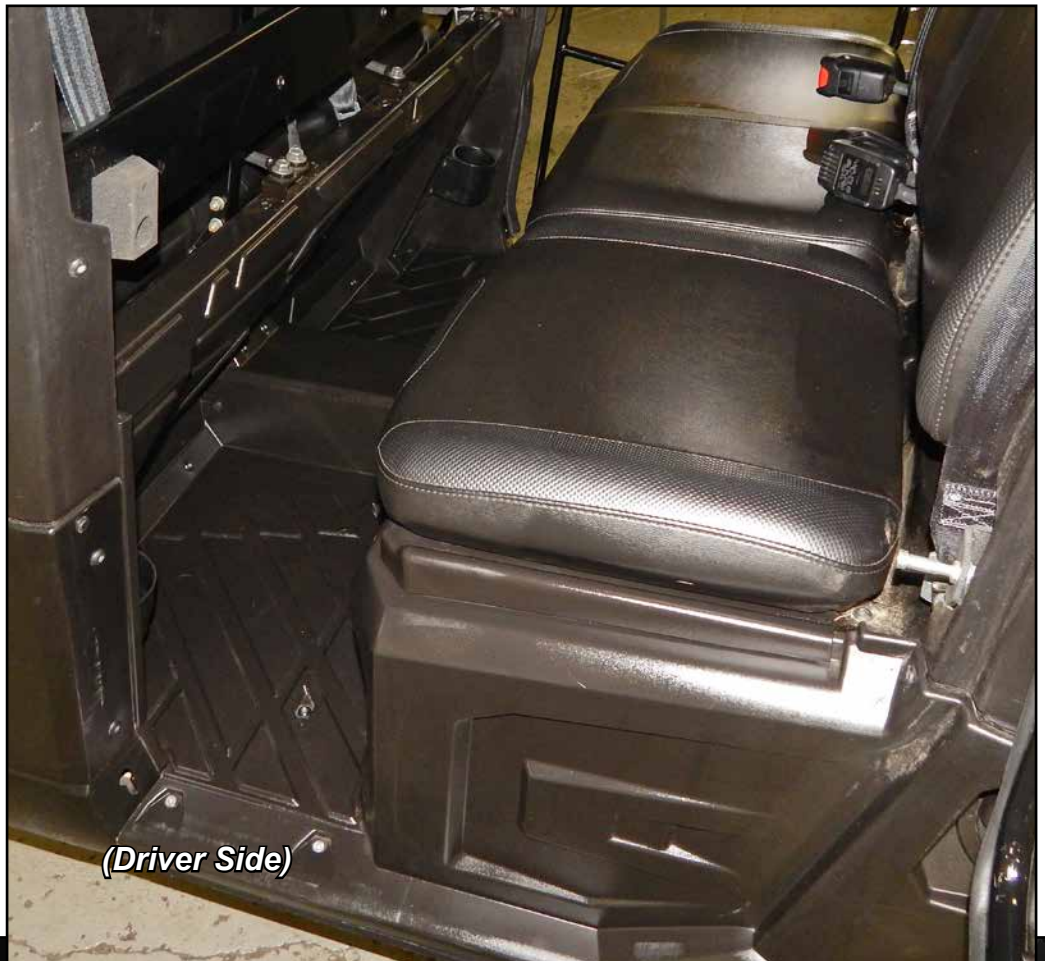


(Driver Side)

(Passenger Side)

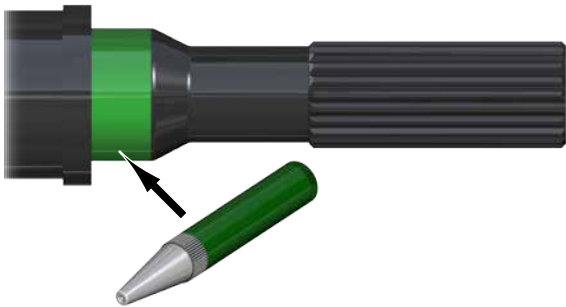
Ranger Crew® Models:

- Rear Seats.
- Storage Boxes.
- Rear Fenders.
- Rear Floor.

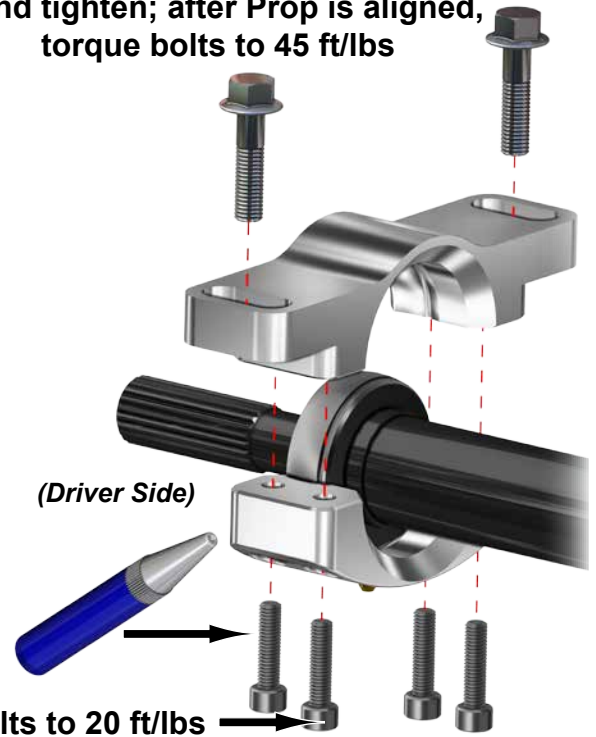


Ranger Crew® Models installation:

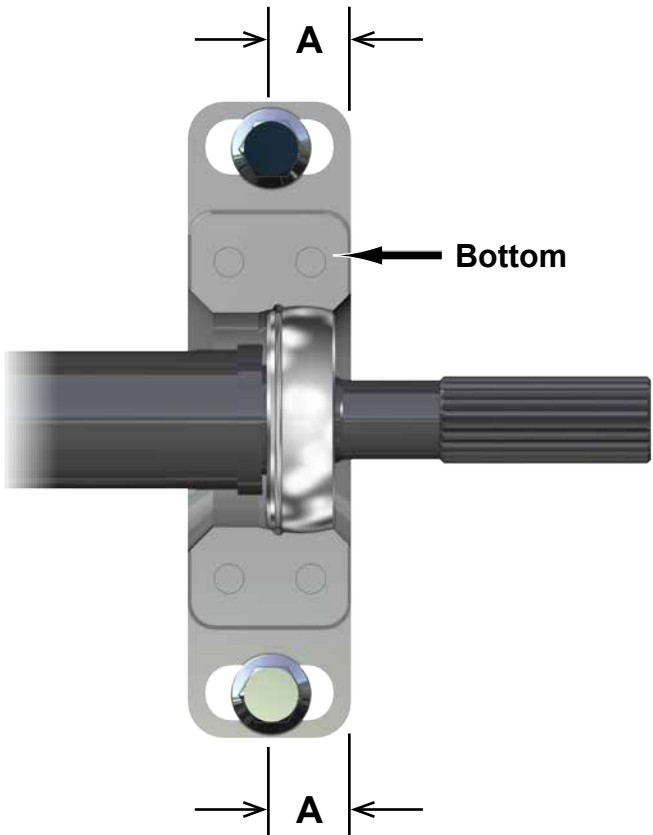
- Completely clean off all oil, grease, or dirt on Shaft in highlighted area.
- Completely clean oil from seating area of Carrier Bearing.
- Apply supplied green retaining compound to Shaft.
- Install new Bearing.
- **Must cure 24 hours before next step.**
- Secure Carrier Bearing Halves with provided hardware; use supplied blue Loc-Tite on bolts.
- Install to machine with stock, or supplied, hardware.
- Pump 4 to 5 shots of grease into Carrier Bearing.
- Reinstall all components removed from machine.



Hand tighten; after Prop is aligned,
torque bolts to 45 ft/lbs



See last page for correct
alignment illustrations.



- Depending on model, Bottom may need to be moved forward or rearward.
- Dimension "A" **must always be equal** regardless of where Bottom is positioned.

