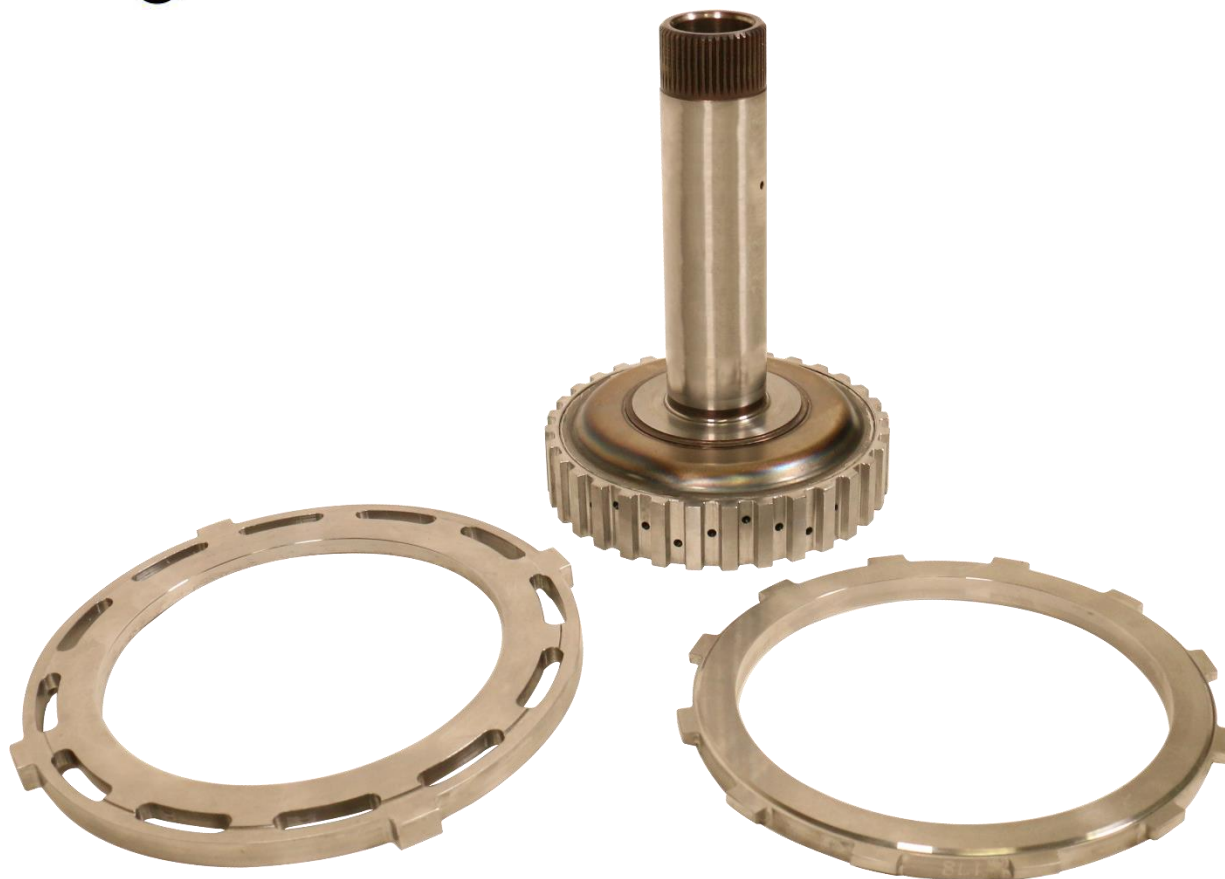




**DOWNLOAD COLOR  
INSTALL MANUALS AT  
[www.dieselperformance.com](http://www.dieselperformance.com)**



**68RFE Overdrive Big Stack**  
**16 Overdrive Friction Surfaces**

Part #	Description	Mechanical holding capacity
<b>1062035</b>	<b>Overdrive Shaft &amp; QT100 Reaction Plates</b>	<b>+33%</b>
<b>1062036</b>	<b>BD Big Stack + Machined Sonnax drum</b>	<b>+54%</b>

Clutches not included. To be used in conjunction with a BD Build-it Transmission Kit 1062023 OR 1062025.

1062036 Includes a machined Sonnax drum to work with the 16 OD clutch pack.




## Introduction

The BD Big Stack consists of 16 overdrive clutches, made possible with an improved OD shaft with increased spline depth, and two billet QT100 reaction plates. This allows for a 33% increase in mechanical torque holding capacity and a 33% increase in steel thermal mass. The billet QT100 plates reduce clutch coning due to the stiffer material and geometry.





The BD Big Stack can be used in conjunction with a Sonnax input drum to allow a 16% increase in apply area. This setup will allow for a 54% increase in mechanical torque holding capacity. An electronic pressure enhancer (1030369) will further increase OD torque holding capacity.

## Kit Contents

### 1062035

1600159	1600178	1600179
		
BD Overdrive Shaft <b>Qty: 1</b>	Reaction Plate; OD/UD <b>Qty: 1</b>	Reaction Plate: OD/Rev <b>Qty: 1</b>

### 1062036

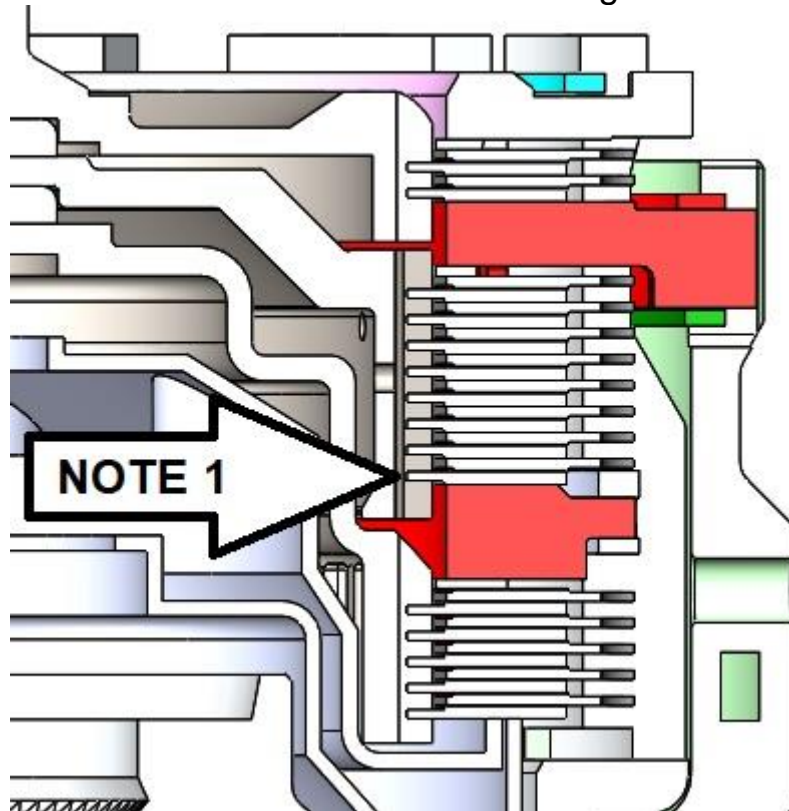
	
BD Overdrive Shaft <b>Qty: 1</b>	Reaction Plate; OD/UD <b>Qty: 1</b>
	
Drum Kit; Sonnax Machined <b>Qty: 1</b>	Machined Bolt-On Plate <b>Qty: 1</b>

Sonnax Chisel (#1003-80) not included. Use any equivalent 1/8" Chisel. McMaster Part # 3570A8

## Clutch Clearances

Item No.	Description	Clutch Part Number	Clutch Pack Clearance	Quantity
A	Underdrive Clutch Pack	B29308L & B29309L	.040-.055"	5+5
B	Overdrive Clutch Pack	B29308L & B29309L	.040-.055"	8+8
C	Reverse Clutch Pack	B29308L & B29309L	.023-.058"	2+2*

\*Replace the OEM 2+1 double sided clutches with single sided 2+2



**NOTE 1: The OD clutch pack is different than a standard build. The internally splined OD clutch must be installed first with the friction surface facing downward.**

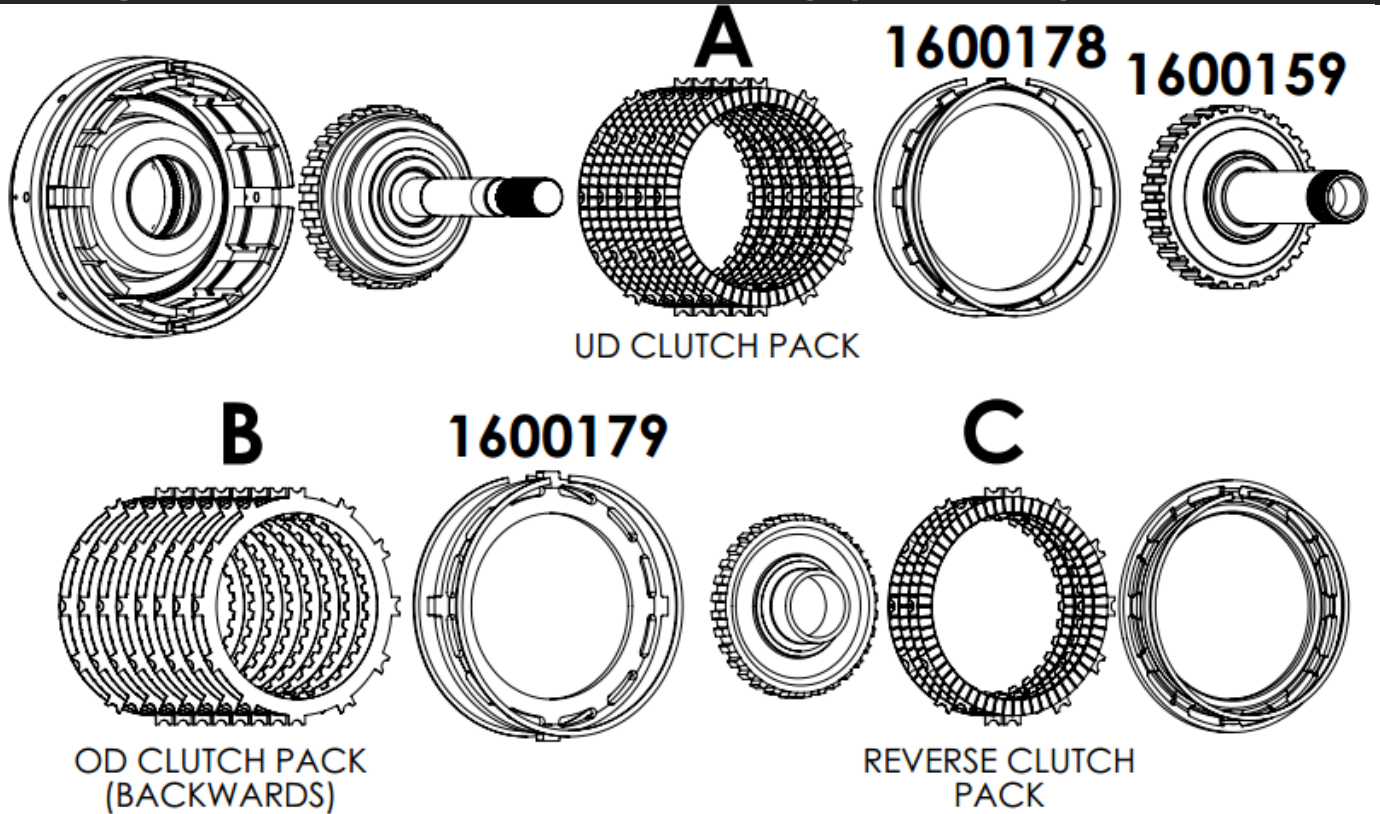
Note 2: The tapered section of the OD/UD reaction plate (1600178) must be facing upward.

Note 3: Designed to fit with Borg Warner single sided clutches. Alternate clutches may cause reduced clutch pack clearances which can cause premature failure.

Note 4: OEM snap rings MUST be used

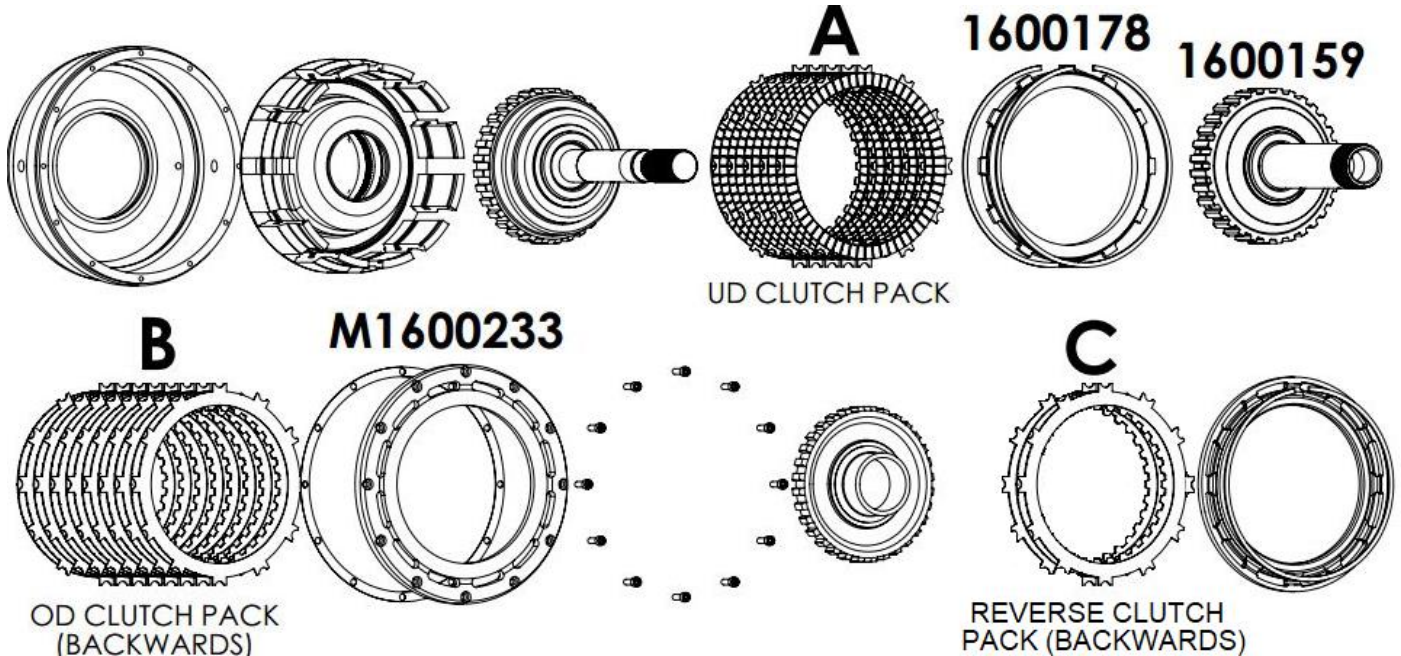
Note 5: The standard Sonnax build will require one Anchor Shim Plate to meet the OD clutch pack clearance requirements.

**BD Big Stack + OEM Drum Assembly (1032035)**



**BD Big Stack + Sonnax Drum Assembly (1062036)**

See Sonnax PN 72960-06K instructions to assemble the Sonnax drum.



Any purchased kit from BD will have all necessary machining complete. If purchased from a separate vendor, the Sonnax bolt-on plate must be machined to fit the upside-down OD clutch plates. The bolt-on plate does not need to be resurfaced, but the face width must be increased to 6.93" (max tool radius .032").

