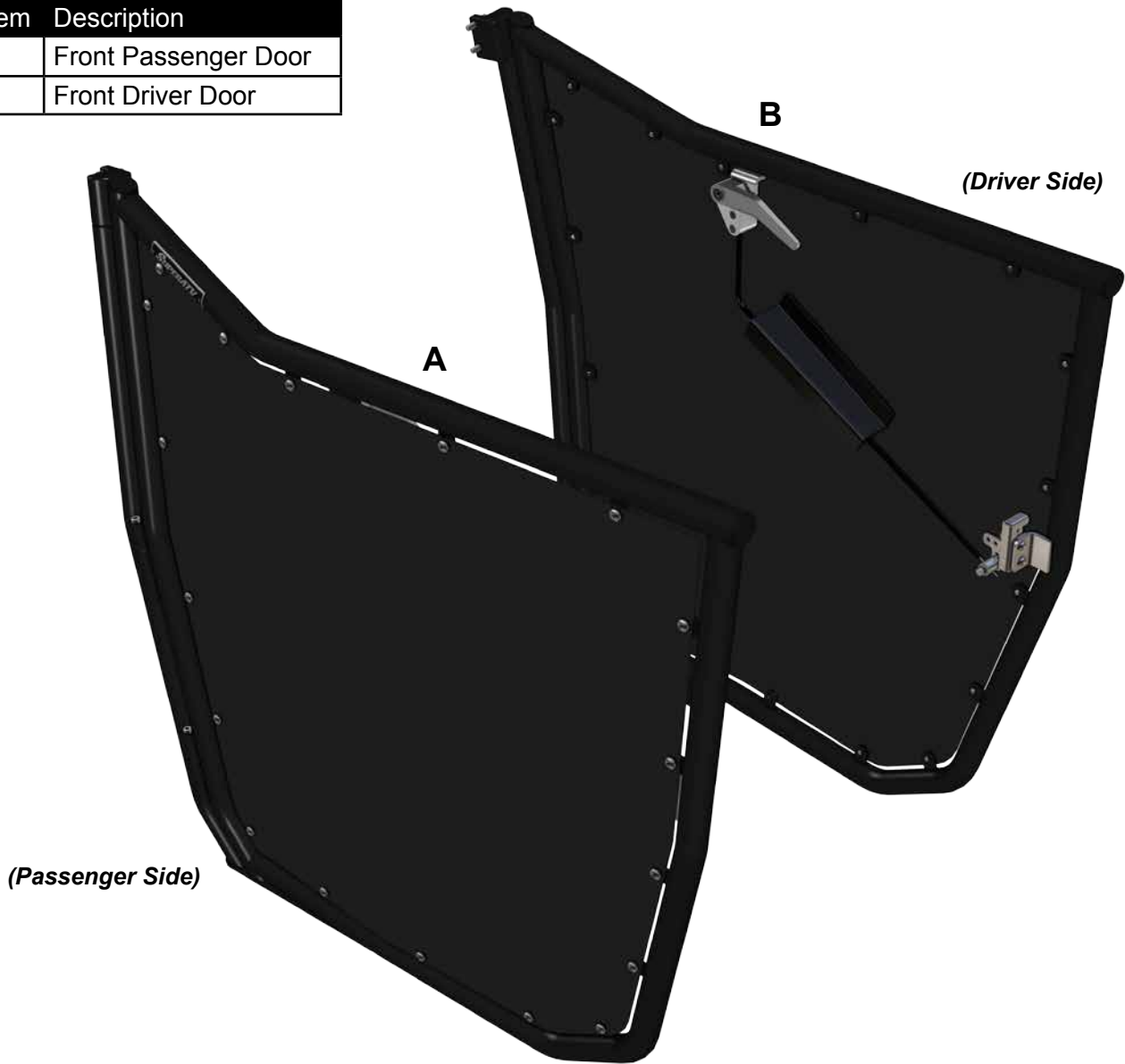


Item	Description
A	Front Passenger Door
B	Front Driver Door



(kit contents continue on following pages)

Need help with your installation?



sales@superatv.com



www.superatv.com



1-855-743-3427



8:00am - 9:00pm EST M-Th
8:00am - 7:00pm EST Friday
9:00am - 2:00pm EST Saturday

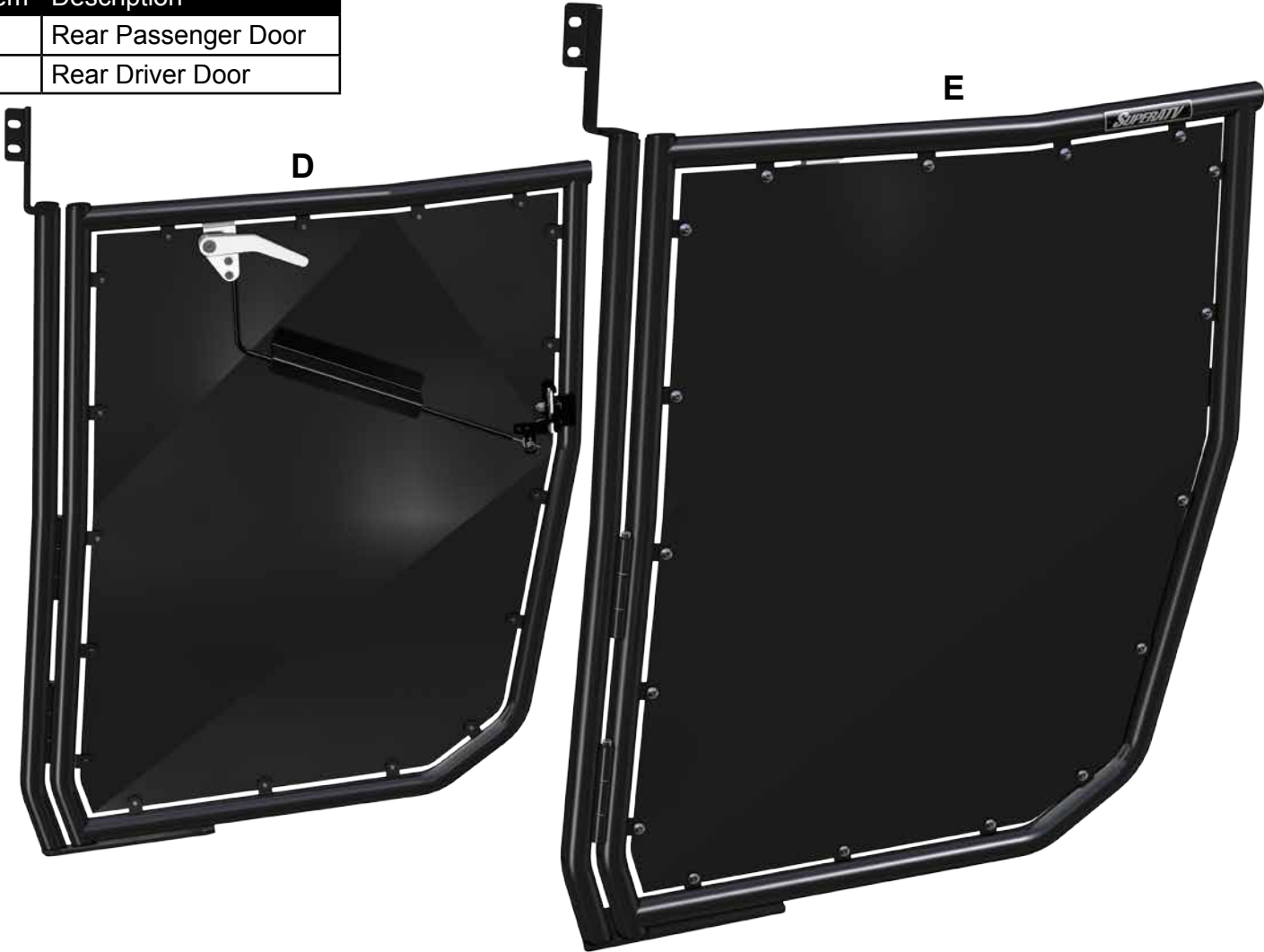
Read instructions and view illustrations before beginning.

*Thank You
For Choosing*



(kit contents continued)

Item	Description
D	Rear Passenger Door
E	Rear Driver Door




8x  M6-1.0 x 30mm Lg.

2x  Spacer

2x  M10-1.50 x 30mm Lg.

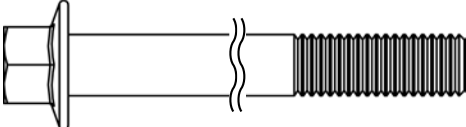
4x  M8-1.25 Jam Nut

4x  M8-1.25 x 20mm Lg.

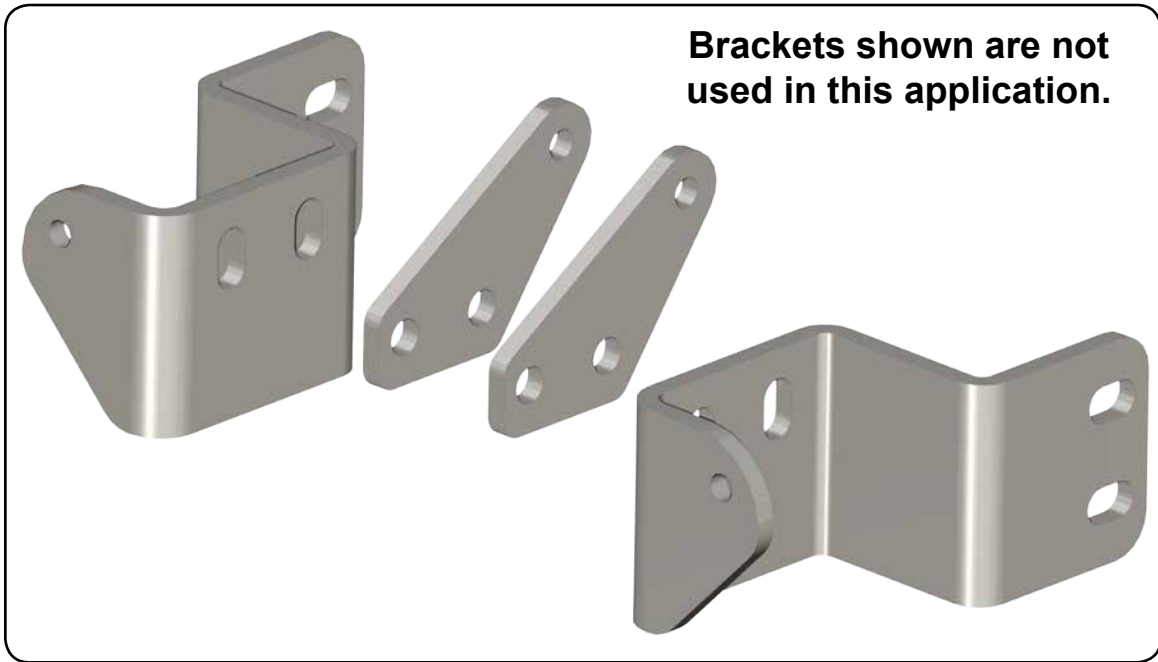
4x  M8-1.25 Nylock Nut

4x  Shoulder Bolt

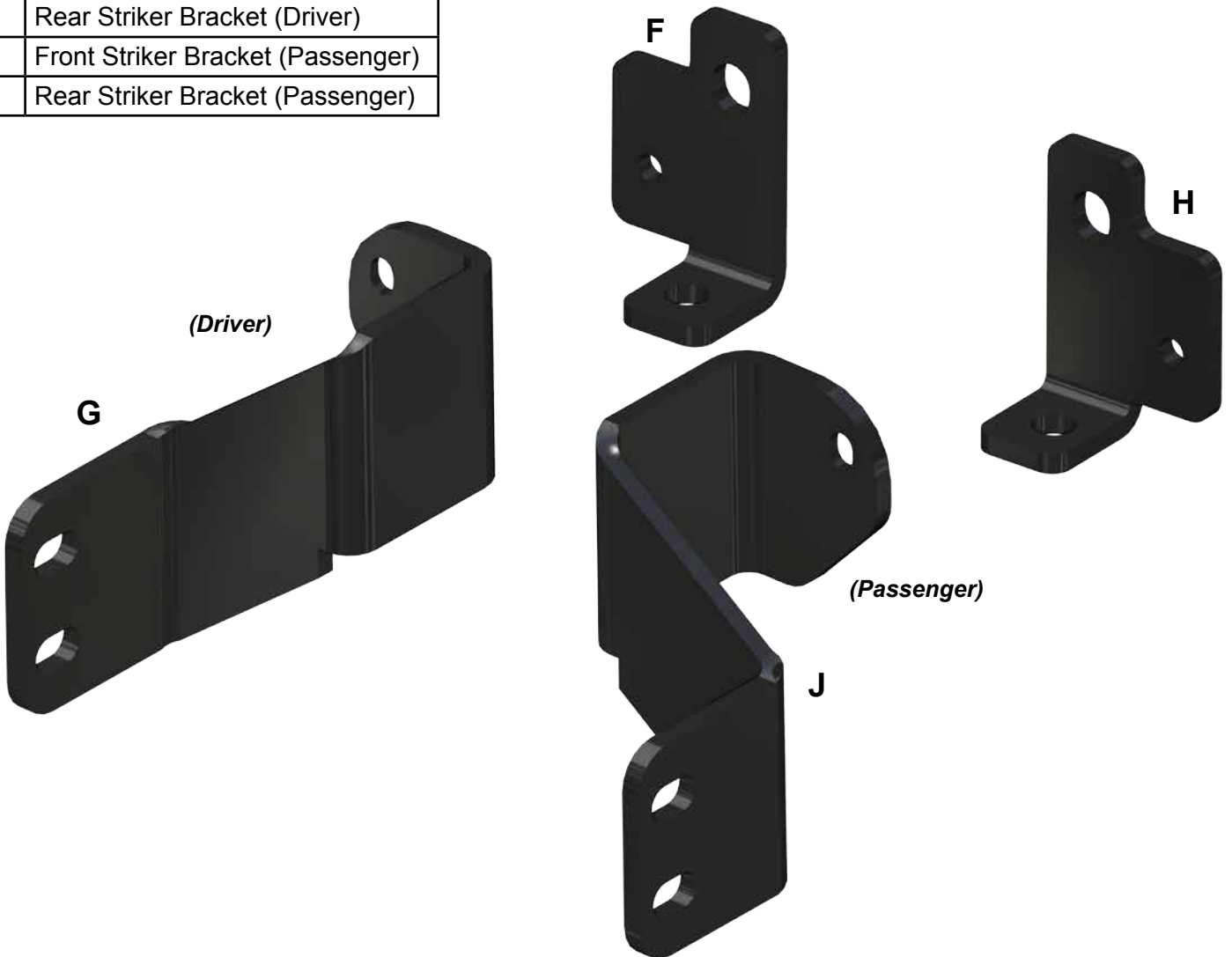
2x  M10-1.50 Nylock Nut

2x  M8-1.25 x 55mm Lg.

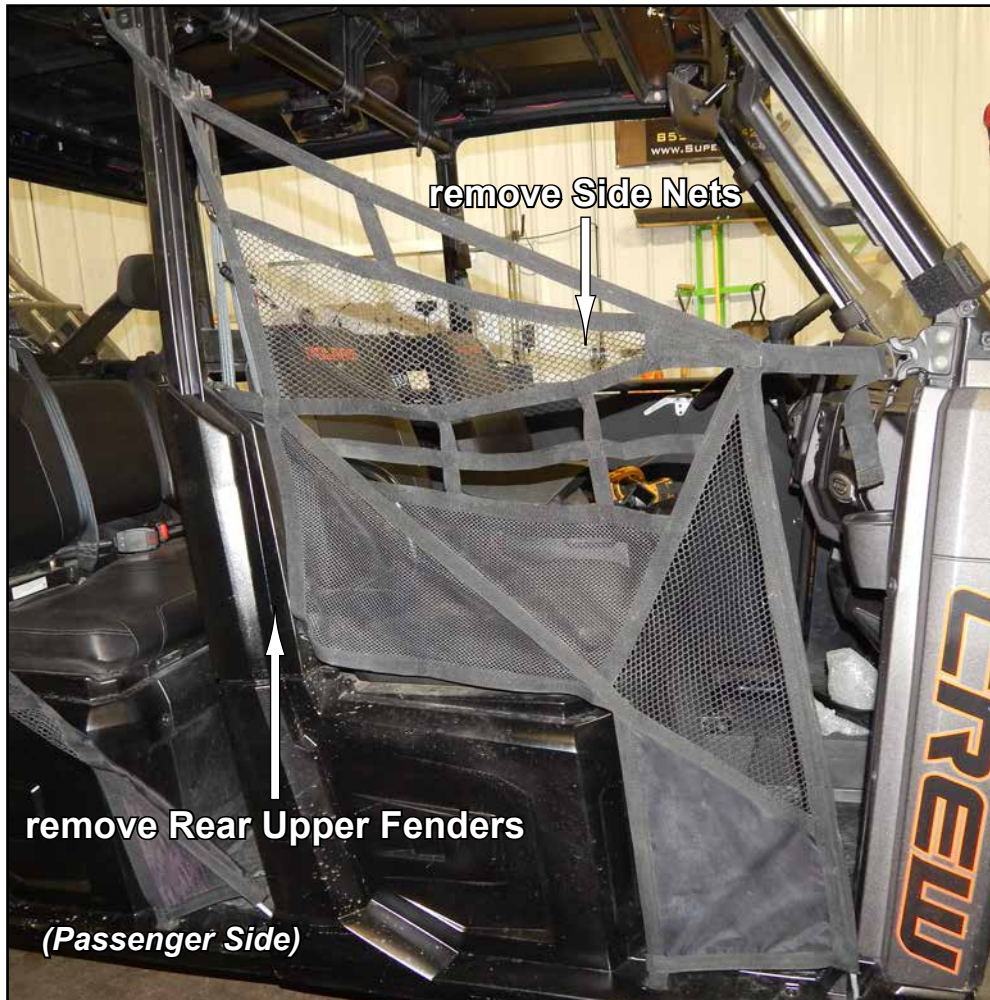
(kit contents continued)



Item	Description
F	Front Striker Bracket (Driver)
G	Rear Striker Bracket (Driver)
H	Front Striker Bracket (Passenger)
J	Rear Striker Bracket (Passenger)



Front Removal: Remove components shown from both sides of machine.
- keep all components removed from machine -



(Front Removal illustrations continue on following page)

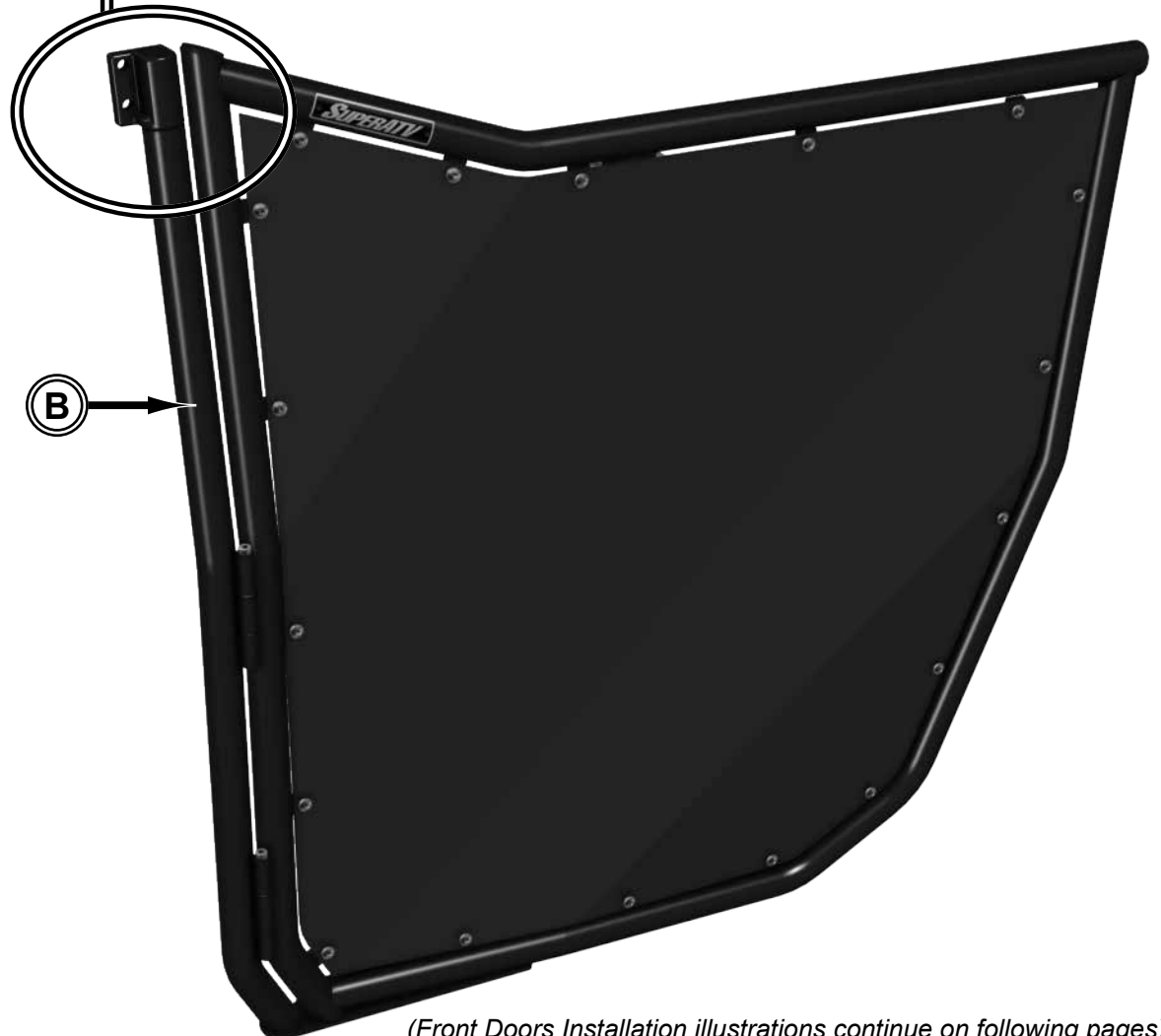
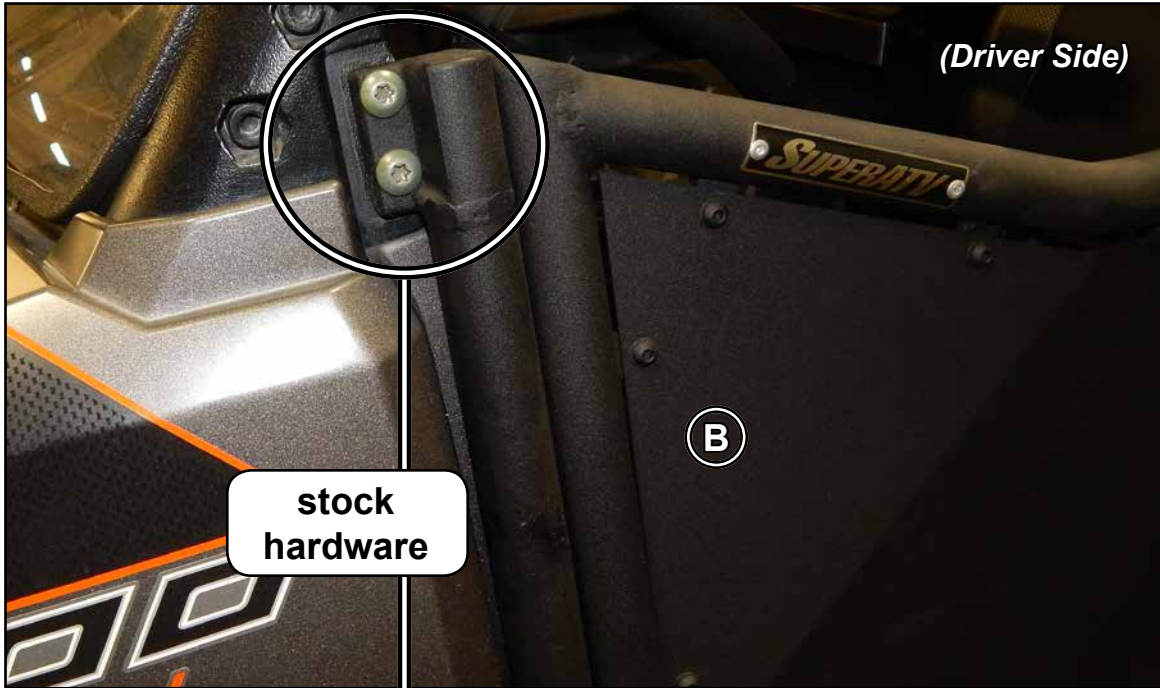
Front Removal continued:



Front Doors must be installed first!

Front Doors Installation: Do not tighten hardware completely unless noted.

- Secure Front Driver Door (B) to Roll Cage with stock hardware.

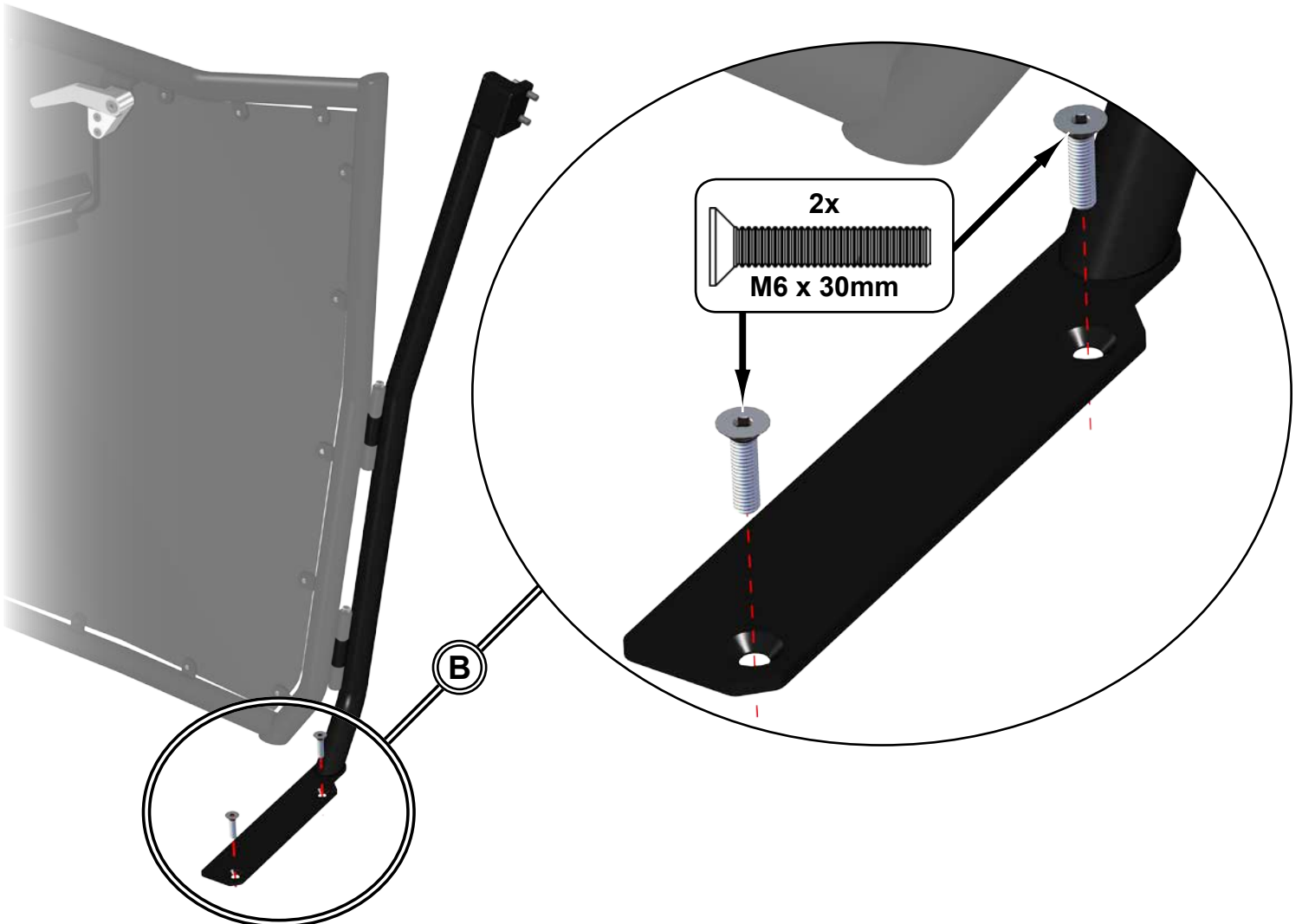


(Front Doors Installation illustrations continue on following pages)

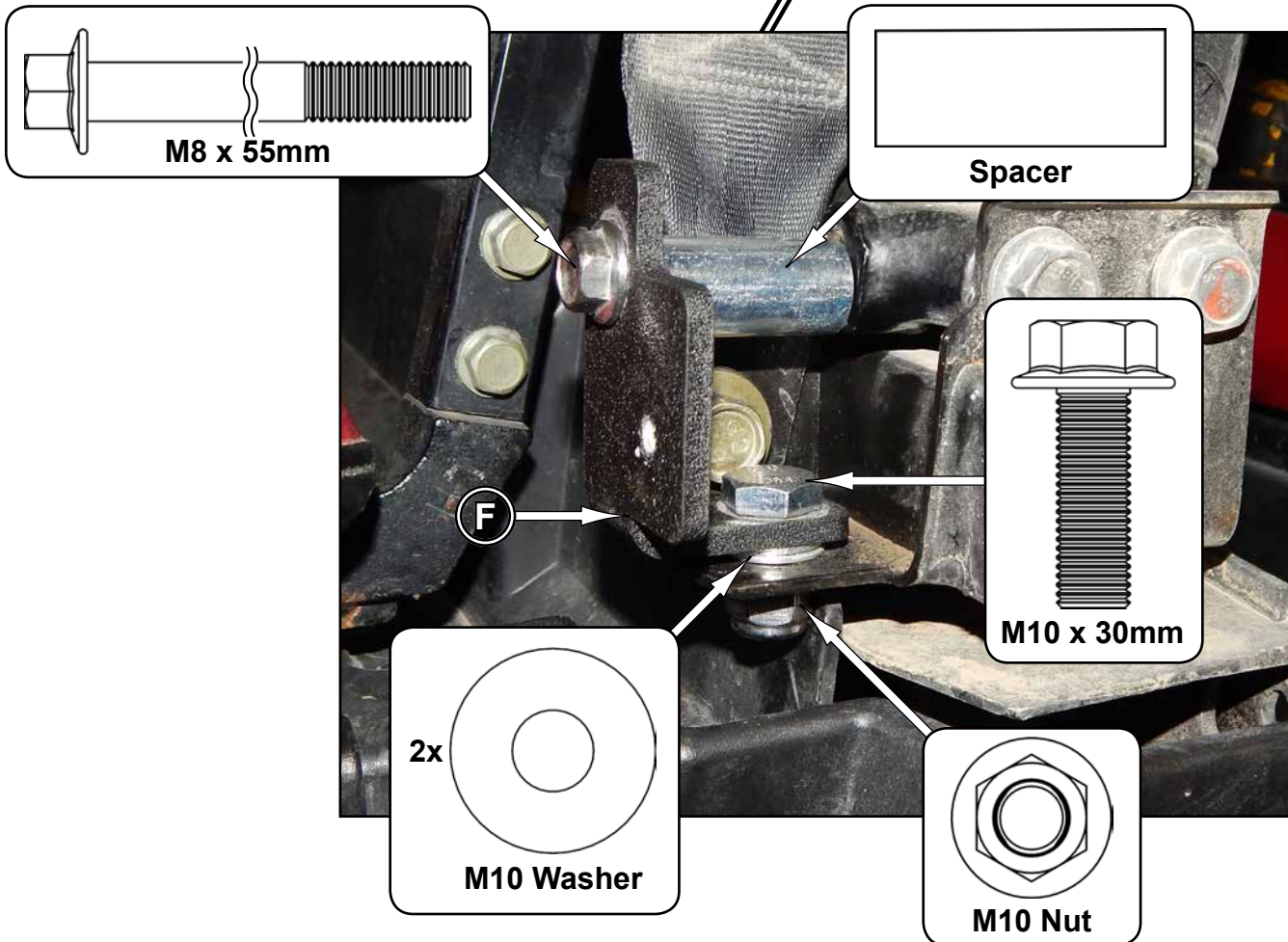
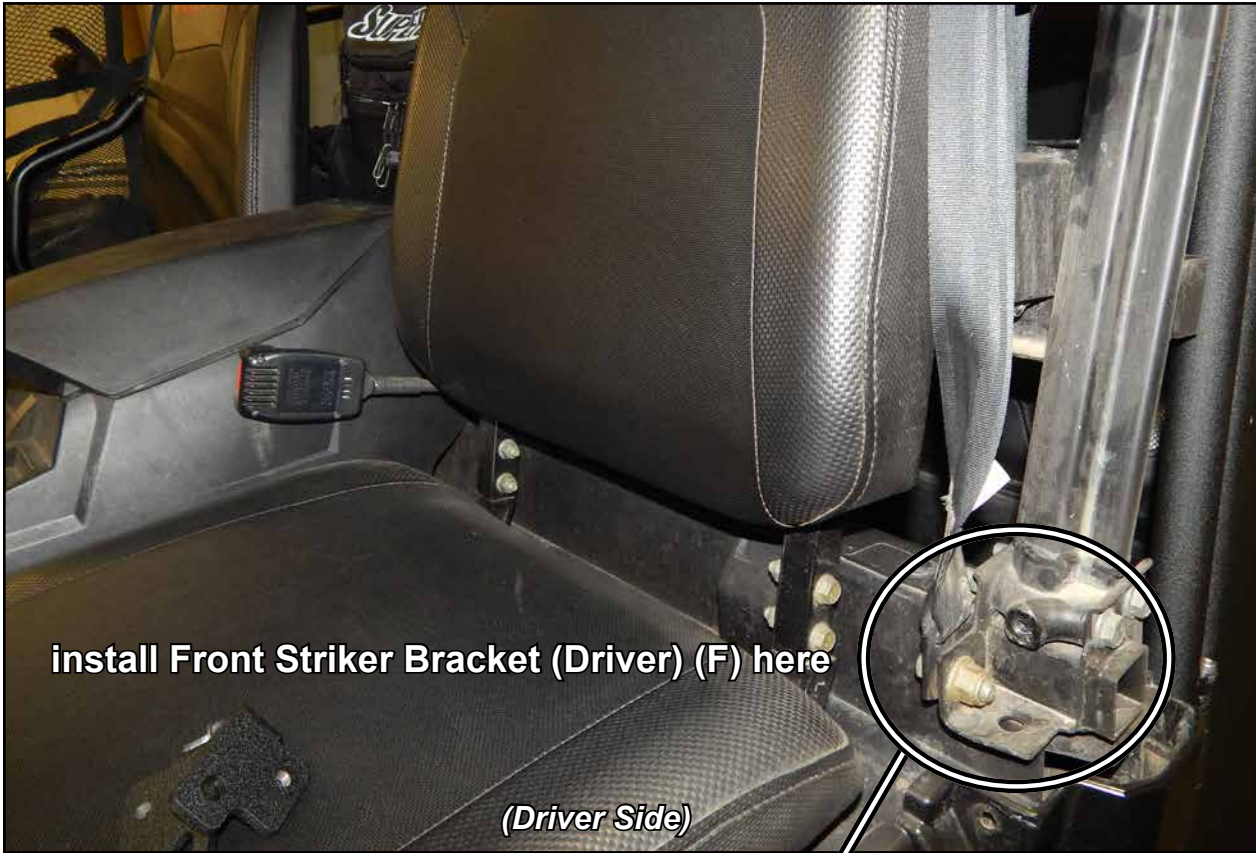
- Secure Front Driver Door (B) to Floor with M6-1.0 x 30mm Lg. Bolts.



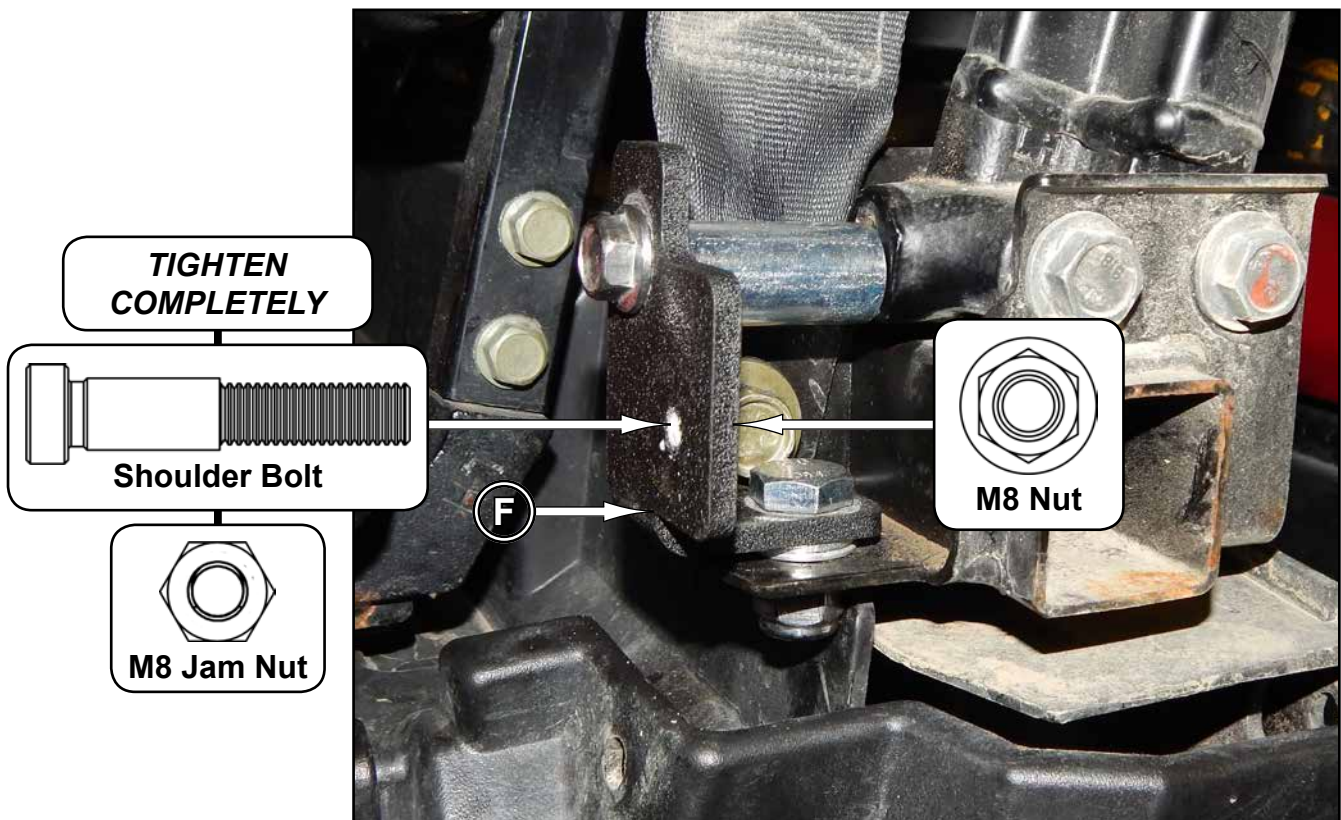
(Driver Side shown)



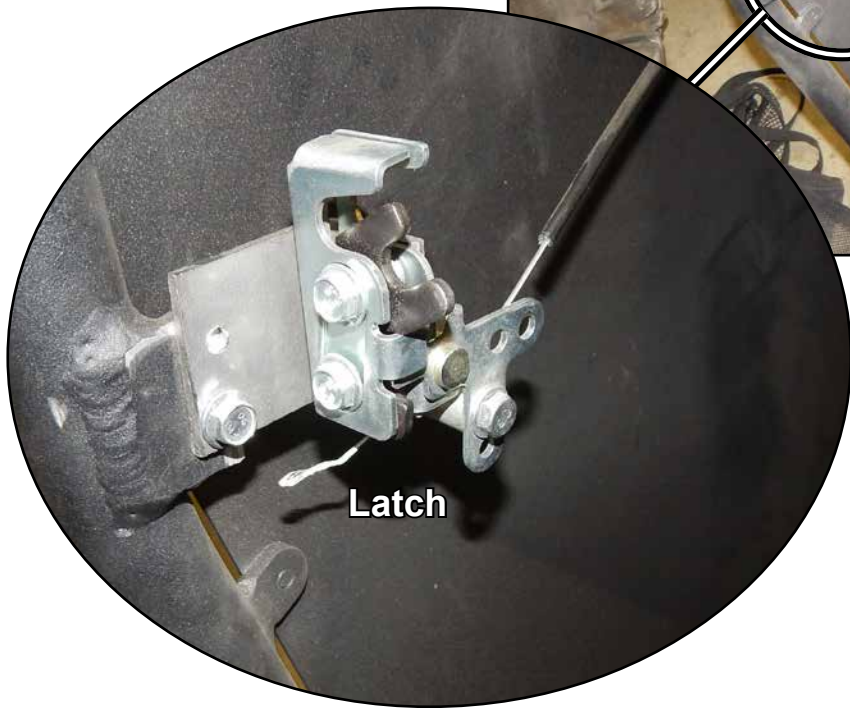
- Install Front Striker Bracket (Driver) (F) with hardware shown.



- Place Rear Upper Fender on machine and mark area around Front Striker Bracket (Driver) (F) that will need trimmed.
- Remove, trim, and install hardware shown to Front Striker Bracket (Driver) (F).

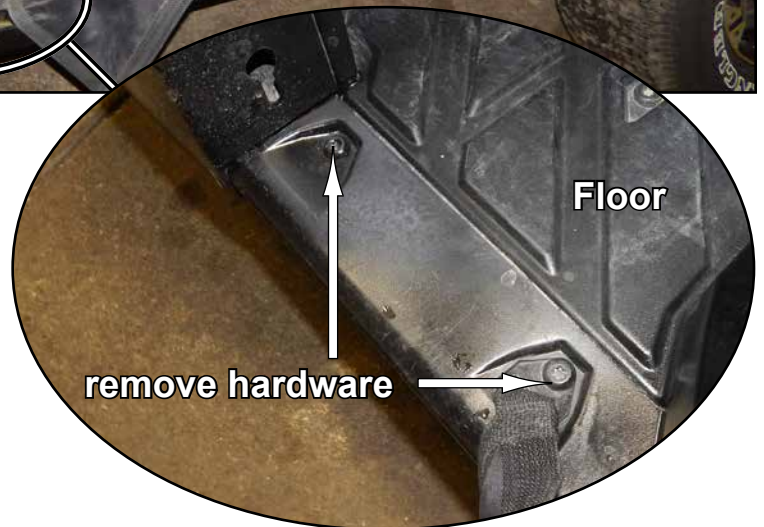
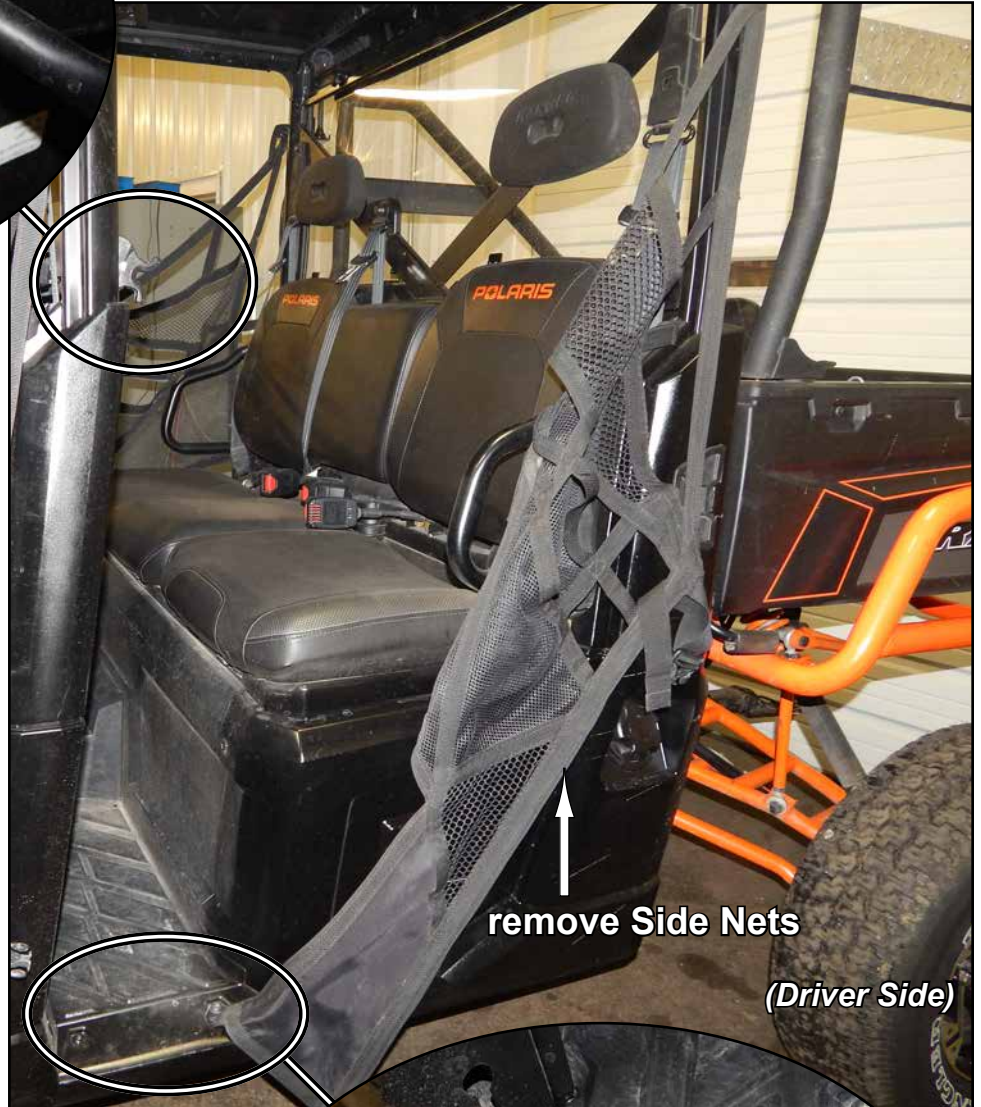


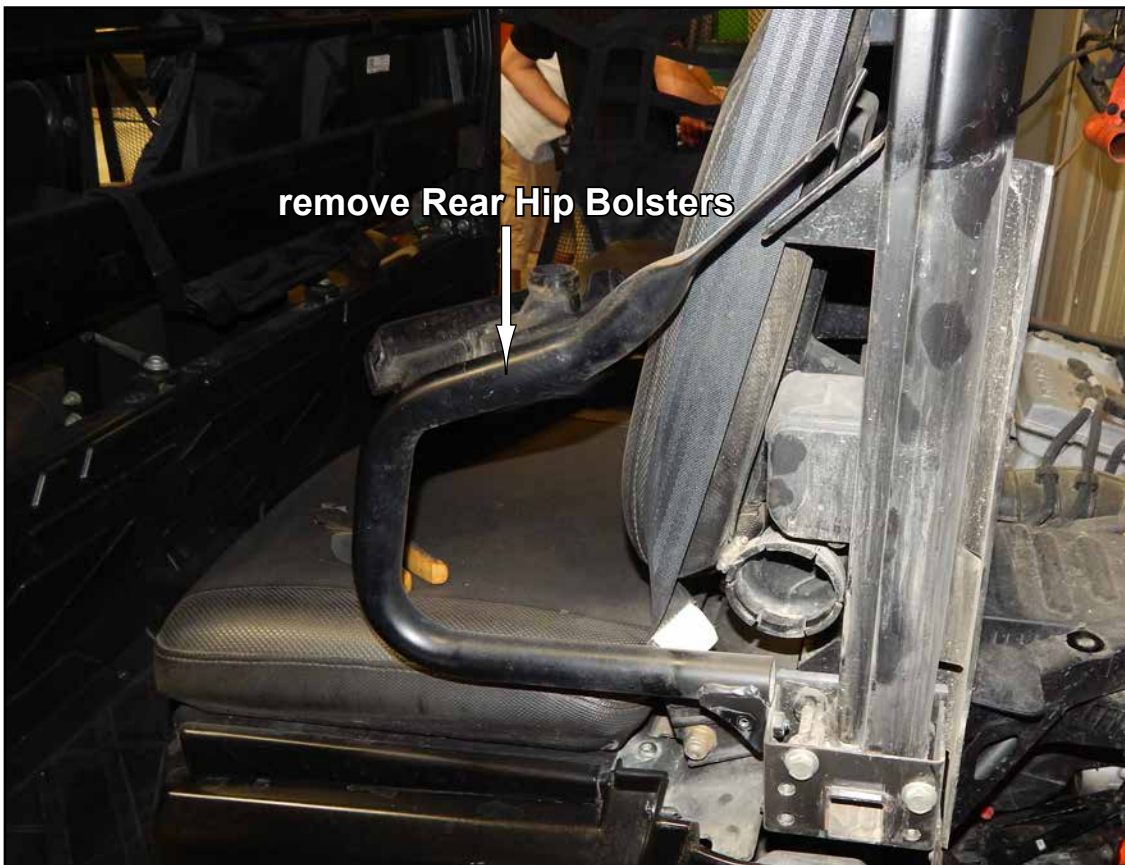
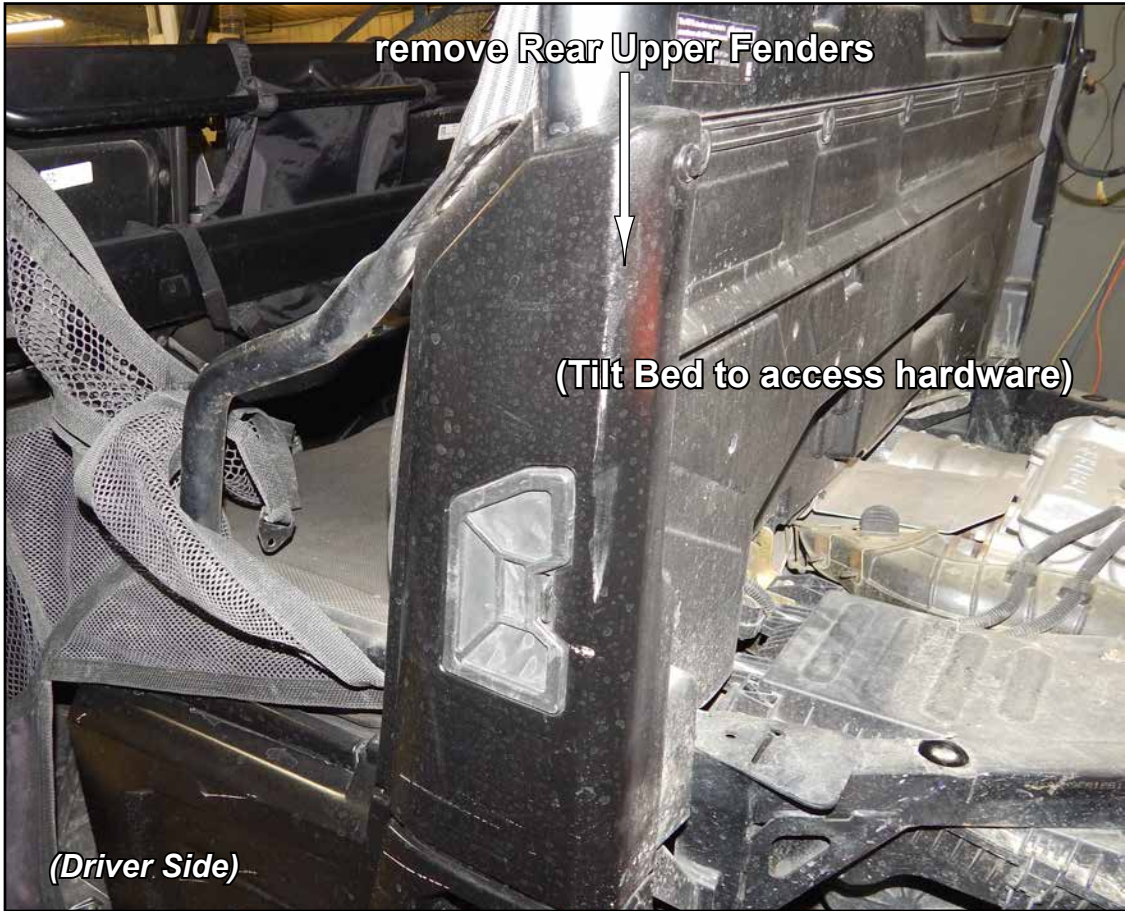
- Close Front Driver Door (B) completely so that Latch engages.
- Align to machine and tighten all hardware completely.



- Reinstall Upper Rear Upper Fender with stock hardware.
- Repeat steps for opposite side.

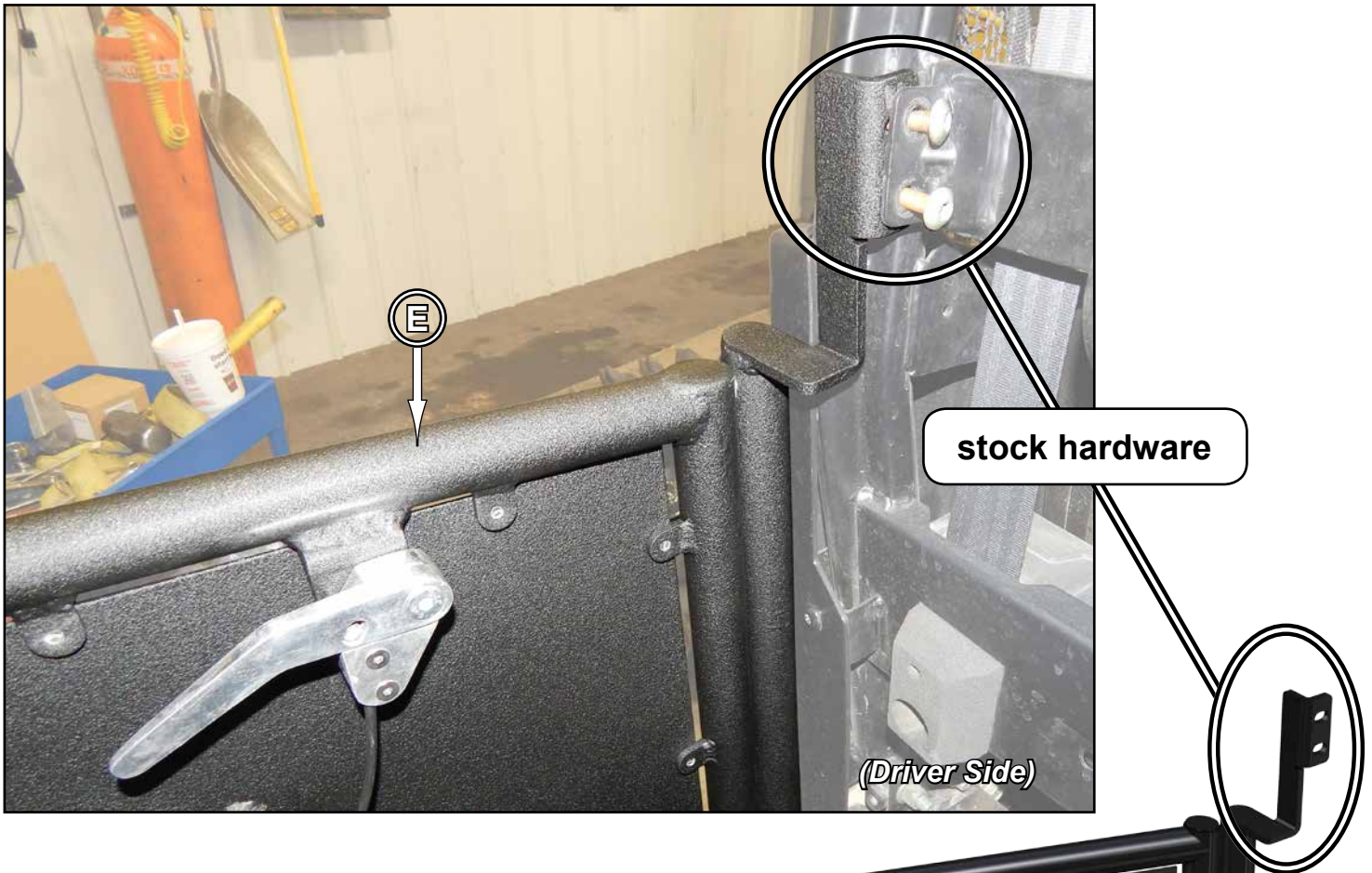
Rear Removal: Remove components shown from both sides of machine.
- keep all components removed from machine -



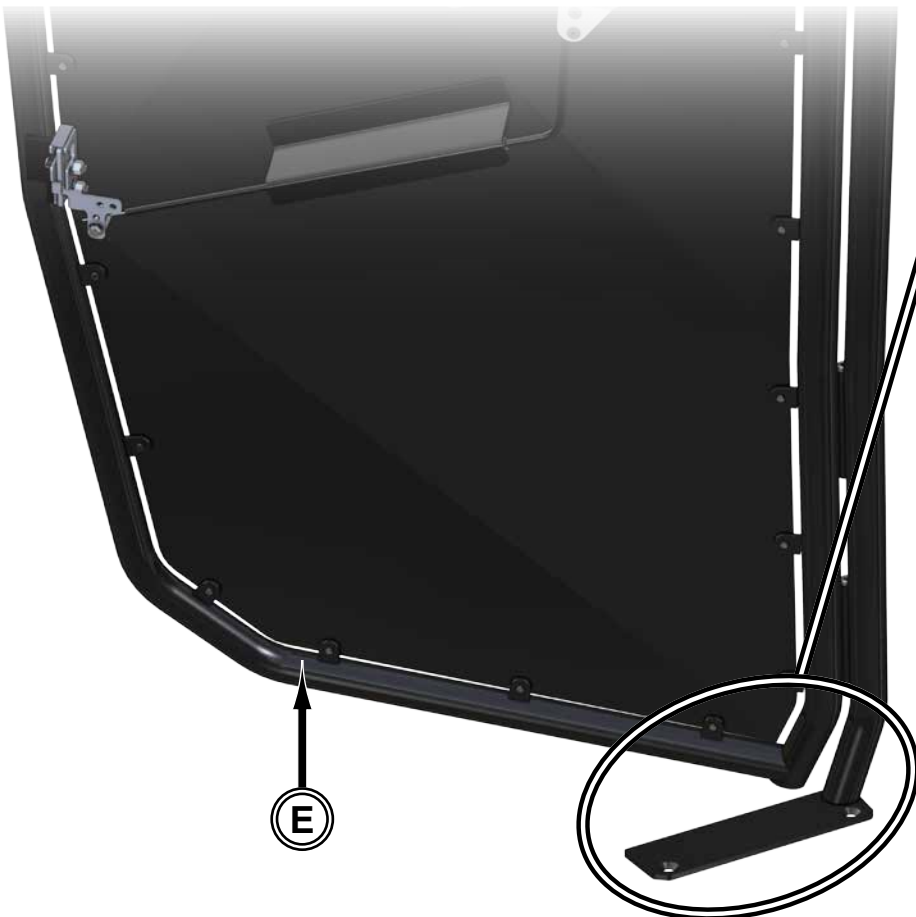
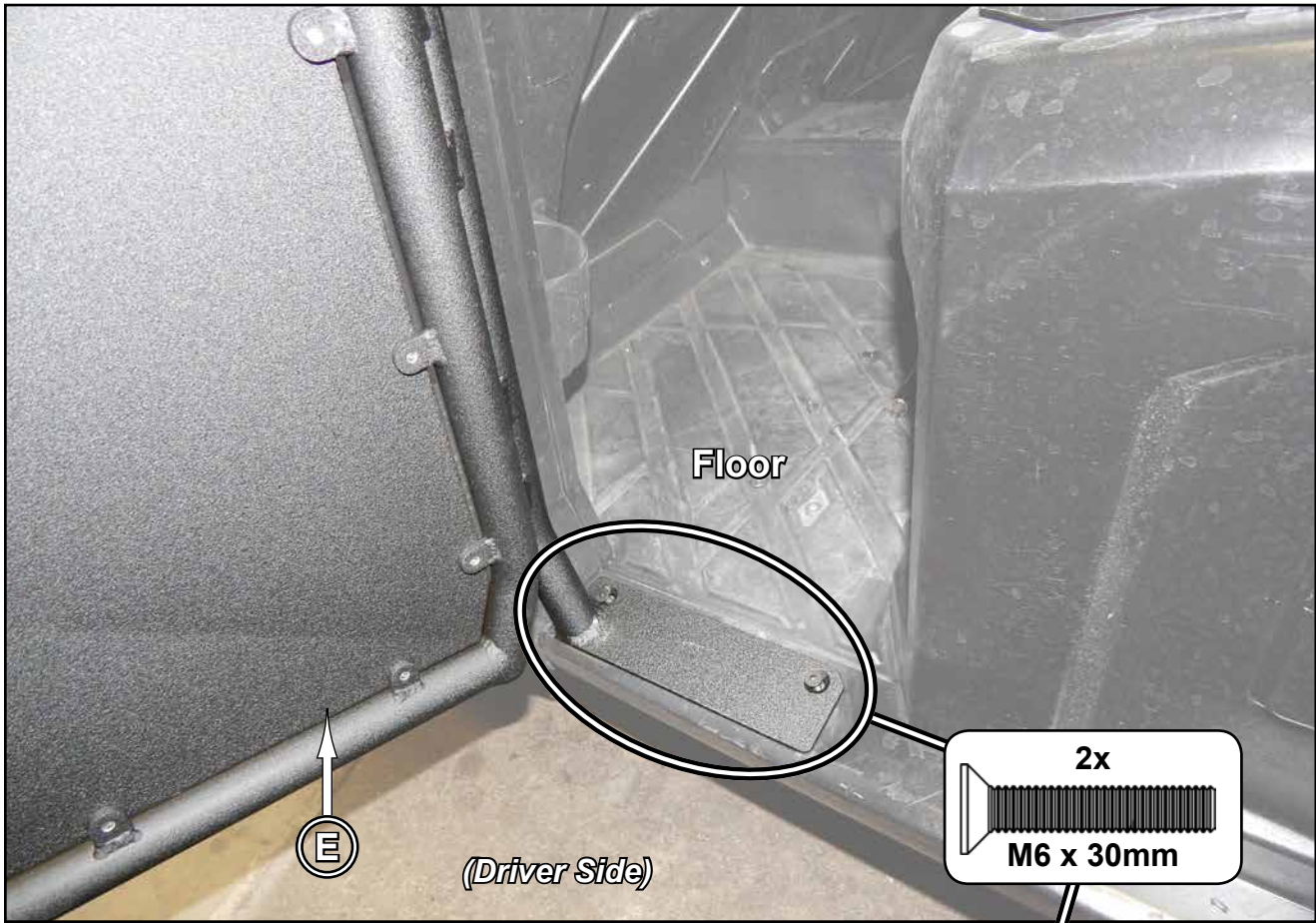


Rear Doors Installation: Do not tighten hardware completely unless noted.

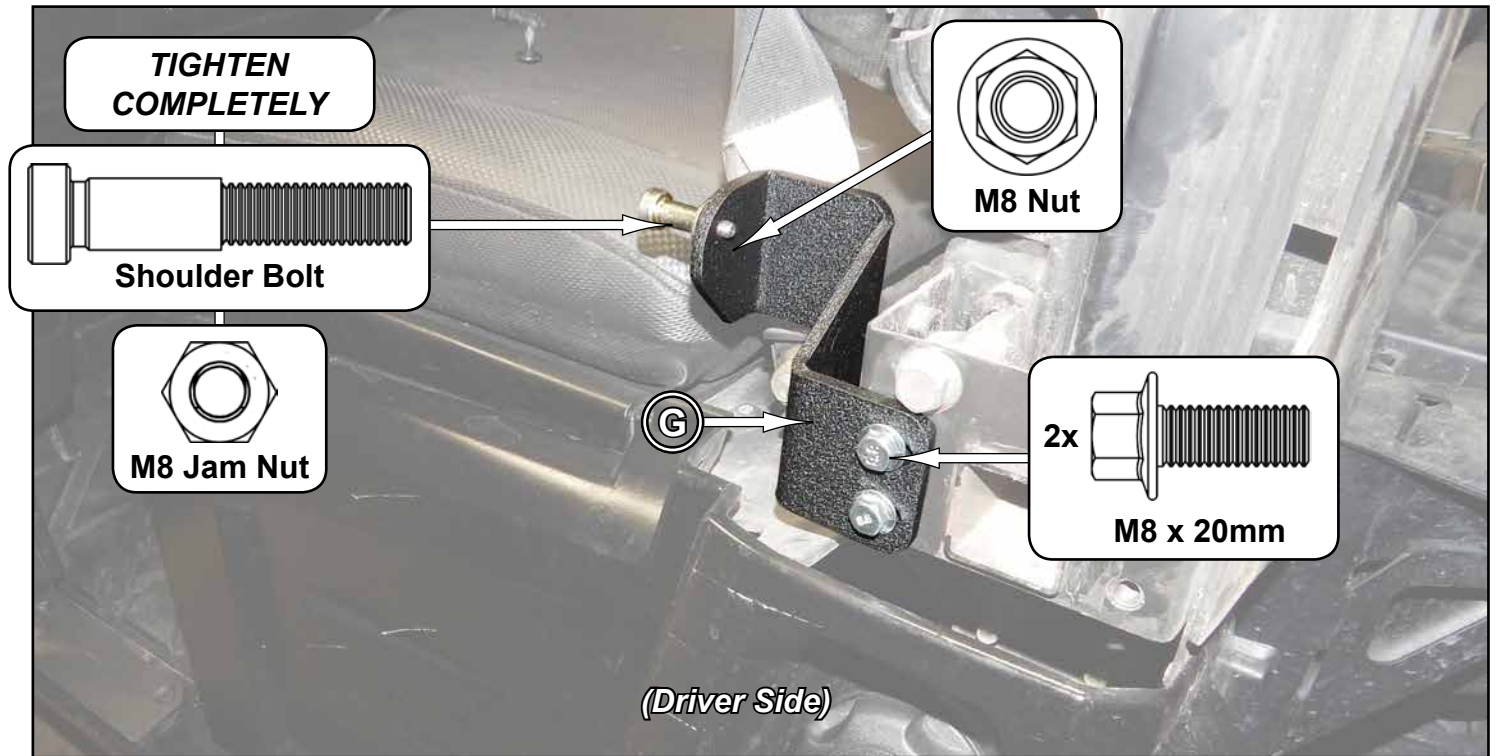
- Secure Rear Driver Door (E) with stock hardware.



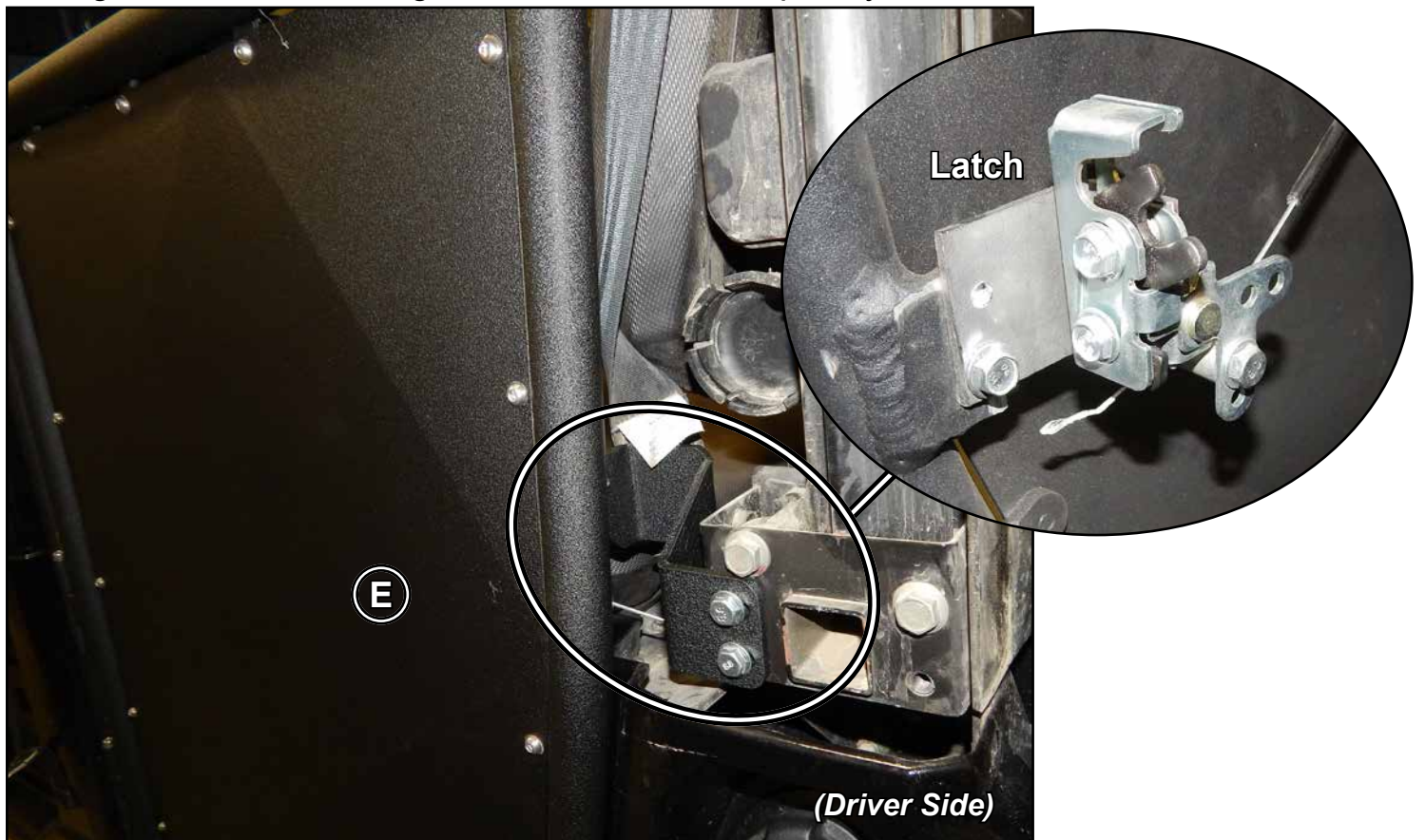
- Secure Rear Driver Door (E) to Floor with M6-1.0 x 30mm Lg. Bolts.



- Install Rear Striker Bracket (Driver) (G).
- Install hardware shown to Rear Striker Bracket (Driver) (G).



- Close Rear Driver Door (E) completely so that Latch engages.
- Align to machine and tighten all hardware completely.



- Reinstall Upper Rear Upper Fender with stock hardware.
- Repeat steps for opposite side.

Liability Statement

SuperATV's® products are designed to best fit user's ATV/UTV under stock conditions. Adding, modifying, or fabricating any factory or aftermarket parts will void any warranty provided by SuperATV® and is not recommended. SuperATV's® products could interfere with other aftermarket accessories. If user has aftermarket products on machine, contact SuperATV® to verify that they will work together.

Although SuperATV® has thousands of satisfied customers, user should be aware that installing lift kits, long travel, or suspension kits, tires, etc. will change the ride of machine and may increase maintenance and part wear. Operating any off-road machine while, or after, consuming alcohol and/or drugs increases risk of bodily harm or death. No warranty or representation is made as to this product's ability to protect user from severe injury or death. SuperATV® urges operators and occupants to wear a helmet and appropriate riding gear at all times.

By purchasing and installing SuperATV® products, user agrees that should damages occur, SuperATV® will not be held responsible for loss of time, use, labor fees, replacement parts, or freight charges. SuperATV®, nor any 3rd party, will not be held responsible for any direct, indirect, incidental, special, or consequential damages that result from any product purchased from SuperATV®. The total liability of seller to user for all damages, losses, and causes of action, if any, shall not exceed the total purchase price paid for the product that gave rise to the claim.

SuperATV® will warranty only parts provided by SuperATV®. Any damage or problems with OEM housings, bearings, seals, or other manufacturers' products will not be covered by SuperATV®. SuperATV® parts and products are not warrantied if item was not installed properly, misused, or modified.

Installing, adding, modifying, or fabricating any factory or aftermarket product to your ATV/UTV may violate certain local, state, and federal laws. Be advised that laws vary depending on town, city, county, state, etc. Use of certain products on public streets, roads, or highways may be in violation law. The Buyer is solely and exclusively legally and personally responsible for any violation of the law by the installation or use of the product. You must abide by all local, state, and federal laws, including but not limited to vehicle safety, traffic laws, and ordinances. It is your responsibility to know the laws and how they apply to you.

The Buyer is responsible to fully understand the capability and limitations of his/her vehicle according to manufacturer specifications, warnings and instructions and agrees to hold SuperATV® harmless from any damage resulting from failure to adhere to such specifications, warnings and/ or instructions. The Buyer is also responsible to obey all applicable federal, state, and local laws and ordinances when operating his/her vehicle while using this product, and the Buyer agrees to hold SuperATV® harmless from any violation thereof.