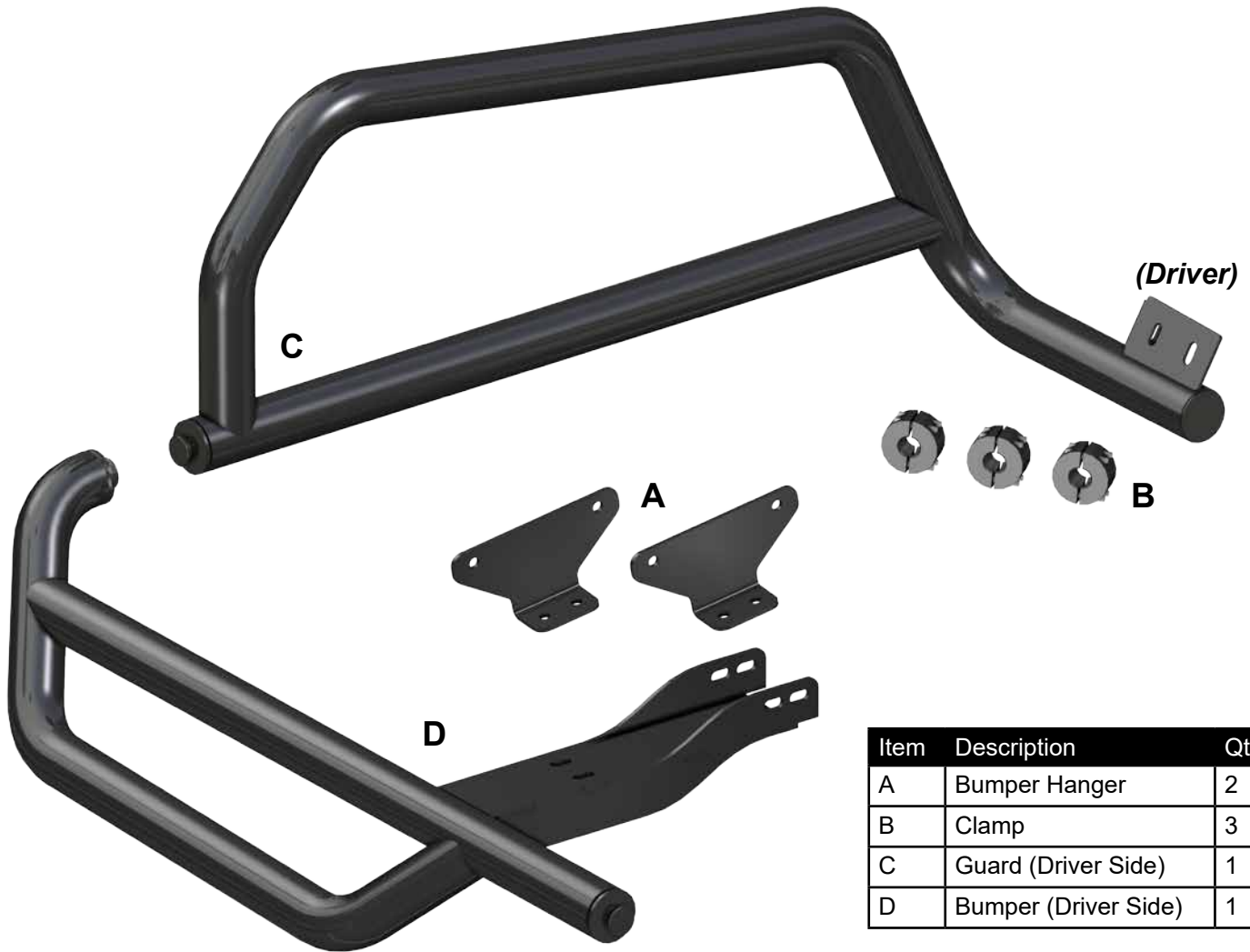


INSTALLATION INSTRUCTIONS
Extreme Rear Bumper:
for Polaris Ranger[®]



Item	Description	Qty
A	Bumper Hanger	2
B	Clamp	3
C	Guard (Driver Side)	1
D	Bumper (Driver Side)	1

(kit contents continue on following pages)

Read instructions and view illustrations before beginning.

Need help with your installation?



sales@superatv.com



www.superatv.com



1-812-574-7777



8:00am - 9:00pm EST M-Th
 8:00am - 7:00pm EST Friday
 9:00am - 2:00pm EST Saturday

*Thank You
 For Choosing*



Liability Statement

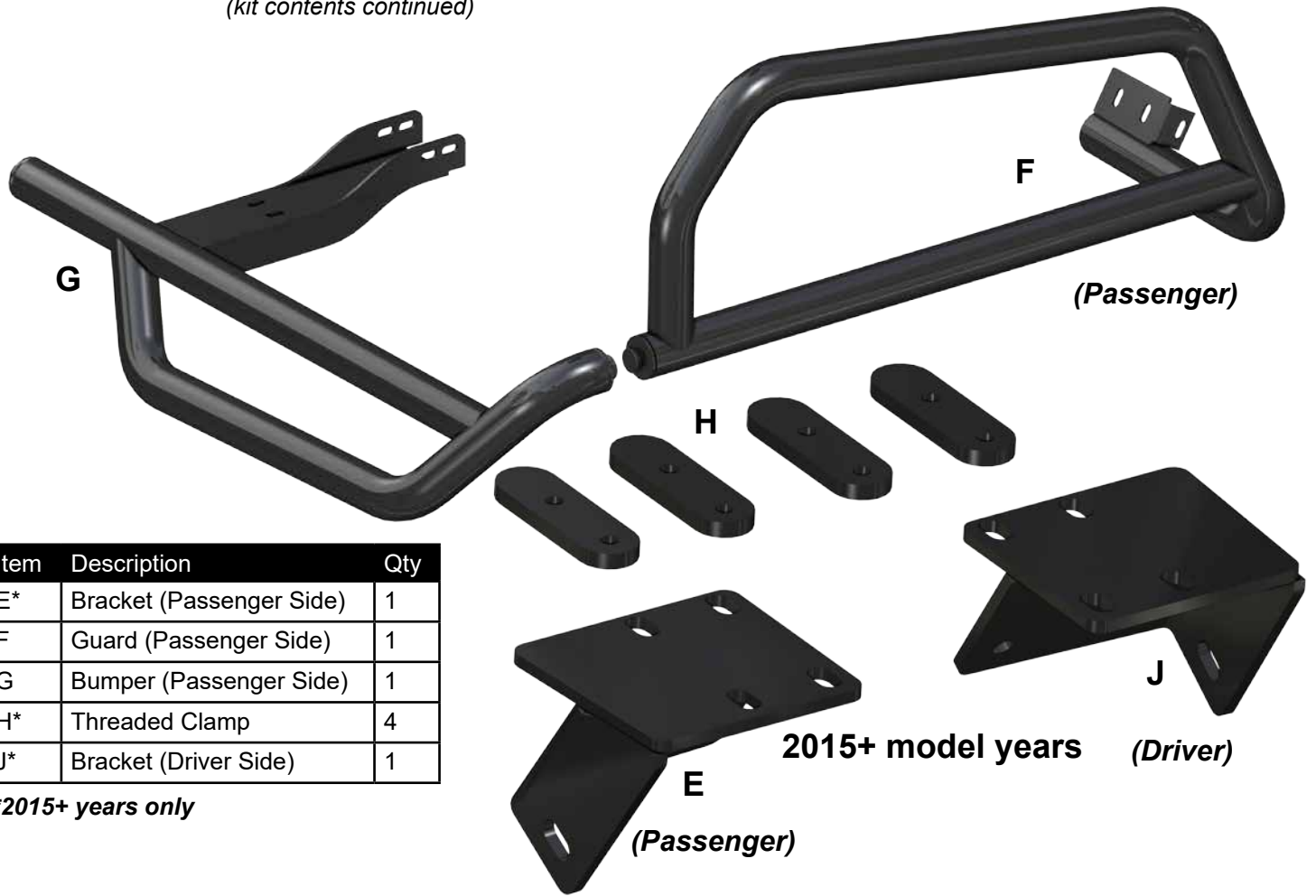
SuperATV's[®] products are designed to best fit user's ATV/UTV under stock conditions. Adding, modifying, or fabricating any factory or aftermarket parts will void any warranty provided by SuperATV[®] and is not recommended. SuperATV's[®] products could interfere with other aftermarket accessories. If user has aftermarket products on machine, contact SuperATV[®] to verify that they will work together.

Although SuperATV[®] has thousands of satisfied customers, user should be aware that installing lift kits, long travel, or suspension kits, tires, etc. will change the ride of machine and may increase maintenance and part wear. Operating any off-road machine while, or after, consuming alcohol and/or drugs increases risk of bodily harm or death. No warranty or representation is made as to this product's ability to protect user from severe injury or death. SuperATV[®] urges operators and occupants to wear a helmet and appropriate riding gear at all times.

By purchasing and installing SuperATV[®] products, user agrees that should damages occur, SuperATV[®] will not be held responsible for loss of time, use, labor fees, replacement parts, or freight charges. SuperATV[®], nor any 3rd party, will not be held responsible for any direct, indirect, incidental, special, or consequential damages that result from any product purchased from SuperATV[®]. The total liability of seller to user for all damages, losses, and causes of action, if any, shall not exceed the total purchase price paid for the product that gave rise to the claim.

SuperATV[®] will warranty only parts provided by SuperATV[®]. Any damage or problems with OEM housings, bearings, seals, or other manufacturers' products will not be covered by SuperATV[®]. SuperATV[®] parts and products are not warranted if item was not installed properly, misused, or modified.

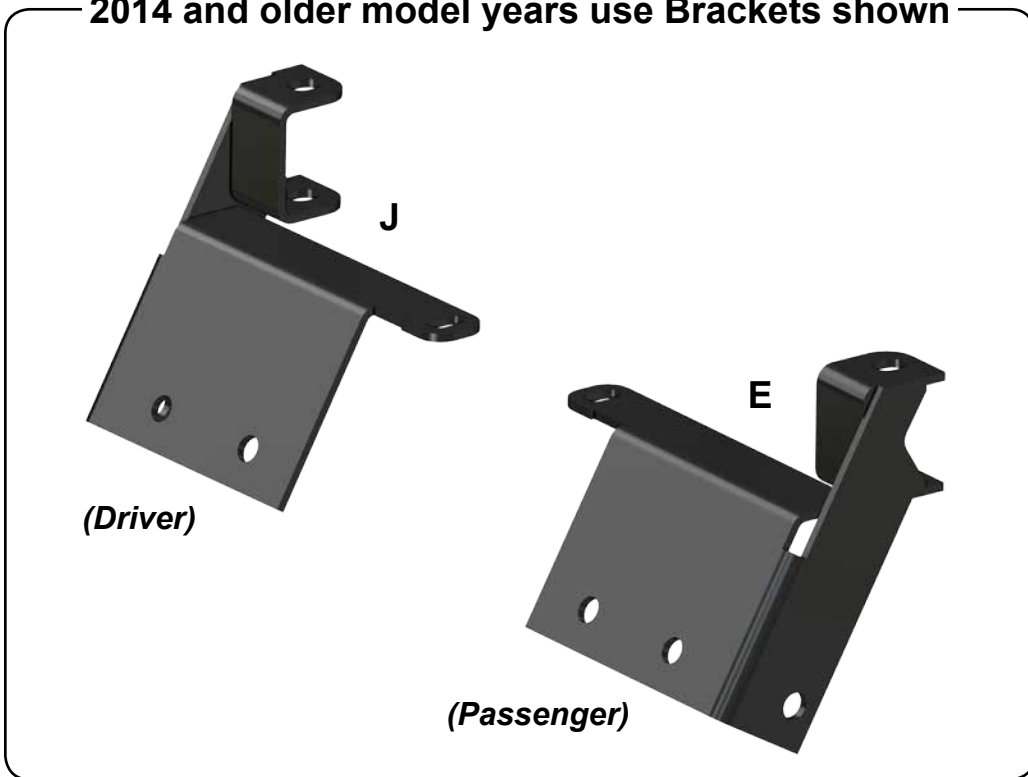
(kit contents continued)



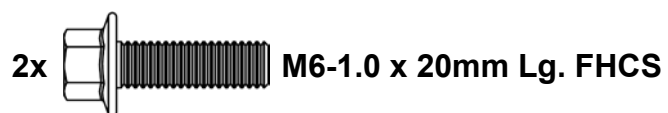
Item	Description	Qty
E*	Bracket (Passenger Side)	1
F	Guard (Passenger Side)	1
G	Bumper (Passenger Side)	1
H*	Threaded Clamp	4
J*	Bracket (Driver Side)	1

***2015+ years only**

2014 and older model years use Brackets shown



(kit contents continued)



Some hardware may remain after installation

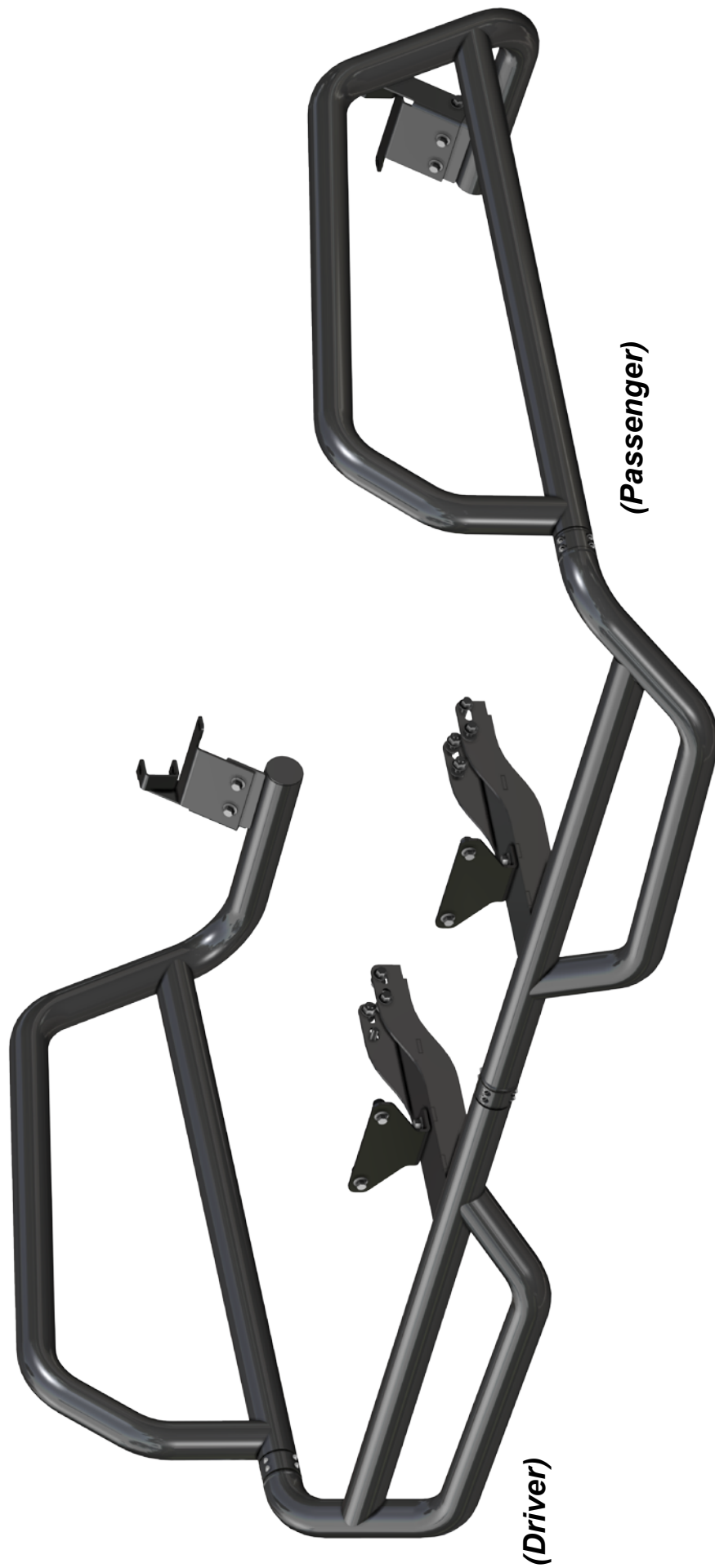
2015+ model years reference illustration (do not assemble at this time)



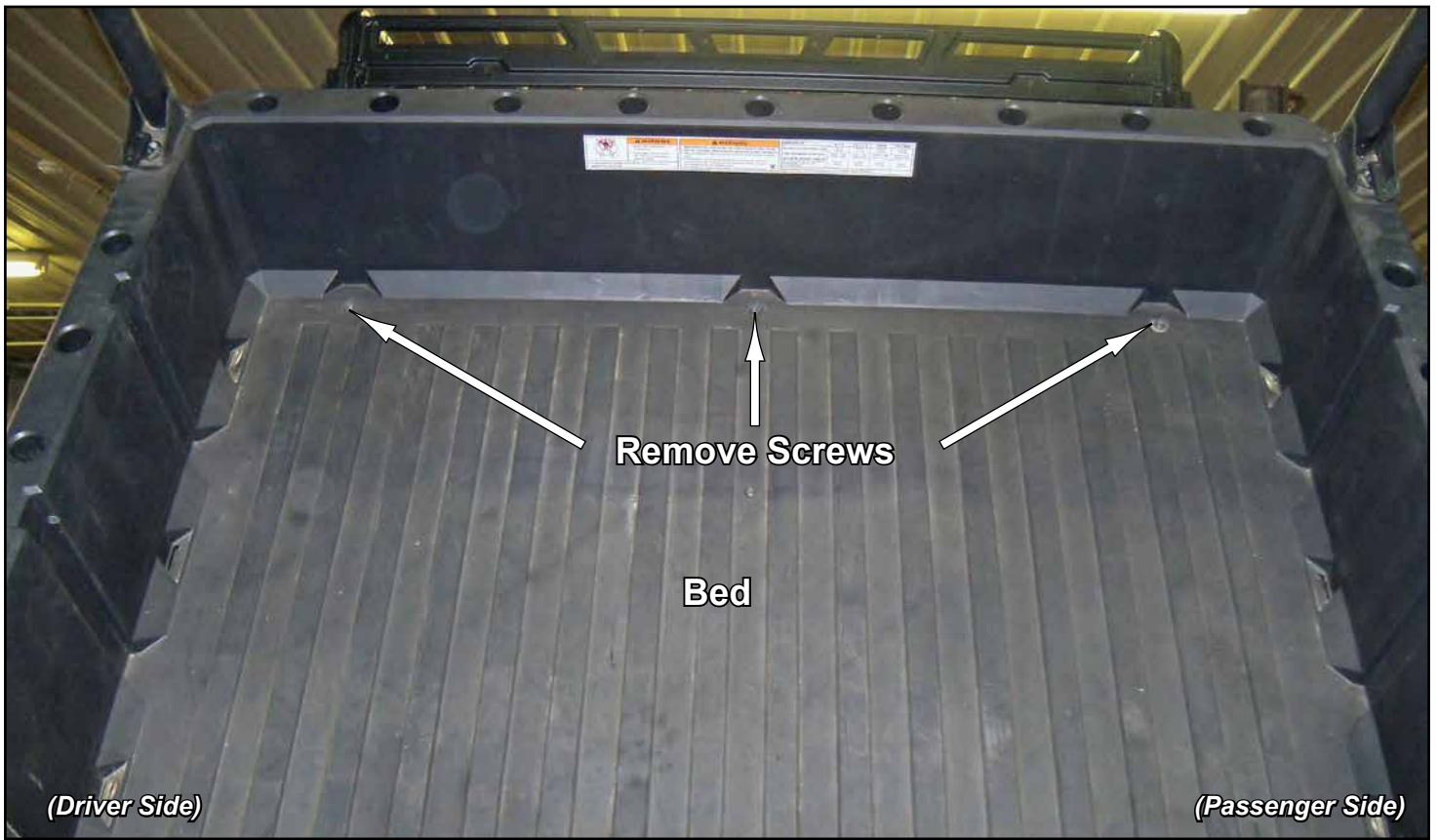
(Driver)

(Passenger)

2014 and older model years reference illustration (do not assemble at this time)

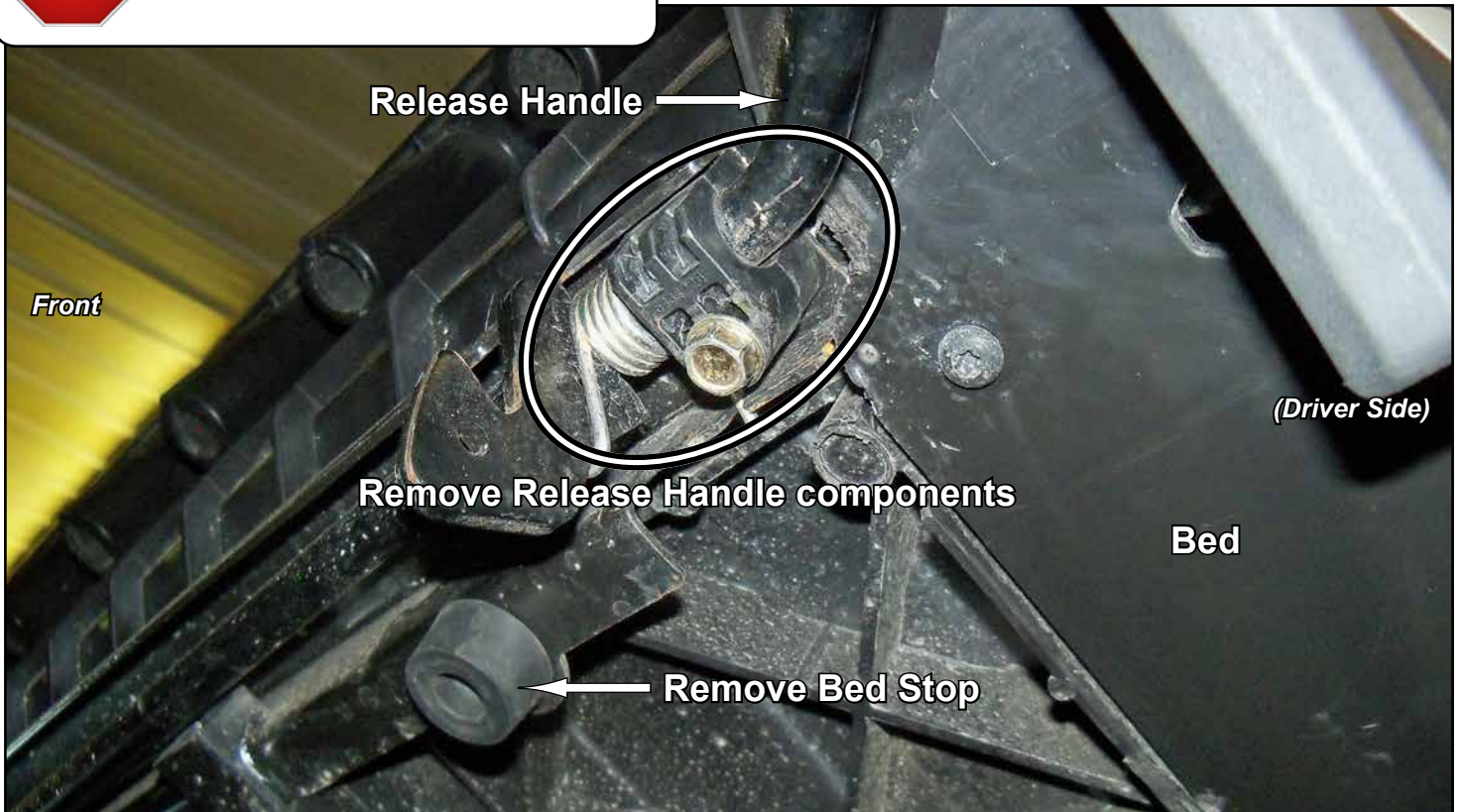


- Remove Screws from Bed as shown.

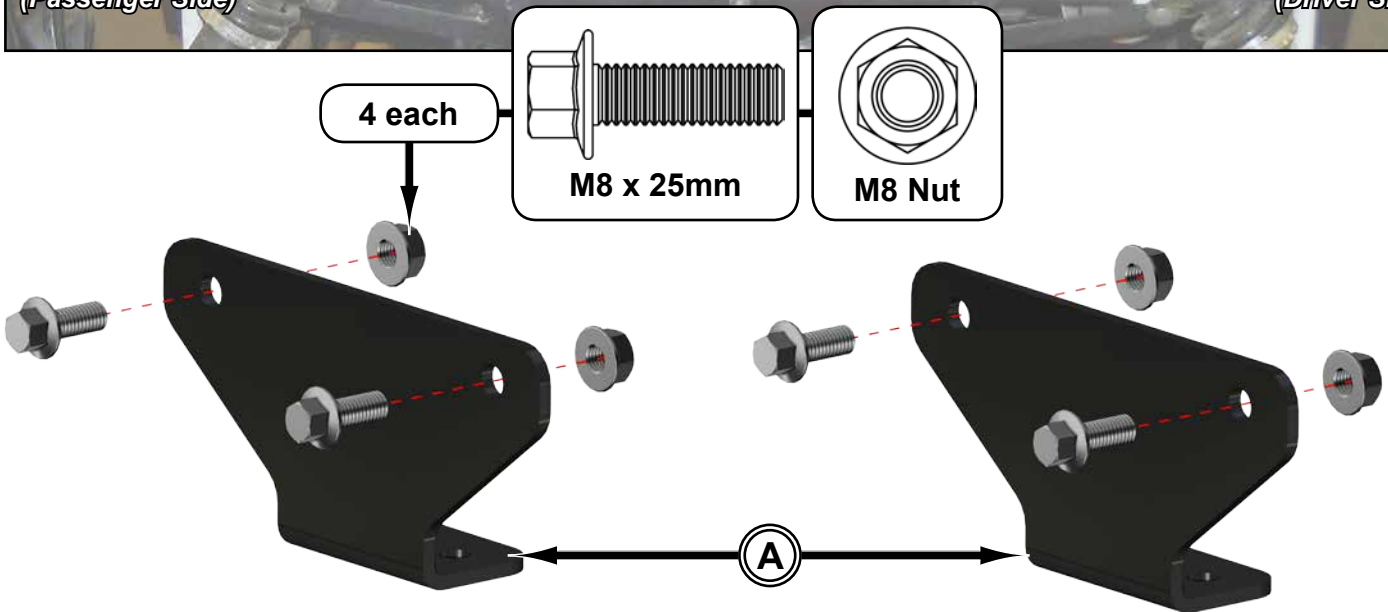


STOP 2014 and older models only

- Remove Release Handle Components and Bed Stops.



- Install Bumper Hangers (A) to Frame with hardware shown.

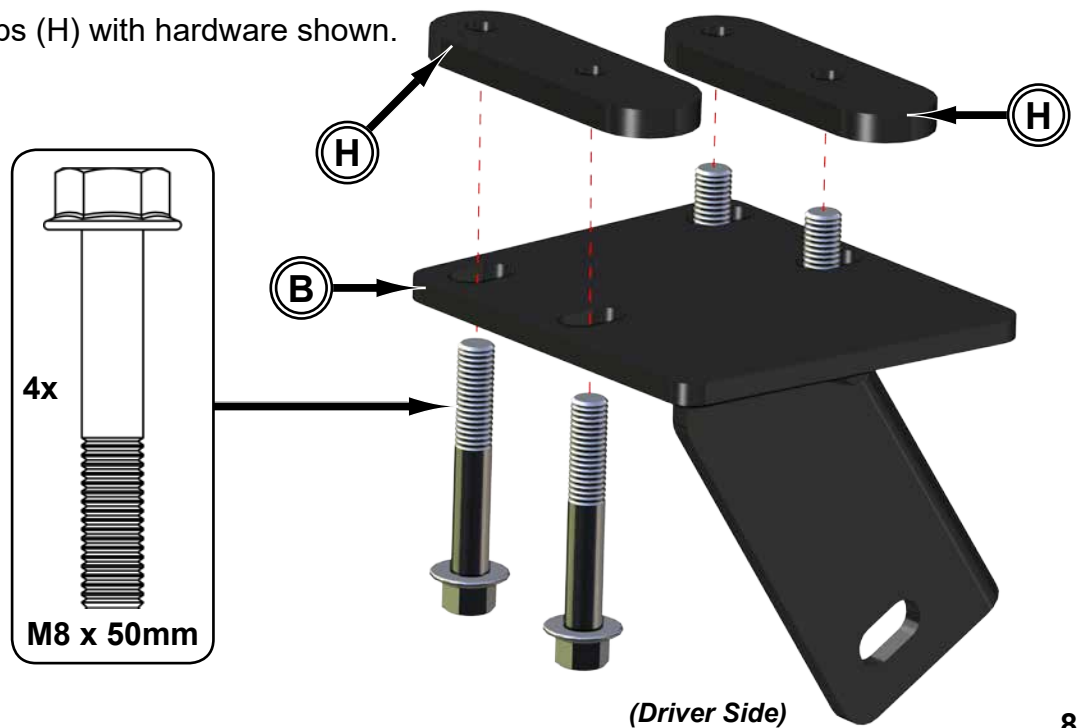


2015+ models only

- Install Threaded Clamps (H) over section of Bed Frame as shown. Repeat for opposite side.

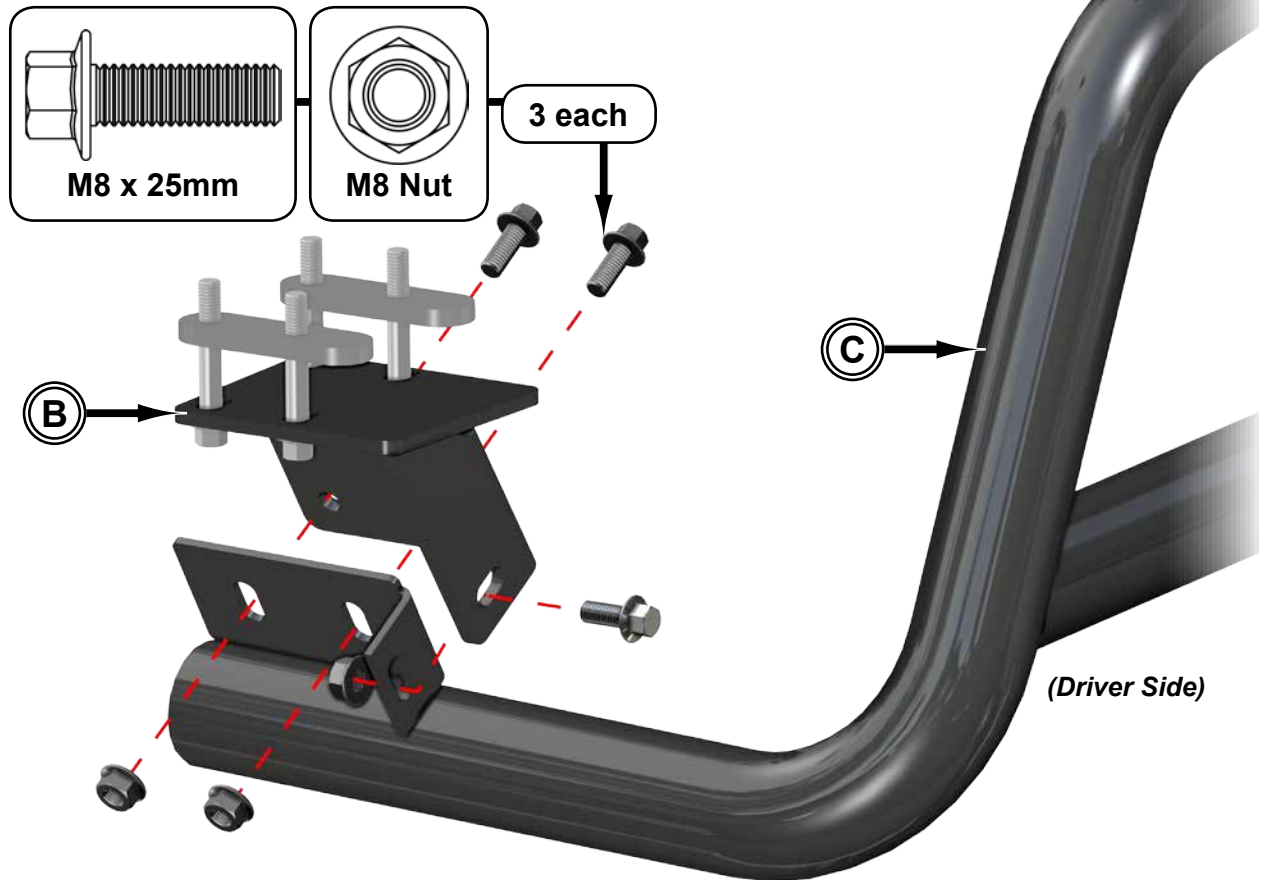


- Install Bracket (B) to Clamps (H) with hardware shown.
- Repeat for opposite side.



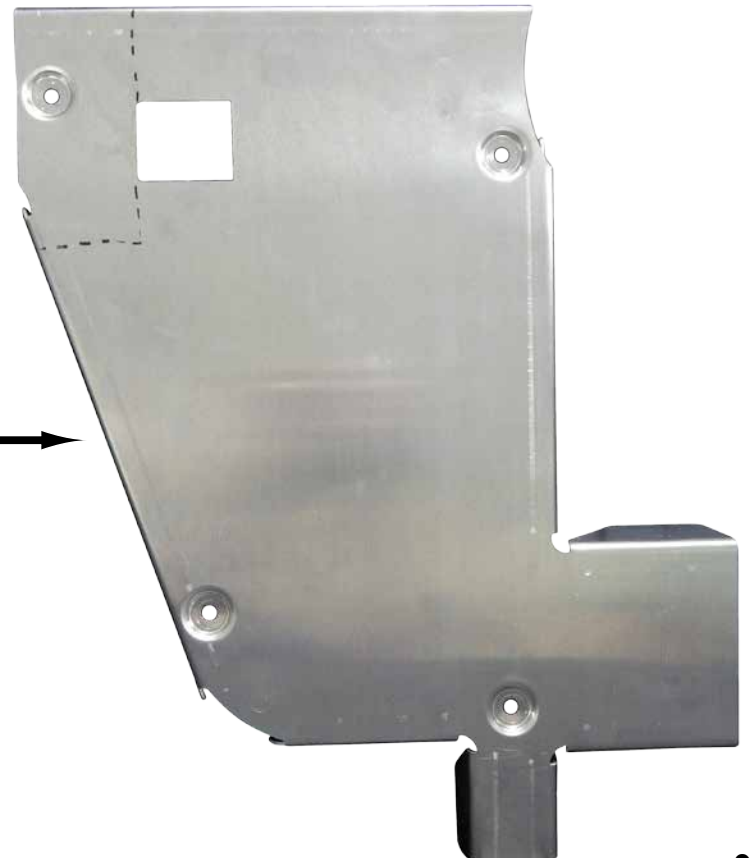
2015+ models only

- Install driver side Guard (C) to Bracket (B) with hardware shown.
- Repeat for opposite side.



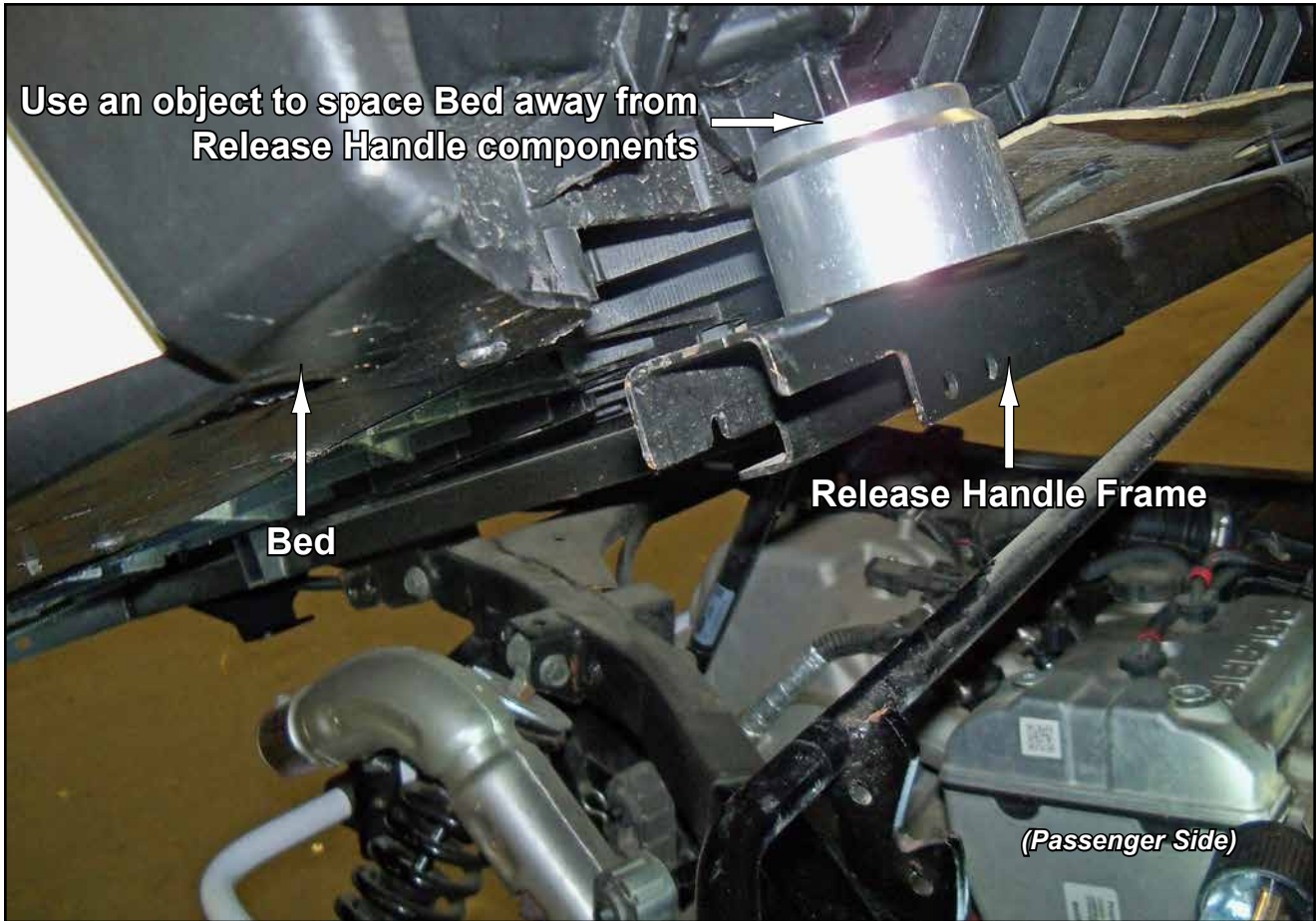
- Some machines are equipped with a Heat Shield on passenger side.
- Remove from machine and trim area shown.
- Reinstall with stock hardware.

Heat Shield →

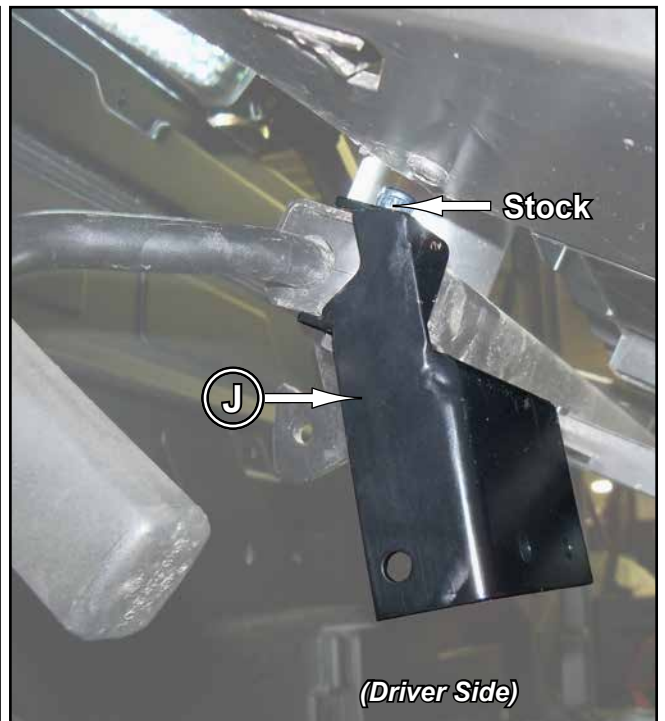
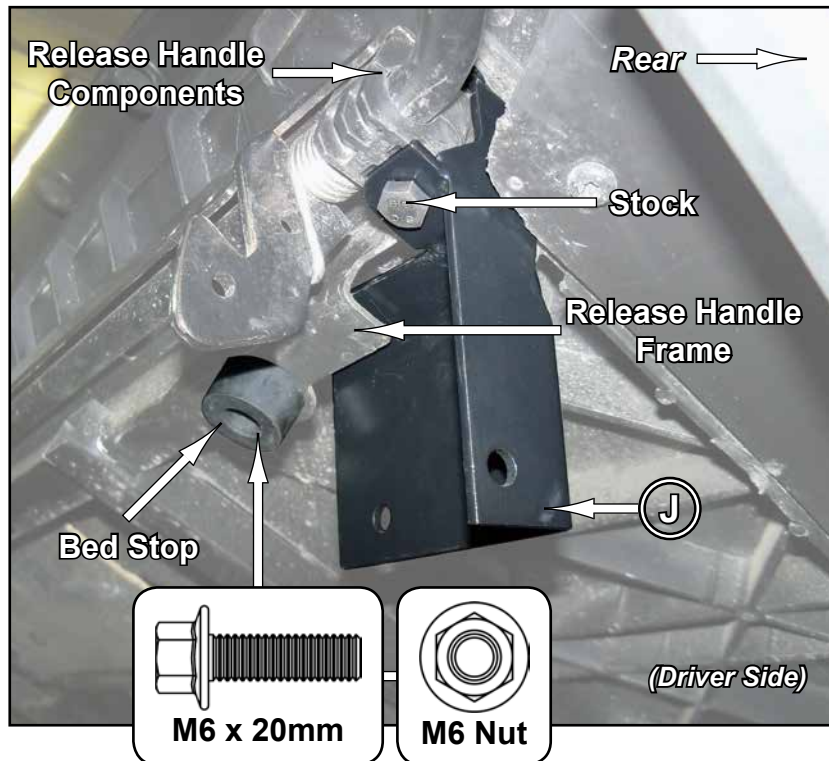


2014 and older models only

- Place an object between Bed and Release Handle Frame to ease Brackets (E)(J) installation.



- Install Bracket (J) to Release Handle Frame with stock hardware. Reinstall Release Handle Components at this time.
- Reinstall Bed Stops with hardware shown.



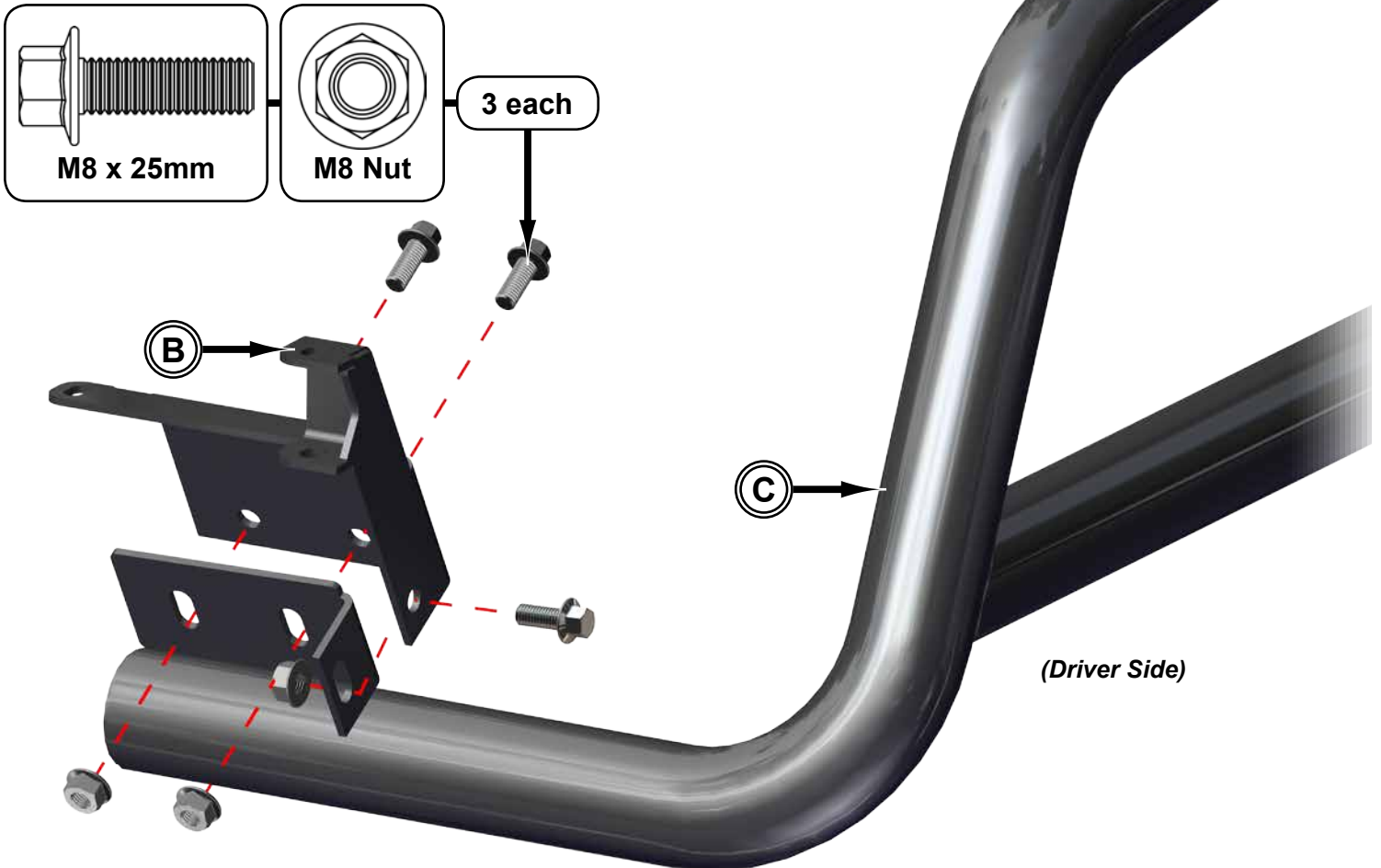
2014 and older models only

- Join Guard (C) and Bumper (D) with Clamp (B).

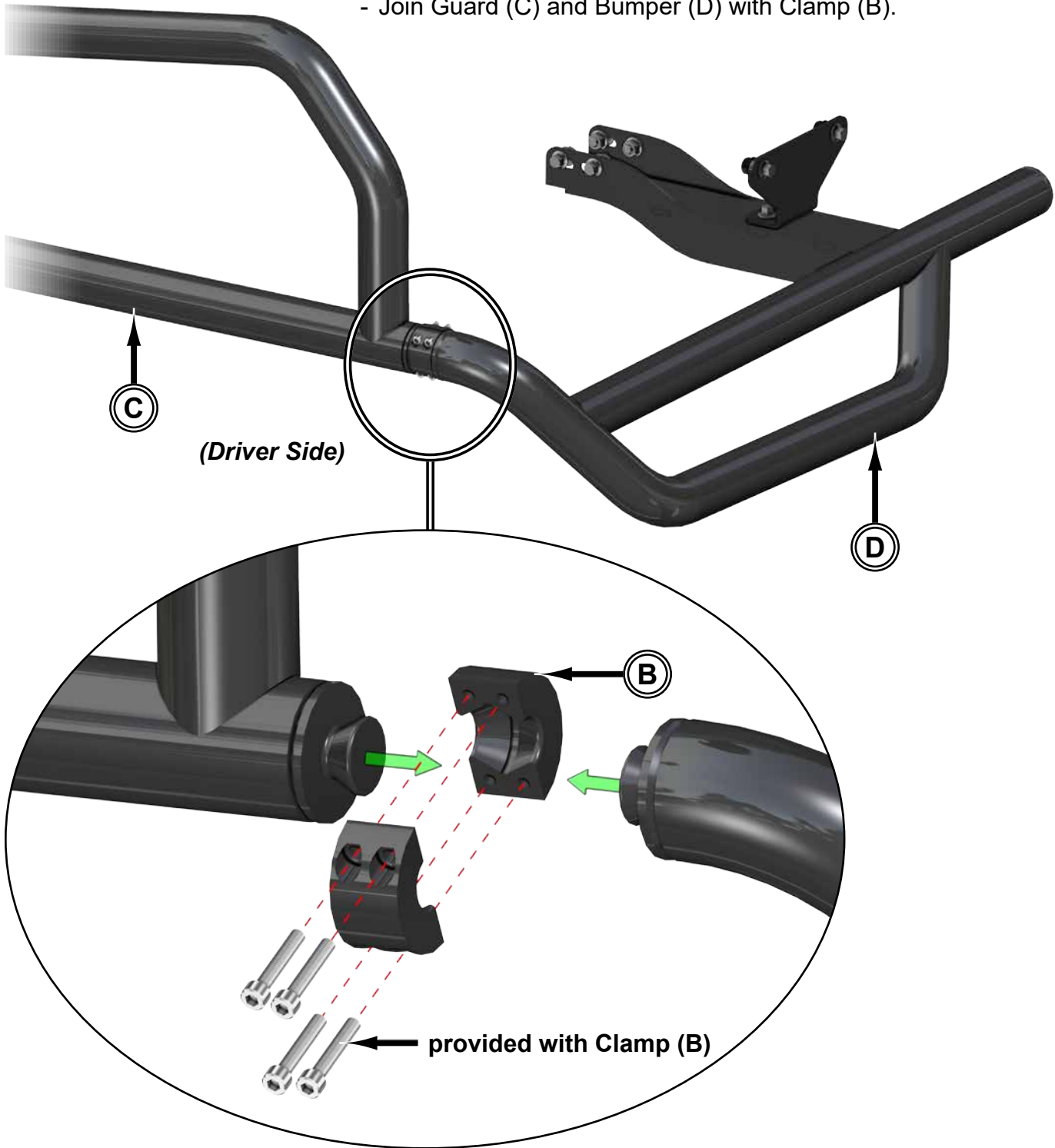


(Driver Side)

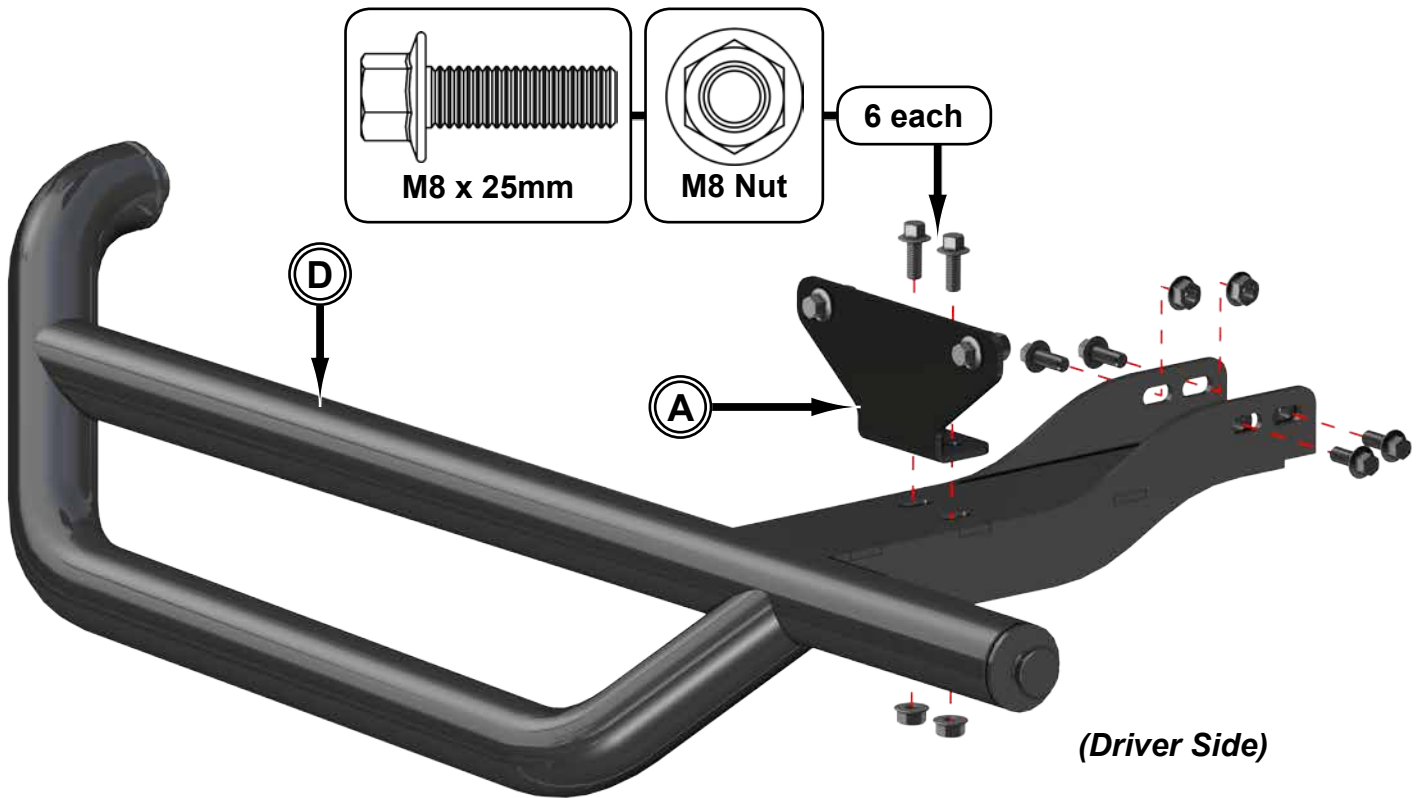
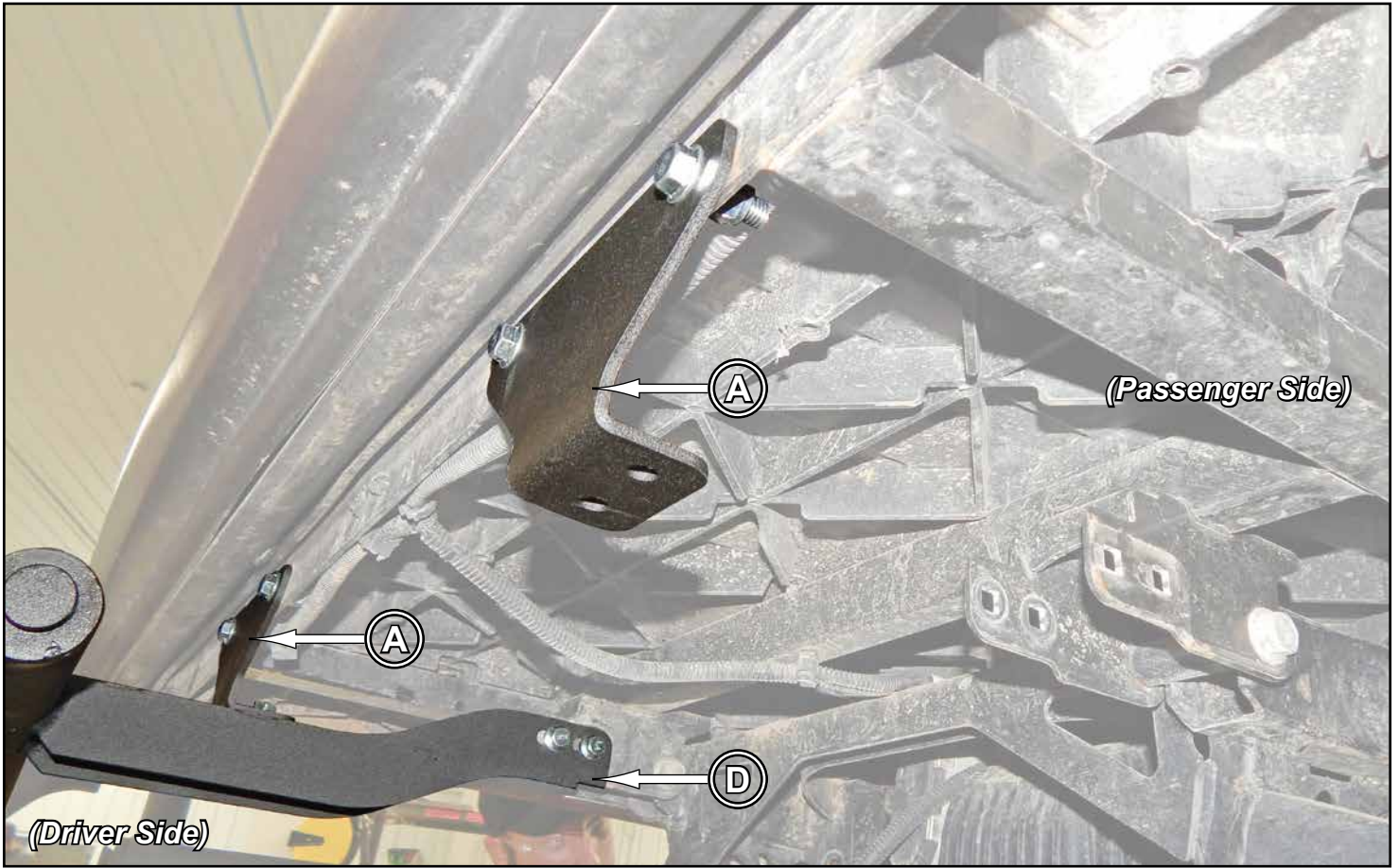
- Install driver side Guard (C) to Bracket (B) with hardware shown.
- Repeat for opposite side.



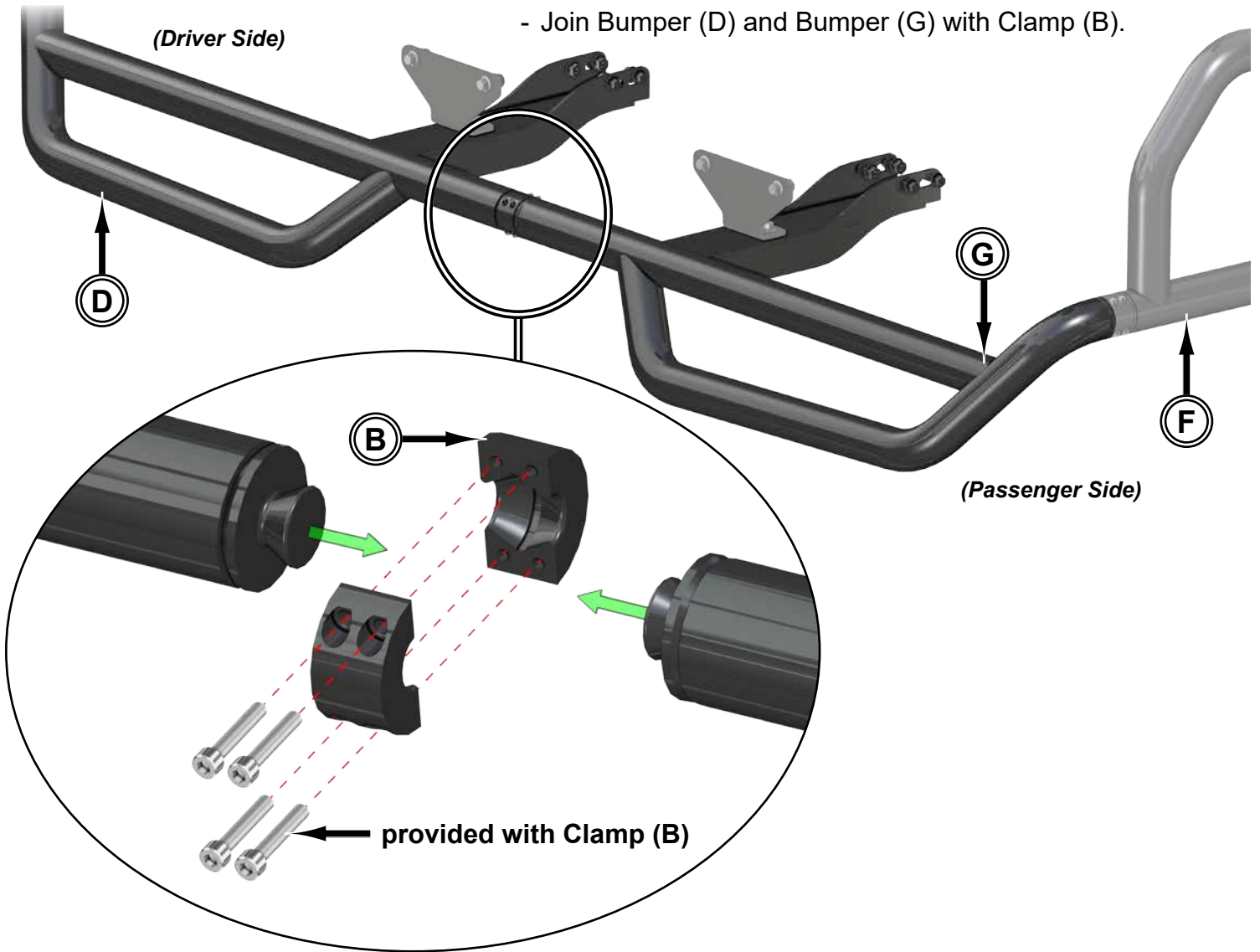
- Join Guard (C) and Bumper (D) with Clamp (B).



- Install driver side Bumper (D) to Bumper Hanger (A) with hardware shown.
- Repeat for passenger side Bumper (G).



- Join Bumper (D) and Bumper (G) with Clamp (B).



2015+ models only

- Secure Bed Stops with hardware shown.

