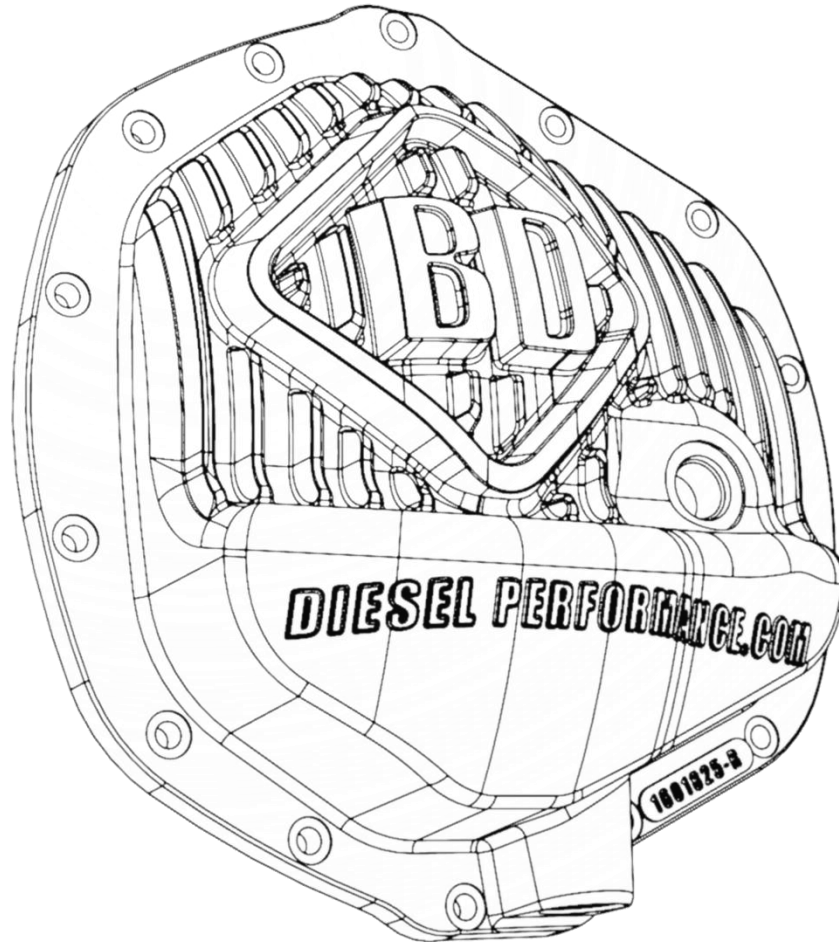




**DOWNLOAD ENHANCED
INSTALL MANUALS AT
dieselperformance.com**



DIFFERENTIAL COVER KIT

2001-13 Duramax 2500/3500 AAM 11.5"

2001-07 GM (gas) V8-8.1 AAM 11.5"

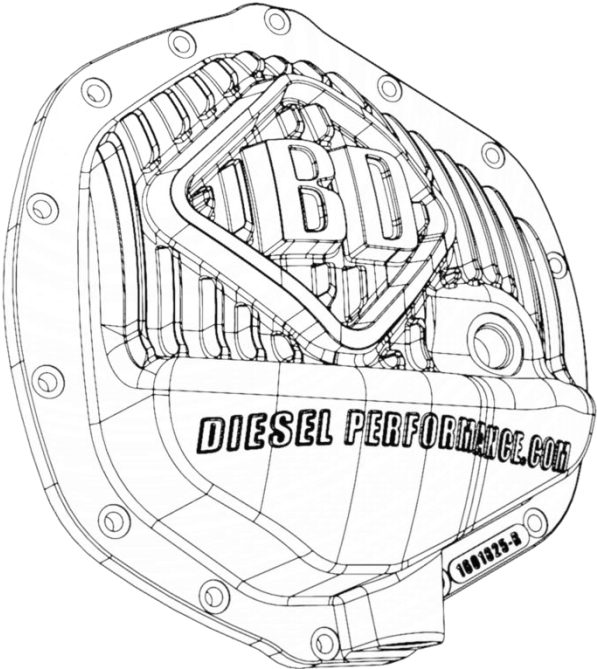
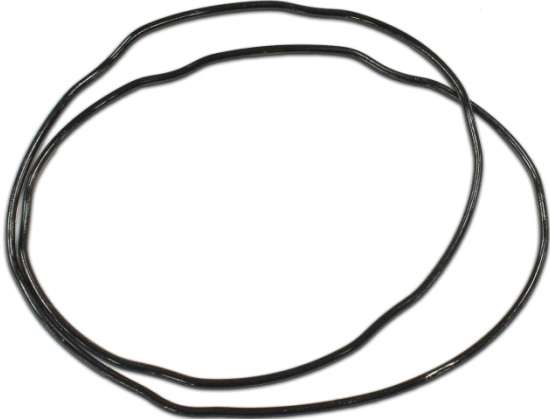




2003-14 Dodge 2500/3500 AAM 11.5"

Part #: 1061825

PLEASE READ ALL INSTRUCTIONS BEFORE INSTALLATION

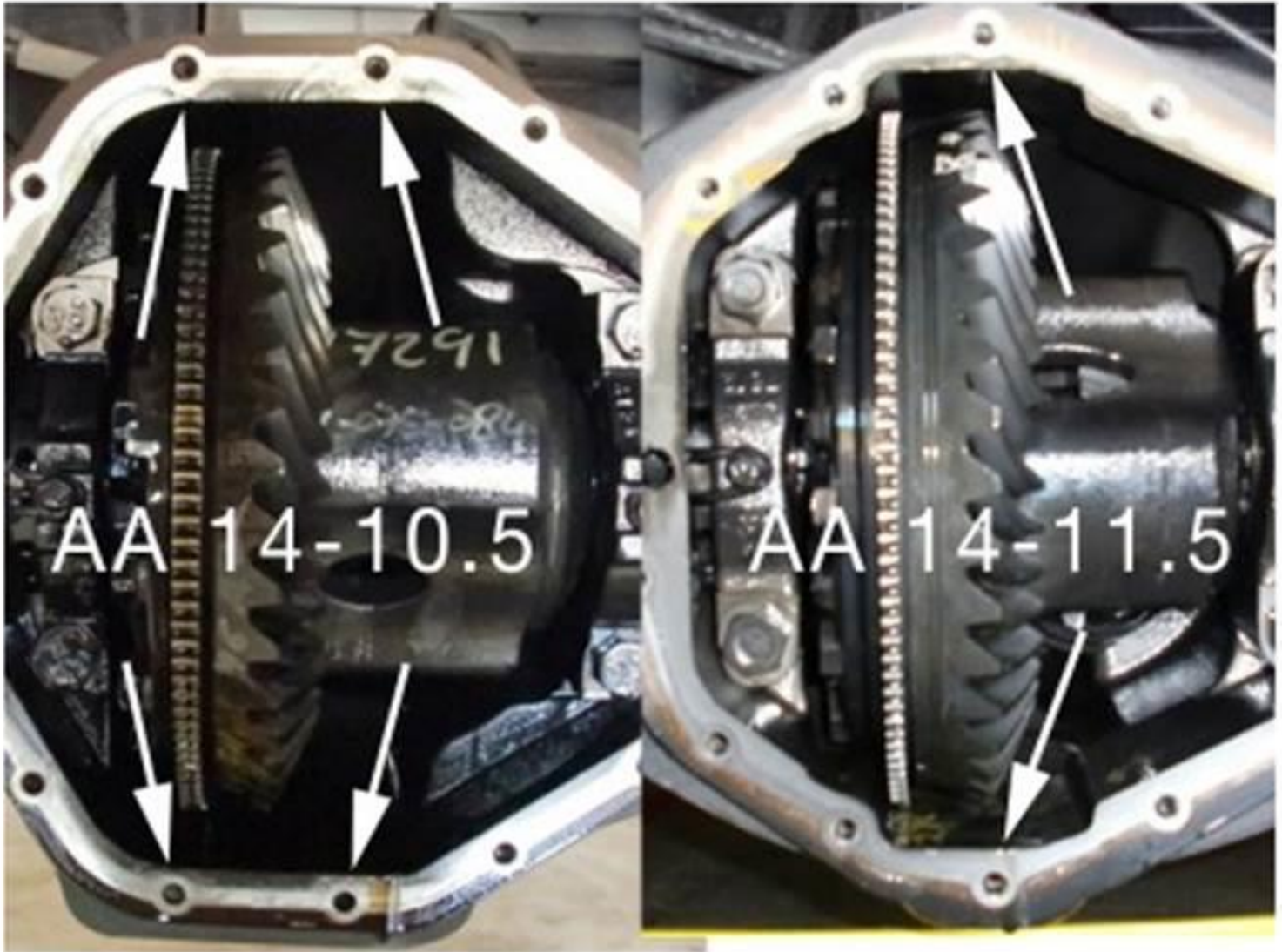
KIT CONTENTS:

Please check to make sure that you have all the parts listed in this kit *before* you start the disassembly of your truck.

1601825		1601831	
			
Differential cover		Oring Gasket	
QTY: 1		Qty: 1	
1601715	1601512	1601613	1401557
			
Bolt M8-1.25 X 30mm	Washer 5/16"	Drain Plug 3/4-16	Plug -10 ORB
Qty: 14	Qty: 14	Qty: 1	QTY: 1

Special Note

In 2003 Dodge released a Standard Output Diesel with an AAM 10.5" axle. The 1016825 **does not** fit this application.



BD Engine Brake Inc.

Plant Address: 33541 MacLure Rd. Abbotsford, BC, Canada V2S 7W2

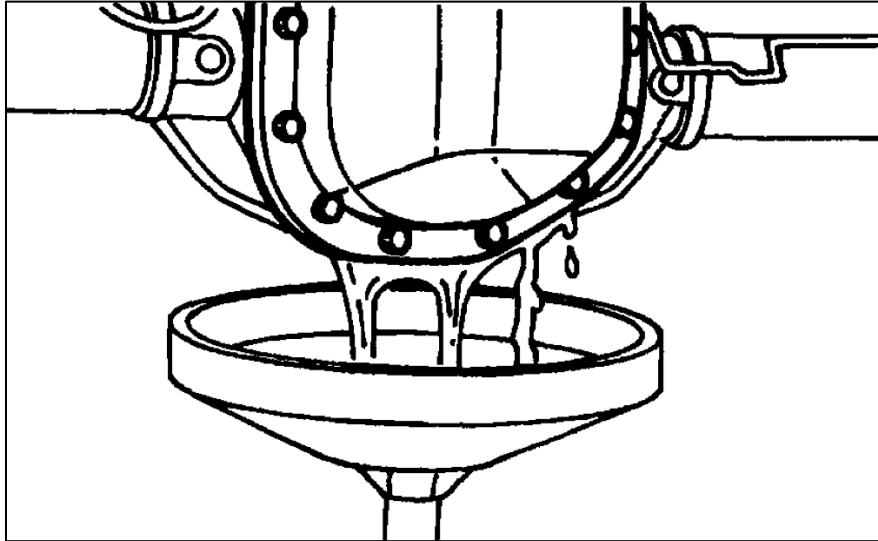
U.S. Shipping Address: 88-446 Harrison St, Sumas, WA 98295 U.S. Mailing Address: P.O. Box 231, Sumas, WA 98295

Phone: 604-853-6096 | Fax: 604-853-8749 | Internet: www.bd-power.com

Removal



Ensure the vehicle is secure on a hoist or using wheel chocks to prevent rolling and apply the parking brake. Do not install this cover on ground that is not level. Ensure differential fluid is cool before starting this removal/ installation procedure. Removal of the spare tire may provide better access.



1. Place a drain pan under the differential.
2. Using a 1/2" socket remove all bolts starting at the bottom. Do not remove the **top bolt**.
3. Loosen the top bolt half way, this will prevent the cover from falling once you pry the cover from the housing (ensure not to damage the housing when scraping off the silicone gasket from the differential housing).
4. Once the cover is free remove top bolt / cover and clean the gasket surface.

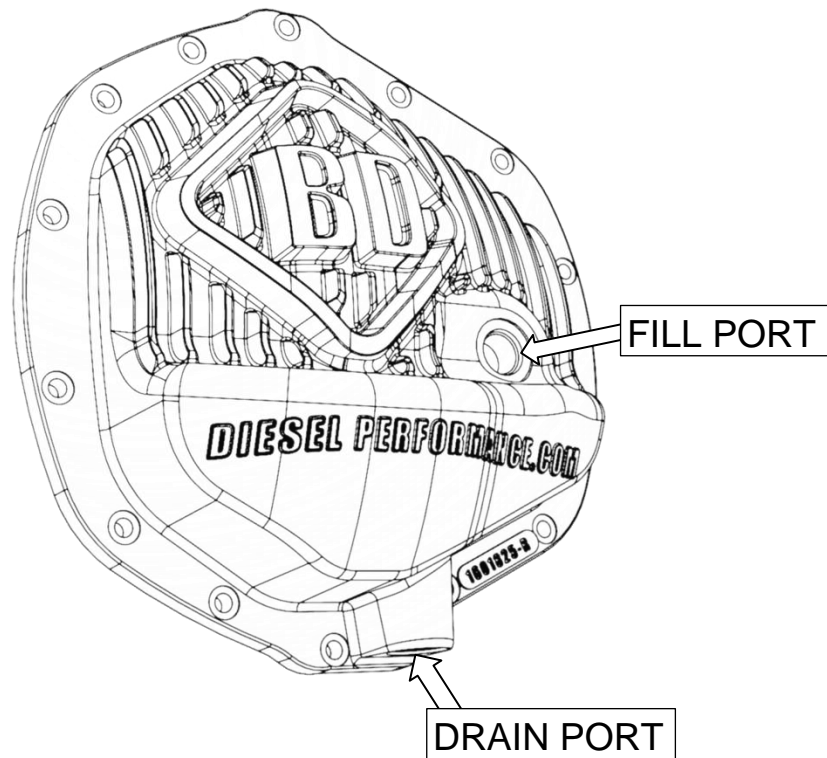
BD Engine Brake Inc.

Plant Address: 33541 MacLure Rd. Abbotsford, BC, Canada V2S 7W2

U.S. Shipping Address: 88-446 Harrison St, Sumas, WA 98295 U.S. Mailing Address: P.O. Box 231, Sumas, WA 98295

Phone: 604-853-6096 | Fax: 604-853-8749 | Internet: www.bd-power.com

Installation



1. Install the drain plug into the BD diff cover (8mm Allen wrench). Do not overtighten.
 2. Apply a thin layer of oil to the supplied oring gasket then install into the gasket groove on the BD diff cover, use care not to twist or roll the oring when placing into the groove to ensure a good seal.
 3. Check differential housing gasket surface for irregularities and remove high spots if required. Surface must be flat and clean.
 4. Using the supplied bolts and washers fasten the BD diff cover to the housing and tighten finger tight starting from the top (6mm Allen Wrench).
 5. Once all bolts are finger tight you can torque to 24ft/lbs in a crisscross pattern.
 6. Fill differential with manufacturer specified gear oil/ amount plus 0.7L (approx. fill amount 4.3L- 4.9L total) for the BD differential cover following manufactures filling procedures. Insert fill plug (1401557) do not overtighten (9mm Allen wrench).
- Some differentials may require special additives, please check your owner's manual before filling. Drive at least 50 kms (31 miles) then re-torque bolts to specification and ensure there are no leaks. Installation is complete.

Thank you for purchasing BD product If you have any technical difficulties, concerns, comments, or complaints, please phone our Technical Support hotline at(800) 887-5030 between 8:30am-5:00pm PST (Pacific Standard Time) Monday to Friday.

BD Engine Brake Inc.

Plant Address: 33541 MacLure Rd. Abbotsford, BC, Canada V2S 7W2

U.S. Shipping Address: 88-446 Harrison St, Sumas, WA 98295 U.S. Mailing Address: P.O. Box 231, Sumas, WA 98295

Phone: 604-853-6096 | Fax: 604-853-8749 | Internet: www.bd-power.com