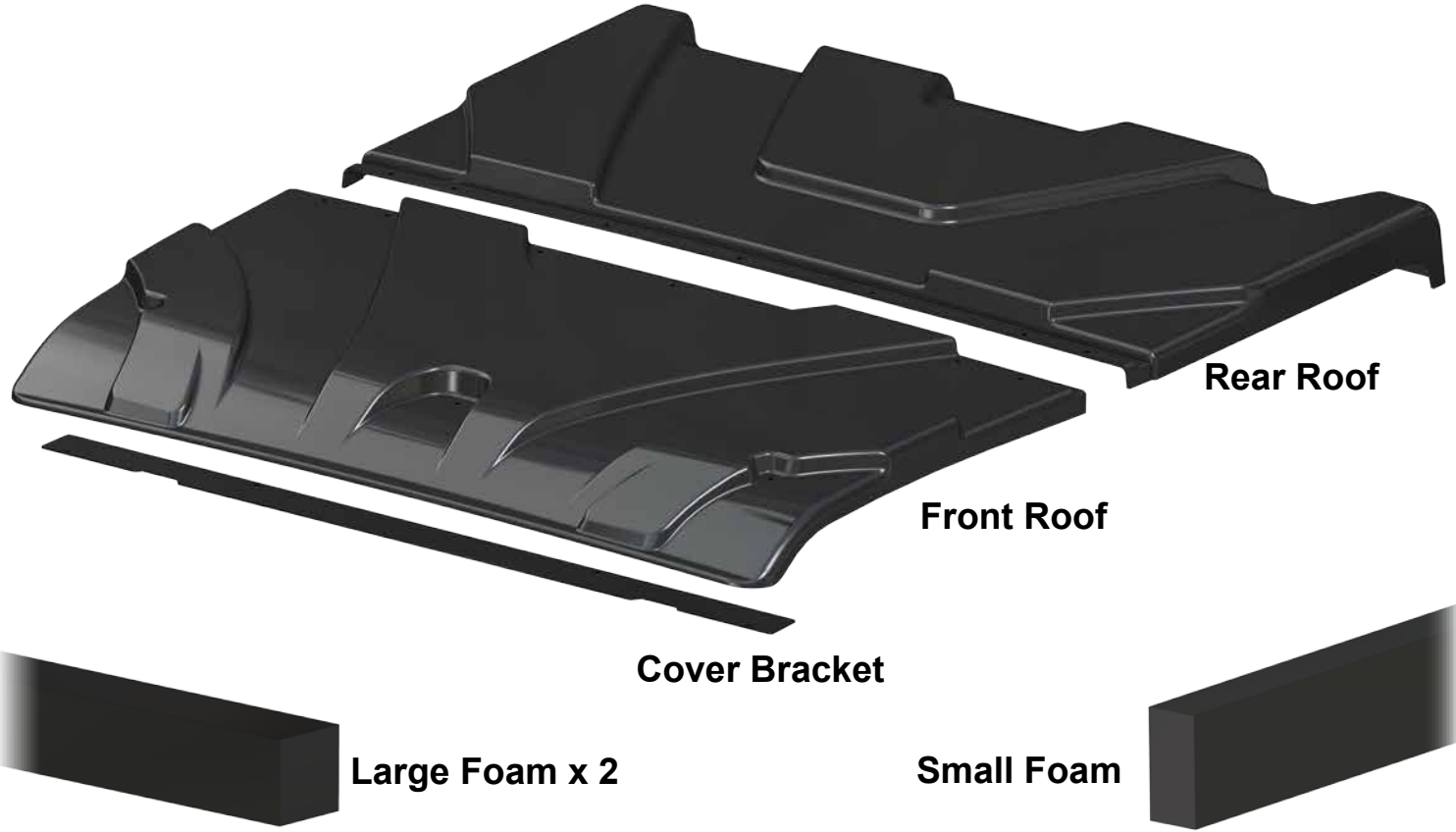


INSTALLATION INSTRUCTIONS
Roof: for Polaris Ranger Crew[®] XP 900



(Kit Contents continue on following pages)

Liability Statement
 SuperATV's[®] products are designed to best fit user's ATV/UTV under stock conditions. Adding, modifying, or fabricating any factory or aftermarket parts will void any warranty provided by SuperATV[®] and is not recommended. SuperATV's[®] products could interfere with other aftermarket accessories. If user has aftermarket products on machine, contact SuperATV[®] to verify that they will work together.

Although SuperATV[®] has thousands of satisfied customers, user should be aware that installing lift kits, long travel, or suspension kits, tires, etc. will change the ride of machine and may increase maintenance and part wear. Operating any off-road machine while, or after, consuming alcohol and/or drugs increases risk of bodily harm or death. No warranty or representation is made as to this product's ability to protect user from severe injury or death. SuperATV[®] urges operators and occupants to wear a helmet and appropriate riding gear at all times.

By purchasing and installing SuperATV[®] products, user agrees that should damages occur, SuperATV[®] will not be held responsible for loss of time, use, labor fees, replacement parts, or freight charges. SuperATV[®], nor any 3rd party, will not be held responsible for any direct, indirect, incidental, special, or consequential damages that result from any product purchased from SuperATV[®]. The total liability of seller to user for all damages, losses, and causes of action, if any, shall not exceed the total purchase price paid for the product that gave rise to the claim.

SuperATV[®] will warranty only parts provided by SuperATV[®]. Any damage or problems with OEM housings, bearings, seals, or other manufacturers' products will not be covered by SuperATV[®]. SuperATV[®] parts and products are not warranted if item was not installed properly, misused, or modified.

Installing, adding, modifying, or fabricating any factory or aftermarket product to your ATV/UTV may violate certain local, state, and federal laws. Be advised that laws vary depending on town, city, county, state, etc. Use of certain products on public streets, roads, or highways may be in violation law. The Buyer is solely and exclusively legally and personally responsible for any violation of the law by the installation or use of the product. You must abide by all local, state, and federal laws, including but not limited to vehicle safety, traffic laws, and ordinances. It is your responsibility to know the laws and how they apply to you.

The Buyer is responsible to fully understand the capability and limitations of his/her vehicle according to manufacturer specifications, warnings and instructions and agrees to hold SuperATV[®] harmless from any damage resulting from failure to adhere to such specifications, warnings and/ or instructions. The Buyer is also responsible to obey all applicable federal, state, and local laws and ordinances when operating his/her vehicle while using this product, and the Buyer agrees to hold SuperATV[®] harmless from any violation thereof.

Need help with your installation?


✉ sales@superatv.com 💻 www.superatv.com

☎ 1-855-743-3427 🕒 8:00am - 9:00pm EST M-Th
 8:00am - 7:00pm EST Friday
 9:00am - 2:00pm EST Saturday


Read instructions and view illustrations before beginning.

Thank You
For Choosing
SUPERATV.COM[®]

(Kit Contents continued)

2x  M5-.80 x 20mm Lg. BHCS

2x  M5 Flat Washer


2x  M6-1.0 x 20mm Lg. BHCS

5x  M6 Flat Washer

8x  M6-1.0 x 25mm Lg. BHCS

12x  M6 Sealing Washer

7x  M6-1.0 x 30mm Lg. BHCS

2x  M5-.80 Nylock Nut



Rubber must face Roof when installing M6 Sealing Washer

17x  M6-1.0 Nylock Nut



3x - Clamp



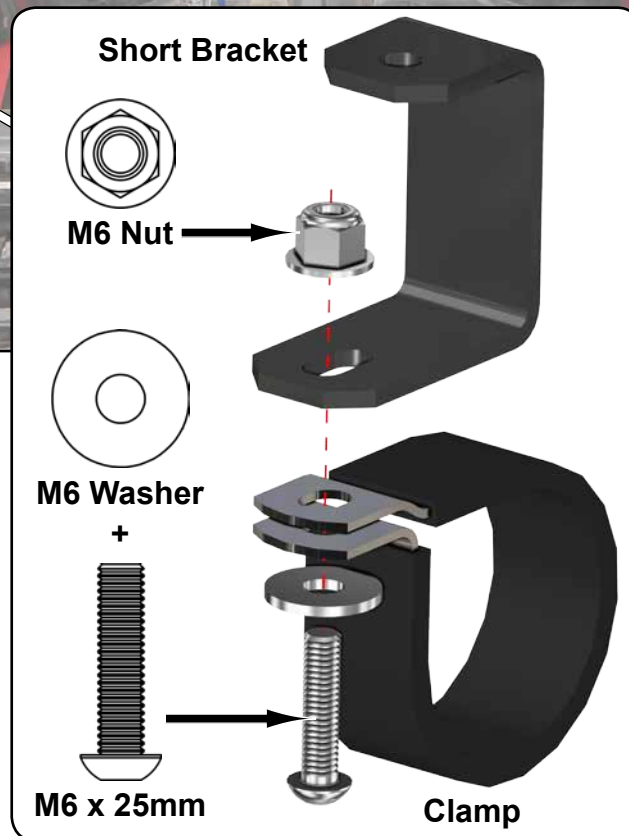
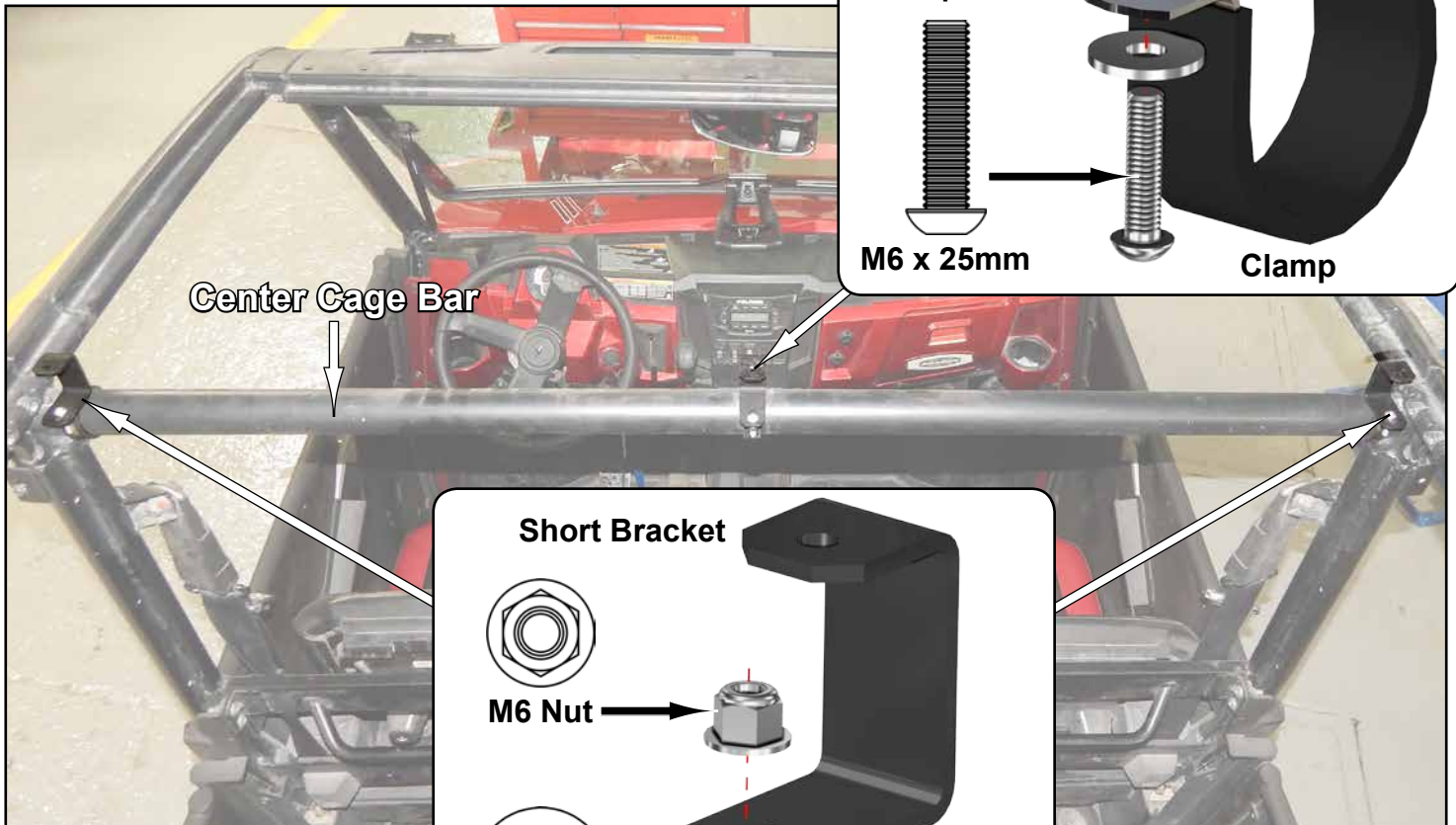
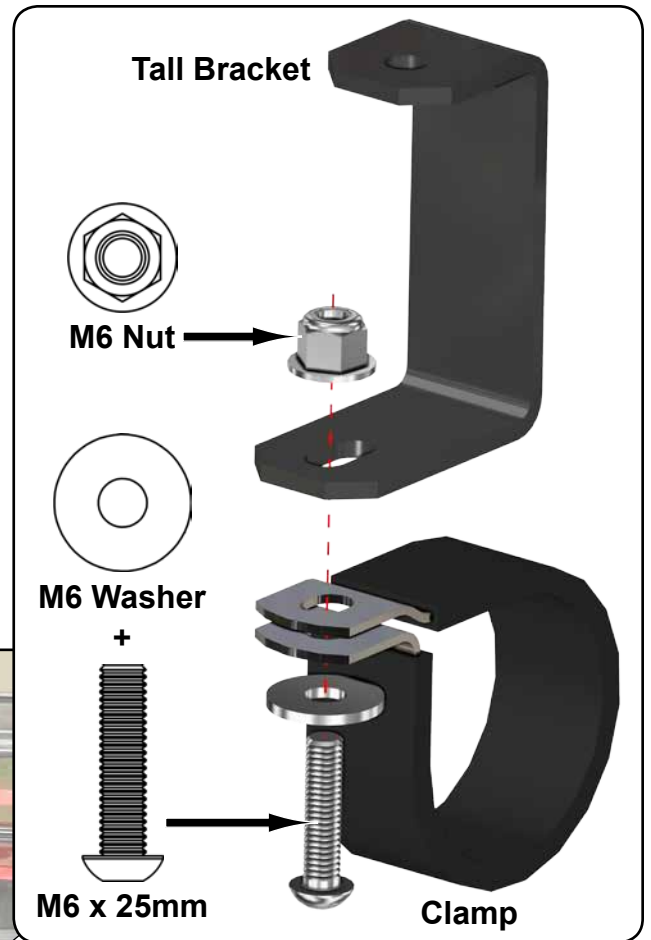
2x - Short Bracket



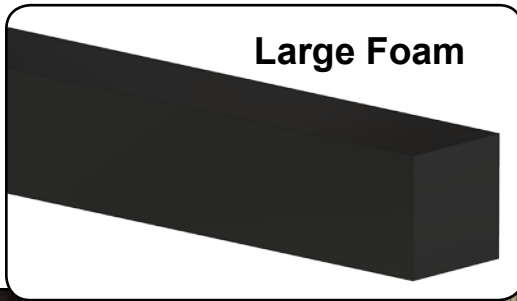
1x - Tall Bracket

When installing components, do not tighten any hardware completely unless noted.

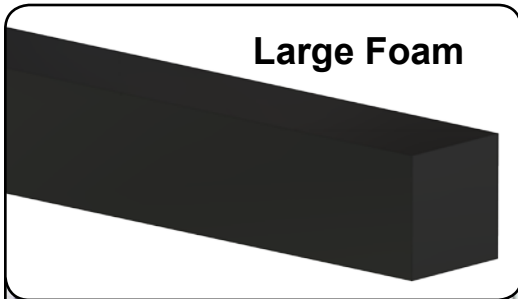
- Wrap Clamps around Center Cage Bar.
- Install Brackets to Clamps with hardware shown.



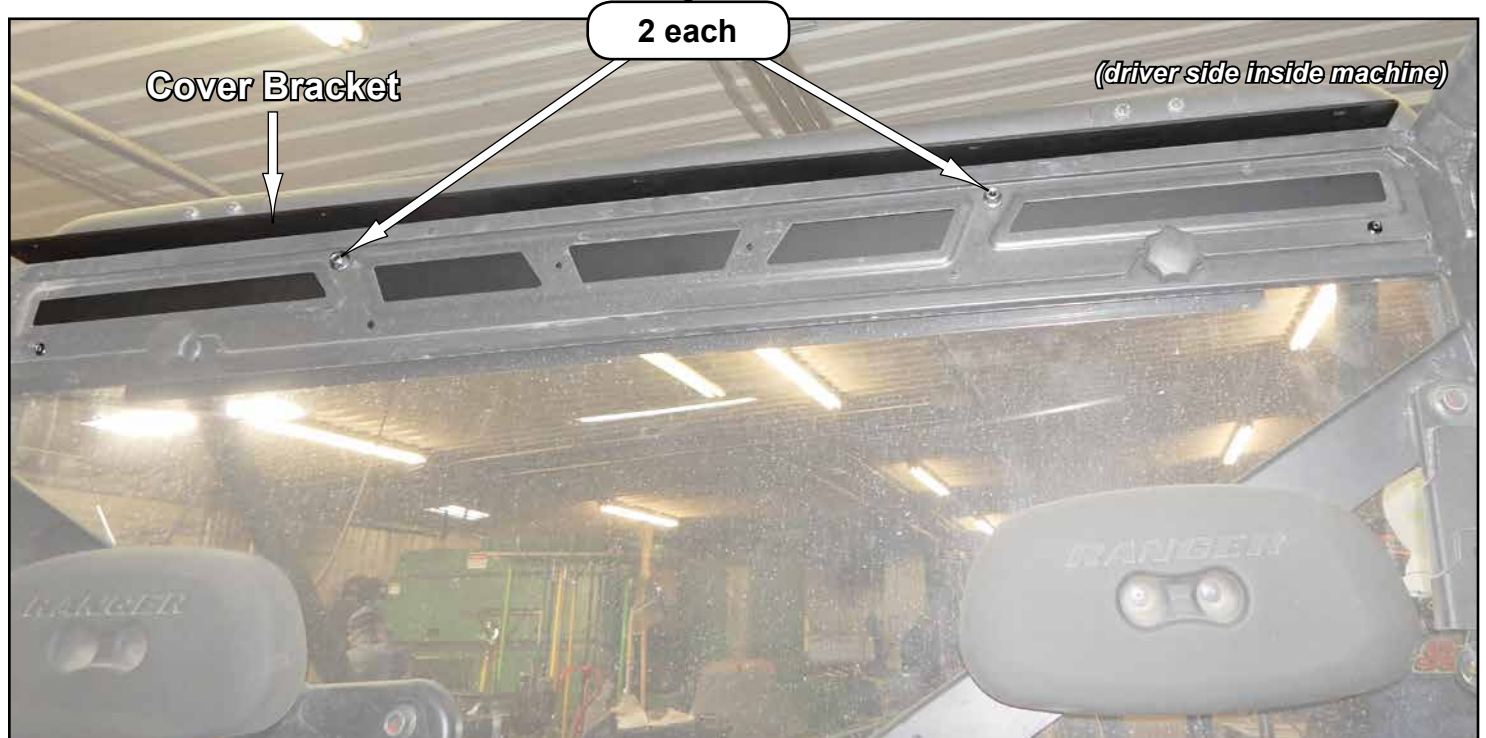
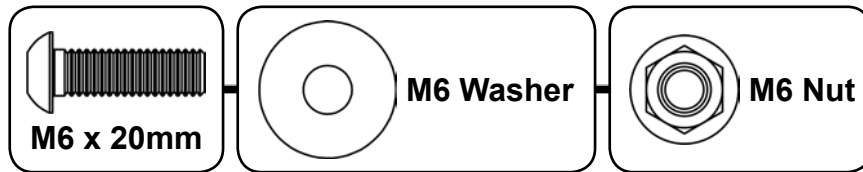
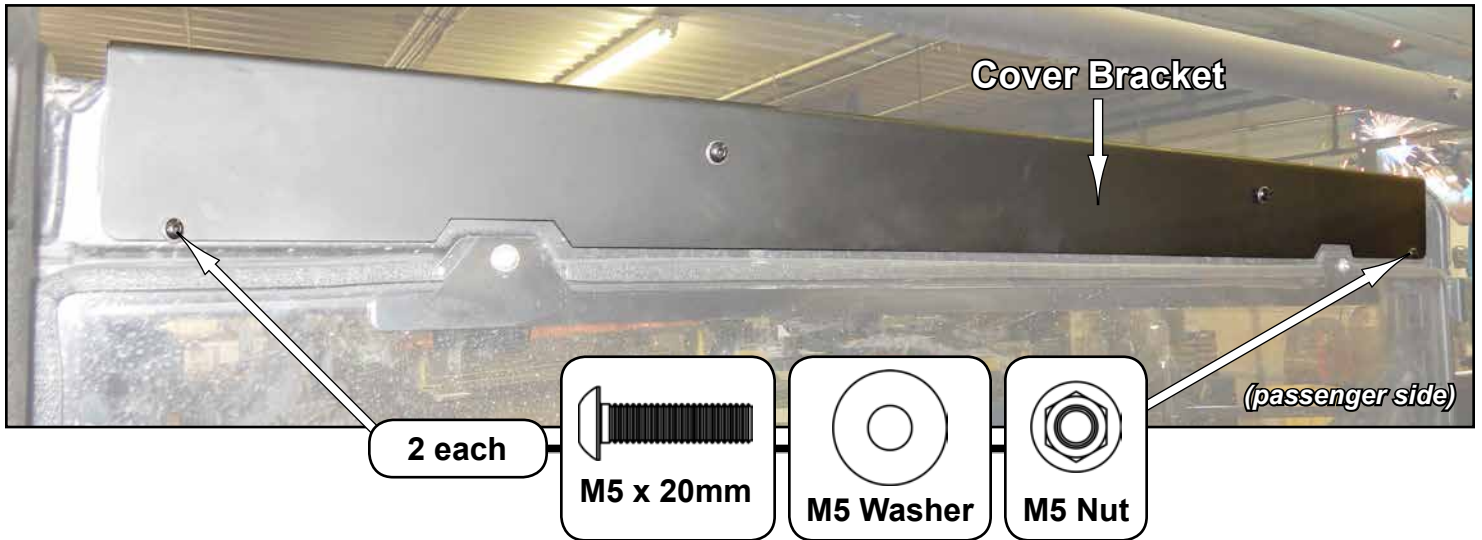
- Install (1) piece of Large Foam across front of Cage.



- Install (1) piece of Large Foam across Rear of Cage.



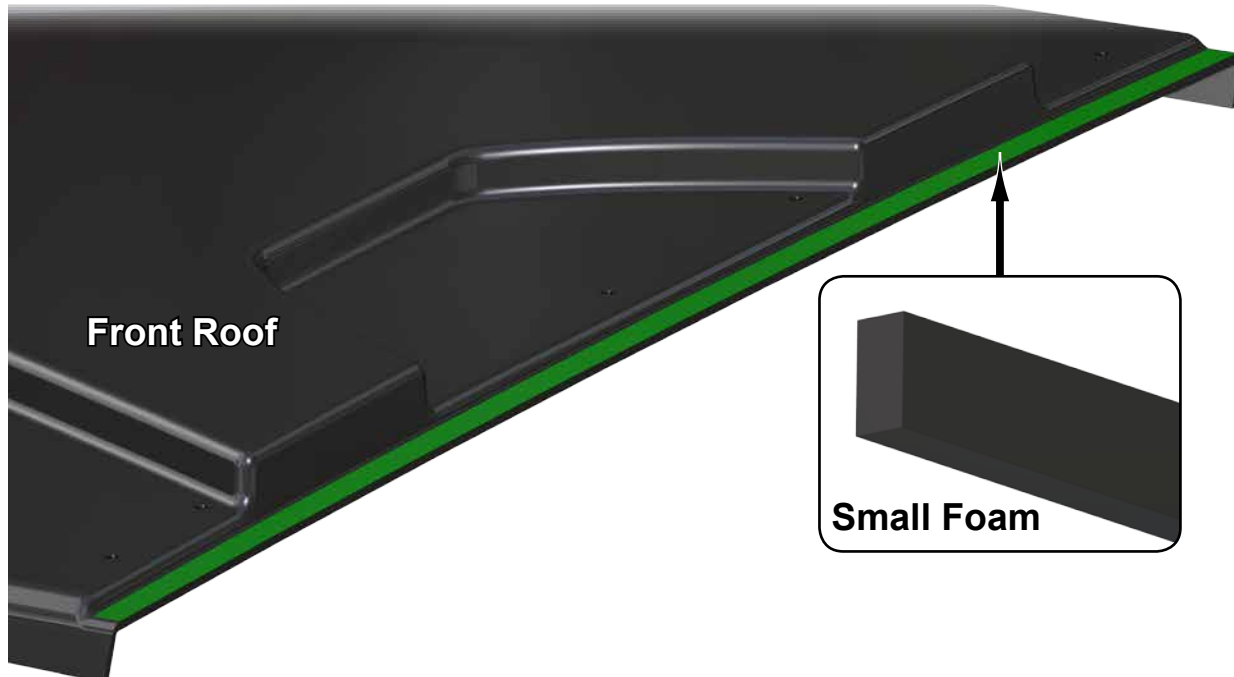
- Install Cover Bracket to Frame with hardware shown.



- Place Rear Roof onto machine and secure with hardware shown.



- Install (1) piece of Small Foam to highlighted area shown on Front Roof.



- Secure Front Roof to Frame with hardware shown.



- Secure Front Roof and Rear Roof to Brackets and each other with hardware shown.
- Align to machine and tighten all hardware completely.

