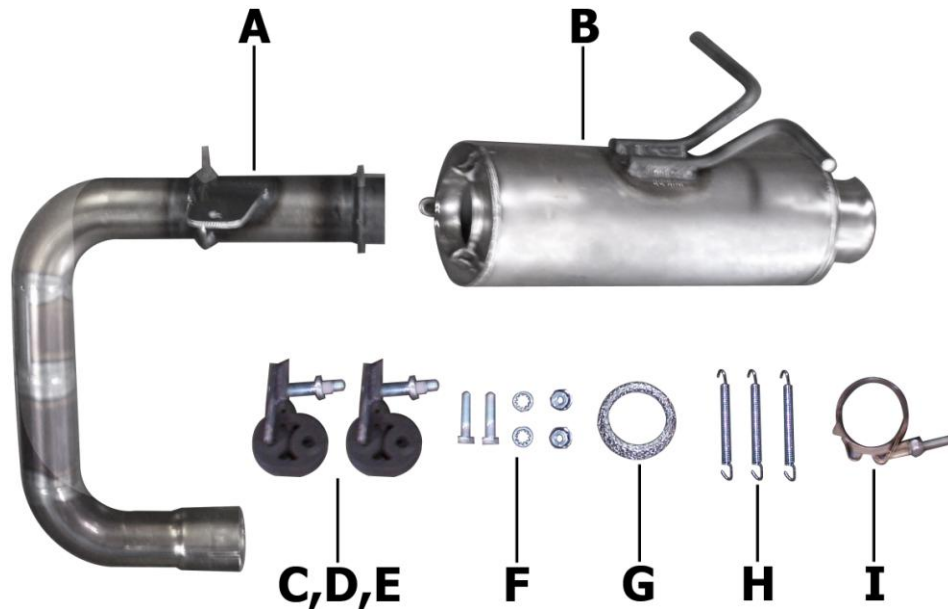




Installation Instructions

Stainless Mid-Pipe and Muffler Assembly
Yamaha Rhino 660

Part #96008



ITEM	PART	QUANTITY	DESCRIPTION
A	RH-7	1	Stainless Mid-pipe
B	RH-8	1	Stainless Gibson Muffler
C	RH028	2	Rubber Grommet
D	RH015	2	Hanger
E	BO-1067	1	Bolt Kit for Hangers
F	BO-1068	1	Bolt Kit for Mid-Pipe
G	RH011	1	Donut Gasket
H	RH017	3	Springs
I	RH030	1	Stainless Band Clamp

Thank you for purchasing our Gibson Exhaust System for your vehicle.
If you need further assistance, please do not hesitate to call our technical department at
(800) 528 -3044 Monday through Friday, 8am to 5 pm.

Installation Instructions #96008

When installing this exhaust system make sure to use proper safety precautions. Make sure to set parking brake, block tires and use safety glasses and gloves. Allow exhaust to cool before attempting installation. Severe injury or burns could occur if safety measures are not taken.

SUGGESTED TOOLS: 7/16", 9/16", 10mm, 12mm wrenches & sockets, WD-40

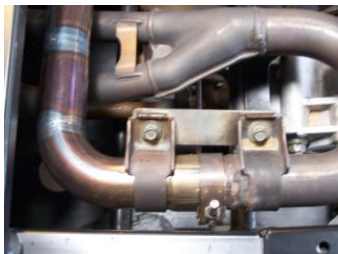
1. Lift and remove bed to access stock exhaust. Remove stock heat shield.



2. Remove stock band clamp off of factory muffler pipe. Now remove stock muffler assembly leaving the stock header attached.



6. After the holes are drilled, install the supplied hangers and grommets using the hardware supplied.



3. Now install Gibson mid-pipe onto stock header using supplied 1 3/4" band clamp. Then install stock band onto Gibson mid-pipe for extra support.



7. Now install the Gibson muffler and slide hanger rods into grommets. Then install the 3 supplied exhaust springs from the muffler to the mid-pipe.



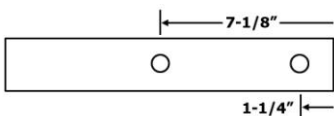
4. Now reuse stock rubber grommet to mount the Gibson mid-pipe to the frame using the supplied bolts. Place donut gasket on the end of the mid-pipe.



8. After everything is installed make sure hangers and band clamps are all tight.



5. Now in the rear frame of your Rhino, you need to drill 2 3/8" holes. The first hole should be 1 1/4" and the second should be 7 1/8" from the right side of the frame inside of the bed mount bracket



GIBSON EXHAUST systems are designed on a factory stock vehicle. Any aftermarket products installed could increase the sound levels of the exhaust. **Make sure there is a 1" clearance from ALL rubber brake lines, shock boots, lines, tires, etc. to prevent heat related damage or fire.**