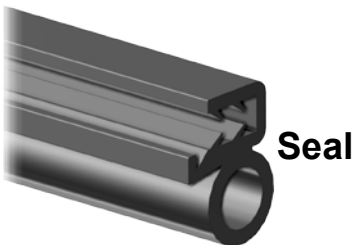
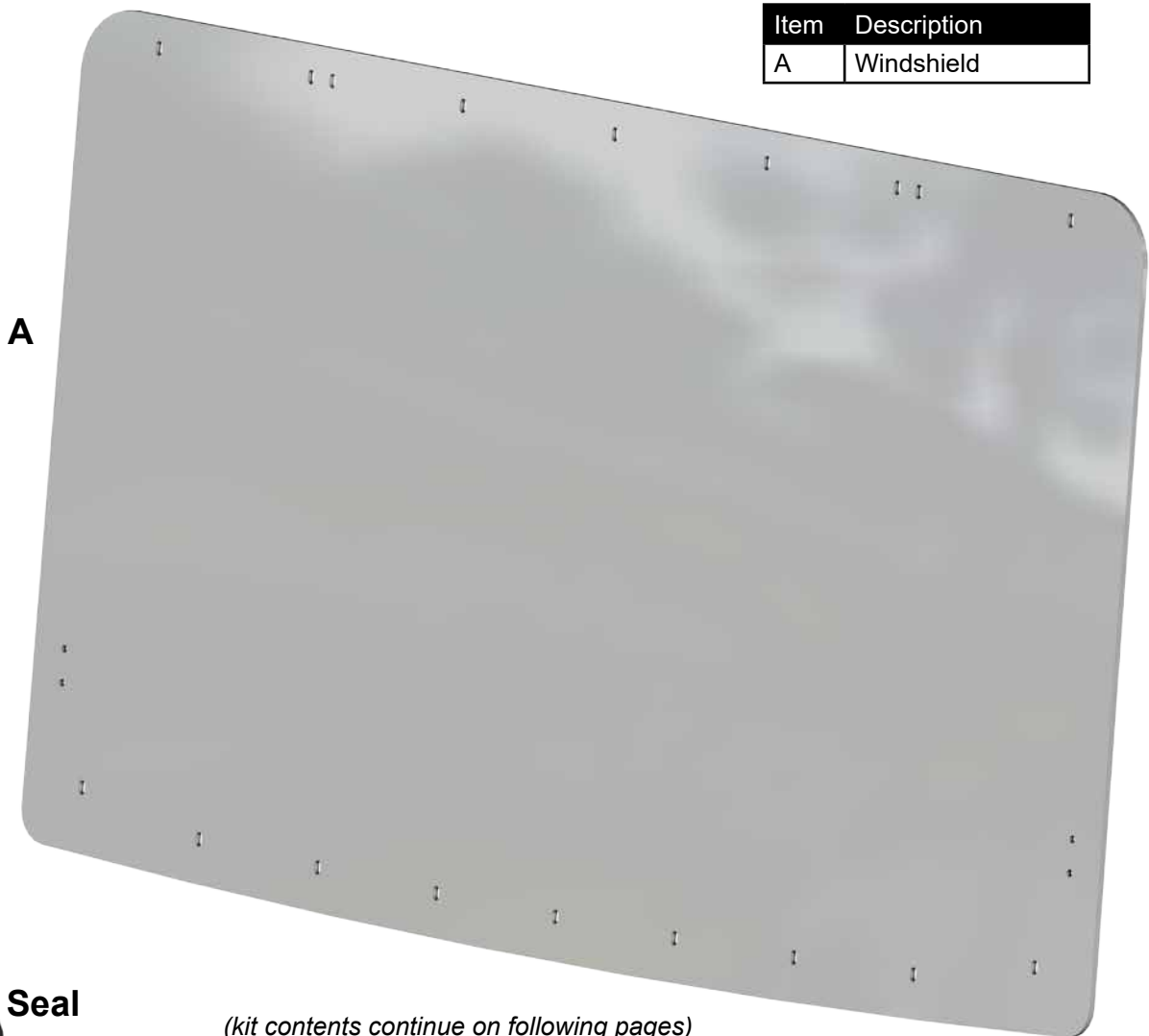


Item	Description
A	Windshield



(kit contents continue on following pages)

Roof, if equipped, must be removed when installing Windshield.

Windshield Cleaning:

- Do not use window cleaning fluids (Windex, 409, etc) or any solvents (gasoline, denatured alcohol, acetone, etc).
 - Never use abrasive cleaners, abrasive pads, or gritty cloths.
 - Do not use a windshield wiper blade or install a motorized windshield wiper
 - Never use razor blades, scrapers, squeegees, brushes, etc.
1. Thoroughly rinse Windshield to float off dirt and mud.
 2. Using a soft cloth, or microfiber cloth, clean Windshield with warm water and a gentle detergent. Baby shampoo or hand washing soap are recommended.
 3. To prevent water spots, use a chamois to blot Windshield dry.

Need help with your installation?

 sales@superatv.com
 www.superatv.com

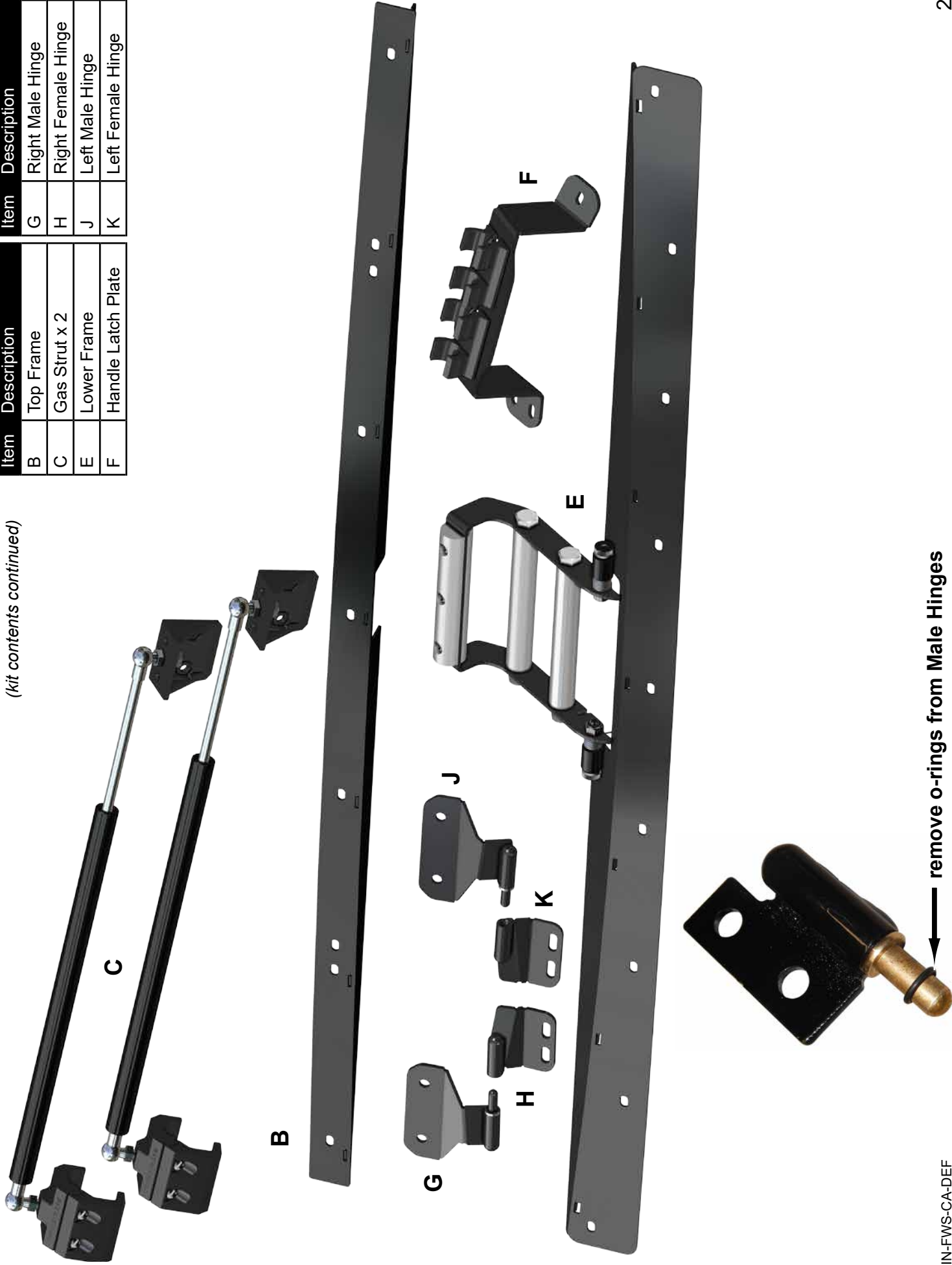
 1-855-743-3427
  8:00am - 9:00pm EST M-Th
 8:00am - 7:00pm EST Friday
 9:00am - 2:00pm EST Saturday

Read instructions and view illustrations before beginning.

*Thank You
 For Choosing*
SUPERATV.COM[®]


(kit contents continued)

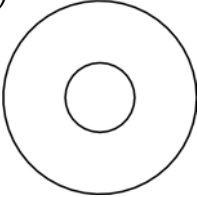
Item	Description	Item	Description
B	Top Frame	G	Right Male Hinge
C	Gas Strut x 2	H	Right Female Hinge
E	Lower Frame	J	Left Male Hinge
F	Handle Latch Plate	K	Left Female Hinge



→ remove o-rings from Male Hinges

(kit contents continued)

18x  M6-1.0 x 20mm Lg. BHCS


4x  M8 Flat Washer

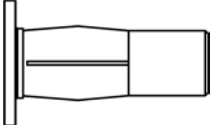
4x  M6-1.0 x 25mm Lg. BHCS

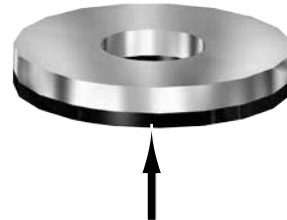
4x  M6 Flat Washer

3x  M6-1.0 x 30mm Lg. FHCS

18x  M6 Sealing Washer


4x  M8-1.25 x 20mm Lg. BHCS

3x  M6 Rivet Nut



Rubber must face plastic when installing M6 Sealing Washer

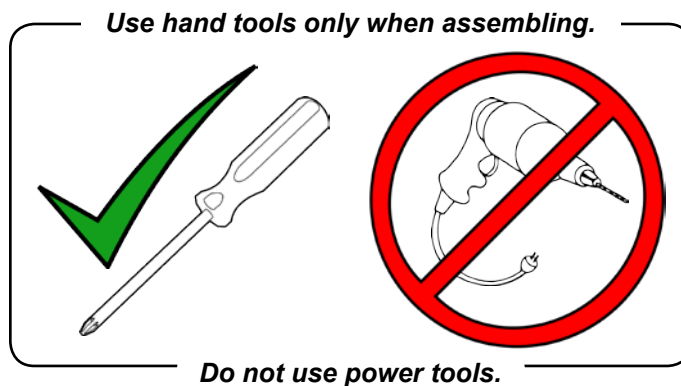
18x  M6-1.0 Nylock Nut

4x  M8-1.25 Nylock Nut

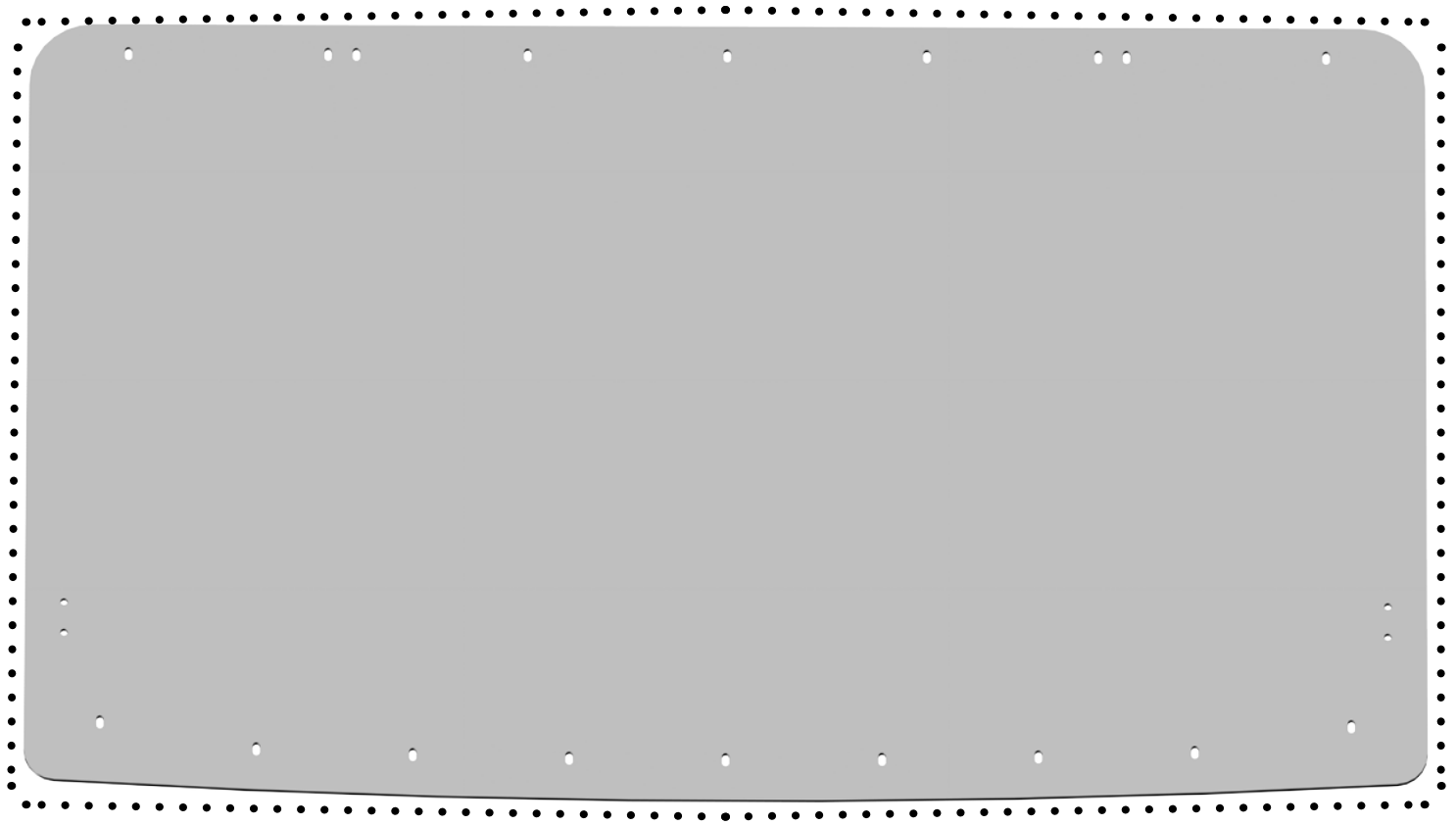
4x  M6-1.0 Jam Nut

Disregard any remaining hardware

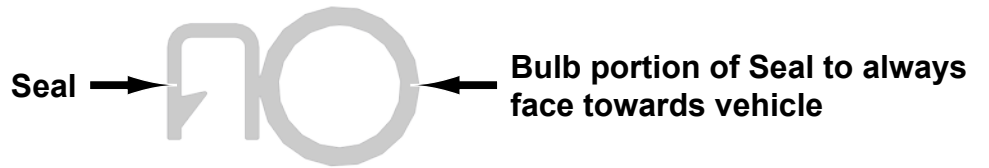
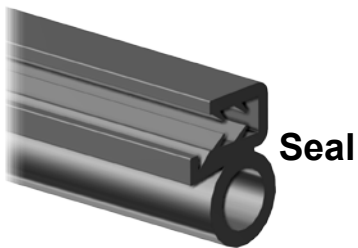
When assembling, **do not tighten hardware completely unless noted.**



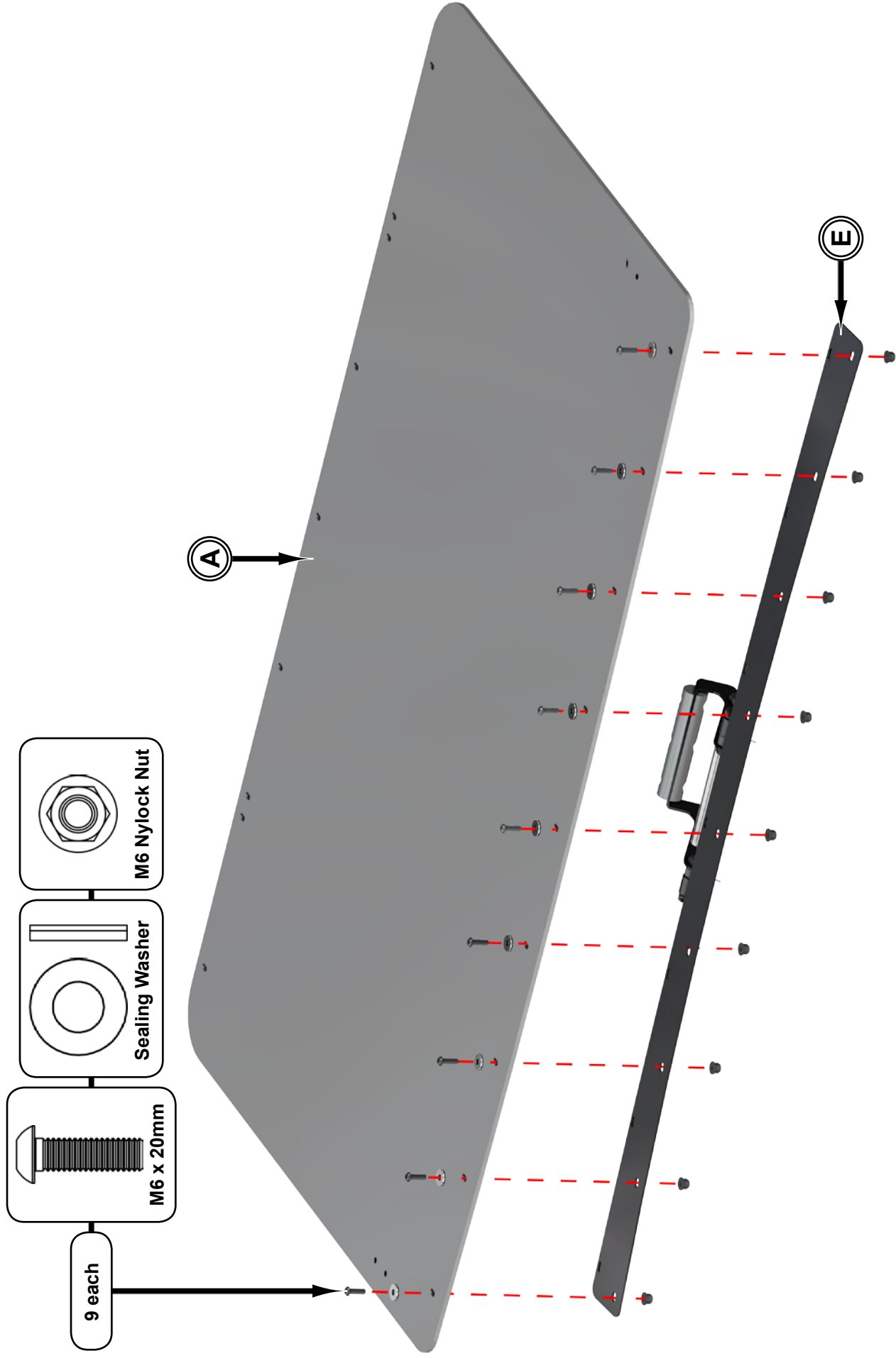
- Install Seal around outer edge of Windshield (A).



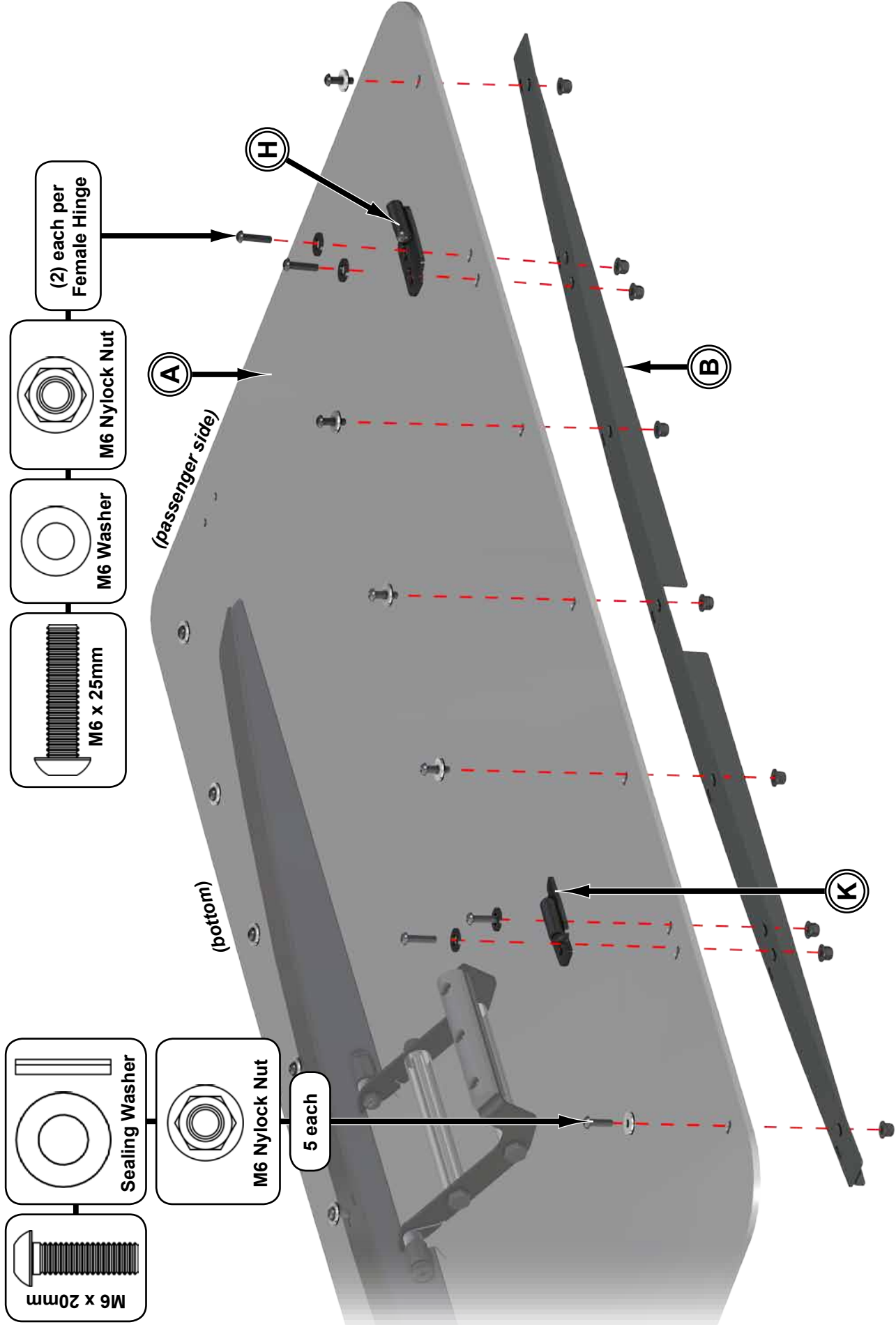
Soak Seal in hot water before cutting or installing to increase flexibility.



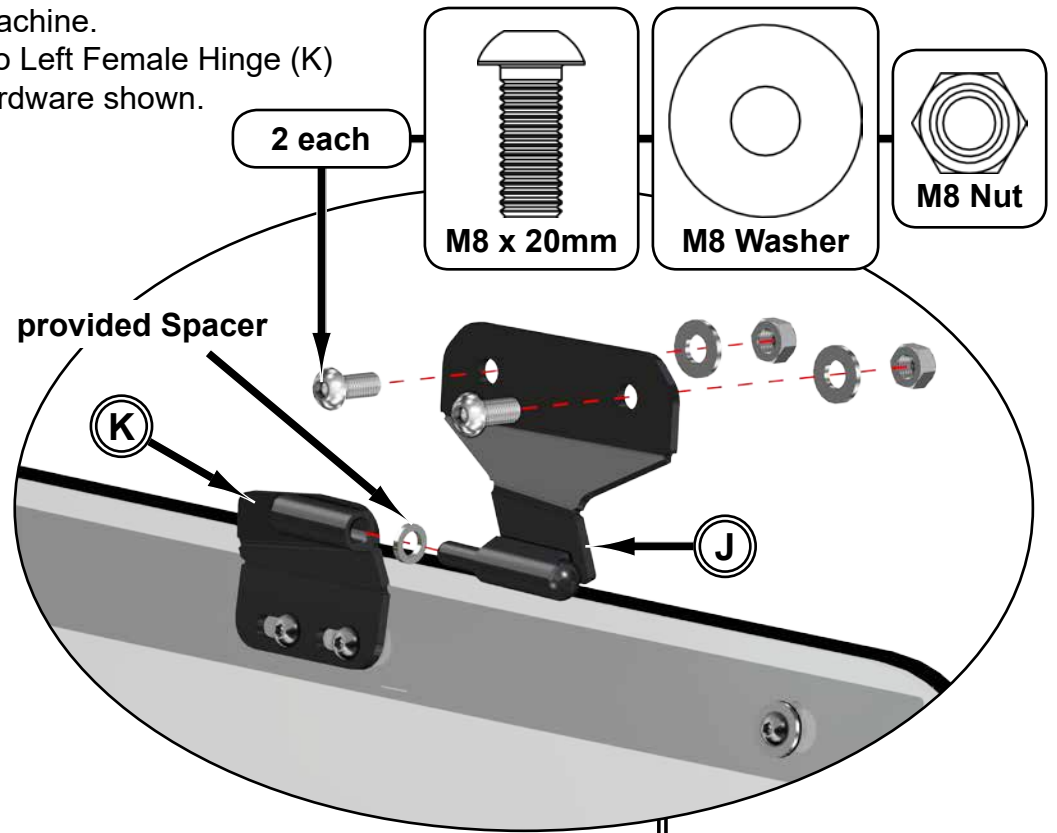
- Install Lower Frame (E) to Windshield (A) with hardware shown.



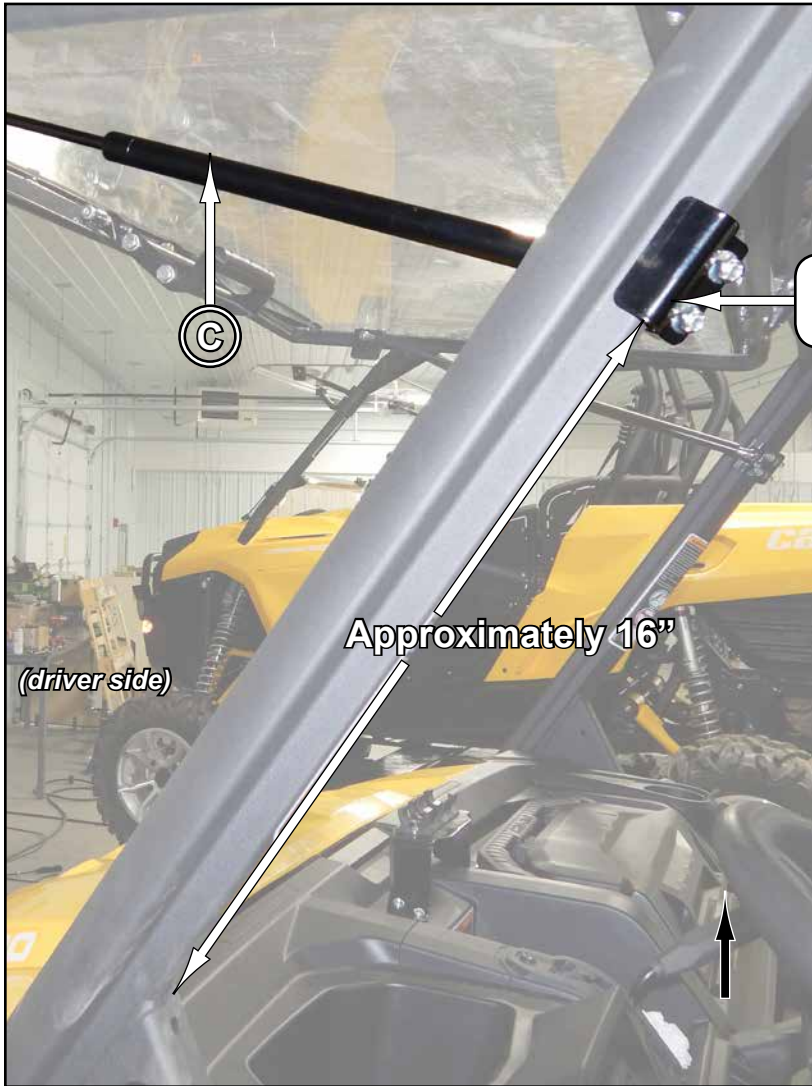
- Install Top Frame (B) to Windshield (A) with hardware shown.
- Install Right/Left Female Hinges (H-K) to Windshield (A) and Top Frame (B) with hardware shown.



- Place Windshield (A) onto machine.
- Insert Left Male Hinge (J) into Left Female Hinge (K) and secure to Frame with hardware shown.
- Repeat for opposite Hinge.



- Center Windshield (A) side-to-side on machine and tighten hardware completely.

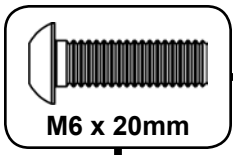


Place around Frame at distance shown and slightly tighten hardware.

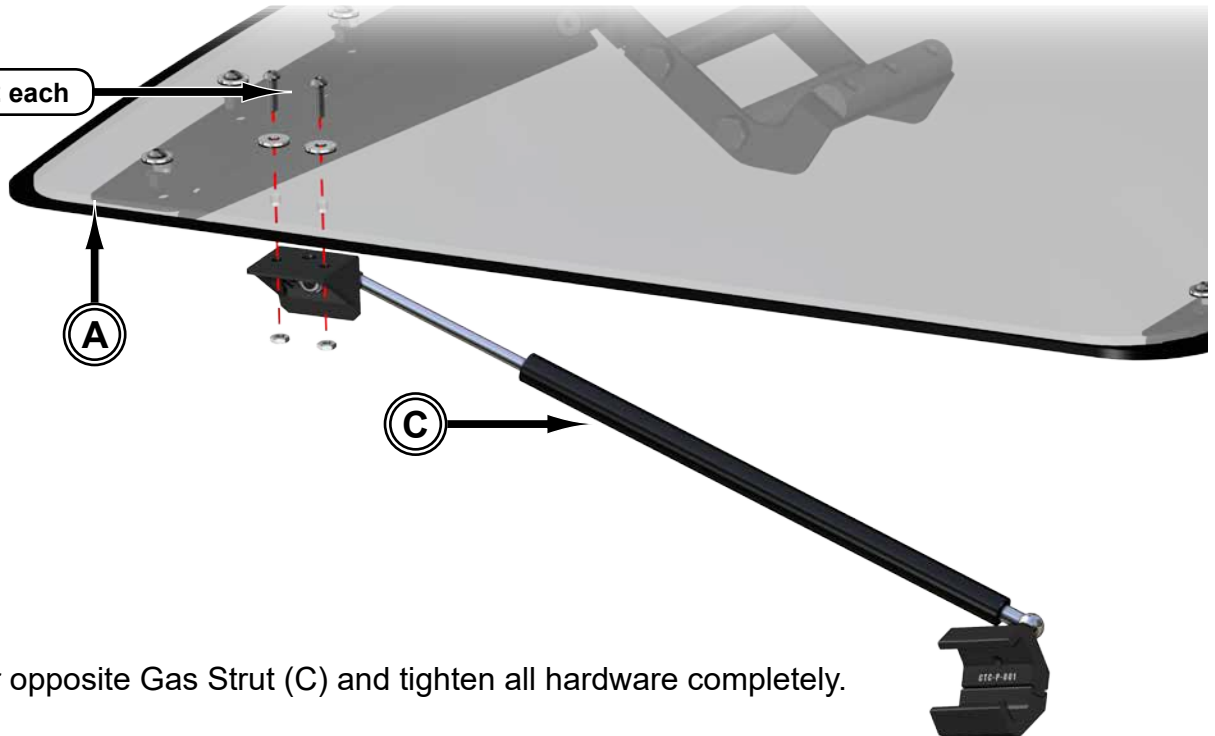
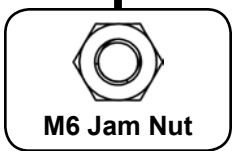
(driver side)

Approximately 16"

- Secure to Windshield (A) with hardware shown.

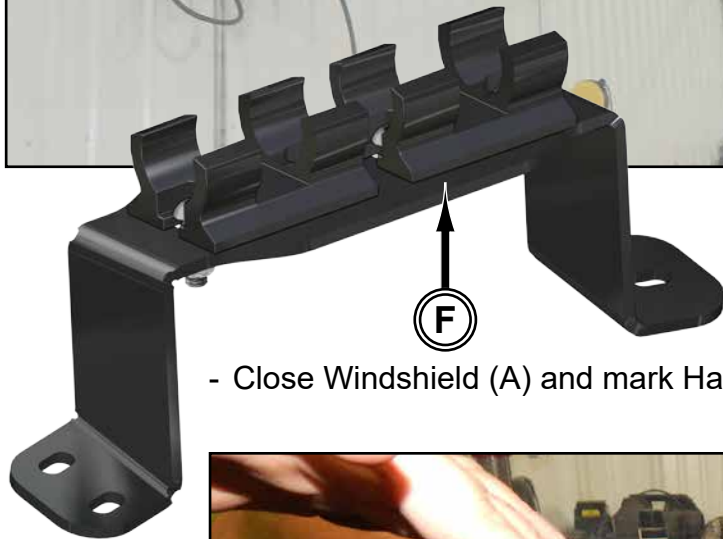


2 each



Repeat steps for opposite Gas Strut (C) and tighten all hardware completely.

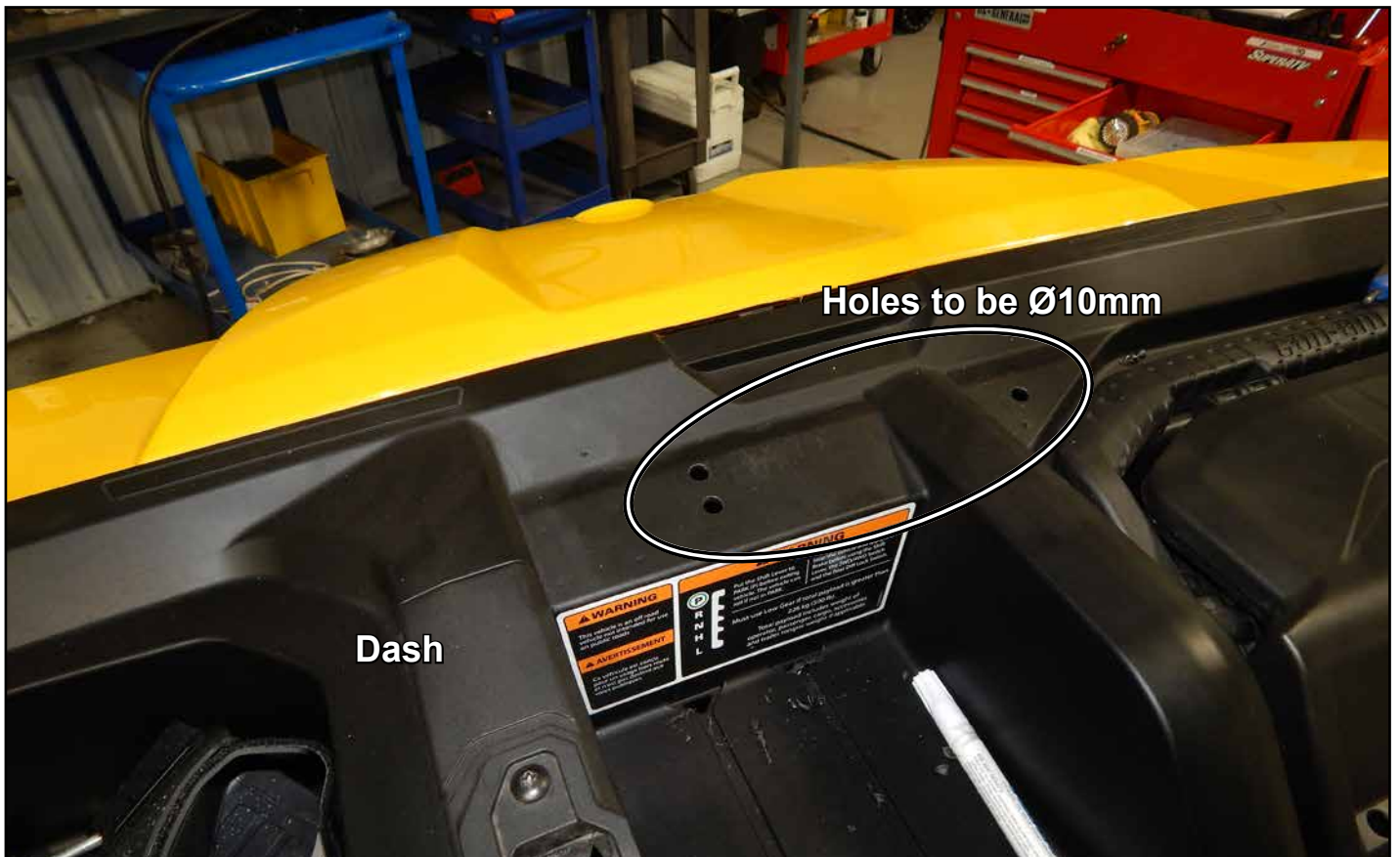
Handle Latch Plate (F) installation



- Close Windshield (A) and mark Handle Latch Plate (F) hole locations onto Dash.



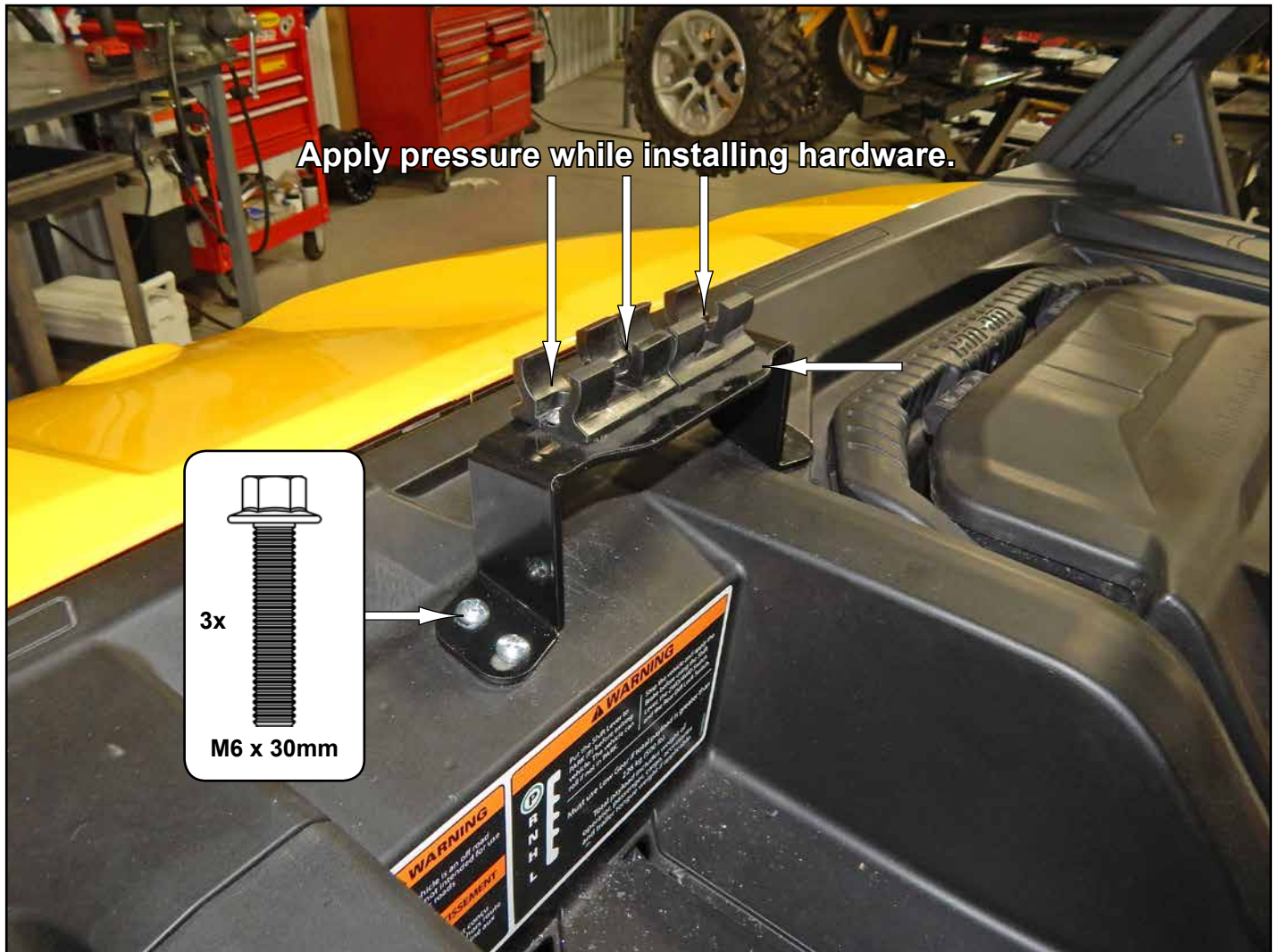
- Drill so that holes are $\varnothing 10\text{mm}$.



- Insert Rivet Nuts into holes.



- Install Handle Latch Plate (F) to Dash with hardware shown.



Liability Statement

SuperATV's® products are designed to best fit user's ATV/UTV under stock conditions. Adding, modifying, or fabricating any factory or aftermarket parts will void any warranty provided by SuperATV® and is not recommended. SuperATV's® products could interfere with other aftermarket accessories. If user has aftermarket products on machine, contact SuperATV® to verify that they will work together.

Although SuperATV® has thousands of satisfied customers, user should be aware that installing lift kits, long travel, or suspension kits, tires, etc. will change the ride of machine and may increase maintenance and part wear. Operating any off-road machine while, or after, consuming alcohol and/or drugs increases risk of bodily harm or death. No warranty or representation is made as to this product's ability to protect user from severe injury or death. SuperATV® urges operators and occupants to wear a helmet and appropriate riding gear at all times.

By purchasing and installing SuperATV® products, user agrees that should damages occur, SuperATV® will not be held responsible for loss of time, use, labor fees, replacement parts, or freight charges. SuperATV®, nor any 3rd party, will not be held responsible for any direct, indirect, incidental, special, or consequential damages that result from any product purchased from SuperATV®. The total liability of seller to user for all damages, losses, and causes of action, if any, shall not exceed the total purchase price paid for the product that gave rise to the claim.

SuperATV® will warranty only parts provided by SuperATV®. Any damage or problems with OEM housings, bearings, seals, or other manufacturers' products will not be covered by SuperATV®. SuperATV® parts and products are not warranted if item was not installed properly, misused, or modified.

Installing, adding, modifying, or fabricating any factory or aftermarket product to your ATV/UTV may violate certain local, state, and federal laws. Be advised that laws vary depending on town, city, county, state, etc. Use of certain products on public streets, roads, or highways may be in violation law. The Buyer is solely and exclusively legally and personally responsible for any violation of the law by the installation or use of the product. You must abide by all local, state, and federal laws, including but not limited to vehicle safety, traffic laws, and ordinances. It is your responsibility to know the laws and how they apply to you.

The Buyer is responsible to fully understand the capability and limitations of his/her vehicle according to manufacturer specifications, warnings and instructions and agrees to hold SuperATV® harmless from any damage resulting from failure to adhere to such specifications, warnings and/or instructions. The Buyer is also responsible to obey all applicable federal, state, and local laws and ordinances when operating his/her vehicle while using this product, and the Buyer agrees to hold SuperATV® harmless from any violation thereof.