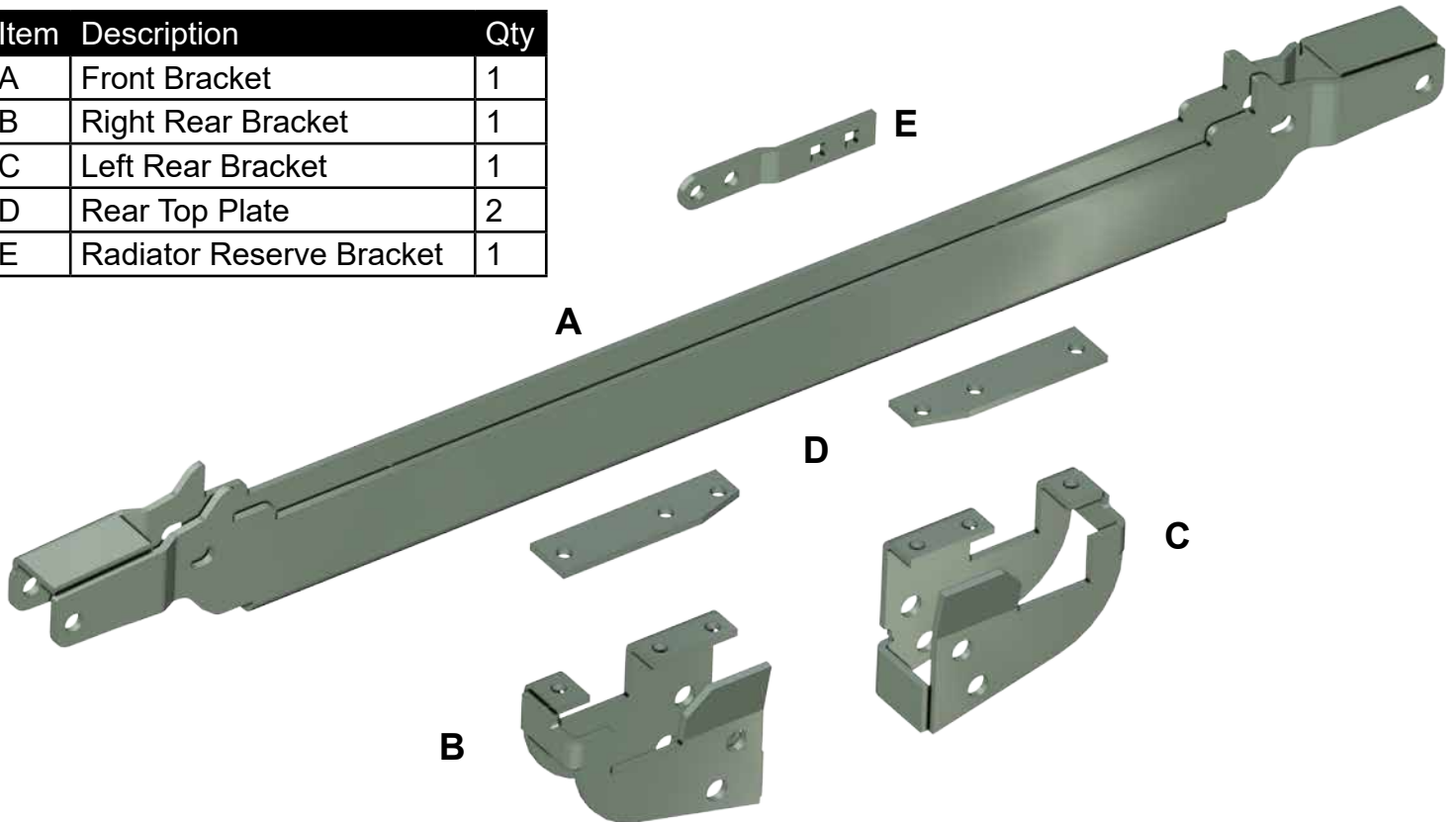


Lift Kit: for Honda Pioneer

Item	Description	Qty
A	Front Bracket	1
B	Right Rear Bracket	1
C	Left Rear Bracket	1
D	Rear Top Plate	2
E	Radiator Reserve Bracket	1



(kit contents continue on following pages)

Liability Statement

SuperATV's® products are designed to best fit user's ATV/UTV under stock conditions. Adding, modifying, or fabricating any factory or aftermarket parts will void any warranty provided by SuperATV® and is not recommended. SuperATV's® products could interfere with other aftermarket accessories. If user has aftermarket products on machine, contact SuperATV® to verify that they will work together.

Although SuperATV® has thousands of satisfied customers, user should be aware that installing lift kits, long travel, or suspension kits, tires, etc. will change the ride of machine and may increase maintenance and part wear. Operating any off-road machine while, or after, consuming alcohol and/or drugs increases risk of bodily harm or death. No warranty or representation is made as to this product's ability to protect user from severe injury or death. SuperATV® urges operators and occupants to wear a helmet and appropriate riding gear at all times.

By purchasing and installing SuperATV® products, user agrees that should damages occur, SuperATV® will not be held responsible for loss of time, use, labor fees, replacement parts, or freight charges. SuperATV®, nor any 3rd party, will not be held responsible for any direct, indirect, incidental, special, or consequential damages that result from any product purchased from SuperATV®. The total liability of seller to user for all damages, losses, and causes of action, if any, shall not exceed the total purchase price paid for the product that gave rise to the claim.

SuperATV® will warranty only parts provided by SuperATV®. Any damage or problems with OEM housings, bearings, seals, or other manufacturers' products will not be covered by SuperATV®. SuperATV® parts and products are not warranted if item was not installed properly, misused, or modified.

Installing, adding, modifying, or fabricating any factory or aftermarket product to your ATV/UTV may violate certain local, state, and federal laws. Be advised that laws vary depending on town, city, county, state, etc. Use of certain products on public streets, roads, or highways may be in violation law. The Buyer is solely and exclusively legally and personally responsible for any violation of the law by the installation or use of the product. You must abide by all local, state, and federal laws, including but not limited to vehicle safety, traffic laws, and ordinances. It is your responsibility to know the laws and how they apply to you.

The Buyer is responsible to fully understand the capability and limitations of his/her vehicle according to manufacturer specifications, warnings and instructions and agrees to hold SuperATV® harmless from any damage resulting from failure to adhere to such specifications, warnings and/ or instructions. The Buyer is also responsible to obey all applicable federal, state, and local laws and ordinances when operating his/her vehicle while using this product, and the Buyer agrees to hold SuperATV® harmless from any violation thereof.

Need help with your installation?



sales@superatv.com



www.superatv.com



1-855-743-3427



8:00am - 9:00pm EST M-Th
8:00am - 7:00pm EST Friday
9:00am - 2:00pm EST Saturday

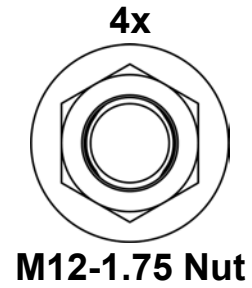
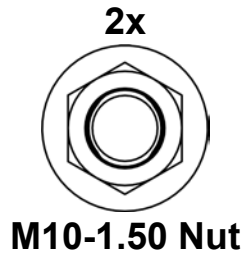
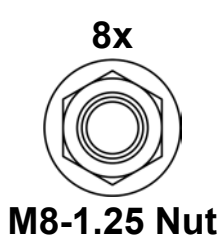
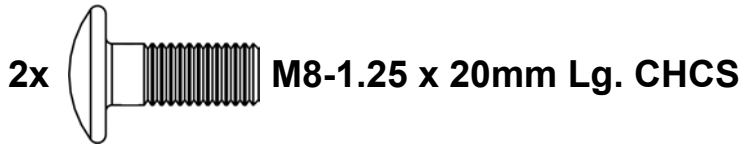
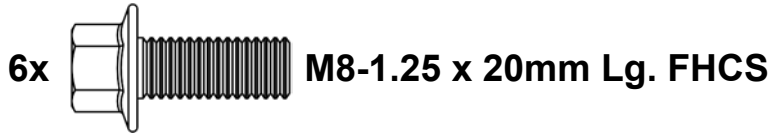
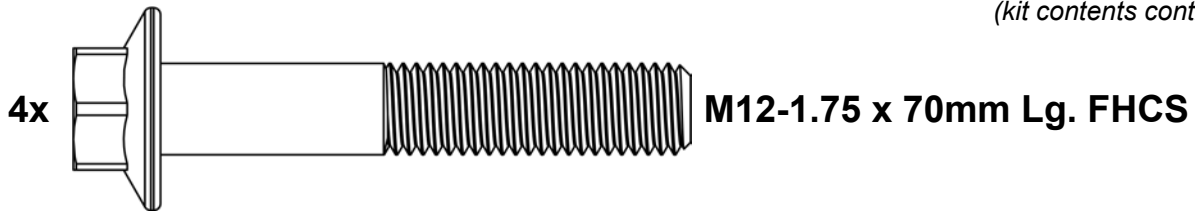
Read instructions and view illustrations before beginning.

Thank You

For Choosing



(kit contents continued)

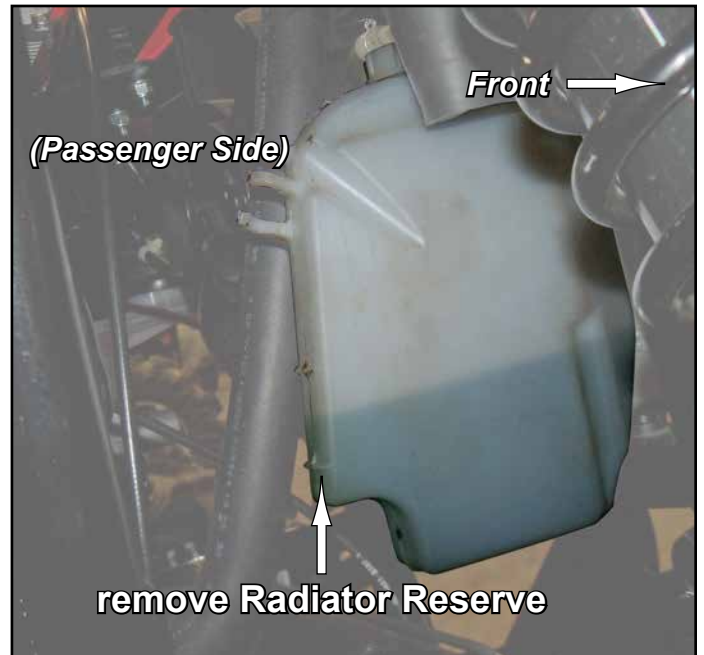


FRONT: Keep all components removed from machine. Do not tighten hardware completely unless noted.

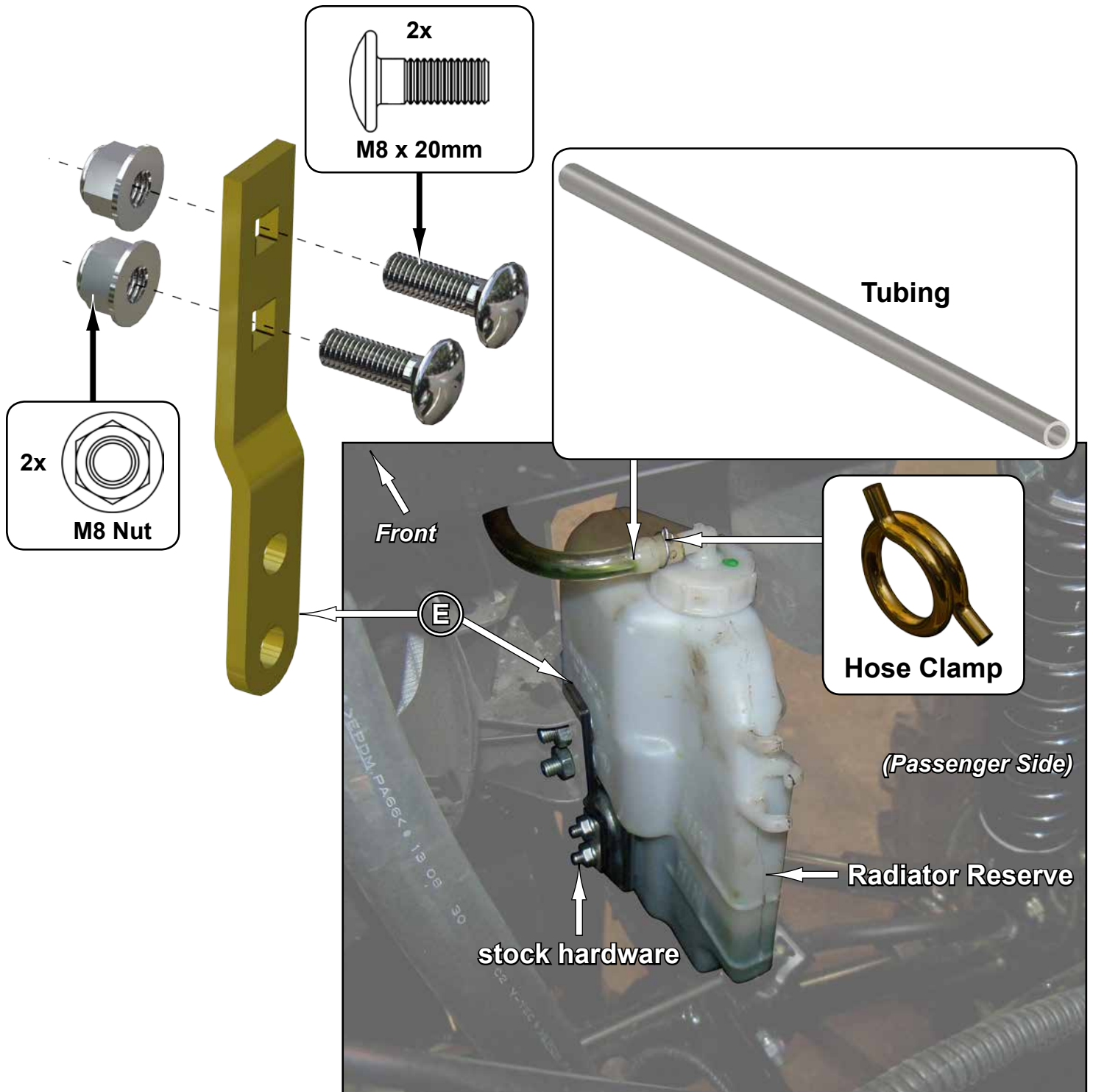
- Raise front off ground, secure with jack stands, remove Wheels, and remove Shocks from Frame.



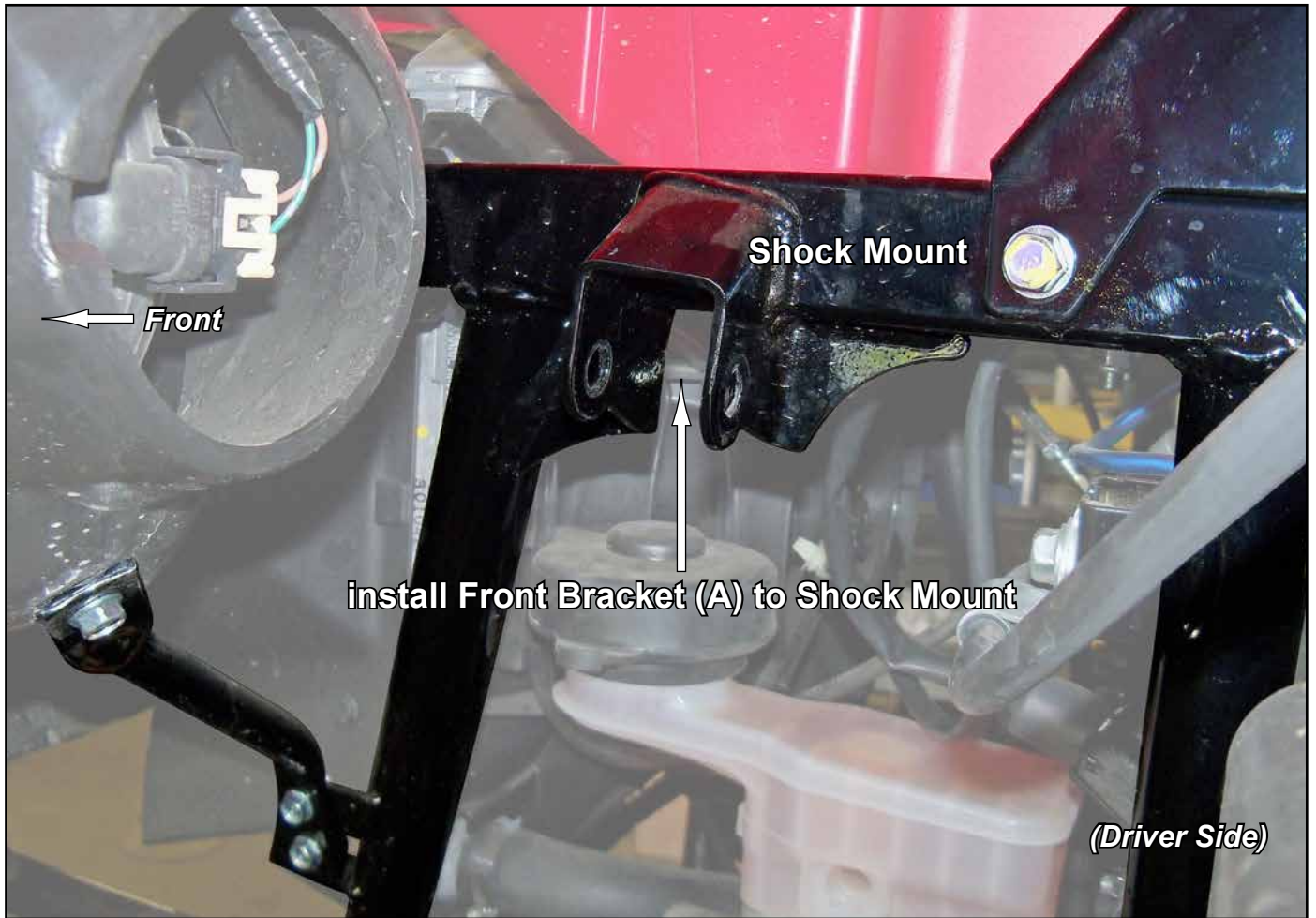
- Remove Radiator Reserve and Tube.



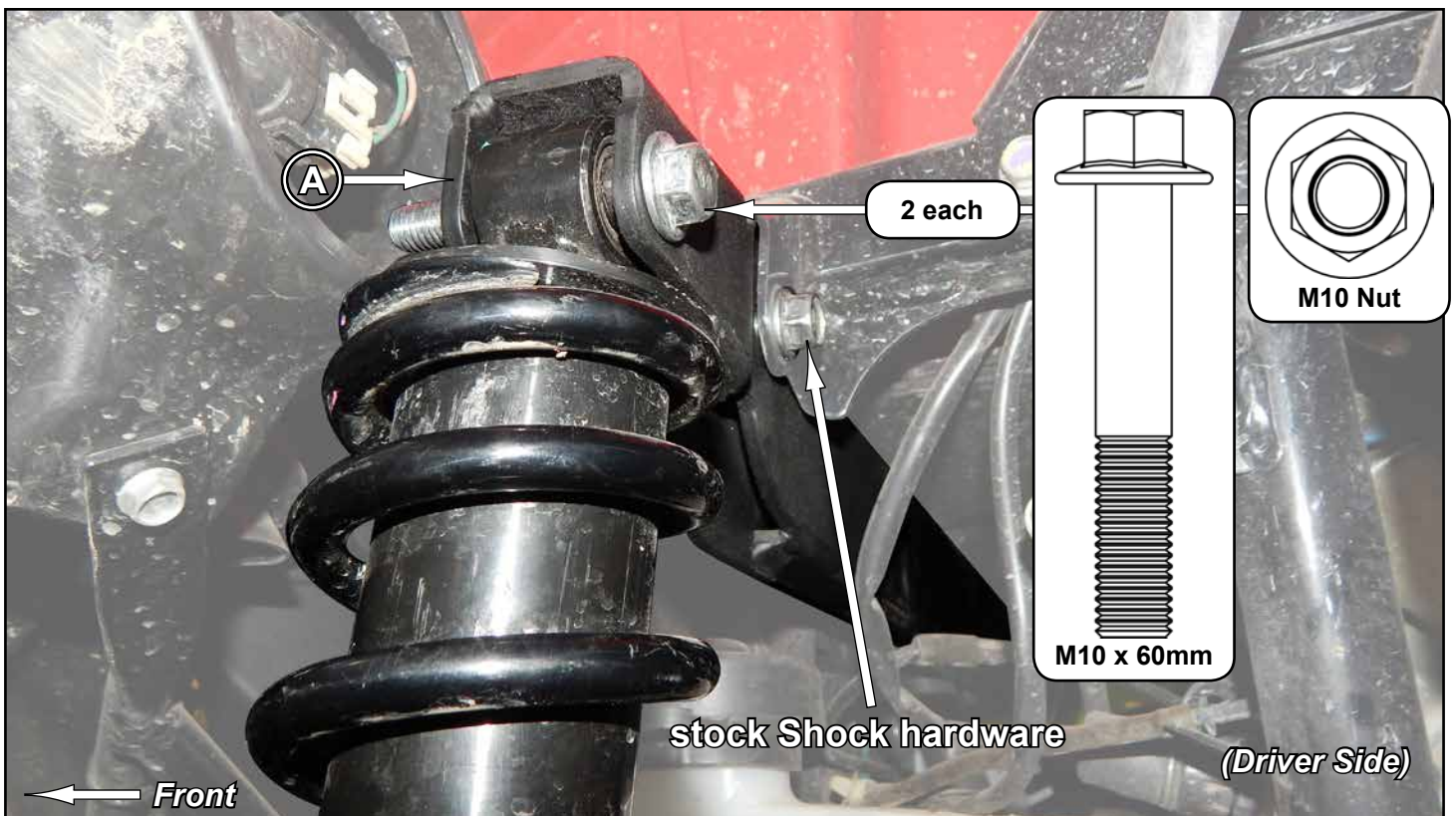
- Install Radiator Reserve to Radiator Reserve Bracket (E) with stock hardware.
- Install Radiator Reserve Bracket (E) to stock Radiator Reserve location with hardware shown.
- Install supplied Tubing to Radiator and Radiator Reserve with supplied Hose Clamps.



- Install Front Bracket (A) to Shock Mounts with stock Shock hardware.

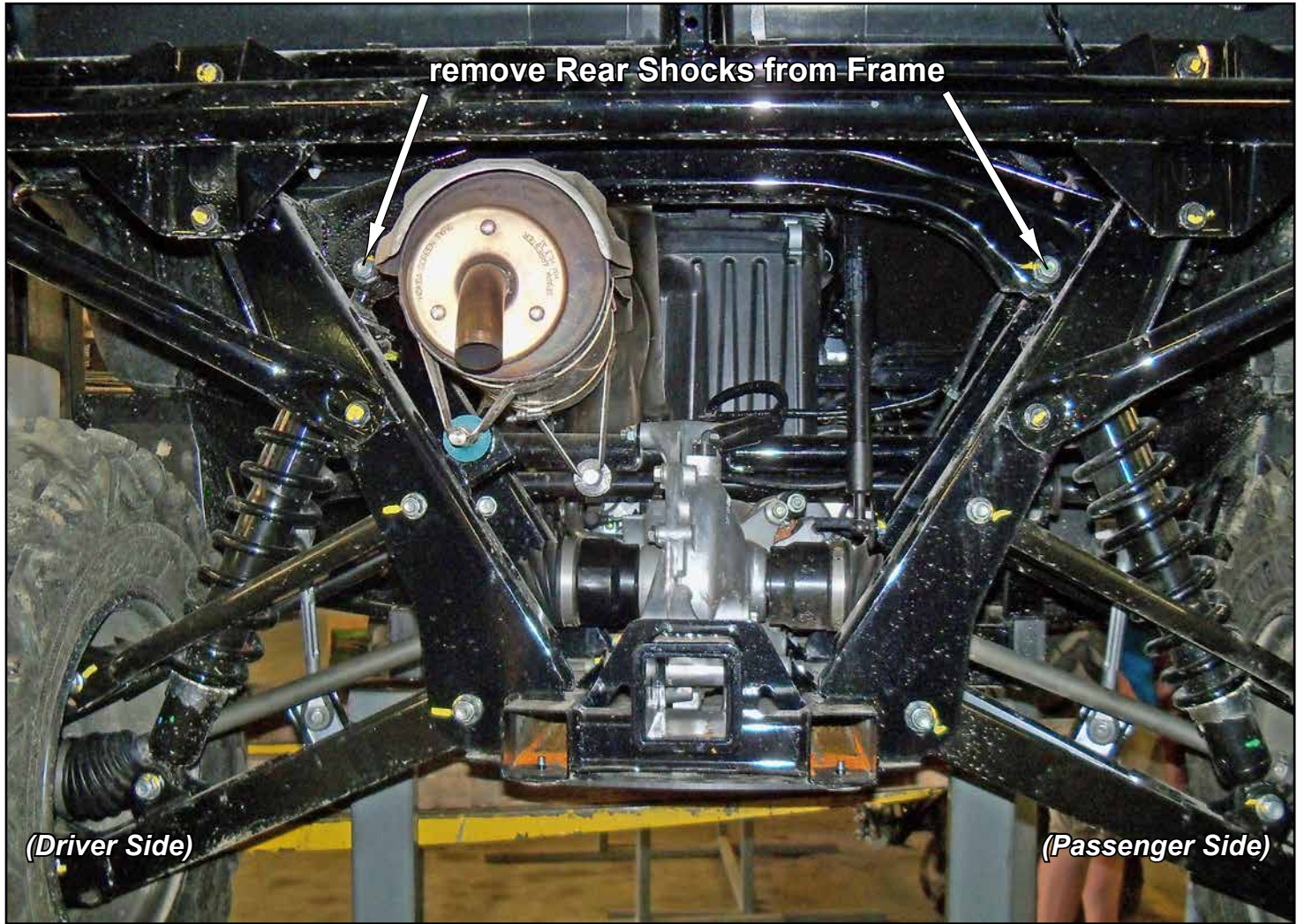


- Install Shocks to Front Bracket (A) with hardware shown.
- Tighten hardware completely and reinstall Wheels.



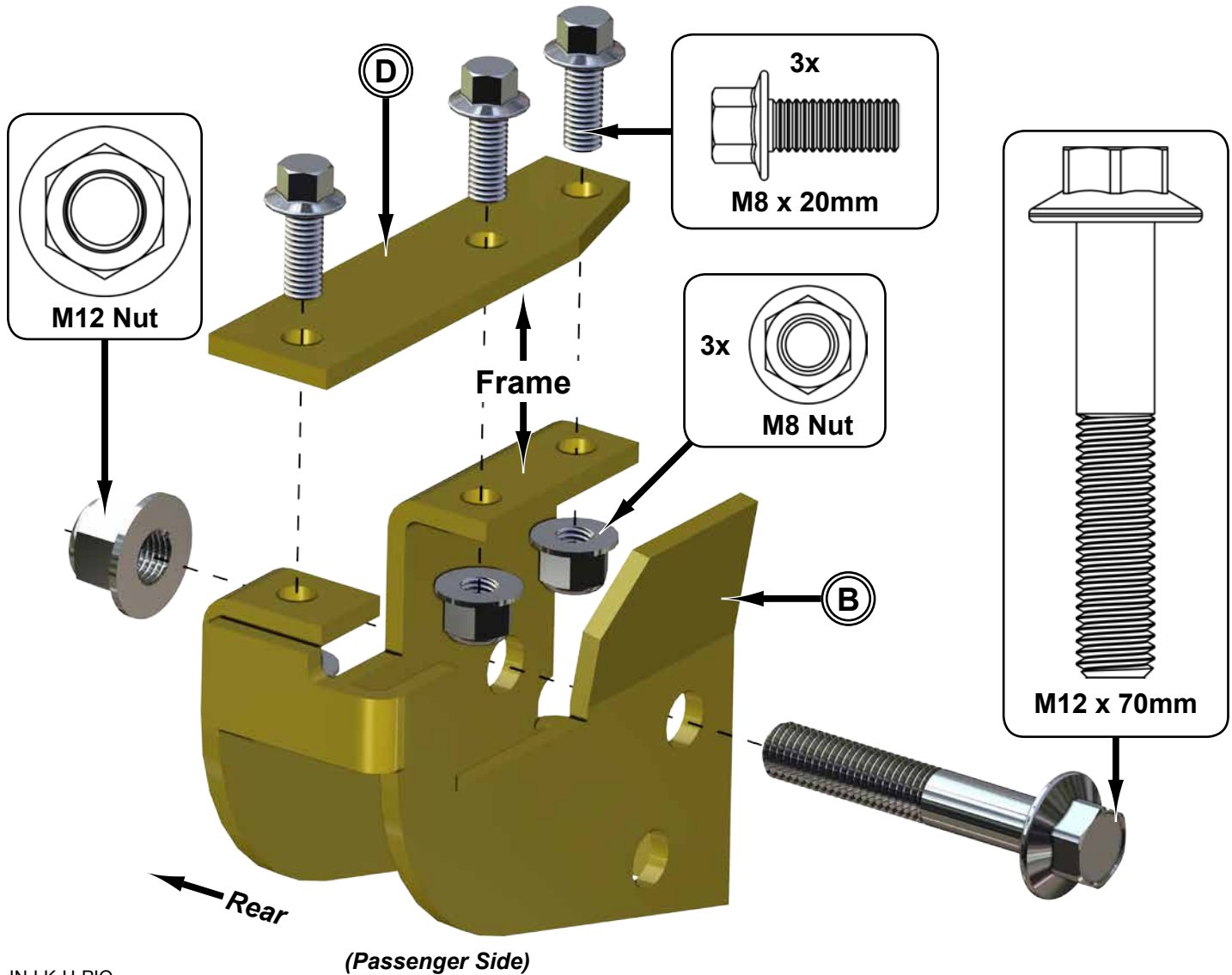
REAR: *Keep all components removed from machine. Do not tighten hardware completely unless noted.*

- Raise off ground, secure with jack stands, remove Wheels, and remove Shocks from Frame.
Completely remove driver side Shock from machine.

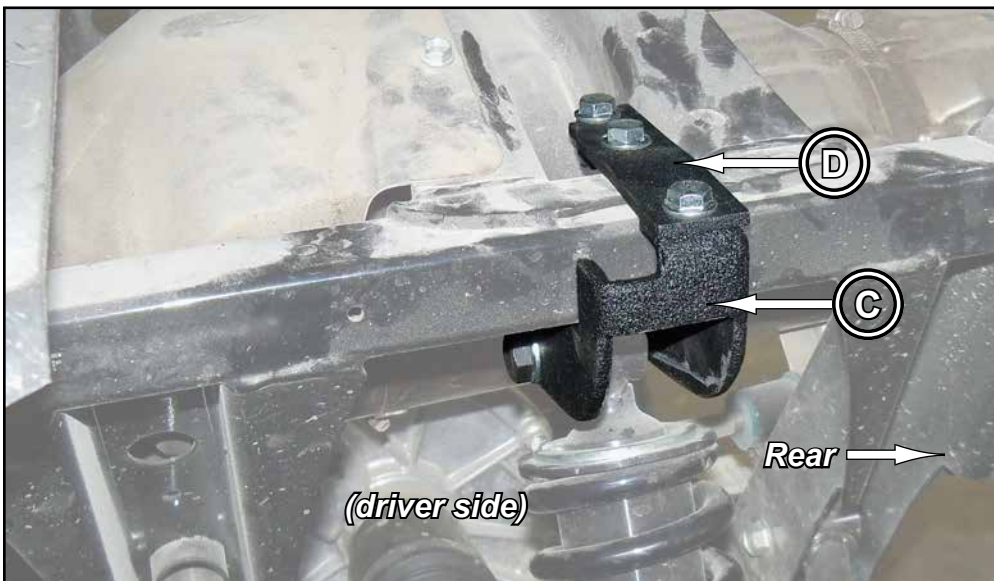
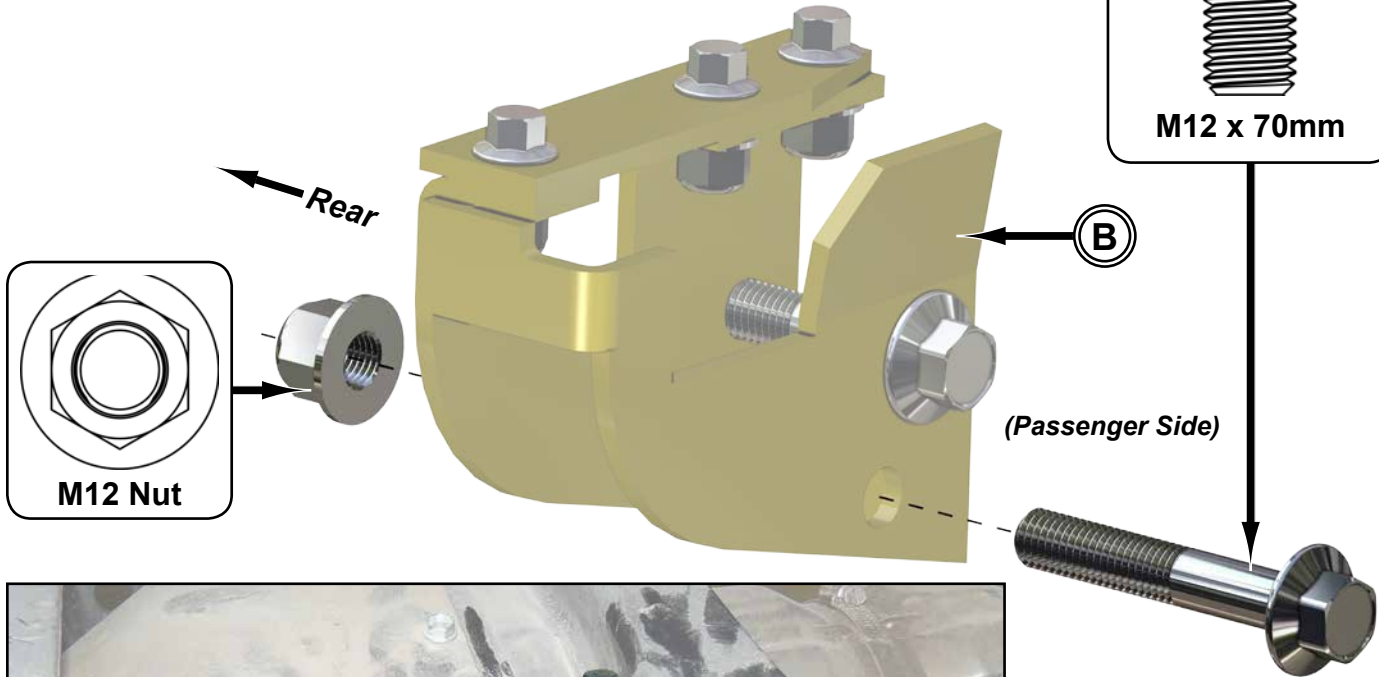
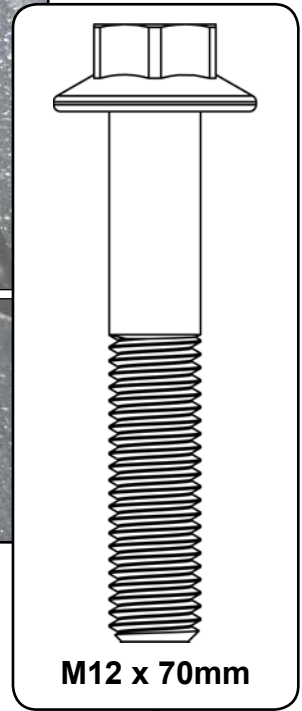
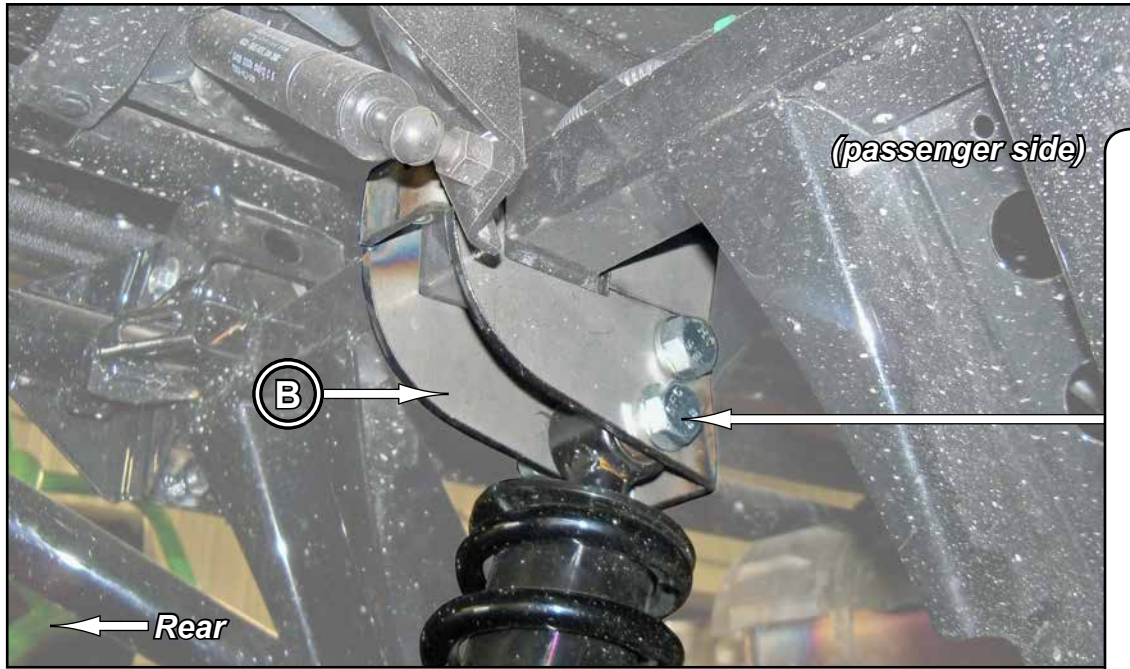




- Install Right Rear Bracket (B) to Shock Mount with hardware shown.
- Place Top Plate (D) onto Frame and secure to Right Rear Bracket (B) with hardware shown.
- Repeat steps for opposite side.



- Install Shocks to Rear Brackets (B)(C) with hardware shown. Secure driver side Shock to A-Arm with stock hardware.



- Tighten all hardware completely and reinstall Wheels.